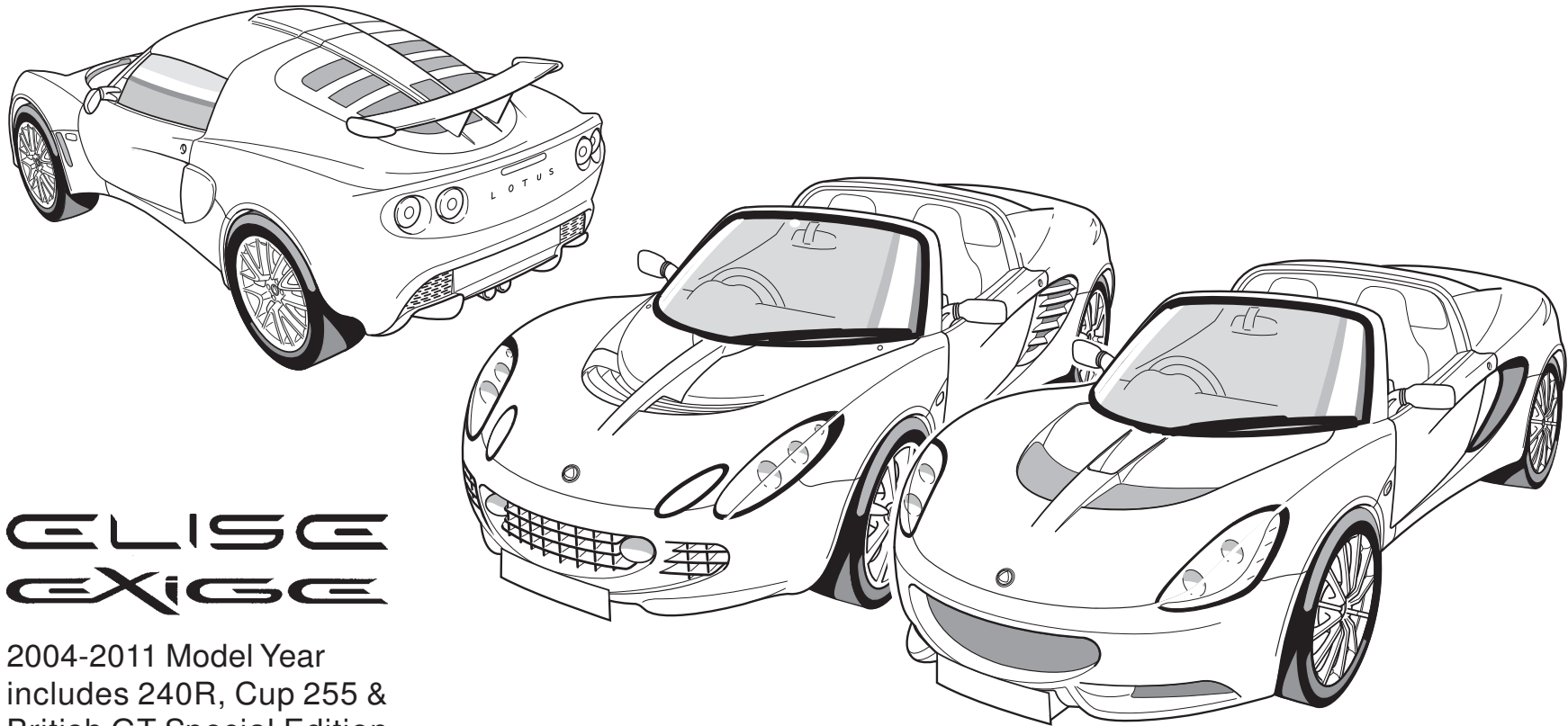




ELISE/EXIGE 2004-2011MY SERVICE PARTS LIST

(Toyota 1ZZ/2ZZ engine)



ELISE
EXIGE

2004-2011 Model Year
includes 240R, Cup 255 &
British GT Special Edition
supplements

Technical Publications, Lotus Cars Ltd, Hethel, Norwich, Norfolk, NR14 8EZ. England.

Tel: +44 (0)1953 608000 www.lotuscars.com

© Lotus Cars Ltd. 2010

Part Number B120T0325J

Updated 2nd May 2017

ELISE

10.00 Body

10.01	Body: Front & Rear Clamshells & Fixings
10.01e	Body: Front & Rear Clamshells & Fixings, Elise 2011 MY
10.01x	Body: Front & Rear Clamshells & Fixings, Exige
10.02a	Body: Sill Panels, Windscreen Frame & Rear Bulkhead
10.04	Crash Structures
10.09a	Front Services Access Panels
10.09b	Front Services Access Panel, Elise 2011 MY
10.11	Tailgate & Release Mechanism
10.11c	Engine Cover Lid & Release Mechanism, Elise 2011 MY
10.11x	Tailgate & Release Mechanism, Exige
10.13x	Engine Compartment Finisher Panels, Exige
10.15	Door Shells, Beams, Hinges
10.17	Door Latch Mechanism
10.20	Rear Window Shroud & Fixings
10.23	Bumpers, Valences Spoilers & Aerofoils
10.23c	Bumpers, Federal Compliant, '07.5 MY onwards
10.23x	Spoilers & Aerofoils, Exige
10.25	Undertray & Diffuser
10.25a	Undertray & Diffuser, Elise 2011 MY
10.31	Towing Strut/ Hook

11.00 Glazing and Seals

11.01	Windscreen, Door Glass, Seals & Weather Strips
11.02	Door Window Lift Mechanism

12.00 Exterior Fittings

12.01	Wheelarch Liners
12.02	Soft Top Roof, Cant Rails, Roof Bows
12.03	Grilles and Louvres
12.03a	Grilles and Louvres, Elise 2011 MY

12.03x	Grilles and Louvres, Exige
12.04	Roof Panel, Seals & Fixings
12.04x	Roof Panel, Seals & Fixings, Exige
12.05	Decals, Badges & Protective Film
12.05a	Decals, Badges & Protective Film, Elise 2011 MY
12.05x	Decals, Badges & Protective Film, Exige
12.07	Licence Plate Mountings
12.07a	Licence Plate Mountings, Elise 2011 MY
12.09	Exterior Driving Mirrors

13.00 Seats & Seat Belts

13.01	Seat Runners
13.02	Seat Assemblies, front
13.27	Seat Belts, front

14.00 Pedal Box & Fascia

14.01	Pedal Box, Pedals, Throttle Control
14.01a	Pedal Box, Pedals, Electronic Throttle Control
14.03	Footrests
14.05	Fascia Structure & Supporting Hardware
14.05b	Fascia Structure & Supporting Hardware, Twin Airbag
14.10	Instrument Cowling/Binnacle

15.00 Interior Trim

15.05	Interior Driving Mirror & Sunvisors
15.11	Interior Trim & Stowage Provision
15.13	Front Door Trims
15.18	Interior Trim, Chassis Trim Panels
15.19	Centre Tunnel Trim, Gear Lever Gaiters/Shrouds
15.24	Luggage Compartment Carpet
15.30	Carpeting & Mats

ELISE

16.00 Sound Insulation

16.01 Passenger Compartment Sound Insulation

17.00 Electrical

17.01 Harnesses, Leads
17.03 Horn, Inertia Switch, Modules, Fuses & Relays
17.05 Interior Switches, Auxiliary Power Socket
17.06 Engine Management & Sensors
17.06b SIR Inflator Modules
17.07 Instruments, Tell Tales, & Displays
17.11 Exterior Lamps, Except Headlamps
17.11a Exterior Lamps, Except Headlamps, Elise 2011 MY
17.13 Headlamps
17.13a Headlamps, Elise 2011 MY
17.17 Interior Lamps
17.21 Windscreen Wiper Motor, Wipers & Washers
17.27 In Car Entertainment
17.31 Battery, Clamps, & Cables
17.33a Security Alarm System, Cobra
17.33b Security Alarm System, PFK, Parking Sensors & Camera

18.00 Heating, Ventilation, Air Conditioning

18.01 Heater/ Air Conditioning Assemblies, Housings
18.03 AC Components, Pipes, Hoses
18.05 Heater, Pipes, Hoses
18.07a AC Interior Blower Motor
18.09a AC/Heater Driver Operated Controls
18.12 AC/Heater Air Distribution Plenum
18.13 Air Trunking, Ducts & Ventilators
18.14 AC Air Recirculation System
18.15 Auxillary AC Unit

19.00 Labels & Literature

19.01 Labels, Certificates, Literature etc.
19.03 Owner's Handbooks & Service Notes Manuals

30.00 Chassis

30.01 Chassis, Subframes
30.02 Seat Belt Mounting Frames, Stays

31.00 Suspension

31.01 Front Suspension, Incl. Hubs
31.03 Rear Suspension, Incl. Hubs

32.00 Steering

32.01 Rack & Pinion, & Lower Column
32.05 Upper Column, Steering Wheel

33.00 Brakes

33.01 Brake Discs, Calipers, & Parking Brake Assembly
33.01a Brake Discs & Calipers, AP Racing options
33.03 Master Cylinder, Servo, ABS Controller, Pipes & Hoses
33.05 Parking Brake Mechanism

34.00 Wheels & Tyres

34.01 Wheels, Tyres & Valves
34.01b Wheels, Tyres & Valves, Elise 2011 MY

40.00 Engine

40.00 Engine Assemblies
40.01 Engine Block & Oil Pick Up
40.01a Engine Mounts
40.02 Gaskets & Sealants, Top Overhaul Set
40.02a Gaskets & Sealants, Bottom Overhaul Set

ELISE

40.03	Sump Assembly
40.05	Cylinder Head , Valves, Springs
40.07	Camshafts, Tappets, Cam Cover
40.07d	Cam Cover, Breather Pipes/Hoses, Supercharged Engine
40.08	Camshaft Drive Chain & Sprockets
40.09	Pistons, Con-rods, Liners
40.11	Crankshaft, Bearings, Flywheel
40.13	Water Pump Assembly, Thermostat
40.15	Lubrication System
40.15c	Accusump, Hoses & Fittings
40.17	Ignition System, Spark plugs & Plug Top Coils
40.19	Alternator and Starter Motor
40.21	Exhaust Manifold
40.23	AC Compressor

41.00 Belts and Pulleys

41.03	Auxiliary Drive Belts & Pulleys
-------	---------------------------------

42.00 Induction Systems

42.01	Airboxes, Trunking & Air Filters
42.04	Throttle Body, Mechanism & IAC Valve
42.05	Fuel Injection System
42.07	Inlet Manifold, Plenum & gaskets
42.07d	Inlet Manifold, Supercharged Engine
42.09	Supercharger
42.09a	Supercharger, Elise SC (Exige Aftersales Kit)

44.00 Fuel System

44.01	Fuel Tanks, Filler
44.01d	Fuel Tanks, Filler, USA/Canada
44.03	Fuel Pump; Filter, Pipes

44.05	Charcoal Canister & Evaporative Loss System.
44.05c	Charcoal Canister & Evap. Loss System, USA/Canada

45.00 Exhaust

45.01	Exhaust System
45.05	Heatshields

46.00 Cooling

46.01	Engine Cooling System & Fan
46.01c	Engine Cooling System 2ZZ,1ZZ powertrain
46.03	Oil Cooler/Heat Exchanger & Pipes
46.10a	Intercooler & Ducting

47.00 Transmission

47.01	Clutch & Release Mechanism
47.03	Transmission Assembly
47.05	Gearchange Mechanism, External
47.06	Gear Selector Mechanism, Internal
47.06a	Gear Selector Mechanism, Internal, 5 speed
47.07	Gears, Shafts & Bearings
47.07a	Gears, Shafts & Bearings, 5 speed
47.11	Final Drive & Bearings
47.15	Driveshafts & Seals

60.00 Special tools

60.01	Tool Kit
60.01a	Diagnostic Equipment
60.02	Special Tools
60.03	Fire Extinguisher, Gulf States
60.03x	Fire Extinguisher Kit

ELISE

80.00 Bulk Items

80.20a Touch-in Paint Pencil Range

FOREWORD

This publication has been designed for use by Lotus Dealers, and may be updated periodically by the issuing of update packages to the dealer network. Lotus policy is one of continuous product improvement and the right is reserved to alter specifications at any time without prior notice.

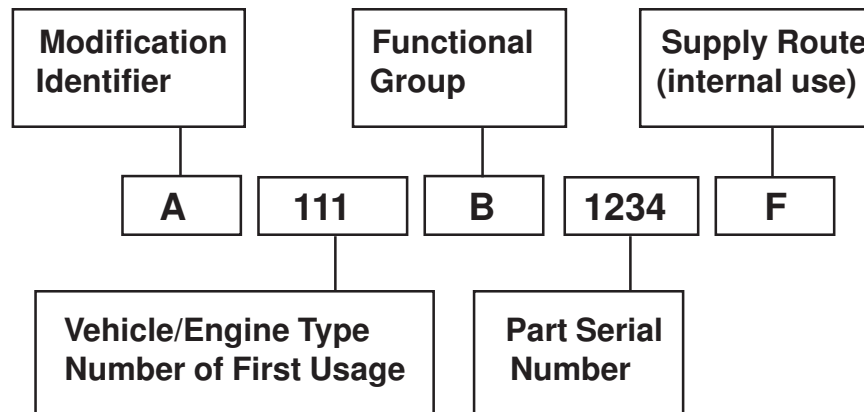
Whilst every care has been taken to ensure correctness of information, it is impossible to guarantee complete freedom from omissions and errors, or to accept liability arising from such errors or omissions, but nothing herein contained shall affect your statutory rights.

USE OF THE PARTS LIST

This parts list covers the Toyota powered Elise & Exige range, 2004 model year onwards. The manual is arranged in function groups, as defined by the Contents page, and may sometimes use several versions of the same function group to accommodate model variations - take care to establish the full vehicle specification in order to properly identify the applicable parts list section.

PART NUMBERS

Part numbers used in this publication are in the format as follows:



Modification Identifier: This letter identifies a version or modification of the part. Part numbers with different prefix letters may or may not be interchangeable - refer to the remarks and option columns.

Vehicle/Engine Type Number: The type number indicates either the model or engine type on which the part was first used.

026, 036, 045, 500....Elan	082....Esprit Turbo	111....Elise	122....Exige 2	131....Elise S (1ZZ)	907....4 cyl. 2.0 NA
050....Elan+2	083....Elite S2	340....340R	123....Exige USA	132....Evora	910....4 cyl. 2.2 turbo
046, 054, 065, 074....Europa	084....Eclat S2	117....Elise 2 (Rover)	124....Europa 2006	138....Exige V6	912....4 cyl. 2.2 NA
075....Elite S1	085....Esprit S3	117....Elise 2001 MY	127....2-Eleven	702....Exige V6 Cup	920....4 cyl. 2.0 turbo
076....Eclat S1	089....Excel	120....Elise111R	128....Exige S (euro)	704....Elise Cup	918....V8 3.5 turbo
079....Esprit S1/S2/S2.2	100....Elan 1990	121....Elise USA	129....Exige S (fed)	708....3 Eleven	

Functional Group: A single letter indicating the functional area of the parts first use

A = Chassis

B = Body

C = Front Suspension

D = Rear Suspension

E = Engine

F = Transmission

G = Wheels & Tyres

H = Steering

J = Brakes

K = Cooling

L = Fuel System

M = Electrics

P = Heater & AC

Q = Clutch

R = Final Drive

S = Exhaust

U = Hard Trim

V = Soft Trim

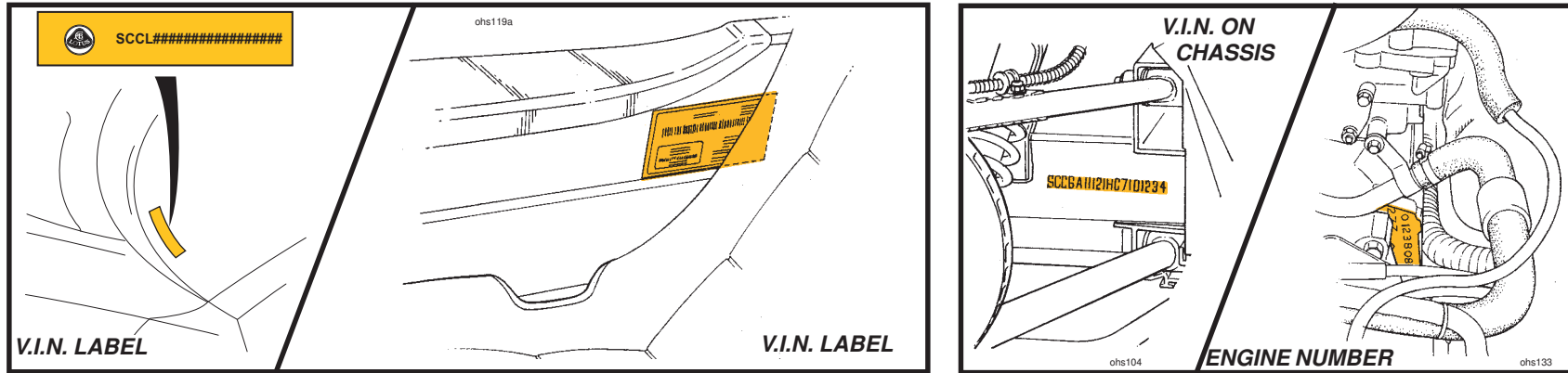
W = Standard Fixings

Updated 3rd May 2016

VEHICLE IDENTIFICATION NUMBER & ENGINE NUMBER

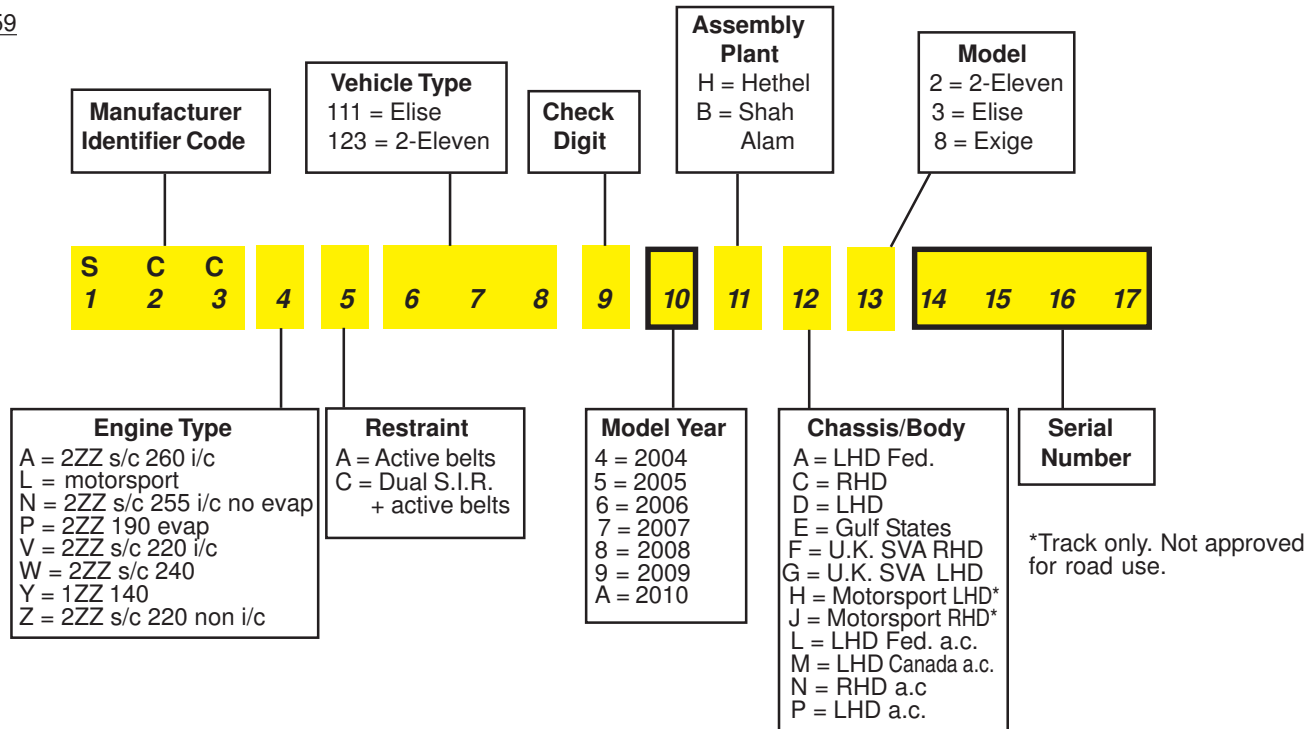
The Vehicle Identification Number (V.I.N.) is located on the left hand side of the windscreen and is printed on a label stuck to the chassis sideframe alongside the driver's seat, it is also stamped on the chassis in the right hand front wheelarch area, viewable with the front wheels turned to full right lock. The engine number is marked on a vertical patch at the right hand side of the rear face of the cylinder block, adjacent to the clutch housing.

Both numbers should always be quoted with any vehicle enquiries, as Factory records are filed against V.I.N., and specification change points are identified by V.I.N. or engine number. The vehicle licence number should be considered irrelevant, since it may not accurately reflect the vehicle age, and may also be changed during the car's life.



The V.I.N. comprises 17 characters, coded in accordance with European Economic Community (EEC) directives. For change point identification in Service Notes and Service Parts Lists, characters 10 (model year) and 15 - 17, or 14 - 17 (serial number) will be quoted.

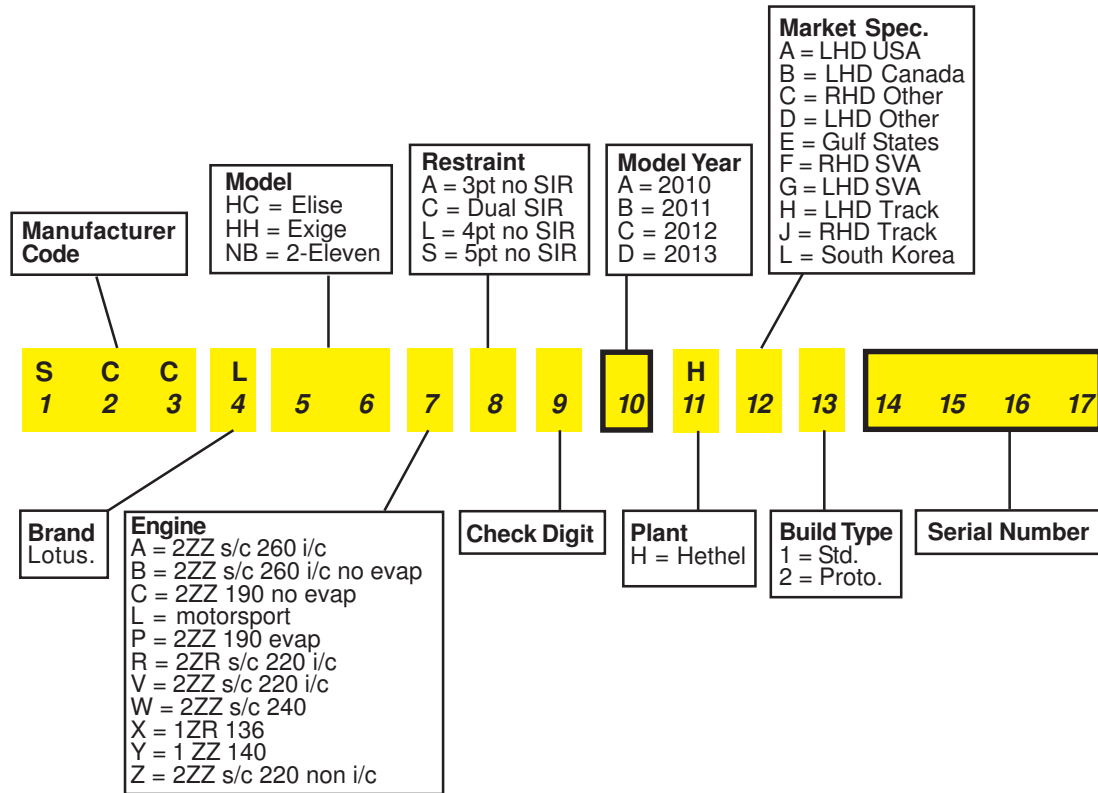
2004 M.Y. - 2010 M.Y. serial no. 0359



ELISE

Updated 2nd March 2015

2010 M.Y. serial no. 0360 to 2013 M.Y. serial no. 0275



ELISE

Updated 2nd March 2015

MODEL HISTORY MILESTONES

Elise 111R Introduction: January 2004

VIN character 4 = P; Character 13 = 3; Serial number from 0970

Note that the serial number sequence is shared with other Elise variants.

Changes from previous model include: Toyota powertrain with 1.8 litre VVTL-i engine and 6-speed transmission. Twin exhaust tailpipes exiting through centre of diffuser. Larger fuel tank with new pump. Revised chassis rail rear ends, new rear subframe, revised seat belt mounting frame backstays. Revised rear suspension wishbones, springs and dampers. ABS brake control with vacuum servo. Revised front bonnet grilles and access covers.

2004 Exige Introduction: March 2004

VIN character 4 = P; Character 13 = 8; Serial number from 1092

Note that the serial number sequence is shared with other Elise variants.

Differences compared with Elise 111R include: Restyled front and rear clamshells with fixed roof and strut mounted rear aerofoil. Front body splitter panel. Re-styled road wheels, wider on the front, and Yokohama A048 tyres.

2005 M.Y. Elise for North America: May 2004

VIN character 10 = 5; Character 12 = L; Serial number from 0001

Note that the serial number sequence is shared with other Elise variants when '05 M.Y. is adopted for those models later in the year.

Differences compared with Elise 111R include: Driver and passenger airbags, pyrotechnic seat belt pre-tensioners; Re-styled fascia and dashboard structure; Front speakers moved onto top surface of fascia, stowage pockets incorporated into dashboard end panels, fixed windscreen demist vents. Engine start button in driver's side switch panel. Revised springs and dampers, Yokohama AD07 tyres. Side marker lamps on front and rear wheelarch lips. Revised fuel system with fuel filler flap.

Lotus Sport Exige 240R: March 2005

Limited edition of 50 units produced as post registration official factory conversions of '05 Exige by the Lotus Sport workshops at Hethel, for U.K. and certain overseas territories.

Differences compared to standard Exige include: 243 bhp engine up-grade using Eaton M62 supercharger with integral by-pass valve, air/air chargecooler and fifth fuel injector. Re-programmed ECU. Accusump. Stiffened springs & Ohlins adjustable dampers. Adjustable front anti-roll bar. Chassis rear brace kit. Forged 5-spoke widened roadwheels & Yokohama A048 tyres.

Sport Yellow body colour with black wheels, or Sport Black body with silver wheels. Black interior with yellow insets. 4-point harnesses, T45 roof hoop and backstays.

2006 M.Y Introduction: September 2005

VIN character 10 = 6; Serial number restarts at 0001, common to all variants.

Introduction of USA Exige and Canadian Elise.

5-speed Elise remains unchanged

Differences between 6-speed '06 and '05 include: Electronic throttle control (using no mechanical cable). Optional Lotus Traction Control (LTC) or Limited Slip Differential (LSD) with LTC. Non-USA cars; Standard fit Yokohama AD07 tyres. Optional forged wheels with new 6.0 in. front size. LED rear lamp clusters incorporating reflectors (formerly separate), and commonised USA type CHMSL. ProBax seat foams. New body colours. USA & Canadian Elise; revised fuel tank and evap. loss system. Canadian Elise uses daytime running lamps and clutch down start allow switch. USA Exige similar to non-USA, but with USA airbag interior.

Sports Racer: October 2005

Special paint versions of '06 M.Y. 111R in either Ardent Red with triple Monaco White stripes, or Nightfall Blue with twin Monaco White stripes. 50 off each version with unique build plate on sill.

Exige Cup 190 & 240: January 2006

Limited number of competition oriented (190) or supercharged (240) models produced as post registration official factory conversions of '06 Exige by the Lotus Sport workshops at Hethel for U.K. and certain overseas territories. Not identifiable from VIN coding.

Differences compared to 240R (see above) include: Electronic throttle, high flow port injectors (no 5th). Cup 240 fitted with torque sensing LSD with LTC. Cup 190 uses friction plate LSD. Standard Exige wheels in 'Hi-power' silver. Race cars fitted with FIA 6-point roll cage, remote kill switch, fire extinguisher system. Standard body colours.

Exige S: February 2006

VIN character 4 = V

Factory built type approved supercharged Exige. Not USA.

Differences to standard Exige include: 221 PS supercharged engine similar to 240R but using electronic throttle, smooth flow inlet adaptor, standard injectors without 5th injector, modified downpipe, revised muffler with single oval tailpipe. Enlarged roof duct for chargecooler. Body colour splitter, scoops and aerofoil. 'Exige S' decal on rear transom, 'S' on front quarter panels.

USA Lotus Sport Elise: March 2006

Limited edition of 50. Saffron Yellow with twin Storm Titanium stripes. Saffron Yellow centre console. Yellow highlighted sports seats, 'carbon' door trim inserts. Harness bar, T45 seat belt mounting frame. Motorsport mats, stalks, winders and parking brake sleeve. Traction control, supersport suspension, black forged wheels, Yokohama A048s, braided brake hoses, silicone fluid, motorsport clutch. Lotus Sport decals and Union flags. Lotus Sport chassis plate.

2007 M.Y. & Elise S Introduction: June 2006

VIN character 10 = 7; Serial number restarts at 0001, common to all variants.

VIN character 4 identifies engine type. Elise S = Y

Differences between '07 Elise/Exige and '06 include: Elise 111R renamed Elise R; New sealed headlamp units; raised LOTUS lettering on rear transom; additional screen pillar seal; Alpine audio; improved HVAC ducting. New model Elise S uses 1ZZ-FE engine producing 100 kW, with variable inlet timing but fixed valve lift, plastic inlet manifold, revised intake snorkel, revised exhaust manifold and downpipe, smaller tailpipes within standard trims. Elise S also uses new C56 5-speed transmission and 6-spoke roadwheels sharing styling of standard '01 model wheels.

USA Exige S: October 2006

The specification of the USA Exige S is that of the standard USA Exige and option packs, apart from the engine, which is as non-USA Exige S with the following exceptions: High flow port injectors, specific engine programming, 223 PS, 223 Nm. Carry-over features from the non-USA Exige S include exhaust downpipe and optimised muffler with single oval tailpipe. roof air intake funnel mouth.

Exige S British GT Special Edition: November 2006

Celebrating Lotus Sport Cadena's 2006 British GT3 Team Championship victory

Differences to standard Exige S include: Torsen LSD & Lotus Traction Control. Chassis rear brace kit. T45 roof hoop & stays. Braided brake hoses. Level 1 sports exhaust. Forged 7-bifurcated spoke silver wheels. Lotus Sport black metallic body colour with Sport yellow & Arctic silver quad stripes, supplier decals on sills, Lotus Sport visor strip, Cadena decals on front wings, GT3 decal on rear clam., GT3 winners decal with unique build number on rear quarter panel, Lotus sport build plate with build number. 4-point harnesses,

black/yellow door trims and unique black/yellow trimmed seats. Optional a.c. Optional GT pack available as post registration official factory conversion by Lotus Sport workshops at Hethel for U.K. and certain overseas territories, includes: High flow injectors, different ECU & unique calibration for 243 bhp, Accusump, 2-way adjustable Ohlins dampers with uprated springs, 308mm front discs & 4-piston calipers, Pagid pads, Castrol SRF brake fluid.

USA Low Speed Damage Mitigation: January 2007

From '07 USA VIN serial no. 1579

To meet USA safety legislation, modifications made to Elise/Exige: Front; armatures and foam inserts added between crash structure and clamshell. Rear; bumper panel housing foam pads either side of license plate, narrower rear grilles, reinforced boot floor and diffuser support panel, stiffened diffuser.

Some elements commonised for all markets.

Lotus Sport Exige Cup 255: January 2007

Produced as post registration official factory conversions of '07 Exige S by the Lotus sport workshops at Hethel for certain territories, excluding U.K. and USA. Not identifiable from VIN coding.

Based on Exige Cup 240 (see above) with the following differences: Power increase to 255 PS by; unique ECU calibration, enlarged chargecooler, extended roof duct, larger air cleaner and intake spout, uprated fuel pump. A.P. Racing 4-piston alloy front calipers, 308mm front discs.

2-Eleven Introduction: May 2007

VIN character 6/7/8 = 123; Character 13 = 2

Extreme, minimalist, track focussed Elise variant based on Exige Cup 255 powertrain componentry, but using a new chargecooler arrangement. Produced in small numbers for U.K. and certain overseas territories. In U.K. only, SVA road going version available. All other territories only for track use, in LHD or RHD.

New body with no doors or roof. Aeroscreen. Rear aerofoil in two versions. FIA compliant roll over bar. Chassis rear brace, unique front top wishbones and steering arms, optional Ohlins suspension. Accusump, twin front oil coolers. Standard LTC, optional variable LTC & Launch Control. Uprated clutch. Odyssey battery. Limited warranty for SVA cars. Extensive options list.

USA Elise Limited Edition 'Type 72D'

Limited edition of 50 cars to commemorate the 35th anniversary of Lotus' F1 1972 World Championship victory with the type 72D.

Phantom black body colour with hand painted gold pinstriping. Rear body spoiler, black diffuser. Gold laurel leaf decal on front quarters, gold 'Elise' and 'Type 72D' decals, gold raised LOTUS lettering, gold/black nosebadge, gold fuel filler cap. Gold Exige 8 split-spoke with Yokohama A048 tyres and sports suspension. Black & gold seats and interior trim details with Limited Edition plaque. Scale model crash helmet.

Club Racer: September 2007

Limited edition of 25 for U.K. Unlimited for Europe.

For U.K., spec. based on '07 Exige S with Sport, Touring and Super Touring packs and a.c.. Sports exhaust supplied for dealer fitment.

For Europe, spec. based on '08 Exige S (see below) with Sport and Performance packs. Forged wheels.

All cars: Hethel track decal on rear transom, Le Mans blue body with Phantom black triple stripe. Black leather and carbon effect trim with colour coded stitching.

Introduction of 2008 Model Year Elise/Exige: October 2007

VIN character 10 = 8. VIN serial number restarts at 0001. Exige N.A. built only to special order.

All cars now with dual airbags and start button in matt charcoal finish fascia. PFK 457 security system with Lotus design transmitter key. Tyre pressure monitoring for USA only. High rpm sequential tell tales. CAN bus diagnostics using laptop Lotus Techcentre. New paint colours. Performance Pack option (VIN character 4 = W) with 240 hp calibration, high flow injectors, big roof scoop, uprated clutch, 4-piston front brake callipers and enlarged front discs, variable traction and launch control (excludes warranty).

Elise S Hethel 40th Limited Edition: October 2007

Commemorating 40 years of production at Hethel. All LHD.

'08 M.Y. Elise S in Burnt Orange with hardtop. Orange body grilles and centre console. Black diffuser and wheels. Black leather seats and door trim with orange stitching. Build plaque. Country decals below side repeater lamps. 7 Union Flag, 6 Swiss, 2 Belgium, 4 French, 10 German, 6 Italian.

Elise 'California' Limited Edition: October 2007

USA only, 25 off Ardent Red with cream/red leather and champagne trim, 25 off saffron Yellow with black leather and champagne trim.

Based on USA Elise with touring pack. Rear body spoiler. Silver front intake grilles, other grilles in body colour. 16-spoke cast wheels in Hi-power silver, AD07 tyres. Lotus roundel and California decals on front wings. Sports seats in cream & red or black leather. Other trim in cream & red or black leather. Hardtop lining in Beige cloth. RHD footwell divider.

Exige Sprint: November 2007

Limited edition of 40 cars for U.K. market, one for each year from 1967 to 2006.

'08 M.Y. Exige S with Sport, Touring and Performance Pack, a.c., black forged wheels, 2-tone paint in Aspen White and either Persian Blue or Saffron Yellow, with gold decal strip and 'Exige Sprint' logo. Union flag on rear body, laurel decal on LHR quarter, colour coded leather seats and trim, embroidered footwell carpet mats. Build plaque on chassis sill.

Introduction of Elise SC: February 2008

Supercharged Elise without chargecooler

VIN character 4 = Z

Based on Elise R, but using new Eaton M45 supercharger rotor pack integrated into inlet manifold, high flow fuel injectors and unique calibration to produce 220 PS. Rear body spoiler, Lotus styled 12 spoke road wheels in 6.0 and 8.0 front/rear widths, standard AD07 tyres. Wheelarch lips on non-USA cars. 'Elise Supercharged' decals on rear transom and front wings.

Lotus Sport Exige Cup 260: February 2008

Fully Type Approved version of Exige Cup 255 (see above).

VIN character 4 = A

Based on Exige S with: Big roof scoop, high output fuel pump, unique calibration to produce 260 PS. Accusump, uprated clutch, Torsen LSD, Variable Traction and Launch control (excludes warranty). 4-piston front brake callipers and enlarged front discs, braided hoses, Bilstein or Ohlins adjustable spring/dampers, stiff adjustable ARB in hard mounts, hi-power silver 16-spoke cast wheels, A048 tyres. FIA compliant battery isolator and plumbed-in fire extinguisher. T45 seat belt anchorage frame. FIA compliant cage and 4-point harnesses supplied separately. **NO** airbags and **none** pre-tensioner 3-point belts. No CDL. Black Alcantara/carbon effect seats and door trim. Build plaque on dash, 'Lotus Sport' decal on front quarter panels, 'Cup 260' decal on rear transom, black diffuser. Restricted warranty.

USA Elise SC '60th Anniversary': May 2008

Limited edition of 60 USA cars to commemorate 60th anniversary of Lotus cars

Based on Elise SC with hard and soft tops, Touring and Sport Packs, supersport suspension, forged wheels, A048 tyres, T45 seat belt frame & harness bar. Body and double stripe paint in BRG/Saffron, Saffron/Black, Black/Arctic, Storm Titanium/Canyon Red. Complimentary trim inserts and 60th Anniversary embroidery. Anniversary decal on rear transom.

Clark Type 25 Elise SC: June 2008

Limited edition of 25 U.K. cars to commemorate 40th anniversary of Jim Clark's death. Donation for each car sold to Jim Clark memorial fund.

Based on Elise SC with hard top and Sport Pack. BRG (B04) with Saffron single centre stripe, Lotus Sport wheels with black spokes and silver rims, A048 tyres. Black & red leather themed interior, with sports seats, wood gearknob and build plaque. Type 25 decal on rear transom, Jim Clark signature on LH buttress and inner door panels, race roundels on doors with Type 25 decals.

2009 M.Y. Introduction: September 2008 (final '08 cars: Elise 2308; Exige 2304; 2-Eleven 22940)

VIN character 10 = 9. VIN serial number restarts at 0001
No changes apart from Cup260

2009 M.Y. Lotus sport Exige Cup 260: October 2008

Lightweight body panels using carbon fibre, rear window deleted from rear bulkhead. Lightweight components incl. battery, c/c U-bends, billet flywheel, new 12-spoke roadwheels in 7 & 8 inch widths, rear subframe with Delta Protect coating, deletion of footwell pads, interior mirror, sunvisors, tailgate strut. HANS approved seats. Body coloured SBAF 'A'. Chassis drilled for front cage. New body graphics.

2010 M.Y. Introduction: May 2009 (final '09 cars: Elise 375; Exige 202; 2-Eleven 57; USA Elise 140; Exige 46)

VIN character 10 = A. VIN serial number restarts at 0001.
Elise range unchanged. Exige S (on USA & Gulf only from 0360): Front clamshell with restyled lower section including larger intake ducts with horizontal vane in each oil cooler duct. New full width body colour front splitter. wider, body mounted rear aerofoil, supported by end plates. All models: reduced emissions and improved economy figures.

2010MY Elise Club Racer: September 2009

Limited edition of 139 vehicles produced for U.K, EU and ROW markets, specification based on the '10MY Elise S 1.6 1ZZ powertrain models.

Exterior: Body as per standard Elise S, but only available in 4 bespoke colours; Sky Blue B124, Elite Yellow B140, Carbon Grey B137, Old English White B71. CR decals to rear transom and LH/RH front clamshell above the side repeaters.

Interior: Bespoke trimming for the Club Racer includes leather trimmed steering wheel with suede effect sections and on-centre marker, gear knob and handbrake produced in a special anthracite anodised finish, body coloured seats, with inset microfibre comfort pads with CR logo decal below the headrest, anodised aluminium mesh effect driver and passenger footmats, top section of centre console body coloured with black painted side sections featuring silver CR logo with painted silver stripe separating black side and body coloured portions.

Steering/Brakes/Suspension/Tyres: As per standard specification for 1ZZ Elise S.
Wheels: 6-spoke alloy wheels in matt Anthracite Grey finish.

Exige S Type 72: December 2009

Celebrates Type 72 twenty GP victories. Limited edition of 20 for U.K., 20 for Europe, plus selected RoW territories. Phantom Black with gold pinstriping, gold Exige S on rear, Type 72 on passenger 'B' panel. Sport and Touring Packs. Machined forged 5-spoke wheels in black and gold. Black microfibre trim with gold stitching. Build plaque with GP win.

Exige Scura/Stealth: January 2010

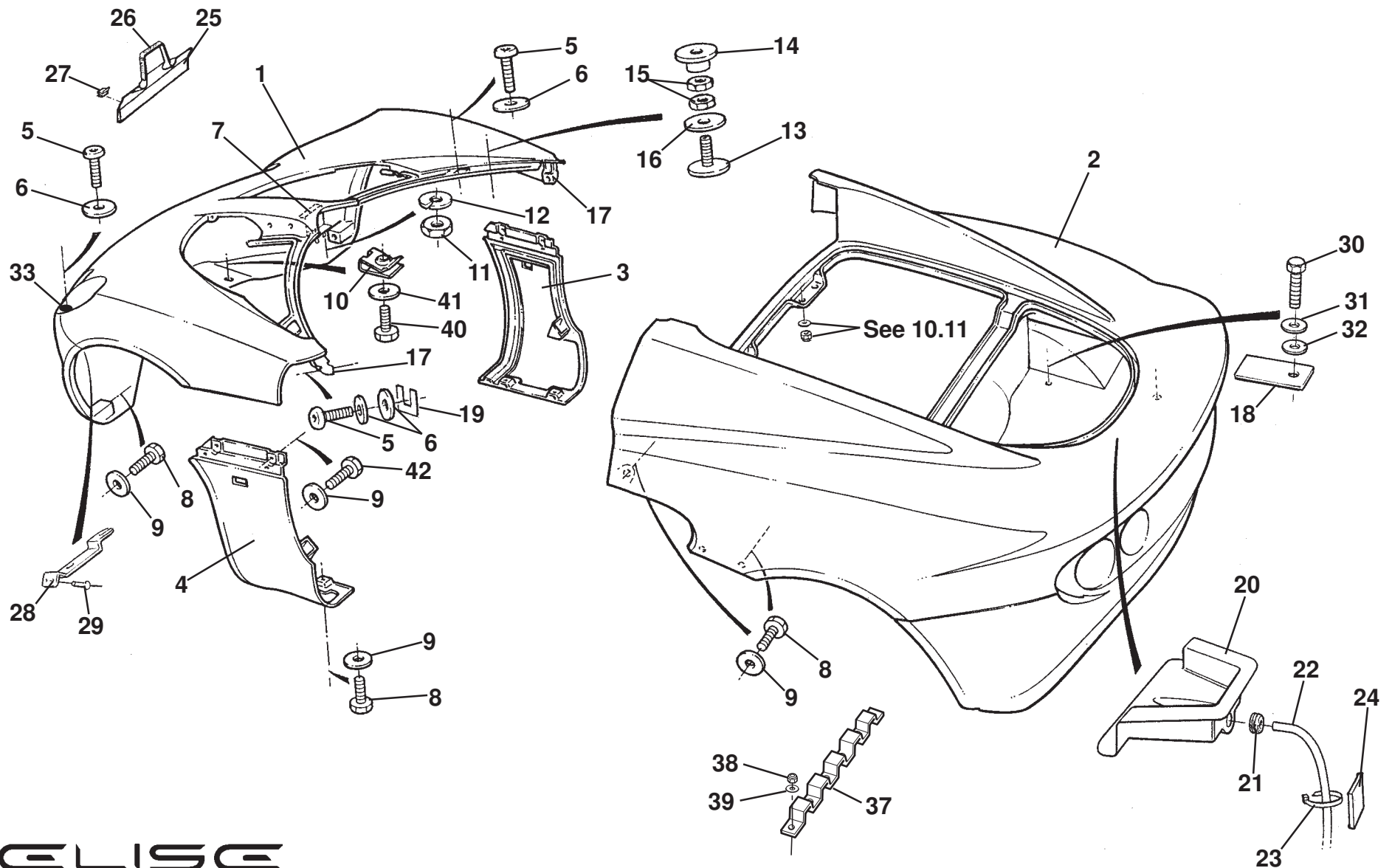
Limited edition of 35 cars for Europe and some RoW territories. Badged as 'Stealth' for Japan. Based on Exige S with Cup 260 features including powertrain, suspension and body.. Soft feel matt black paint finish with gloss Phantom Black triple stripes. Forged 10 splitspoke wheels in matt black. Laquered carbon fibre seat shells and centre tunnel. Anthracite gear knob and parking brake sleeve.

2011 M.Y. Introduction: March 2010 (final '10 cars: Elise 567; Exige 333; 2-Eleven 35; USA Elise 35; Exige 60)

VIN character 10 = B. VIN serial number restarts at 0001.
Exige range unchanged. Changes to Elise range include: Revised front body with enlarged oil cooler intake ducts and chin spoilers, restyled radiator outlet ducts, one-piece lift out access cover, aluminium mesh grilles, separate rear transom panel without faux end grilles, new diffuser. New headlamp units incorporating LED turn lamps and LED daytime running lamps.
New 12-spoke cast roadwheels, or new 5-'Y' spoke forged wheels. Elise S model replaced with 1.6 ltr, 1ZR FAE engine, featuring inlet and exhaust cam VVT-i, and VALVEMATIC inlet valve lift control, Lotus T6 controller; new 6-speed type EC60 transmission; revised rear subframe; optional cruise control.

Elise SC and Exige S RGB Special Editions: September 2010

Limited edition of cars to celebrate the career of Roger Becker (RGB) the former Director of Vehicle Engineering who retired in January 2010 following 44 years of service. Based on the Elise SC and the Exige S with Sports and Touring packs, rear subframe shear panel (Exige S only), Lotus ultra lightweight forged alloy wheels and air conditioning as standard. Produced in four colours, Aspen White, Starlight Black, Solar Yellow & Carbon Grey. RGB special editions are identified by a numbered interior plaque, Roger Becker's signature decals on the side of the bodywork and special monochrome Lotus nose badge.



ELISE
10.01

Updated 27th September 2012

Service Parts List **ELISE**



Function Code 10.01 Body: Front & Rear Clamshells & Fixings

<u>Dep</u>	<u>Part Description</u>	<u>Remarks</u>	<u>Option</u>	<u>Part Number</u>	<u>Qty</u>
01	Front Clamshell, Euro		Prior to '07 MY	E120B0010J	1
01a	Front Clamshell, Euro	Revised headlamps	'07 MY	H120B0010J	1
01b	Front Clamshell, federal	Apertures for side marker lamps	USA/Canada, '05/'06 MY	E121B0003J	1
01c	Front Clamshell, federal	Revised for impact foams	USA, '07 MY	H121B0003J	1
01d	Front Clamshell, Gulf States			A123B0049J	1
01e	Panel Lamp Support LH	Not illustrated, bonded to clam	Prior to '07 MY	D117M0031F	1
01f	Panel Lamp Support RH	Not illustrated, bonded to clam	Prior to '07 MY	D117M0030F	1
01g	Panel Lamp Support LH	Not illustrated, bonded to clam	'07 MY	A120B0153F	1
01h	Panel Lamp Support RH	Not illustrated, bonded to clam	'07 MY	A120B0154F	1
02	Rear Clamshell		From SOP to 10MY	J120B0016J	1
02a	Rear Clamshell, federal	Apertures for side marker lamps	USA/Can. E121B0008K R/B	F121B0009K	1
02b	Rear Clamshell, federal	Order reinforcing plate, item 37	USA/Can, '07.5 MY	H121B0009K	1
02c	Rear Clamshell, Gulf States			A121B0162J	1
03	Door Hinge Cover Panel, RH			A117B0220K	1
04	Door Hinge Cover Panel, LH			A117B0219K	1
05	Screw, M8 x 25, S/S, button hd.			A111W7175F	6
06	Washer, flat, S/S, M8 x 21 x 1.6			A111W4176F	8
07	Bracket, centre front clamshell	Part of clamshell assy.		C117B0193F	1

ELISE

Function Code: 10.01, Page: 1

Updated 2nd February 2015

Function Code 10.01 Body: Front & Rear Clamshells & Fixings

<u>Dep</u>	<u>Part Description</u>	<u>Remarks</u>	<u>Option</u>	<u>Part Number</u>	<u>Qty</u>
08	Screw, M6 x 16, hex. hd.			A075W1028Z	15
09	Washer, flat, M6 x 18 x 1			B082W4018F	17
10	Spirenut, M5			B100W6372F	5
11	Nut, M6			A075W3020Z	2
12	Washer, spring, M6			A075W4035Z	2
13	Spigot, outer fixing, front access panels			A117B0334F	2
14	Shouldered Nut, outer fixing, front access panels			A117B0335F	2
15	Locknut, M10, height adjuster fix.			A075W3024Z	4
16	Washer, flat, M10 x 24 x 1.5, spigot to clam.			A075W4023F	2
17	Bracket, front clamshell	Part of clamshell assy.		C117B0163F	2
18	Shim, boot floor to subframe, 1mm			A116B0423K	As req.
18a	Shim, boot floor to subframe, 2mm			A116B0424K	As req.
19	Shim, front clamshell alignment, 0.5mm			A116B0460K	As req.
19a	Shim, front clamshell alignment, 1.0mm			A116B0461K	As req.
20	Drain Cover, rear			A117B0660K	1
21	Grommet, drain tube			X036B6150Z	1
22	Drain Tube, 4mm			A116M0040V	0.5M
23	Cable tie, tube retention			A075W6038Z	1
24	Base, cable tie			A117W6729F	1
25	Gutter Extension Panel, RHD	See Service Bulletin 2004/16		A117B0703K	1
25a	Gutter Extension Panel, LHD	See Service Bulletin 2004/16		A117B0704K	1

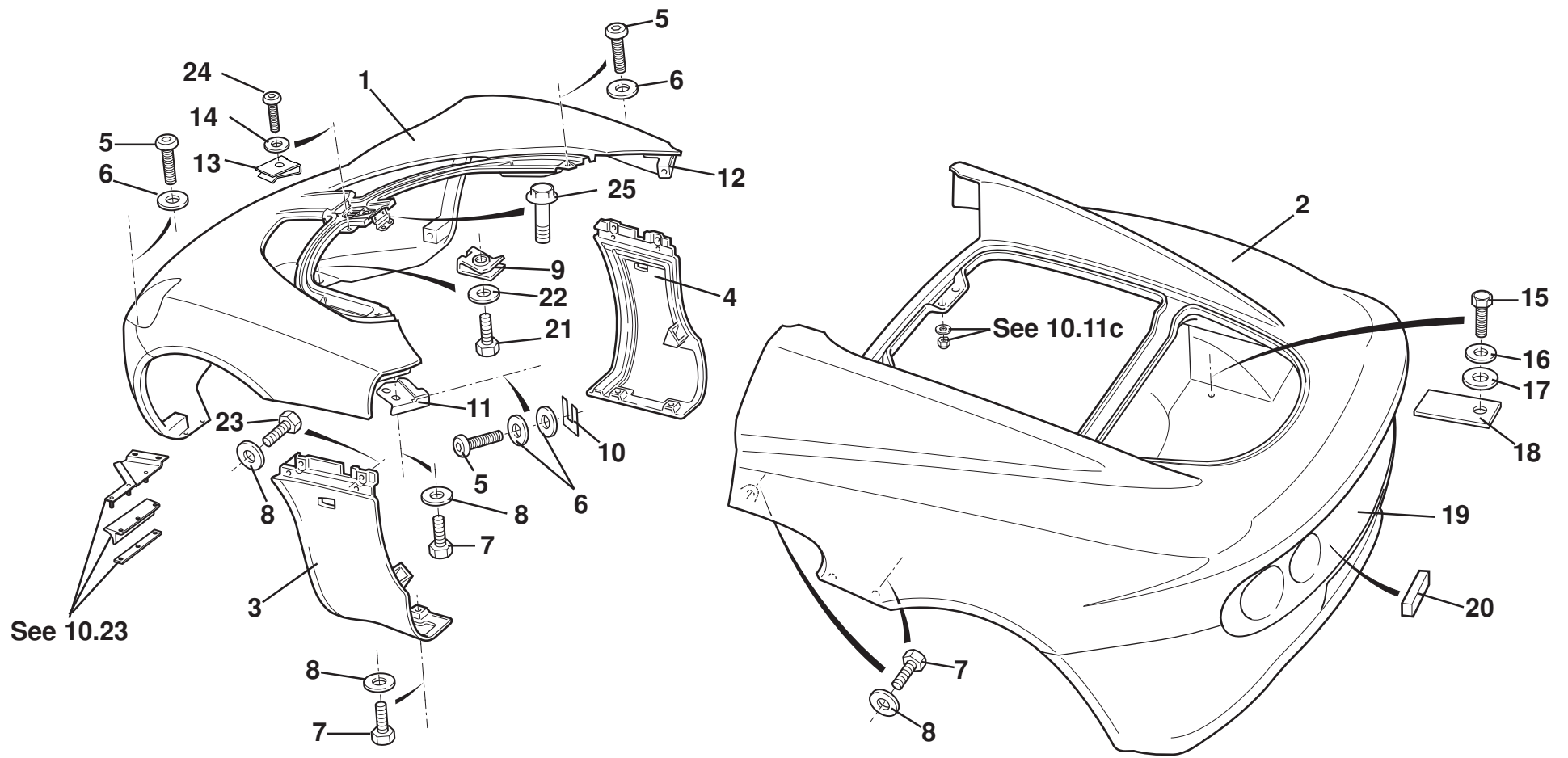
ELISE

Function Code: 10.01, Page: 2

Updated 2nd February 2015

Function Code 10.01 Body: Front & Rear Clamshells & Fixings

<u>Dep</u>	<u>Part Description</u>	<u>Remarks</u>	<u>Option</u>	<u>Part Number</u>	<u>Qty</u>
26	Foam Strip, self adhesive	See Service Bulletin 2004/16		A036B6221V	0.28M
27	Clip, extension panel to radiator	See Service Bulletin 2004/16		A117B6003F	2
28	Bracket, front liner/access panel mounting	Also Exige		B120B0088F	2
29	Pop Rivet, domed, black, bracket to clamshell			A082W6512F	4
30	Screw, M6 x 35, hex. hd., bootbox to subframe			A075W1033Z	4
31	Washer, flat, M6 x 25 x 1.4, S/S, bootbox to subframe	Black finish		A082W4131F	4
32	Washer, neoprene, 25 x 3mm, bootbox to subframe			A111U6055F	4
33	Decal, blackout, lamp well			A116B0399F	2
34	Buffer, self adhesive, clamshell to shroud	Not illustrated		A111J6027F	2
35	Pad, front clamshell mounting to rad. housing	Not illustrated, see 46.01		A117U0163F	2
36	Foam Infill, clamshell spine front	Not illustrated, bonded to clam.		A117B0502F	1
37	Plate, boot floor reinforcing	Included in clam assembly	Common, '07.5 MY	A121A0047F	1
38	Nyloc Nut, M6, plate to boot floor		Common, '07.5 MY	A907E6285F	6
39	Washer, flat, M6 x 18, plate to boot floor		Common, '07.5 MY	A121W4196F	6
40	Screw M5 x16 hex hd s/s			A111W1163F	5
41	Washer Flat 3/16 x 3/4 x 16g s/s			B075W4009Z	5
42	Screw, M6 x 12, hex. hd.	Front clam. to cover panel		A075W1027Z	4



ELISE

10.01e

Updated 3rd October 2016

Service Parts List **ELISE**



Function Code 10.01e Body: Front & Rear Clamshells & Fixings, Elise 2011 MY

<u>Dep</u>	<u>Part Description</u>	<u>Remarks</u>	<u>Option</u>	<u>Part Number</u>	<u>Qty</u>
01	Front Clamshell, euro	From Vin 11418 No plate plinth mountings change to bonded nut from stud see 12.07a	Primed	A120B0238K	1
01a	Front Clamshell, federal		Primed, USA/Canada	A121B0171K	1
01b	Panel Lamp Support LH	Not illustrated, bonded to clam		A120B4027F	1
01c	Panel Lamp Support RH	Not illustrated, bonded to clam		A120B4028F	1
02	Rear Clamshell, euro, excludes rear transom	See LSL598 (hole location guide) for cars fiited with rear spoiler	Primed	A120B0317K	1
02a	Rear Clamshell, federal, excludes rear transom	See LSL598 (hole location guide) for cars fiited with rear spoiler	Primed, USA/Canada	A121B0176K	
02b	Rear Clamshell, excludes rear transom	Additional fixings for lightweight battery kit	Elise Club Racer '11 MY	A120B0467K	1
02c	Rear Clamshell, Korea, excludes rear transom		Primed	C121B0187J	1
03	Door Hinge Cover Panel, LH		Primed	A120B4059K	1
04	Door Hinge Cover Panel, RH		Primed	A120B4060K	1
05	Screw, M8 x 25, button hd., S/S, clamshell fixing			A111W7175F	6
06	Washer, flat, M8 x 21 x 1.6, clamshell fixing			A111W4176F	8
07	Screw, M6 x 16, hex. hd., clamshell fixing			A075W1028Z	12
08	Washer, flat, M6 x 18 x 1.0, clamshell fixing			B082W4018F	16
09	Spirenut, M6, clamshell to undertray			B100W6372F	3
10	Shim, front clamshell alignment, 0.5mm			A116B0460K	As req.

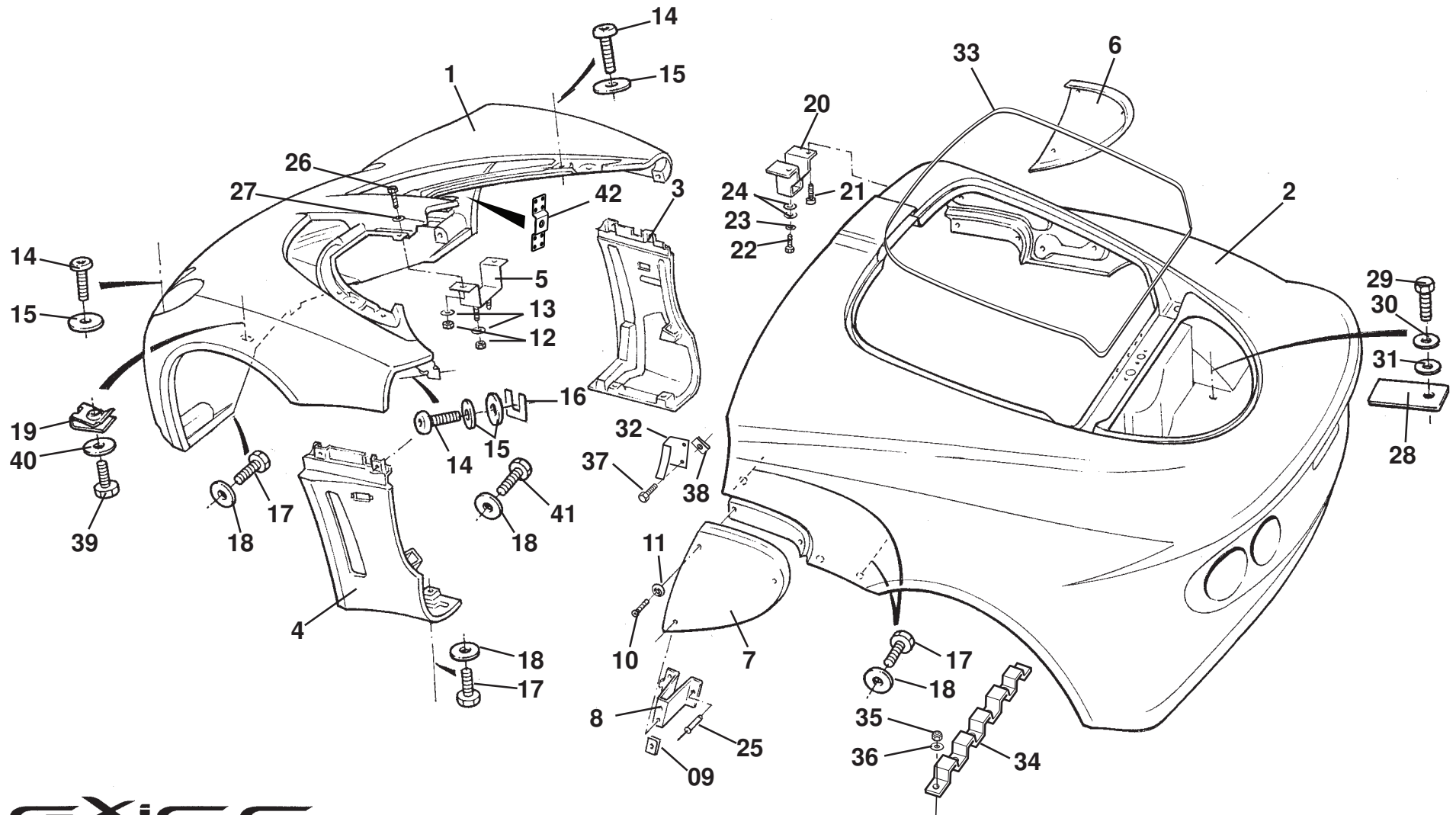
ELISE

Function Code: 10.01e, Page: 1

Updated 3rd March 2017

Function Code 10.01e Body: Front & Rear Clamshells & Fixings, Elise 2011 MY

<u>Dep</u>	<u>Part Description</u>	<u>Remarks</u>	<u>Option</u>	<u>Part Number</u>	<u>Qty</u>
10a	Shim, front clamshell alignment, 1.0mm			A116B0461K	As req.
11	Bracket, front clamshell to 'A' post, LH			A120B4079F	1
12	Bracket, front clamshell to 'A' post, RH			A120B4080F	1
13	Spirenut, M5 clamshell fixing			B100W6372F	4
14	Washer M5			A075W4035Z	4
15	Screw, M6 x 35, bootbox to subframe			A075W1033Z	4
16	Washer, flat, M6 x 25 x 1.4, S/S, bootbox to subframe			A082W4131F	4
17	Washer, neoprene, 25 x 3mm, bootbox to subframe			A111U6055F	4
18	Shim, boot floor to subframe, 1.0mm			A116B0423K	As req.
18a	Shim, boot floor to subframe, 2.0mm			A116B0424K	As req.
19	Transom Panel	Retained by lamp fixings		A120B0271F	1
20	Foam Strip. self adhesive	Between clam. & transom, cut to fit		A054B6110V	As req.
21	Screw M5 x16 hex hd s/s			A111W1163F	5
22	Washer Flat 3/16 x 3/4 x 16g s/s			B075W4009Z	5
23	Screw, M6 x 12, hex. hd., clamshell fixing	Front clam. to cover panel		A075W1027Z	4
24	Screw M5 x16 btn skt hd s/s, clamshell fixing			A111W7156F	4
25	Bolt M6 x 16 hex hd flg hd, clamshell centre fixing			A918W5208F	2



EXIGE

10.01x

Updated 3rd April 2017

Service Parts List



Function Code 10.01x Body: Front & Rear Clamshells & Fixings, Exige

<u>Dep</u>	<u>Part Description</u>	<u>Remarks</u>	<u>Option</u>	<u>Part Number</u>	<u>Qty</u>
01	Front Clamshell, Euro		Primed, prior to '07 MY	D122B0007K	1
01a	Front Clamshell, Euro, '07 MY	Revised headlamp housings	Primed, '07 MY	A122B0296K	1
01b	Front Clamshell, federal	Apertures for side marker lamps	Primed, USA/Canada, '06 MY	A123B0014J	1
01c	Front Clamshell, federal, '07 MY	Revised headlamp housings	Primed, USA/Canada, '07 MY	A122B0303K	1
01d	Front Clamshell, Euro, '07.5 MY	Revised reinforcement	Primed, '07.5 MY	A122B0315K	1
01e	Front Clamshell, federal, '07.5 MY	Revised for impact foams	Primed, USA, 07.5 MY	A123B0032K	1
01f	Front Clamshell, Canada, '07.5 MY	Apertures for side marker lamps	Primed, Canada, '07.5 MY	A123B0035K	1
01g	Front Clamshell, Euro, '10 MY	Also order item 42 for cars with vanes	Primed, '10 MY	A128B0228K	1
01h	Front Clamshell, federal, '10 MY	Also order item 42 for cars with vanes	Primed, USA '10 MY	A128B0214K	1
01i	Front Clamshell, Canada, '10 MY	Also order item 42 for cars with vanes	Primed, Canada '10 MY	A128B0221K	1
01j	Repair Panel Lamp Support LH	Not illustrated, bonded to clam	Prior to '07 MY	D117M0031F	1
01k	Repair Panel Lamp Support RH	Not illustrated, bonded to clam	Prior to '07 MY	D117M0030F	1
01l	Repair Panel Lamp Support LH	Not illustrated, bonded to clam	'07 MY	A120B0153F	1
01m	Repair Panel Lamp Support RH	Not illustrated, bonded to clam	'07 MY	A120B0154F	1
02	Rear Clamshell, Euro		Primed, C122B0032K R/B	E122B0032K	1
02a	Rear Clamshell, Euro, 07.5 MY	Revised grilles/license plate plinth	Primed, '07.5 MY	F122B0032K	1
02b	Rear Clamshell, federal, '07.5 MY	Non-supercharged cars	Primed, USA/Can., '07.5 MY	C123B0018K	1



Function Code 10.01x Body: Front & Rear Clamshells & Fixings, Exige

<u>Dep</u>	<u>Part Description</u>	<u>Remarks</u>	<u>Option</u>	<u>Part Number</u>	<u>Qty</u>
02d	Rear Clamshell, supercharged cars, Euro		Primed, Exige S, Euro, Cup 240/255	A128B0004K	1
02e	Rear Clamshell, supercharged cars, federal		Primed, Exige S, USA, Cup 240/255	A128B0043K	1
02f	Rear Clamshell, Euro	Body mounted spoiler	Primed, 'MY10	A128B0205K	1
02g	Rear Clamshell, federal,	Body mounted spoiler	Primed, 'MY10	A128B0199K	1
02h	Rear Clamshell, carbon insert, Euro, Cup 260	Includes reinforcement bracket for body mounted spoiler ('10MY), but no holes drilled so it can be used on '09MY	Primed, '09 & '10MY	A128B0177K	1
02i	Rear Clamshell, carbon insert, federal, Cup 260	Includes reinforcement bracket for body mounted spoiler ('10MY), but no holes drilled so it can be used on '09MY	Primed, USA, '09 & '10MY	A128B0180K	1
02j	Rear Clamshell, Korea	Body mounted spoiler	Primed, 'MY10	A128B0305K	1
02k	Rear Clamshell, Korea, carbon insert, Cup 260	Body mounted spoiler	Primed, 'MY10	A128B0309J	1
03	Door Hinge Cover Panel, RH		Primed, A122B0018K R/B	C122B0018K	1
04	Door Hinge Cover Panel, LH		Primed, A122B0017K R/B	C122B0017K	1
05	Bracket, front clamshell supporting			B122B0012F	1
06	Duct Panel, side intake, RH		Primed	A122B0062K	1
06a	Duct Panel, side intake, RH, carbon fibre		Cup 260, '09 MY	A128B4024J	1
07	Duct Panel, side intake, LH		Primed	A122B0061K	1
07a	Duct Panel, side intake, LH, carbon fibre		Cup 260, '09 MY	A128B4023J	1
08	Bracket, side duct to sill			A122B0202F	2



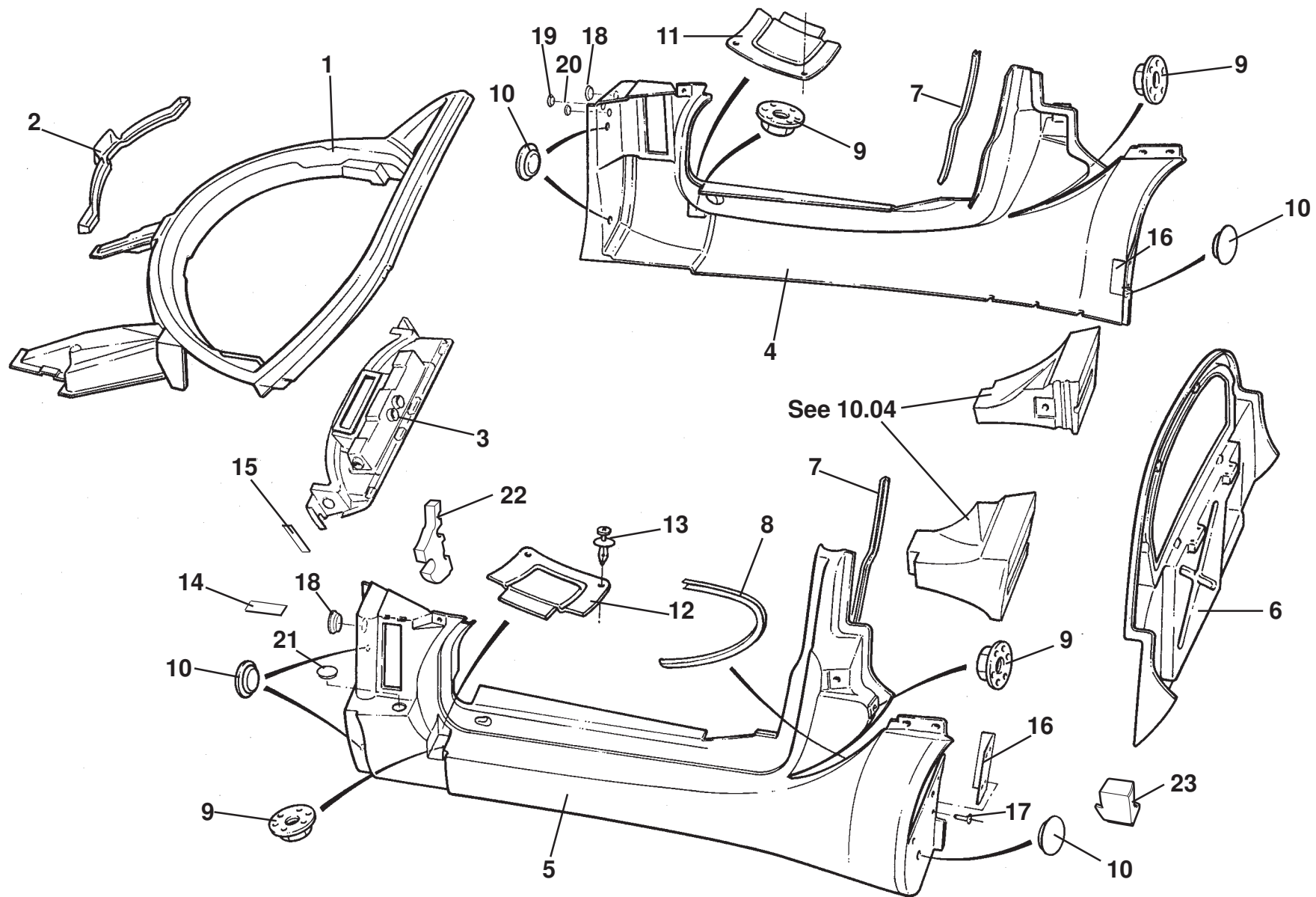
Function Code 10.01x Body: Front & Rear Clamshells & Fixings, Exige

<u>Dep</u>	<u>Part Description</u>	<u>Remarks</u>	<u>Option</u>	<u>Part Number</u>	<u>Qty</u>
09	Spirenut, M5, side duct fixing to bracket & clamshell			A117W6697F	6
10	Screw, M5 x 20, skt. button hd., side duct panel fix.			A082W7173F	6
10a	Screw, M5 x 16, skt. button hd. black., side duct panel fix.		Exige Stealth/Scura	A128W5003F	6
11	Escutcheon, screw to panel			A340B0123F	6
11a	Escutcheon, screw to panel, black		Exige Stealth/Scura	A128B0289F	6
12	Nut, M6, bracket to wiper bracket			A075W3020Z	2
13	Washer, spring, M6, bracket to wiper bracket			A075W4035Z	2
14	Screw, M8 x 25, S/S, button hd. clam fix.			A111W7175F	6
15	Washer, flat, S/S, M8 x 21 x 1.6, clam fix.			A111W4176F	6
16	Shim, clamshell alignment, 0.5mm			A116B0460K	As req.
16a	Shim, clamshell alignment, 1.0mm			A116B0461K	As req.
17	Screw, M6 x 16, hex. hd., clamshell fix.			A075W1028Z	10
18	Washer, flat, M6 x 18 x 1, clamshell fix.			B082W4018F	17
19	Spirenut, M5, clamshell to front undertray			B100W6372F	3
20	Bracket, rear clamshell to bulkhead			B117B0091F	2
21	Screw, M5 x 10, flg. button hd., bracket to clamshell			A117B0310H	4
22	Screw, M6 x 25, cap hd., bracket to bulkhead			A111W7170F	2
23	Washer, flat, M6 x 18 x 1, bracket to bulkhead			B082W4018F	2
24	Spacer Washer, neoprene, bracket to bulkhead			A111U6055F	4
25	Pop Rivet, bracket to sill panel			A075W6087Z	6
26	Screw, M6, bracket to clamshell		A100W5137F R/B	A082W7105F	4



Function Code 10.01x Body: Front & Rear Clamshells & Fixings, Exige

<u>Dep</u>	<u>Part Description</u>	<u>Remarks</u>	<u>Option</u>	<u>Part Number</u>	<u>Qty</u>
27	Washer, flat, M6 x 18 x 1, bracket to clamshell		B082W4018F R/B	A126W4213F	4
28	Shim, boot floor to subframe, 1mm			A116B0423K	As req.
28a	Shim, boot floor to subframe, 2mm			A116B0424K	As req.
29	Screw, M6 x 35, hex. hd., bootbox to subframe			A075W1033Z	4
30	Washer, flat, M6 x 25 x 1.4, S/S, bootbox to subframe	Black finish		A082W4131F	4
31	Washer, neoprene, 25 x 3mm, bootbox to subframe			A111U6055F	4
32	Cover, side grille pocket, LH		A122B0145K R/B	C122B0145K	1
32a	Cover, side grille pocket, RH		A122B0144K R/B	C122B0144K	1
33	Edge Finisher, engine bay gutter			A117B6010V	2.45M
34	Plate, boot floor reinforcing	Bonded to clam., order with clam.	'07.5 MY	A121A0047F	1
35	Nyloc Nut, M6, plate to boot floor		'07.5 MY	A907E6285F	6
36	Washer, flat, M6 x 18, plate to boot floor		'07.5 MY	A121W4196F	6
37	Screw, No.6 x 0.5", flg. hd. S/S black, cover to sill			A089W5138F	4
38	Spirenut, No.8, cover to sill			A075W6016Z	4
39	Screw M5 x16 hex hd s/s			A111W1163F	5
40	Washer Flat 3/16 x 3/4 x 16g s/s			B075W4009Z	5
41	Screw, M6 x 12, hex. hd., clamshell to sill			A075W1027Z	4
42	Vane Mounting Bracket	bonded to clam		A128B0247F	2



ELISE

10.02a

Updated 16th July 2012

Service Parts List **ELISE**



Function Code 10.02a Body: Sill Panels, Windscreen Frame & Rear Bulkhead

<u>Dep</u>	<u>Part Description</u>	<u>Remarks</u>	<u>Option</u>	<u>Part Number</u>	<u>Qty</u>
01	Windscreen Frame Assembly		Painted	A116B0148K	1
02	Gutter, windscreen frame		Elise	B117B0153F	1
02a	Gutter, windscreen frame		Exige	A122B0014F	1
02b	Gutter, windscreen frame		Elise 2011 MY	B120B0322F	1
03	Baffle Panel/FLV Plenum Assembly			A120B0117F	1
04	Sill Panel, RH		Elise	C120B0050K	1
04a	Sill Panel, RH		Exige	A122B0210K	1
05	Sill Panel, LH		Elise	C120B0051K	1
05a	Sill Panel, LH		Exige	A122B0211K	1
06	Rear Bulkhead		B120B0052F R/B	C120B0052F	1
06a	Rear Bulkhead, Exige, '10 MY		Cup 260 '10 MY	A128B0154F	1
06b	Rear Bulkhead GCC		Gulf States	A128B0195K	1
07	Edge Finisher, 'B' post, smooth			A117U0462F	2
08	Edge Finisher, side intake, smooth			A117U0463F	2
09	Captive Nut, M8, big hd.			A111W6592F	18
10	Blanking Grommet, 12.5mm			A100B6163F	1
11	Finisher Panel, front sill recess, RH			B117U0168F	1
12	Finisher Panel, front sill recess, LH			B117U0169F	1

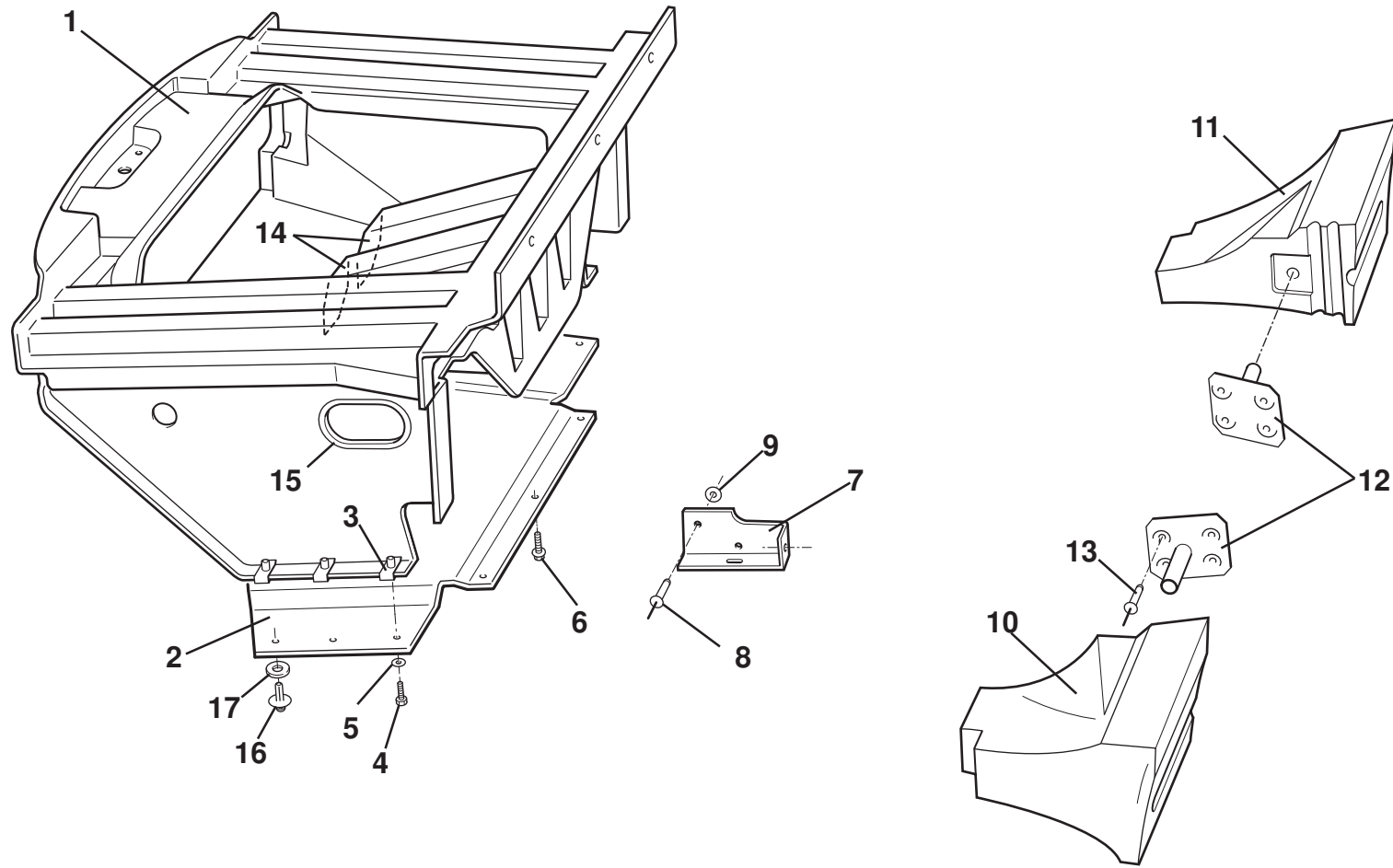
ELISE

Function Code: 10.02a, Page: 1

Updated 3rd January 2017

Function Code 10.02a Body: Sill Panels, Windscreen Frame & Rear Bulkhead

<u>Dep</u>	<u>Part Description</u>	<u>Remarks</u>	<u>Option</u>	<u>Part Number</u>	<u>Qty</u>
13	Plastic Fastener, panel fix.			A100W6479F	4
14	Pad, hole blanking, upper hinge fixings			A117U0258F	2
15	Foam Strip, 300mm, baffle panel to screen frame	Cut to fit, see Service Notes, section BO		A082U6065V	2
16	Bracket, sill rear to chassis	Bonded to chassis		A120B0053F	2
17	Pop Rivet, bracket to sill			A111W6613F	4
18	Blanking Grommet, 38mm, sills front	Unused oil hose holes	Non oil cooler cars	A116W6730F	2
19	Blanking Grommet, 30mm, RH sill front	Unused AC pipe hole	Heater cars	A079U6033F	1
20	Blanking Grommet, 19mm, RH sill front	Unused AC pipe hole	Heater cars	A116W6714F	1
21	Blanking Grommet, 38mm, door aperture front	Unused door harness hole	Non CDL cars	A116W6730F	2
22	NVH Foam, sill front		Heater cars	C120B0074F	2
23	Foam, 'B' post lower to Seat Belt Anchor Frame, LH			A117B0701K	1
23a	Foam, 'B' post lower to Seat Belt Anchor Frame, RH			A117B0702K	1
24	Bondnut, M6, 'P' clip fixing	Not illus. for roll-over valve hose	Elise SC	A117B0299F	1



ELISE

10.04

Updated 1st November 2016

Service Parts List **ELISE**



Function Code 10.04 Crash Structures

<u>Dep</u>	<u>Part Description</u>	<u>Remarks</u>	<u>Option</u>	<u>Part Number</u>	<u>Qty</u>
01	Front Crash Structure Assembly, includes nut plates*	04 MY to present	A120B0190J R/B	B120B0190J	1
01a	Front Crash Structure Assembly, includes nut plates*	SOP to 7.5 MY USA	A120B0190J R/B	B120B0190J	1
01b	Front Crash Structure Assembly, federal	Incl. lower armature, see 10.23c	USA only, '07.5 MY	A121B0118J	1
02	Panel, front undershield			B117B0237F	1
02a	Panel, front undershield, adjustable A/R bar		Supersport option	A120B0152F	1
02b	Panel, front undershield, federal	Fixing holes to bumper armature	USA only, '07.5 MY	C117B0237F	1
03	Spirenut, M5, undershield fix.	4 off if items 17/18 used		B100W6372F	6
04	Screw, M5 x 16, pan, pozi., undershield fix.	4 off if items 17/18 used		A111W1163F	6
05	Washer M5 x 18 x 1.5, undershield fix.	4 off if items 17/18 used		B075W4009Z	6
06	Screw, M6 x 12, flg. hd., undershield fix.			A111E6007F	3
07	Alloy Plate, LH			A111B0531F	1
07a	Alloy Plate, RH			A111B0530F	1
08	Pop Rivet, plate fix.			A085W6259F	6
09	Washer, flat, 3/16" x 1/2", plate to crash structure			A075W4000Z	4
10	Side Impact Foam, LH			A120B0063F	1
11	Side Impact Foam, RH			A120B0062F	1
12	Bracket, foams to chassis			A117B0556F	2
13	Pop Rivet, brackets to chassis			A117W6734F	8

ELISE

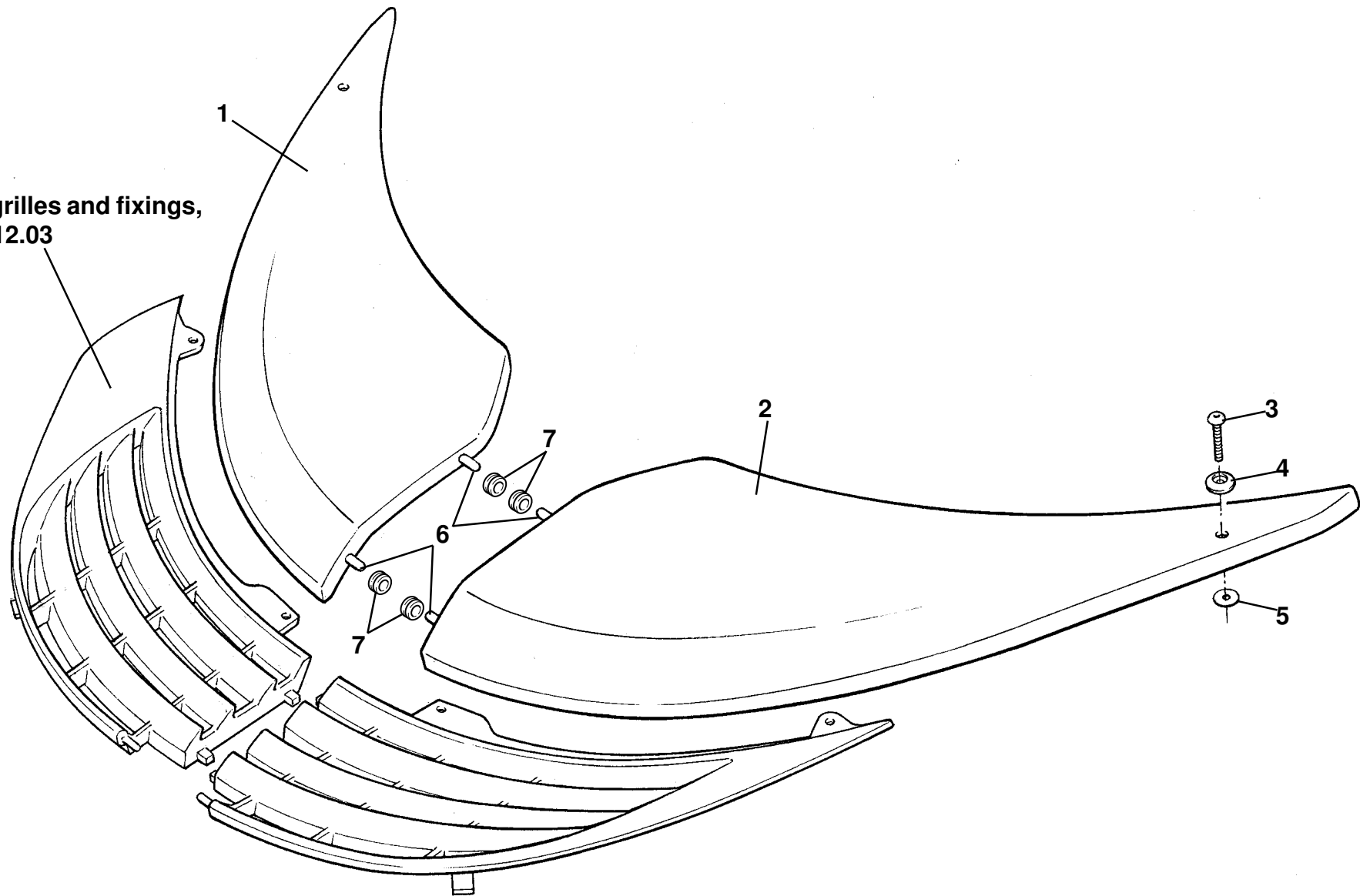
Function Code: 10.04, Page: 1

Updated 2nd February 2015

Function Code 10.04 Crash Structures

<u>Dep</u>	<u>Part Description</u>	<u>Remarks</u>	<u>Option</u>	<u>Part Number</u>	<u>Qty</u>
14	Grille, leaf screen	Bonded to crash structure		A117B0466F	2
15	Edging Strip, hose protection			A111U6034V	0.3m
16	Plastic Fastener, undertray fixing	Fits through body	If fitted	A100W6481F	2
17	Washer, flat, M8 x 20 x 2.5, undertray fixing		If fitted	A079W4019F	2
18	Blanking Plate, crash structure	Not illustrated, Used to blank HVAC holes	Gulf States	A120B0241K	2
19	Betaseal 1701, crash structure to chassis	Not illustrated		A082B6281F	300mm
		*A level crash structure no longer available for cars fitted nuts welded onto towing eye bracket see 2b 10.31			

For grilles and fixings,
see 12.03



ELISE

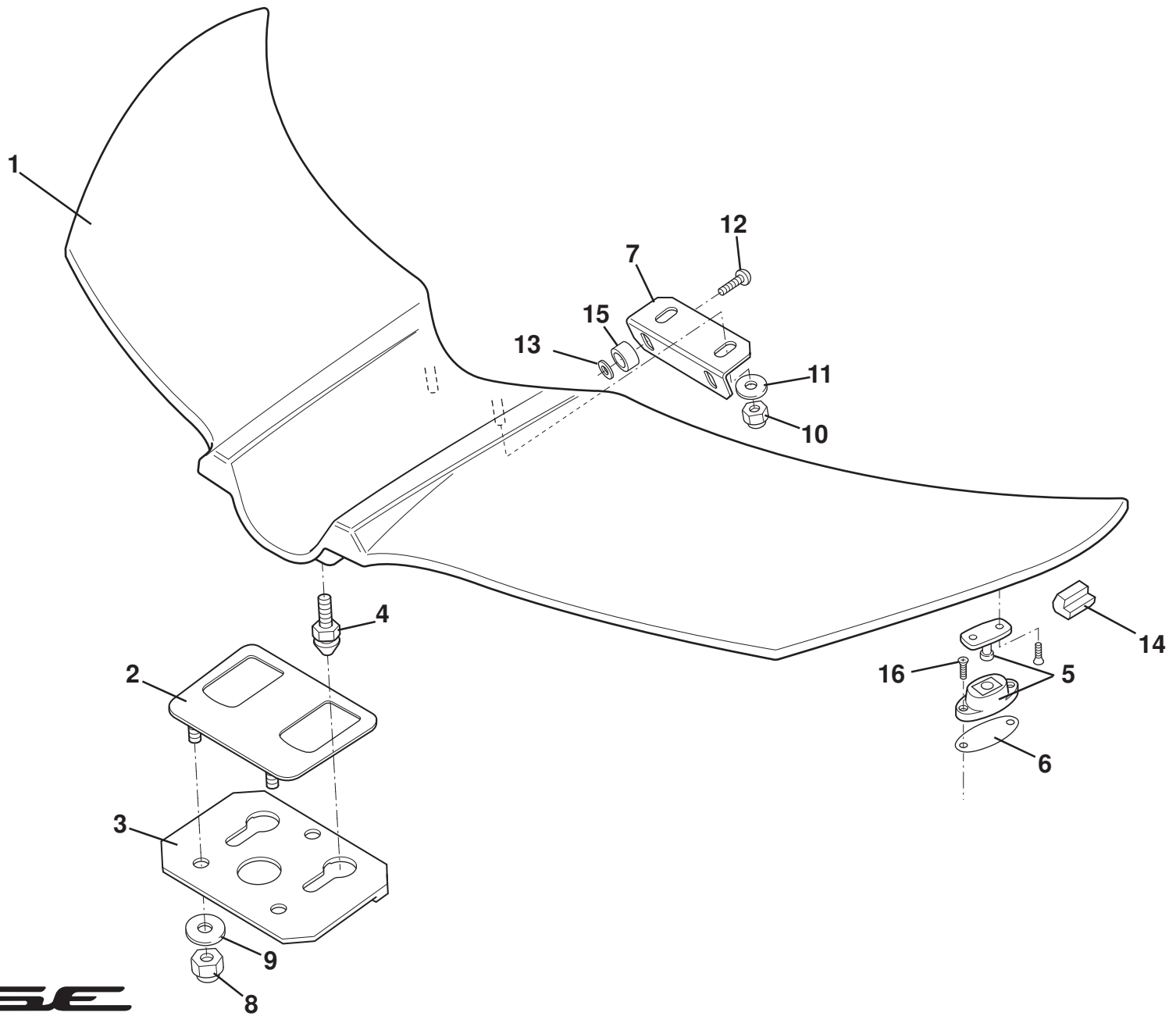
10.09a

Service Parts List **ELISE**



Function Code 10.09a Front Services Access Panels

<u>Dep</u>	<u>Part Description</u>	<u>Remarks</u>	<u>Option</u>	<u>Part Number</u>	<u>Qty</u>
01	Front Access Panel, RH		Elise	B120B0042J	1
01a	Front Access Panel, RH, primed	Not illustrated	Exige A122B0028K R/B	B122B0028K	1
01b	Front Access Panel, carbon fibre, RH	Not illustrated	Exige Cup 260, '09 MY	A128B4030K	1
02	Front Access Panel, LH		Elise	B120B0043J	1
02a	Front Access Panel, LH, primed	Not illustrated	Exige A122B0027K R/B	B122B0027K	1
02b	Front Access Panel, carbon fibre, LH	Not illustrated	Exige Cup 260, '09 MY	A128B4029K	1
03	Screw, M5 x 20, button. skt. hd. S/S, panel fix.		6 off for Exige	A082W7173F	2
03a	Screw, M5 x 16, skt. button hd. black., panel fix.		Exige Stealth/Skura	A128W5003F	6
04	Escutcheon, screw to panel		6 off for Exige	B340B0123F	2
04a	Escutcheon, screw to panel, black		Exige Stealth/Skura	A128B0289F	6
05	Washer, retaining, screw to panel		6 for off Exige	A111J6016F	2
06	Locator Pin, access panel to clamshell spine	Bonded to panel		B120B0108F	4
07	Grommet, pin to clamshell			X036B6010Z	4



ELISE
10.09b

Updated 1st October 2013

Service Parts List **ELISE**



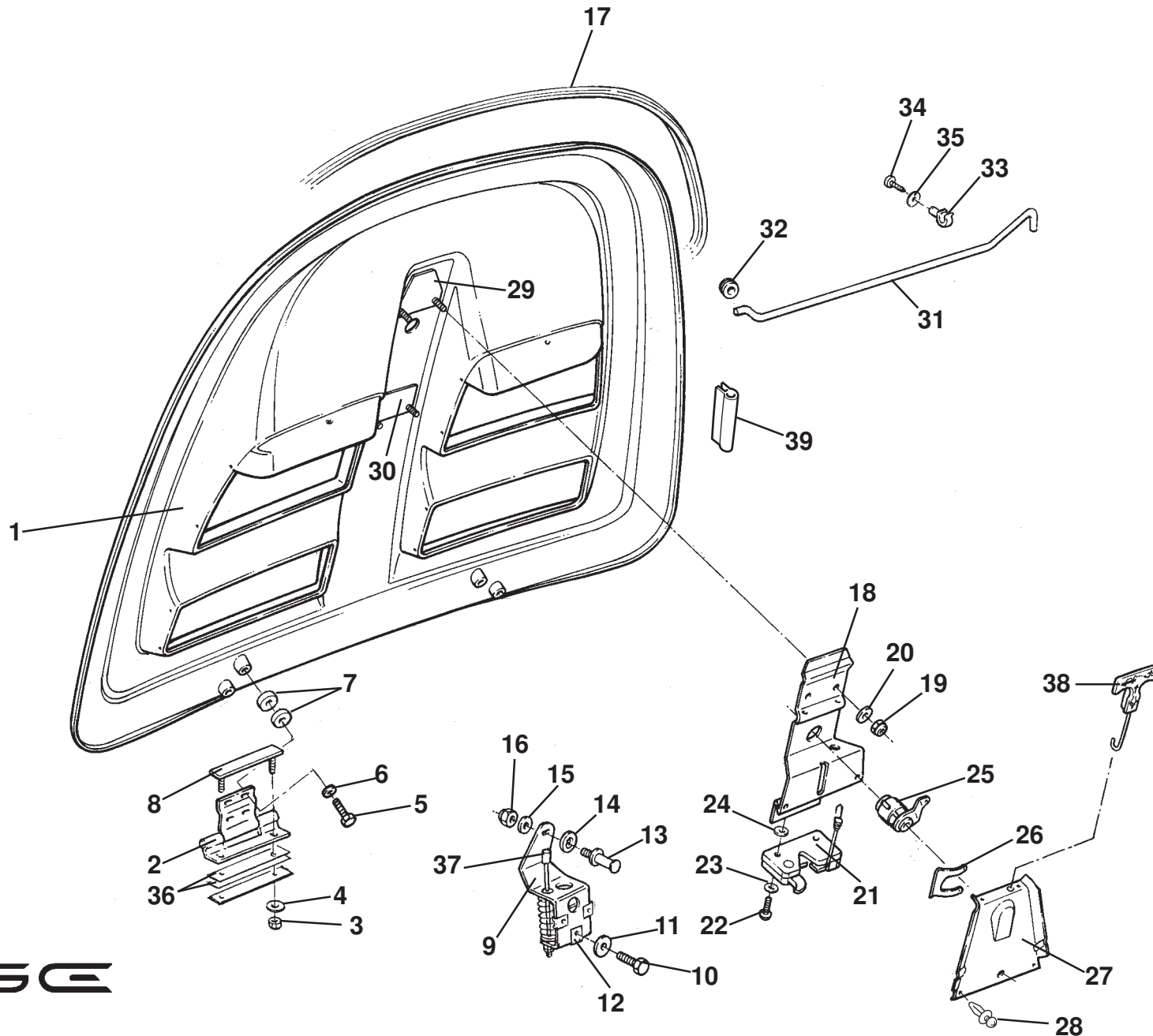
Function Code 10.09b Front Services Access Panel, Elise 2011 MY

<u>Dep</u>	<u>Part Description</u>	<u>Remarks</u>	<u>Option</u>	<u>Part Number</u>	<u>Qty</u>
01	Access Panel, front		Primed	A120B0321J	1
02	Stud Plate, access cover			A120B0345F	1
03	Plate, access cover mounting			B120B0297F	1
04	Pin, panel locating			A120B0342F	2
05	Mounting Block Assembly			A120B0325F	2
06	Shim, 1.5mm, mounting block to clamshell			A120B0323F	As req.
07	Bracket, access cover rear			A120B0308F	1
08	Nyloc Nut, M6, plate fixing			A075W3009Z	2
09	Washer, flat, M6 x 15 x 1.5 s/s blk , plate fixing			A082W4133F	2
10	Nyloc Nut, M5, bracket to panel			A075W3008Z	2
11	Washer, flat, M5 x 19 x 1.4 s/s blk, bracket to panel			B082W4107F	2
12	Screw, M6 x 30, s/s btn hd blk, cover to clamshell			A132W5026F	2
13	Retaining Washer, screw			A120B0310F	2
14	Buffer Rubber, access panel front clam			A120B0347F	2
15	Collar M6			A120B0309F	2
16	Screw M4 x 20 pozi csk			A100W5156F	8

ELISE

Function Code: 10.09b, Page: 1

Updated 1st October 2013



ELISE
10.11

Updated 21st February 2012

Service Parts List **ELISE**



Function Code 10.11 Tailgate & Release Mechanism

<u>Dep</u>	<u>Part Description</u>	<u>Remarks</u>	<u>Option</u>	<u>Part Number</u>	<u>Qty</u>
01	Engine Cover Lid, no antenna hole		A120B0061K R/B	B120B0061K	1
02	Hinge Assembly			C117B6002F	2
03	Nyloc Nut, M6, hinge to stud plate			A907E6285F	4
04	Washer, flat, M6 x 25, hinge to stud plate			B075W4017Z	4
05	Screw, M6 x 16, hex. hd., hinge to lid			A075W1028F	4
06	Washer, flat, M6 x 15 x 3, hinge to lid			A075W4014Z	4
07	Washer, spacer, M8 x 20 x 2.5, hinge to lid			A079W4019F	8
08	Stud Plate, hinge retention			A117B0236F	2
09	Striker Pin/Lift Assembly, engine cover lid	Incl. heatshield, see 45.05		C120B0007F	1
10	Screw, M6 x 16, hex.hd., assy. to bulkhead			A075W1028Z	3
11	Washer, flat, M6 x 20 x 2.5, assy. to bulkhead			A075W4016Z	3
12	Captive Nut, M6, assy.t to bulkhead			A117W3181F	3
13	Striker Pin			A117B0223F	1
14	Washer, flat, M10 x 20.5 x 1.8, pin fixing			A075W4024Z	1
15	Washer, flat, M6 x 12.1 x 1.4, pin fixing			A075W4013Z	1
16	Nyloc Nut, M6, pin to bracket, pin fixing			A907E6285F	1
17	Weatherseal, boot			A117U6001V	1.92M
18	Bracket, latch retention			C120B0020F	1

ELISE

Function Code: 10.11, Page: 1

Updated 21st February 2012

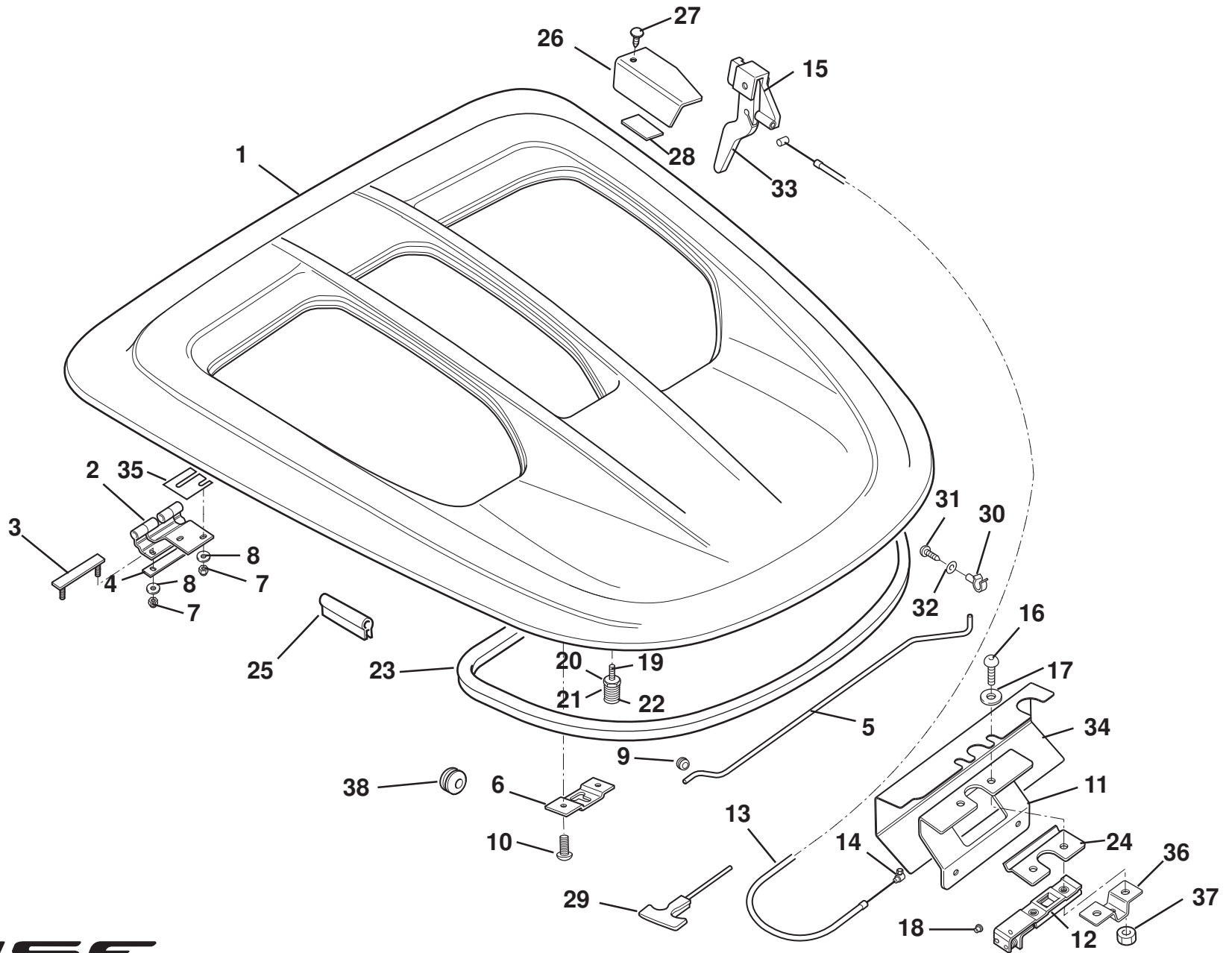
Function Code 10.11 Tailgate & Release Mechanism

<u>Dep</u>	<u>Part Description</u>	<u>Remarks</u>	<u>Option</u>	<u>Part Number</u>	<u>Qty</u>
19	Nyloc Nut, M6, bracket to lid			A907E6285F	4
20	Washer, flat, M6 x 12.1 x 1.4, bracket to lid			A075W4013Z	4
21	Latch Assembly			A120B6002F	1
22	Screw, M6 x 35, csk. skt. hd., latch to bracket	Black finish		A079W7004F	2
23	Washer, flat, M6 x 25 x 1.4, S/S, latch to bracket	Black finish		A082W4131F	2
24	Spacer Washer, M6 x 12.1 x 1.4, latch to bracket			A075W4013Z	2
25	Lock Barrel	Part of lock set, see 10.17		B117H0001F	1
26	'C' Clip, lock barrel retention			A117B6009F	1
27	Cover, latch assembly			A120U0003F	1
28	Plastic Fastener, cover fixing			A111W6534F	4
29	Stud Plate, bracket fixing, rear			A117B0243F	1
30	Stud Plate, bracket fixing, front			A117B0242F	1
31	Stay, lid supporting			A117B0244F	1
32	Grommet, stay to bulkhead			X036B6150Z	1
33	Retaining Clip, stay			A082W6325F	1
34	Screw, No. 8 x 0.5", pan hd. Pozi., clip fixing			A075W5034Z	1
35	Washer, flat, 3/16" x 0.5", black, clip fixing			A075W4063Z	1
36	Shim, ABS, 1.6mm, hinge to clamshell/bulkhead			A117B0386K	4
37	End Cap, PTFE, plunger, engine cover lift			A117B6028H	1
38	'T' Handle Assembly, engine cover emergency release	Includes wire & barrel	USA/Can., A121B0029F R/B	B121B0029F	1
39	Weatherseal, engine bay gutters	200mm lengths x 4 - engine bay		A117U6001V	0.8M

ELISE

Function Code: 10.11, Page: 2

Updated 21st February 2012



ELISE
10.11c

Updated 1st November 2016

Service Parts List **ELISE**



Function Code 10.11c Engine Cover Lid & Release Mechanism, Elise 2011 MY

<u>Dep</u>	<u>Part Description</u>	<u>Remarks</u>	<u>Option</u>	<u>Part Number</u>	<u>Qty</u>
01	Engine Cover Lid		Primed	A120B0288K	1
02	Hinge Assembly			A120B0287F	2
03	Stud Plate, hinge retention			B117B0236F	2
04	Shim, ABS, 1.6mm, hinge to clamshell/bulkhead			A117B0386K	As req.
05	Stay, engine cover lid			A120B0373F	1
06	Retainer, stay			B128U0034F	1
07	Nyloc Nut, M6, hinge to lid & clam.			A907E6285F	8
08	Washer, flat, M6 x 25, hinge to lid & clam.			B075W4017Z	8
09	Grommet, stay to bulkhead			X036B6010Z	1
10	Screw M6 x 16mm but cap			A082W7105F	2
11	Bracket, latch			C120B0273F	1
12	Latch Assembly, engine cover			A082U6087F	1
13	Cable, engine cover release	LHS 1600mm		A120B0294F	1
13a	Cable, engine cover release	RHS 2400mm		A122B0253S	1
14	Solderless Nipple, release cable			A116W6762F	1
15	Lever Assembly, engine cover release, RHS			A122B0252S	1
15a	Lever Assembly, engine cover release, LHS			A122B0251S	1
16	Screw, M8 x 25, skt. button hd. S/S, latch to bracket			A111W7175F	2

ELISE

Function Code: 10.11c, Page: 1

Updated 1st November 2016

Function Code 10.11c Engine Cover Lid & Release Mechanism, Elise 2011 MY

<u>Dep</u>	<u>Part Description</u>	<u>Remarks</u>	<u>Option</u>	<u>Part Number</u>	<u>Qty</u>
16a	Screw, M8 x 30, skt. button hd. S/S, latch to bracket	For cars fitted with item 36		A120W5299F	2
17	Washer, flat, M8 x 20.5 x 1.5 S/S, latch to bracket			A111W4176F	2
18	Bush, cable to latch			A111U6049F	2
19	Striker Pin			A116B0468F	1
20	Nut, striker pin			A120B0379F	1
21	Spring, striker pin			A111U6023F	1
22	Spring Retainer Cup			A111U6022F	1
23	Weatherseal, boot	25mm lengths x 4 - engine bay		A117U6001V	1.3M
24	Striker Guide Plate, tailgate			B120B0282F	1
25	Weatherseal,engine bay gutters	200mm lengths x 4 - engine bay		A117U6001V	0.8M
26	Cover, release handle bracket, RHS			B122U0016K	1
26a	Cover, release handle bracket, LHS			B122U0015K	1
27	Fir tree			A116U0201F	1
28	Double Sided Tape			B075U6070V	1
29	'T' Handle/Cable Assembly, emergency release		USA/Canada	A123U0004F	1
30	Retaining Clip, stay			A082W6325F	1
31	Screw, No. 8 x 0.5", pan hd. Pozi., clip fixing			A075W5034Z	1
32	Washer, flat, 3/16" x 0.5", black, clip fixing			A082W4133F	1
33	Lever, engine cover release, RH			A120B6061F	1
33a	Lever, engine cover release, LH			A120B6060F	1
34	Heatshield. latch assembly			A120S0049F	1

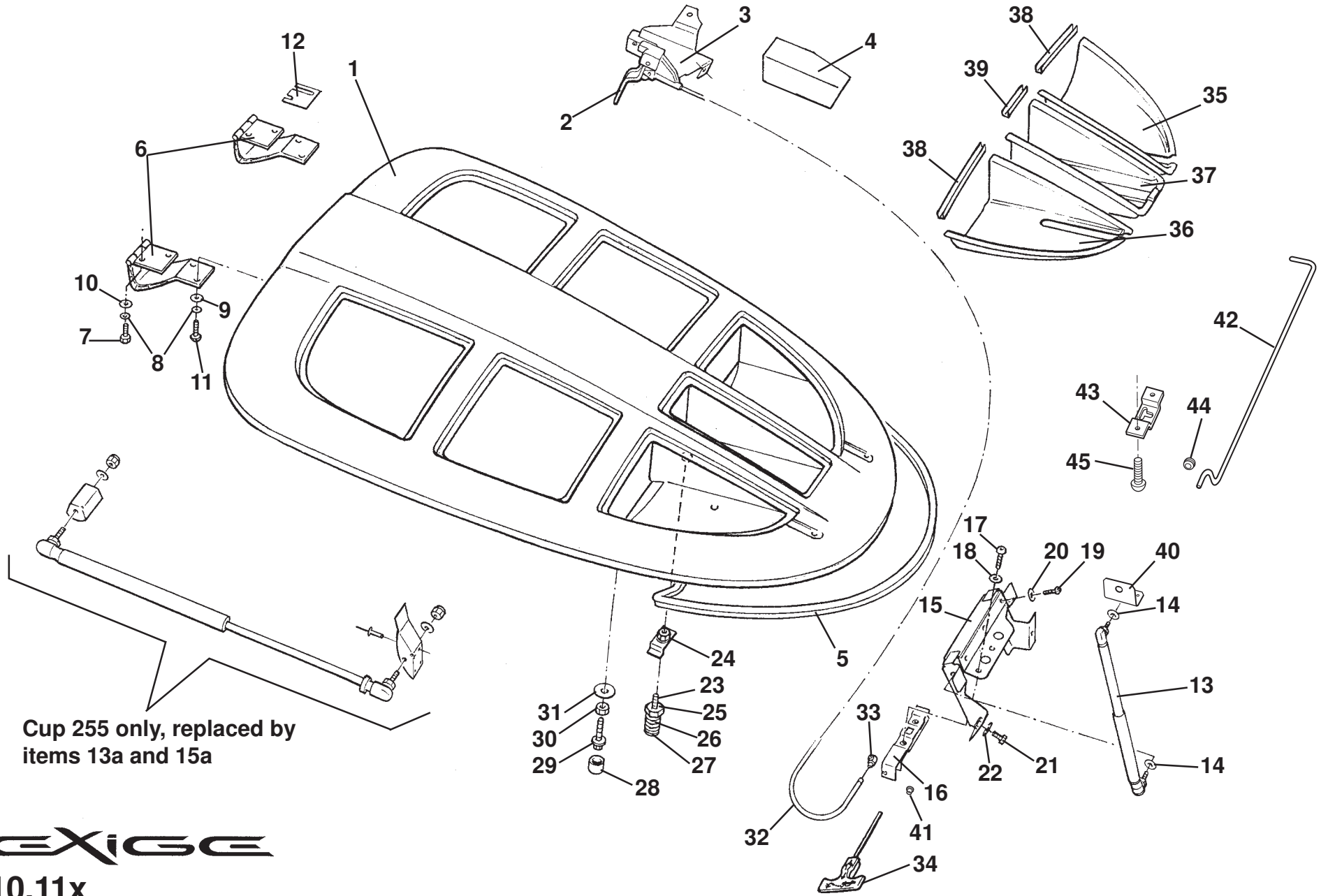
ELISE

Function Code: 10.11c, Page: 2

Updated 1st November 2016

Function Code 10.11c Engine Cover Lid & Release Mechanism, Elise 2011 MY

<u>Dep</u>	<u>Part Description</u>	<u>Remarks</u>	<u>Option</u>	<u>Part Number</u>	<u>Qty</u>
35	Shim, hinge			A120B0395F	As req.
36	Latch Protection Plate			A138B0306F	1
37	Nut M8, latch mounting			A075W3021Z	2
38	Grommet			A138W6004F	2



Cup 255 only, replaced by items 13a and 15a

EXIGE
10.11x

Updated 2nd November 2015

Service Parts List



Function Code 10.11x Tailgate & Release Mechanism, Exige

<u>Dep</u>	<u>Part Description</u>	<u>Remarks</u>	<u>Option</u>	<u>Part Number</u>	<u>Qty</u>
01	Tailgate Assembly Primed	One protrusion in latch striker area, bonded grilles, Not available order item 01a	A122B0075K R/B	A122B0334K	1
01a	Tailgate Assembly Primed, RTM	Two protrusions in latch striker area, screw mounted grilles	A122B0327K R/B	A122B0334K	1
01b	Tailgate Assembly, carbon fibre		Cup 260, '09 MY	A128B0150J	1
01d	Tailgate Assembly, '10 MY	Body mounted spoiler	Cup 260, '10 MY	A128B0265K	1
01e	Tailgate Assembly, carbon fibre, '10 MY	Body mounted spoiler	Cup 260, '10 MY	A128B0271J	1
02	Handle Assembly, tailgate release, RHD			A122B0252S	1
02a	Handle Assembly, tailgate release, LHD			A122B0251S	1
03	Bracket, release handle to chassis, RH		A122B0152F R/B	B122B0152F	1
03a	Bracket, release handle to chassis, LH		A122B0151F R/B	B122B0151F	1
04	Cover, release handle bracket, RHD		A122U0016K R/B	B122U0016K	1
04a	Cover, release handle bracket, LHD		A122U0015K R/B	B122U0015K	1
05	Seal Assembly, luggage compartment		A122B0083F R/B	B122B0083F	1
06	Hinge Assembly, tailgate			A122B0084F	2
07	Screw, M6 x 18, hex. hd., hinge to clamshell			A075W1029Z	4
08	Washer, spring, M6, hinge to clamshell/tailgate			A075W4035Z	8
09	Washer, flat, M6 x 20, hinge to tailgate			A075W4016Z	4
10	Washer, flat, M6 x 12, hinge to clamshell			A100W4127F	4



Function Code 10.11x Tailgate & Release Mechanism, Exige

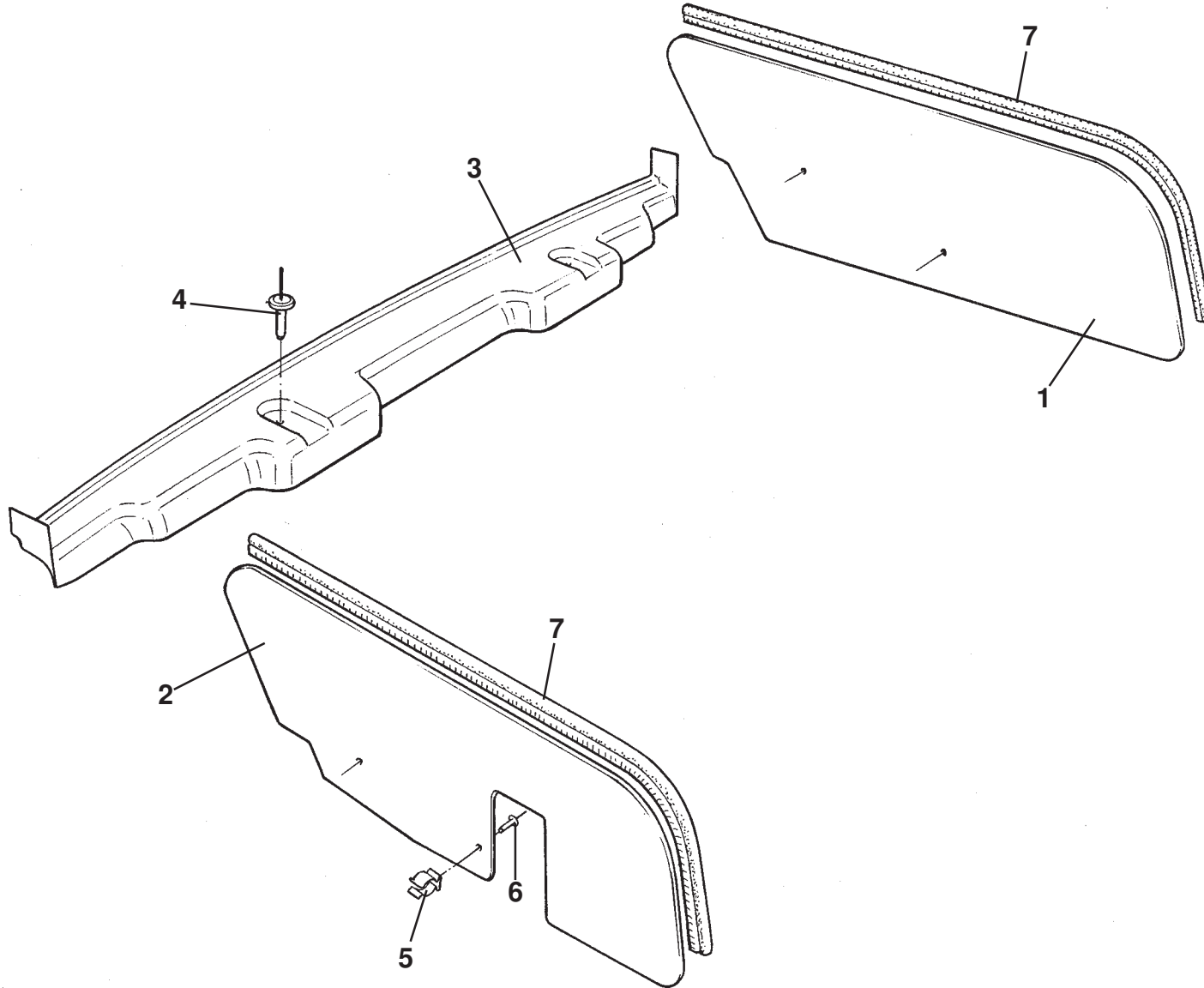
<u>Dep</u>	<u>Part Description</u>	<u>Remarks</u>	<u>Option</u>	<u>Part Number</u>	<u>Qty</u>
11	Screw, M6 x 25, skt. button. hd., hinge to tailgate			A075W7016F	4
12	Shim, hinge rotor to tailgate			A122B0199F	As req.
13	Strut, tailgate supporting		A122B0086F R/B	B122B0086F	1
13a	Strut, tailgate supporting, supercharged cars	Replaces twin strut design	Exige S	A128B0031F	1
14	Washer, shakeproof, M8, strut to bracket/tailgate			A075W4048Z	2
15	Bracket, latch/strut to clamshell			B122B0038F	1
15a	Bracket, latch/strut to clamshell, S/C cars	Replaces twin strut design	Exige S	A128B0044F	1
16	Latch Assembly, tailgate			A082U6087F	1
16a	Latch Assembly, tailgate, with emergency release		USA/Canada	A123U0002K	1
17	Screw, M8 x 25, skt. button hd. S/S, latch to clamshell			A111W7175F	2
18	Washer, flat, M8 x 20.5 x 1.5 S/S, latch to clamshell			A111W4176F	2
19	Screw, M6 x 16, skt. button hd., bracket to clamshell			A082W7105F	3
20	Washer, flat, M6 x 15, bracket to clamshell			A075W4015Z	3
21	Screw, M6 x 16, button skt. hd. S/S, bracket to clamshell		A075W1028Z R/B	A122W5282F	2
22	Washer, flat, M6 x 18 x 1, bracket to clamshell			B082W4018F	2
23	Striker Pin		A082U6091F R/B	A116B0468F	1
24	Nutplate, M10, floating, striker pin fixing			B111U0032F	1
25	Nut, striker pin			A111U6021F	1
26	Spring, striker pin			A111U6023F	1
27	Spring Retainer Cup			A111U6022F	1
28	Rubber Buffer, tailgate stop			X046B6113Z	2



Function Code 10.11x Tailgate & Release Mechanism, Exige

<u>Dep</u>	<u>Part Description</u>	<u>Remarks</u>	<u>Option</u>	<u>Part Number</u>	<u>Qty</u>
29	Bolt, M6 x 35, flg. hd., tailgate stop			A116W2191F	2
30	Locknut, M6, tailgate stop			A082W3085F	2
31	Washer, flat, M6 x 18 x 1, tailgate stop			B082W4018F	1
32	Cable, tailgate release, RHD/LHD	Cut to fit		A122B0253S	1
33	Solderless Nipple, release cable	3 off federal, 2 for item 34		A116W6762F	1
34	'T' Handle/Cable Assembly, emergency release		USA/Canada	A123U0004F	1
35	Trim Panel, tailgate shelf, RH	Bonded to tailgate		A122B0196K	1
35b	Trim Panel, tailgate shelf, RH, '10 MY		2010 MY	A128B4090K	1
36	Trim Panel, tailgate shelf, LH	Bonded to tailgate		A122B0197K	1
36b	Trim Panel, tailgate shelf, LH, '10 MY		2010 MY	A128B4089K	1
37	Trim Panel Assy., tailgate shelf, centre	Bonded to tailgate		A122B0198J	1
38	Finisher, tailgate side	Bonded to tailgate		A122U0043K	2
39	Finisher, tailgate centre	Bonded to tailgate		A122U0044K	2
40	Bracket, support, strut to tailgate			A122U0074S	1
41	Bush, cable to latch			A111U6049F	2
42	Tailgate Stay		Cup 260	A128U0035F	1
43	Retainer, tailgate stay		Cup 260	A128U0034F	1
44	Grommet, tailgate stay		Cup 260	X036B6010Z	1
45	Screw M6 x 16mm but cap		Cup 260	A082W7105F	2





EXIGE

10.13x

Updated 7th June 2010

Service Parts List

EXIGE



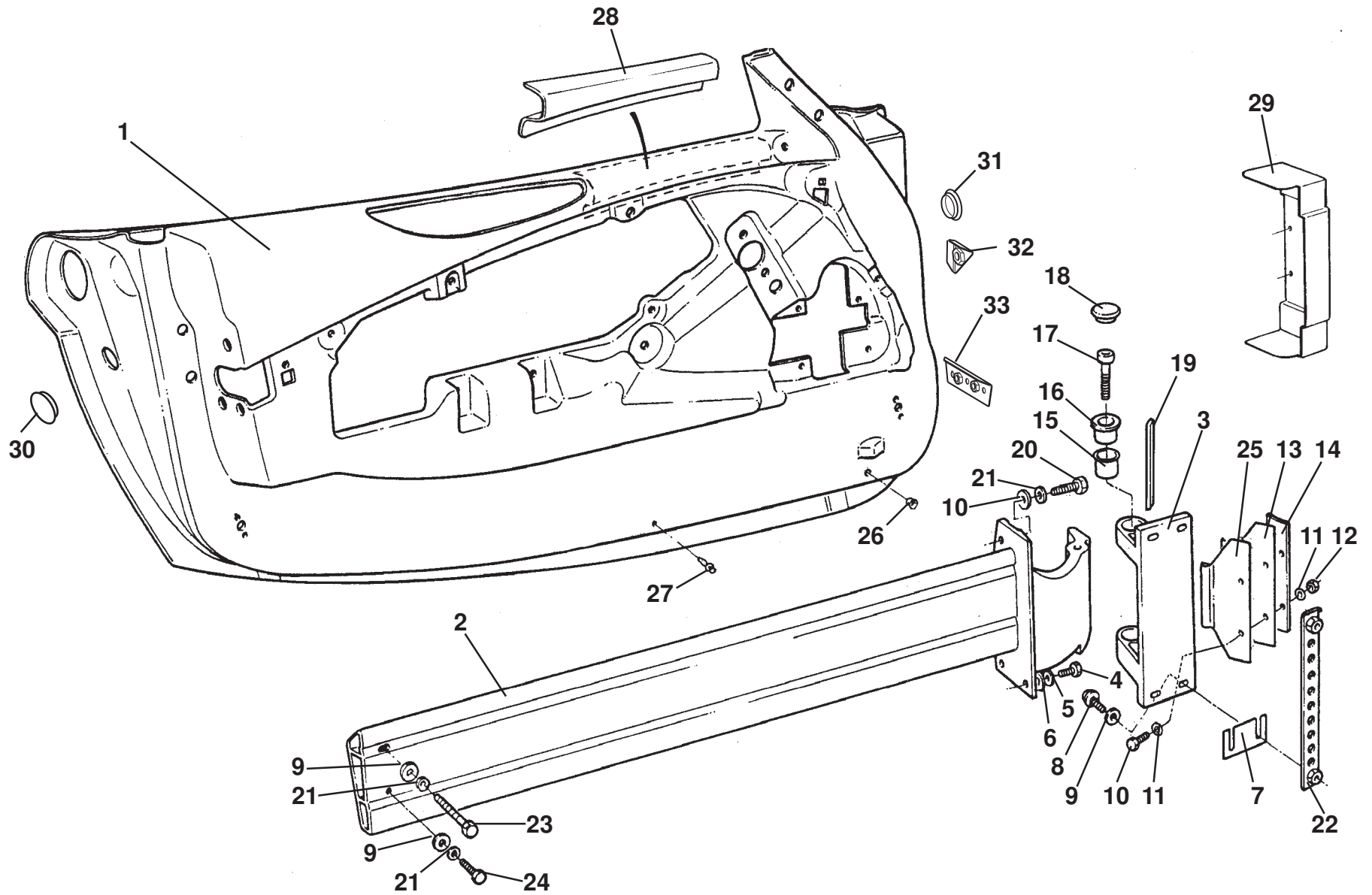
Function Code 10.13x Engine Compartment Finisher Panels, Exige

<u>Dep</u>	<u>Part Description</u>	<u>Remarks</u>	<u>Option</u>	<u>Part Number</u>	<u>Qty</u>
01	Finisher Panel, engine bay, RH			A122U0024K	1
02	Finisher Panel, engine bay, LH			A122U0025K	1
03	Finisher Panel, engine bay bulkhead, front			A122U0026K	1
04	Pop Rivet, black, bulkhead panel fixing		A111W6534F R/B	A117W6734F	2
04a	Washer, flat, M5 x 19 1.4, black, bulkhead panel fixing	Not illustrated	A111W6534F R/B	A082W4107F	2
04b	Washer, flat, 3/16" x 3/4", bulkhead panel fixing	Not illustrated	A111W6534F R/B	A075W4009Z	2
05	Terry Clip, side panels to stays			A122W6777F	4
06	Pop Rivet, black, clip to panel			A082W6512F	4
07	Edge Finisher/Seal, side panels			A117U6001V	725mm

EXIGE

Function Code: 10.13x, Page: 1

Updated 27th September 2012



ELISE
10.15

Updated 27th february 2013

Service Parts List **ELISE**



Function Code 10.15 Door Shells, Beams, Hinges

<u>Dep</u>	<u>Part Description</u>	<u>Remarks</u>	<u>Option</u>	<u>Part Number</u>	<u>Qty</u>
01	Door Shell, LH		D117B0061K R/B	E117B0061K	1
01a	Door Shell, RH		D117B0060K R/B	E117B0060K	1
02	Door Beam, LH			A116U0029F	1
02a	Door Beam, RH			A116U0030F	1
03	Hinge, chassis to door beam			A111U0055F	2
04	Setscrew, M6 x 20, hex. hd., beam to door fix.			A075W1030Z	4
05	Washer, shakeproof, M6			A075W4046Z	4
06	Washer, flat, M6 x 1.5			A075W4015Z	4
07	Shim, door hinge, 1.0mm			A111B0316F	As req
07a	Shim, door hinge, 1.25mm			A116B0388F	As req.
07b	Shim, door hinge, 1.5mm			A111B0317F	As req
07c	Shim, door hinge, 2.0mm			B111B0314F	As req.
08	Screw, M8 x 30, hex flg hd.			A116W5245F	8
09	Washer, flat, M8 x 16.6 x 1.4			A075W4020Z	18
10	Screw, M6 x M20, hex. hd.			A075W1030Z	4
11	Washer, flat, M6			A075W4013Z	8
12	Nut, M6, Nyloc			A075W3009Z	4
13	Spring Plate, door check	Fit follower, item 25 to plate		C111B0174F	2

ELISE

Function Code: 10.15, Page: 1

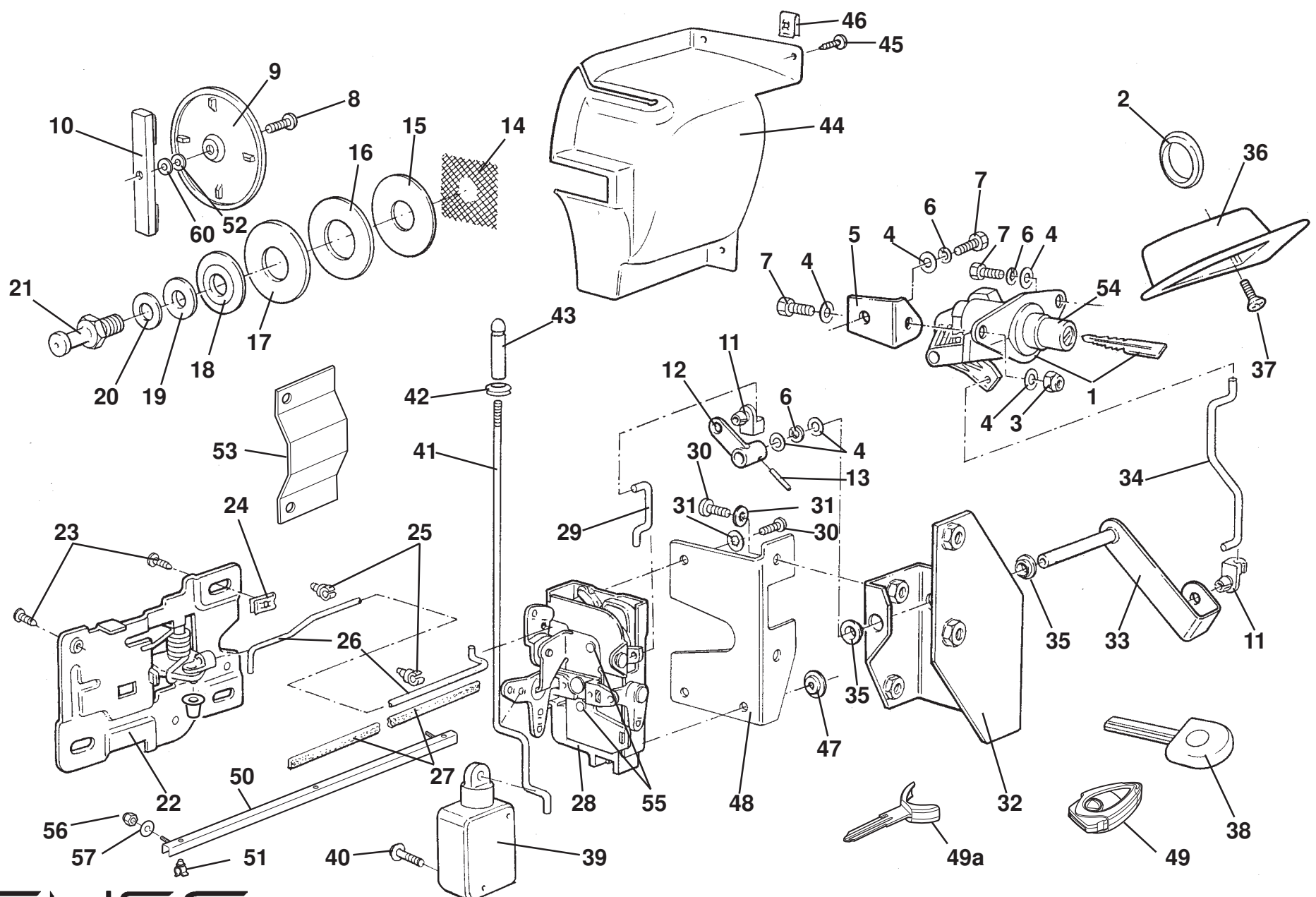
Updated 2nd February 2015

Function Code 10.15 Door Shells, Beams, Hinges

<u>Dep</u>	<u>Part Description</u>	<u>Remarks</u>	<u>Option</u>	<u>Part Number</u>	<u>Qty</u>
14	Support Plate, door check spring			C111B0175F	2
15	Bearing, door hinge			A111U6025F	4
16	Bush, door hinge			A111U0057F	4
17	Screw, M10 x 30, cap hd.			A075W7030F	4
18	Dust Cap, door hinge			A111U6024F	2
19	Door Stop Buffer Strip	Cut to fit, 135mm, 2 off	B111B0178K R/B	B111B0177V	As req.
20	Setscrew, M8 x 20, hex. hd., beam to door fix.			A075W1038Z	4
21	Washer, shakeproof, M8			A075W4048Z	10
22	Nutplate, door hinges	Fitted in chassis		A111U0056F	4
23	Bolt, M8 x 45, hex,hd.,beam to rear bracket, upper			A075W2040Z	2
24	Setscrew, M8 x 25, hex hd thin, beam to rear bracket, lower			A075W1081Z	2
25	Follower, door check spring	Fit to item 13		A116B0418F	2
26	Finisher Ring, door drainholes			A075P6064F	2
27	Bump Stop Scrivet			A116U0137F	2
28	Door Reinforcement, inner, LH	Bonded inside doorshell		A117B0663F	1
28a	Door Reinforcement, inner, RH	Bonded inside doorshell		A117B0664F	1
29	Cover, door hinge			A116B6006F	2
30	Blanking Grommet, door rear			A082B6057F	2
31	Blanking Grommet, 40mm, door front	Unused door harness hole	Non CDL cars	A116W6730F	2
32	Nutplate, door to beam, upper	Bonded inside doorshell		B111B0082F	2

Function Code 10.15 Door Shells, Beams, Hinges

<u>Dep</u>	<u>Part Description</u>	<u>Remarks</u>	<u>Option</u>	<u>Part Number</u>	<u>Qty</u>
33	Nutplate, door to beam, lower	Bonded inside doorshell		A111B0081F	2
34	Door Curtain, weather sealing	Not illustrated		A117U0152F	2



ELISE
10.17

Updated 3rd March 2014

Service Parts List **ELISE**



Function Code 10.17 Door Latch Mechanism

<u>Dep</u>	<u>Part Description</u>	<u>Remarks</u>	<u>Option</u>	<u>Part Number</u>	<u>Qty</u>
01	Vehicle Lock Set, door, boot, steering, fuel & 2 key blades	(D-code) Order fuel cap (section 44.01) & blank keys (see line 38). Send Notification alarm/lock replacement form to ASO	Up to VINs * see below	C117H0001F	1
01a	Vehicle Lock Set, door, boot, steering, fuel & 2 key blades	(L-code) Order fuel cap (section 44.01) & blank keys (see line 38a). Send Notification alarm/lock replacement form to ASO	From VINs * see below D117H0001F R/B	A120H0006F	1
01b	Vehicle Lock Set, door, boot, steering, fuel & 2 key blades	(L-code) Order fuel cap (section 44.01 & transmitter fob (see section 17.33b/c). Send Notification alarm/lock replacement form to ASO	'08MY	A120H0006F	1
02	Blanking Grommet, linkage access hole			A082B6057F	2
03	Nyloc Nut, M6, support bracket fix.			A075W3009Z	2
04	Washer, flat, M6 x 12.1 x 1.4, support brkt fix			A075W4013Z	12
05	Support Bracket, release button, LH			A117U0001F	1
05a	Support Bracket, release button, RH			A117U0002F	1
06	Washer, wavy, 0.25", support brkt. fix.			A075W4087F	6
07	Setscrew, M6 x 16, support brkt. fix.			A075W1028Z	6
08	Screw, M5 x 16, pozi, cover plate fix			A082W5184F	2
09	Reflector/Cover			A117M6026F	2
10	Fixing Strap, cover plate			A111U0095F	2

ELISE

Function Code: 10.17, Page: 1

Updated 3rd March 2017

Function Code 10.17 Door Latch Mechanism

<u>Dep</u>	<u>Part Description</u>	<u>Remarks</u>	<u>Option</u>	<u>Part Number</u>	<u>Qty</u>
11	Nylon Clip, linkage retention			A082U6267F	6
11a	Bush, nylon	Not illus., fits clip 11 into handle 22/22a see SB 2008/15	A111U6049F R/B	A120U6012F	2
12	Lever, door latch release			B111U0122F	2
13	Roll Pin, door latch lever to spindle retention			A111U6560F	2
14	Shim, expanded stainless, door striker attachment			A111U0215F	2
15	Shim, 2mm, door striker pin			A111U0220F	2
16	Shim, 4mm, door striker pin			A111U0219F	2
17	Front Collar, door striker pin			A111U0138F	2
18	Finisher, door striker pin			A111U0137K	2
19	Washer, striker			A111U0136F	2
20	Washer, flat, M12 x 24 x 1.6, door striker pin			A075W4071F	2
21	Striker Pin, door latch			A111U6003F	2
22	Release, door latch, interior, LH	Includes handle		A111U6005F	1
22a	Release, door latch, interior, RH	Includes handle		A111U6004F	1
23	Screw, No. 8 x 3/4", pozi., door release fix.			A075W5074Z	8
24	Spire Nut, No.8, captive, door release fix.			A075W6016Z	6
25	Plastic Clip, interior release rod guide			A075J6027Z	4
26	Rod, interior release to latch, LH	See SB 2008/15		B117U0137F	1
26a	Rod, interior release to latch, RH	See SB 2008/15		B117U0138F	1
27	Foam Strip, 19 x 3mm			A082U6067F	As req.

Function Code 10.17 Door Latch Mechanism

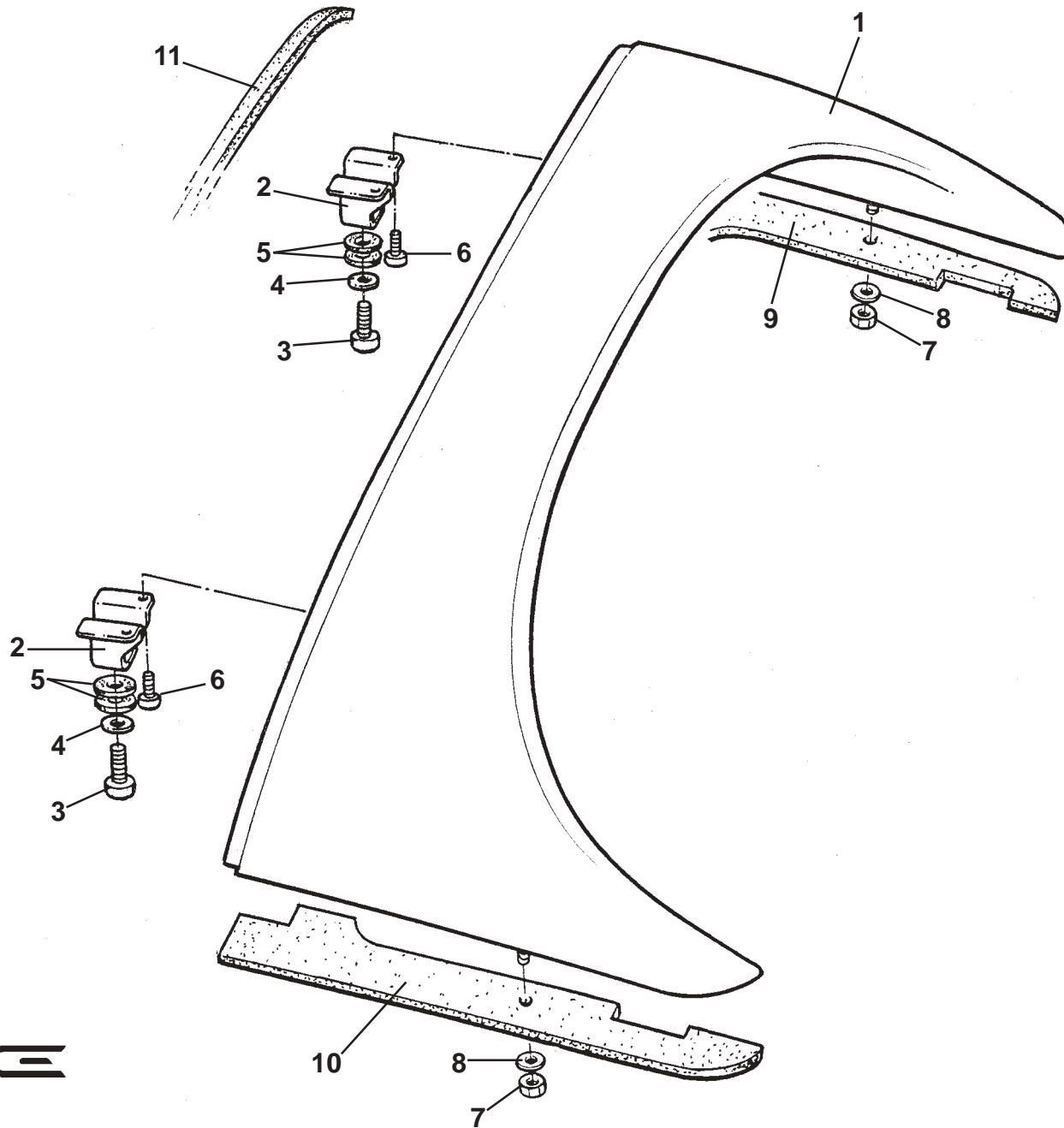
<u>Dep</u>	<u>Part Description</u>	<u>Remarks</u>	<u>Option</u>	<u>Part Number</u>	<u>Qty</u>
28	Latch mechanism, LH			A111U0389S	1
28a	Latch mechanism, RH			A111U0388S	1
29	Rod, latch to lever assy.			A111U0134F	2
30	Screw, M6 x 12, pozi., door latch/ bracket fix.			A111W5214F	10
31	Washer, shakeproof, M6, door latch fix.			A075W4046Z	6
32	Bracket, door beam attachment, LH			B116B0179F	1
32a	Bracket, door beam attachment, RH			B116B0180F	1
33	Spindle/Lever, door latch release, LH			A116U0035F	1
33a	Spindle/Lever, door latch release, RH			A116U0036F	1
34	Rod, latch to release button			A117U0003F	2
35	Bush, lever/spindle assy.			A111U6018F	4
36	Door Pull, exterior, LH			C117B0135F	1
36a	Door Pull, exterior, RH			C117B0136F	1
37	Screw, M4 x 16, csk, cap hd., exterior door pull fix.	Black dacromet finish		A117W7208F	4
38	Blank Key, with keyhole Light	(D-code) For item 1	Prior to VINs * see below	A117H0022F	2
38a	Blank Key, without light	(L-code) For item 1a	From VINs * see below	A120H6002S	2
39	Actuator, central door locking	If unavailable fit items 39a, 39b, 41a and refer to TSB 2015/08		B116M6039F	2
40	Screw, No.8 x 3/4" flg. hd. pozi. CDL Actuator to door	Black finish		A075W5074Z	4
41	Rod, CDL to sill button			A117U0329F	2
42	Grommet, button through sill			X036L6004Z	2

Function Code 10.17 Door Latch Mechanism

<u>Dep</u>	<u>Part Description</u>	<u>Remarks</u>	<u>Option</u>	<u>Part Number</u>	<u>Qty</u>
43	Button, door locking			A117U0330F	2
44	Cover, door latch, LH	Latch security		A117U0425F	1
44a	Cover, door latch, RH	Latch security		A117U0426F	1
45	Screw, No. 8 x 0.75", flg. hd. pozi., cover to door			A075W5074Z	6
46	Spirenut, No. 8, cover to door			A075W6016Z	6
47	Washer, top hat, latch to door	Bonded to door, outer fixings only		A117W4192K	2
48	Bracket, latch mounting, LH	Bonded to inner door		A116B0247F	1
48a	Bracket, latch mounting, RH	Bonded to inner door		A116B0248F	1
49	Transmitter Fob	PFK alarm, see 17.33b excludes blade	'08 MY	A120M0049F	2
49a	Key Blade, uncut	PFK alarm, see 17.33b excludes blade	'08 MY	A120H0008S	2
49b	Key Blade, cut	PFK alarm, see 17.33b excludes blade	'08 MY	A120H0009S	2
50	Cover, door release rod, LH			A117U0321F	1
50a	Cover, door release rod, RH			A117U0320F	1
51	Clip, release rod to cover			A082W6457F	6
52	Washer, ABS, reflector to door			A116B0978K	2
53	Bracket, door pull cover			B117U0324F	2
54	Sleeve, door release button			A117H6005S	2
55	Rivet, door release lever pivot			A117H6006S	4
56	Nut M5			A100W3113F	4

Function Code 10.17 Door Latch Mechanism

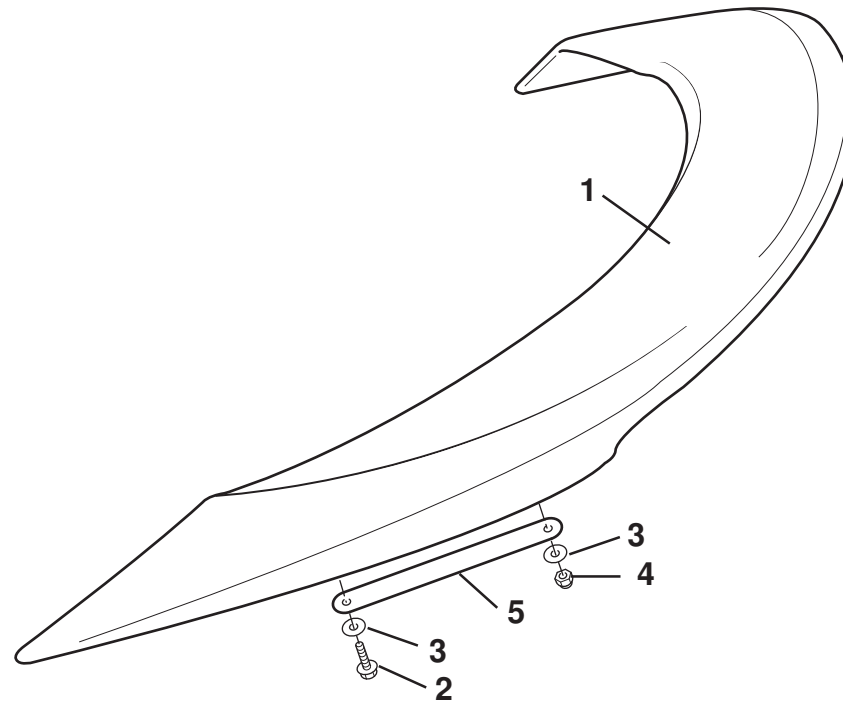
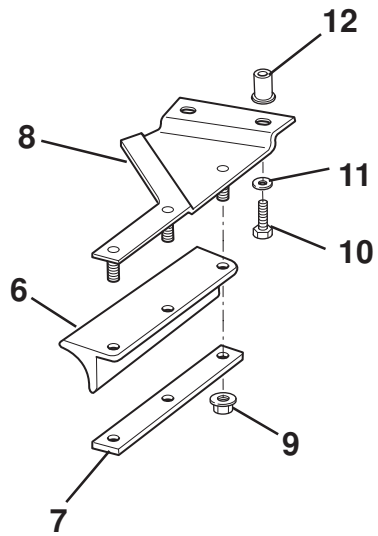
<u>Dep</u>	<u>Part Description</u>	<u>Remarks</u>	<u>Option</u>	<u>Part Number</u>	<u>Qty</u>
57	Washer Flat M5			A075W4011Z	4
58	Lock Lubricant	Not illustrated		A117U6019S	25ml
59	Bush Top Hat			A082U6267F	2
60	Washer M5 Neoprene, reflector to door			A082W4115F	2
		*Elise 5 3437; Exige 5 3347; Elise fed. 5 3436			
		NOTE: For full information on all Lotus Security Sytems, see LSL483g			



ELISE
10.20

Function Code 10.20 Rear Window Shroud & Fixings

<u>Dep</u>	<u>Part Description</u>	<u>Remarks</u>	<u>Option</u>	<u>Part Number</u>	<u>Qty</u>
01	Rear Window Shroud Assembly		Primed	B117B0445K	1
02	Bracket, shroud to bulkhead			B117B0091F	2
03	Screw, M6 x 25, cap hd., bracket to bulkhead			A111W7170F	2
04	Washer, flat, M6 x 18 x 1, bracket to bulkhead			B082W4018F	2
05	Spacer Washer, neoprene, shroud to bulkhead			A111U6055F	4
06	Screw, M5 x 10, flg., button hd., bracket to shroud			A117B0310H	4
07	Nut, M6, rear shroud to clamshell			A075W3020Z	2
08	Washer, flat, M6 x 18 x 1, rear shroud to clamshell			B082W4018F	2
09	Foam Gasket, RH, shroud to clamshell			A117B0484F	1
10	Foam Gasket, LH, shroud to clamshell			A117B0485F	1
11	Foam Strip, self adhesive, shroud to bulkhead			A082U6065F	1.2M



ELISE
10.23

Updated 2nd March 2015

Service Parts List **ELISE**



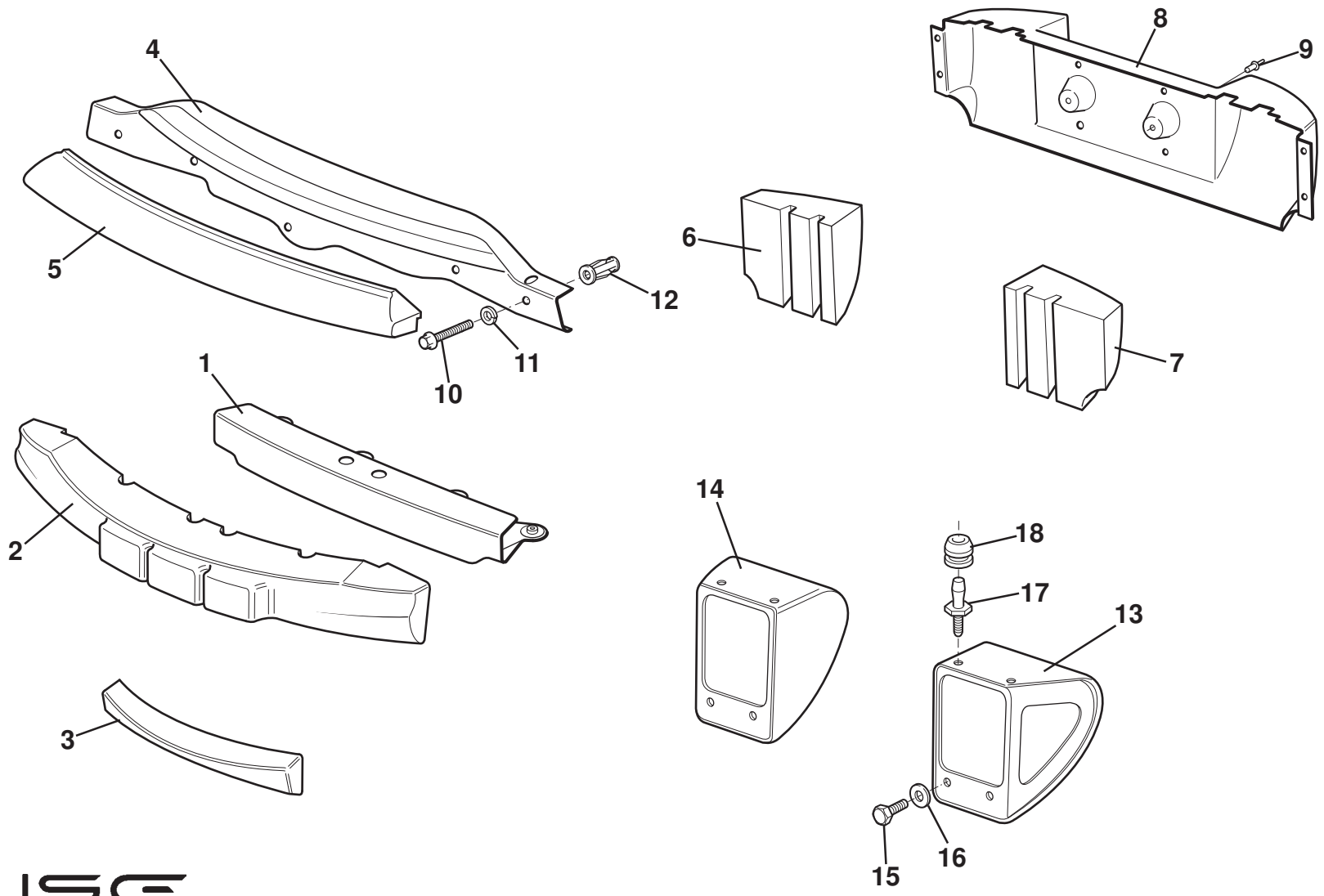
Function Code 10.23 Bumpers, Valences Spoilers & Aerofoils

<u>Dep</u>	<u>Part Description</u>	<u>Remarks</u>	<u>Option</u>	<u>Part Number</u>	<u>Qty</u>
01	Spoiler, rear	Blow moulded plastic, See LSL596		A121B0144F	1
02	Screw, M6 x 14, hex. flg. hd., spoiler to clam.			A116W5233F	2
03	Washer, flat, M6 x 25 x 1.4, spoiler to clam.			B075W4017Z	4
04	Nyloc Nut,, M6, thin, spoiler to clam.			A907E6285F	2
05	Gasket, rear spoiler to clamshell			A121B0150F	2
06	Extrusion, aero flap	Front clam	Elise 2011 MY	A120B0367F	2
07	Bracket, aero flap	Front clam	Elise 2011 MY	A120B0368F	2
08	Bracket, aero flap mounting LH	Front clam	Elise 2011 MY	B120B4113F	1
08b	Bracket, aero flap mounting RH	Front clam	Elise 2011 MY	B120B4114F	1
09	Nut M6 flg hd			A121W3196F	6
10	Screw M5 x 16 hex hd			A111W1163F	4
11	Washer, flat, M6 x 25 x 1.4			B075W4017Z	4
12	Rivnut M5			A132A6007F	4

ELISE

Function Code: 10.23, Page: 1

Updated 2nd March 2015



ELISE
10.23c

Updated 24th June 2010

Service Parts List **ELISE**



Function Code 10.23c Bumpers, Federal Compliant, '07.5 MY onwards

<u>Dep</u>	<u>Part Description</u>	<u>Remarks</u>	<u>Option</u>	<u>Part Number</u>	<u>Qty</u>
..	Armature Assembly, front bumper lower		Common	A121B0099J	1
02	Foam, front bumper lower, Elise		Elise	A121B0101F	1
02a	Foam, front bumper lower, Elise 2011 MY		Elise 2011 MY	A121B0166F	1
03	Foam, front bumper lower, Exige		Exige	A123B0028F	1
03a	Foam, front bumper lower, Exige		Exige 2010 MY	A128B0231F	1
04	Armature Assembly, front bumper upper		Common	A121B0106K	1
05	Foam, front bumper upper		Common	A121B0110F	1
05a	Foam, front bumper upper, Elise 2011 MY		Elise 2011 MY	B121B0165F	1
06	Foam, bumper rear, LH		Common	A121B0111F	1
07	Foam, bumper rear, RH		Common	A121B0112F	1
08	Cover, bumper rear		Common	A121B0113F	1
09	Pop Rivet, large flg., cover to support plate		Common	A089W6297F	2
10	Screw, M6 x 30, hex. flg. hd., upper armature retention	Also driving lamp brkt., see 17.11	Common	A124W5294F	4
11	Washer, spring, M6, upper armature retention	Also driving lamp brkt., see 17.11	Common	A075W4035Z	4
12	Jacknut, M6, upper armature retention	Also driving lamp brkt., see 17.11	Common	A075W3031Z	4
13	Rear Bumper Override Assembly, LH		Elise 2011 MY	A121B4007F	1
14	Rear Bumper Override Assembly, RH		Elise 2011 MY	A121B4008F	1
15	Screw, M6 x 20, hex. hd.. override to bumper		Elise 2011 MY	A075W1030Z	4

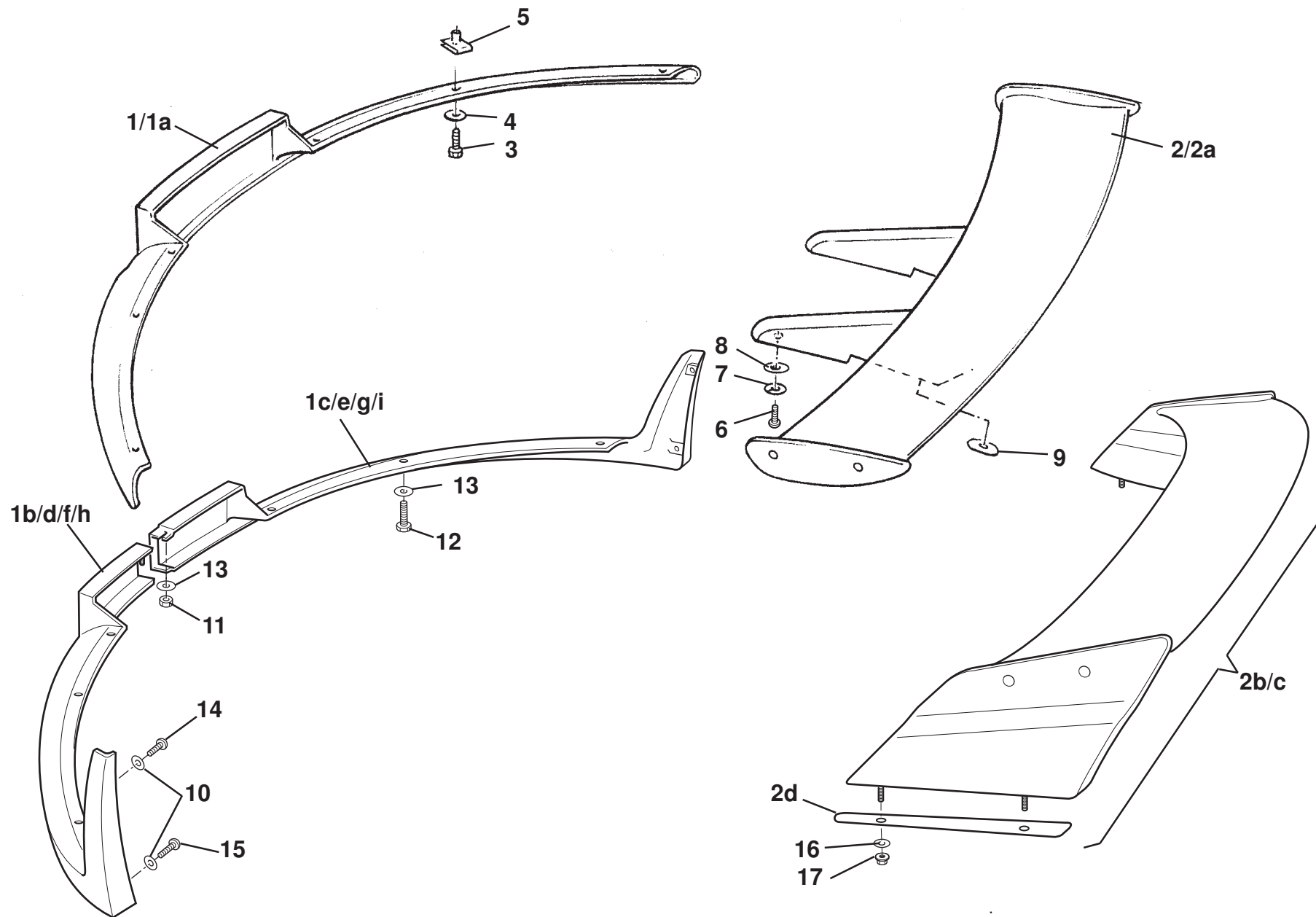
ELISE

Function Code: 10.23c, Page: 1

Updated 1st December 2014

Function Code 10.23c Bumpers, Federal Compliant, '07.5 MY onwards

<u>Dep</u>	<u>Part Description</u>	<u>Remarks</u>	<u>Option</u>	<u>Part Number</u>	<u>Qty</u>
16	Washer, flat, M6 x 18 x 1.0, overrider to bumper		Elise 2011 MY	B082W4018F	4
17	Retaining Stud, overrider to bumper		Elise 2011 MY	A121B6009F	4
18	Grommet, retaining stud, overrider to bumper		Elise 2011 MY	A121B6008F	4



EXIGE

10.23x

Updated 24th June 2011

Service Parts List



Function Code 10.23x Spoilers & Aerofoils, Exige

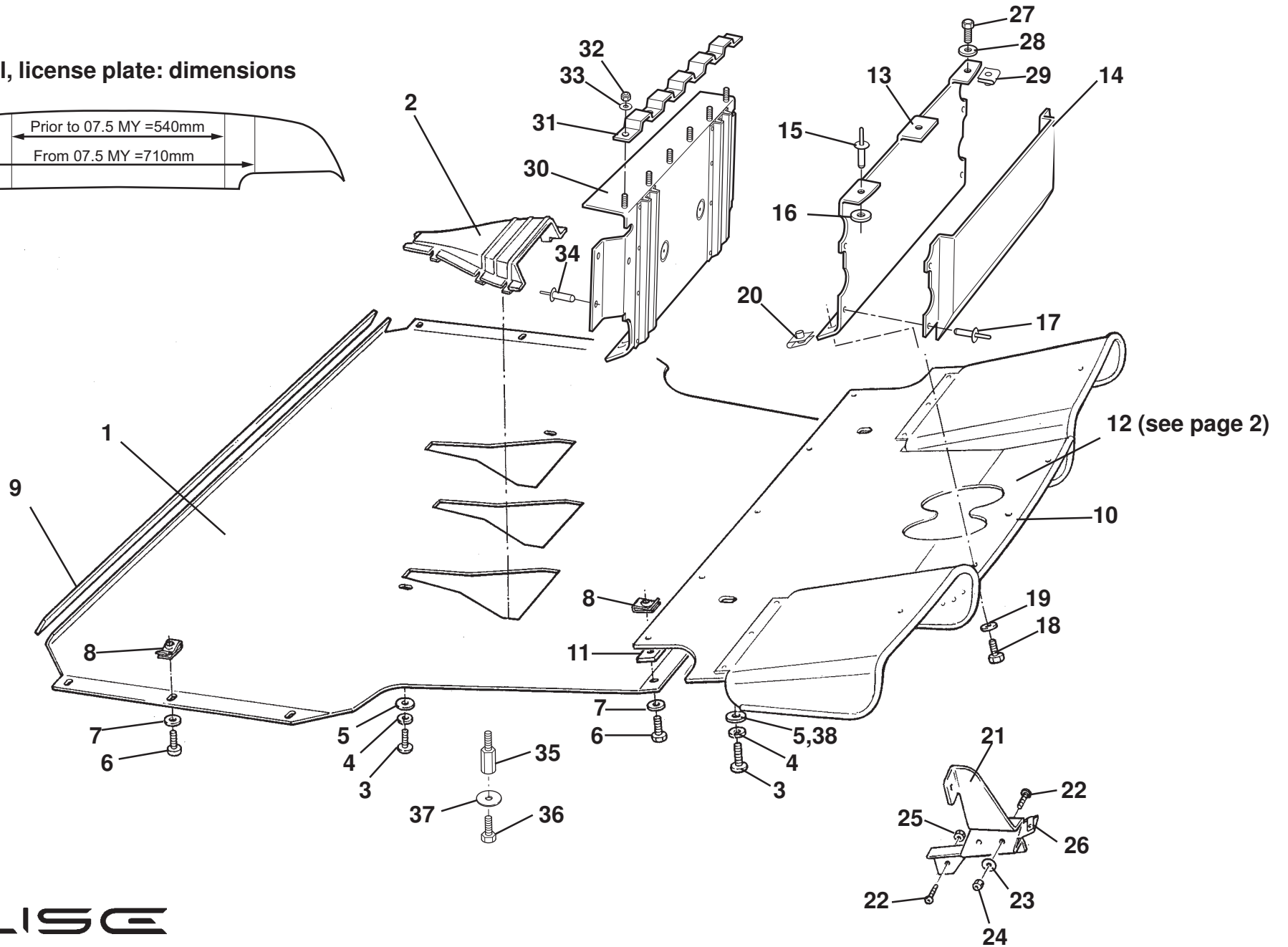
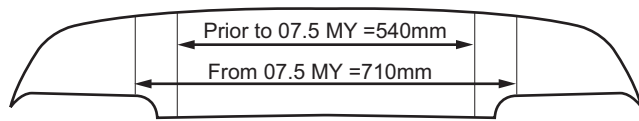
<u>Dep</u>	<u>Part Description</u>	<u>Remarks</u>	<u>Option</u>	<u>Part Number</u>	<u>Qty</u>
01	Front Splitter Panel			A122B0226K	1
01a	Front Splitter Panel, carbon fibre		Cup 260, '09 MY	A128B0146K	1
01b	Front Splitter Panel, LH, '10 MY		'10 MY	A128B4095K	1
01c	Front Splitter Panel, RH, '10 MY		'10 MY	A128B4096K	1
01d	Front Splitter Panel, carbon fibre, LH, '10 MY		Cup 260, '10 MY	A128B4131K	1
01e	Front Splitter Panel, carbon fibre, RH, '10 MY		Cup 260, '10 MY	A128B4132K	1
01f	Front Splitter Panel, LH, federal, '10 MY	No license plate plinth	'10 MY USA + Gulf	A128B4153K	1
01g	Front Splitter Panel, RH, federal, '10 MY	No license plate plinth	'10 MY USA + Gulf	A128B4154K	1
01h	Front Splitter Panel, carbon fibre, LH, federal, '10 MY	No license plate plinth	Cup 260, '10 MY USA + Gulf	A128B4159K	1
01i	Front Splitter Panel, carbon fibre, RH, federal, '10 MY	No license plate plinth	Cup 260, '10 MY USA + Gulf	A128B4160K	1
02	Aerofoil & Strut Assembly		'09 MY	C122B0089F	1
02a	Aerofoil & Strut Assembly, carbon fibre		Cup 260, '09 MY	A128B0153J	1
02b	Aerofoil Assembly, body mounted, '10 MY	Includes fixings	'10 MY	A128B0123F	1
02c	Aerofoil Assembly, body mounted, carbon fibre, '10 MY	Includes fixings	Cup 260, '10 MY	A128B0268J	1
02d	Gasket, aerofoil to body, '10 MY		Cup 260, '10 MY	A128B0259F	2
02e	Aerofoil Fitting Kit	Includes gaskets and fixings	'10 MY	A128B0322S	1
03	Screw, M5 x 10, hex. hd., spoiler to clamshell			A100W1105F	6
04	Washer, flat, M5, spoiler to clamshell			B075W4009Z	6



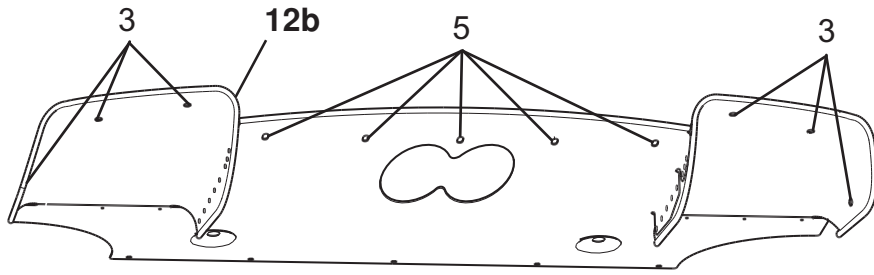
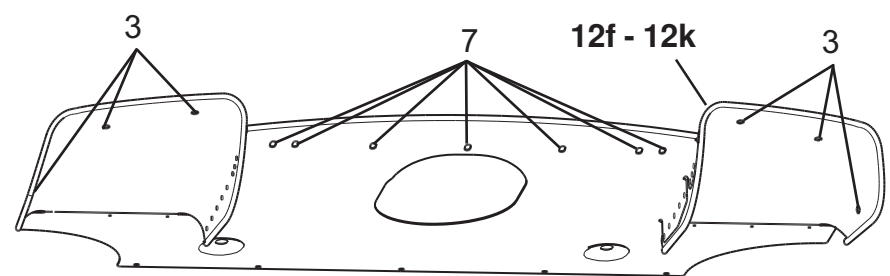
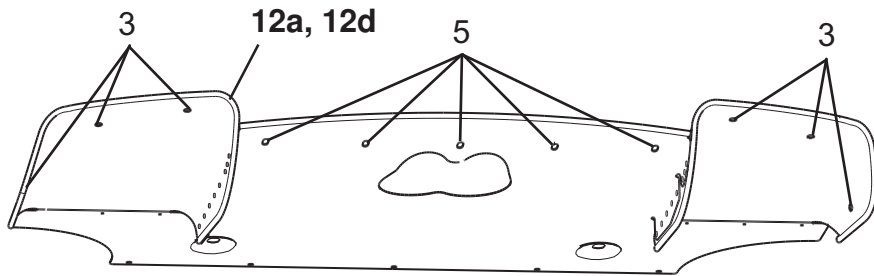
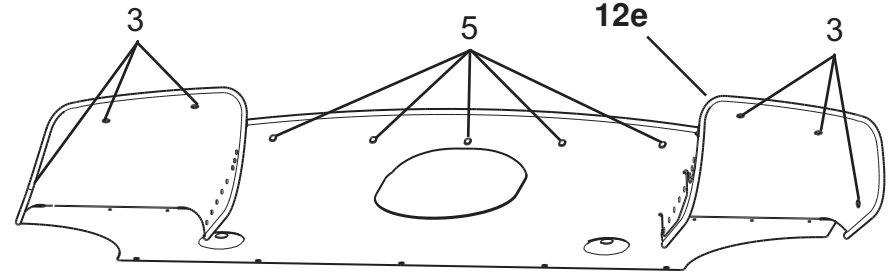
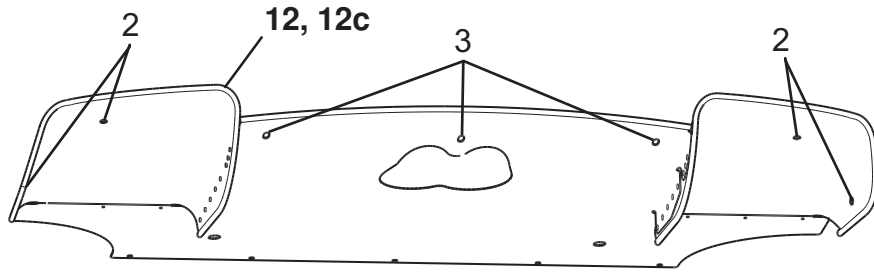
Function Code 10.23x Spoilers & Aerofoils, Exige

<u>Dep</u>	<u>Part Description</u>	<u>Remarks</u>	<u>Option</u>	<u>Part Number</u>	<u>Qty</u>
05	Spirenut, M5, spoiler to clamshell			B100W6372F	6
06	Screw, M5 x 35, flg. button. hd., aerofoil to tailgate			A120W2208F	4
07	Washer.spring, M5, black, aerofoil to tailgate			A082W4097F	4
08	Washer, flat, M5 x 19 x 1.4, black, aerofoil to tailgate			B082W4107F	4
09	Gasket, aerofoil to tailgate			A122B0092F	2
10	Washer, 3/16" x 1/2", front splitter to clamshell, GT4		'10 MY	A075W4000Z	4
11	Nyloc nut, M5 thin, front splitter to clamshell, GT4		'10 MY	A100W3113F	1
12	Screw, M6 x 10 hex. hd, front splitter to clamshell, GT4		'10 MY	A075W1026Z	6
13	Washer, 3/16 x 3/4 x 1.5, front splitter to clamshell, GT4		'10 MY	B075W4009Z	7
14	Screw, M5 x 16 BTN socket, front splitter to clamshell, GT4		'10 MY	A116W5281F	2
15	Screw, M5 x 10 BTN cap, front splitter to clamshell, GT4		'10 MY	A082W7179F	2
16	Washer flat M6 x 25 x 1.4 S/S, spoiler to rear clam		'10 MY	B075W4017Z	4
17	Nut M6 flg hd, spoiler to rear clam		'10 MY	A121W3196F	4

Panel, license plate: dimensions



Diffuser Assembly rear hole configurations



ELISE

10.25 page2

Updated 1st April 2014

Service Parts List **ELISE**



Function Code 10.25 Undertray & Diffuser

<u>Dep</u>	<u>Part Description</u>	<u>Remarks</u>	<u>Option</u>	<u>Part Number</u>	<u>Qty</u>
01	Undertray	Without NACA ducts	A120A0077J R/B	A120A0078F	1
01a	Undertay, reinforced	Without NACA ducts	2010 MY Cup 260, Exige RGB	A128A0018J	1
02	NACA Duct, clip in type			A116A0143F	3
03	Screw, M8 x 25, button hd.		Prior to '06 MY	A111W7175F	4
03a	Screw, M8 x 25, hex. hd.		'06 MY	A111W1156F	4
04	Washer, spring, M8		Prior to '06 MY	A075W4036Z	4
05	Washer, flat, M8 x 25 x 1.4		Prior to '06 MY	A075W4021Z	4
06	Screw, M5 x 16, hex. hd.			A111W1163F	11
07	Washer, flat, M5 x 25 x 1.4			A082W4098F	11
08	Spire Nut, M5			B100W6372F	11
09	Foam Strip, self adhesive, 10mm x 6mm			A100B0431V	As req.
10	Edging Strip. Diffuser, silver**		Elise	A117A0050V	As req.
10a	Edging Strip. Diffuser, black**		Exige	A122A0029V	As req.
11	Foam Strip, self adhesive, 19mm x 3mm			A082U6067F	3
12	Diffuser Assembly, silver	Kidney hole, for 'B' level grilles, 2+3+2 hole configuration at rear	Elise	B120A0074J	1
12a	Diffuser Assembly, silver	Kidney hole, 3+5+3 hole configuration at rear	Elise	C120A0074J	1
12b	Diffuser Assembly, silver	Fits level 2 option, 3+5+3 hole configuration at rear	Elise option	A120A0125S	1

ELISE

Function Code: 10.25, Page: 1

Updated 1st April 2014

Function Code 10.25 Undertray & Diffuser

Dep	Part Description	Remarks	Option	Part Number	Qty
12c	Diffuser Assembly, black	Kidney hole, 2+3+2 hole configuration at rear	Exige	A122A0015J	1
12d	Diffuser Assembly, black	Kidney hole, 3+5+3 hole configuration at rear	'06 MY Exige	A122A0062J	1
12e	Diffuser Assembly, black	Oval hole, 3+5+3 hole configuration at rear	Exige supercharged, '06 MY	A128A0002J	1
12f	Diffuser Assembly, black	Oval hole, 3+7+3 hole configuration at rear	Elise, Exige S, Euro, 07.5 MY	A121A0025J	1
12g	Diffuser Assembly, silver	Oval hole, 3+7+3 hole configuration at rear	Elise, Euro, 07.5 MY	A121A0026J	1
12h	Diffuser Assembly, black, reinforced, federal,	Oval hole, 3+7+3 hole configuration at rear	Elise, Exige S, USA, '07.5 MY	A121A0038S	1
12i	Diffuser Assembly, silver, reinforced, federal	Oval hole, 3+7+3 hole configuration at rear	Elise, USA, '07.5 MY	A121A0039S	1
12j	Diffuser Assembly, black	Oval hole, 3+7+3 hole configuration at rear and two spacers at front	Cup 260, Exige RGB	A128A0024J	1
12k	Diffuser Assembly, black, reinforced, federal	Oval hole, 3+7+3 hole configuration at rear and two spacers at front	Cup 260, Exige RGB Fed	A128A0033S	1
13	Support plate, diffuser, black	5 lower fixings	Prior '07.5 MY, D120A0082F R/B	F120A0082F	1
14	Panel, licence plate mounting, rectangular plate	540mm wide, see illustration	Euro	B117A0143F	1
14a	Panel, licence plate mounting, square plate	540mm wide, see illustration	USA/Canada/Japan	A121B0036F	1
14b	Panel, licence plate mounting, rectangular plate	710mm wide, see illustration	Euro, '07.5 MY	A120A0147F	1
14c	Panel, licence plate mounting, square plate	710mm wide, see illustration	USA/Canada/Japan, '07.5 MY	A120A0148F	1

ELISE

Function Code: 10.25, Page: 2

Updated 1st April 2014

Function Code 10.25 Undertray & Diffuser

<u>Dep</u>	<u>Part Description</u>	<u>Remarks</u>	<u>Option</u>	<u>Part Number</u>	<u>Qty</u>
14d	Pulsert, M6 x 30, license plate to panel	Not illustrated	USA/Canada/Japan	A079W6156F	4
14e	Screw, M6 x 16, pan, torx hd. S/S, license plate fixing	Not illustrated	USA/Canada/Japan	A117W2213F	4
15	Pop Rivet, plate to boot floor			A089W6297F	3
16	Washer, flat, 3/16" x 0.75", plate to boot floor			B075W4009Z	3
17	Pop Rivet, domed. black, licence plate panel to plate			A082W6512F	3
18	Screw, M5 x 16, hex. hd. S/S, diffuser to plate/grilles		Elise	A111W1163F	9
18a	Screw, M5 x 16, hex. hd. S/S, diffuser to plate/grilles		Elise, '07.5 MY	A918W1152F	9
18b	Screw, M5 x 16, hex. hd. S/S, black, diffuser to plate/grill		Exige	A082W1088F	9
18c	Screw, M6 x 16, hex. hd. S/S, black, diffuser to plate/grill		Exige, '07.5 MY	A111W1153F	9
19	Washer, flat, 3/16 x 0.75, S/S, diffuser to plate/grilles		Elise	B075W4009Z	9
19a	Washer, flat, M6 x 18 x 1.6, S/S, diffuser fixing		Elise, '07.5 MY	A121W4196F	9
19b	Washer, flat, M5 x 19 x 1.4, S/S, black, diffuser fixing		Exige	B082W4107F	9
19c	Washer, flat, M6 x 15 x 1.5, S/S, black, diffuser fixing		Exige, '07.5 MY	A082W4133F	9
20	Spirenut, M5		Common	B100W6372F	9
20a	Spirenut, M6		Common, '07.5 MY	A117W6715F	9
21	Bracket, clamshell to diffuser, LH		Exige	B122B0133F	1
21a	Bracket, clamshell to diffuser, RH		Exige	B122B0132F	1
22	Screw, M6 x 16, button skt. hd., bracket to clam. & diffuser		Exige	A082W7105F	4
23	Washer, flat, M6 x 25, bracket to clamshell		Exige	A082W4131F	4
24	Nyloc Nut, M6, thin, bracket to clamshell		Exige	A907E6285F	2
25	Nut, M6, phildas, bracket to diffuser		Exige	A117W3187F	2

ELISE

Function Code: 10.25, Page: 3

Updated 1st April 2014

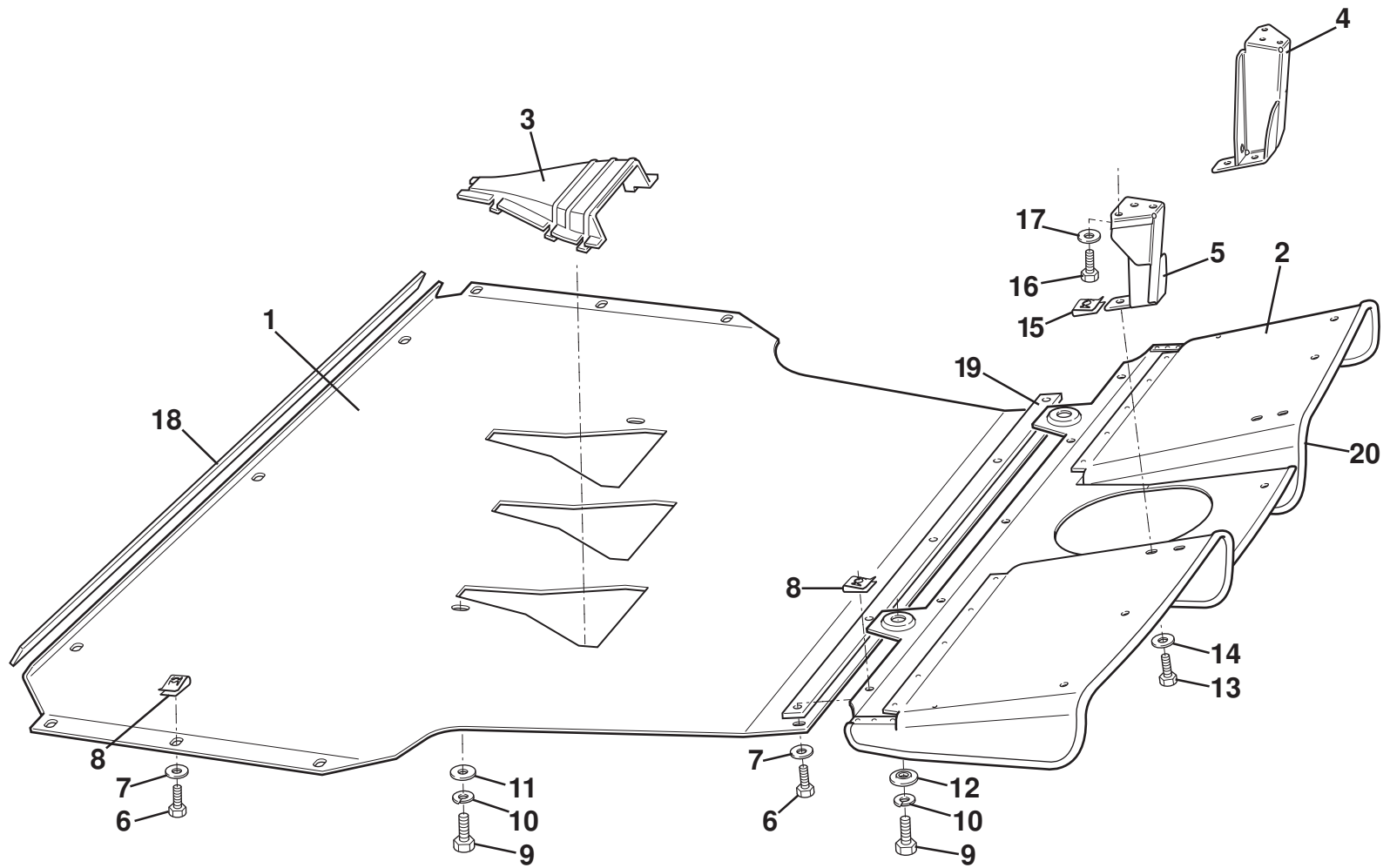
Function Code 10.25 Undertray & Diffuser

<u>Dep</u>	<u>Part Description</u>	<u>Remarks</u>	<u>Option</u>	<u>Part Number</u>	<u>Qty</u>
26	Spirenut, M6, bracket to grille	Also see 12.03	Exige	A117W6715F	2
27	Screw, M6 x 20, hex. hd., plate to boot floor	Replaces items, 15 & 16		A075W1030Z	3
28	Washer, flat, M6 x 18 1.0, plate to boot floor	Replaces items, 15 & 16		B082W4018F	3
29	Spirenut, plate to boot floor	Replaces items, 15 & 16		A117W6715F	3
30	Support Plate Assy., reinforced, diffuser, black, federal	7 lower fixings, for rear bumper fitment; see 10.23c	USA, '07.5 MY	A121A0043J	1
30a	Support Plate, diffuser, black	7 lower fixings, Without reinforcement	ROW, '07.5 MY	A121A0044F	1
31	Plate, boot floor reinforcing	Included in clam assembly	Common, '07.5 MY	A121A0047F	1
32	Nyloc Nut, M6, plate to boot floor		Common, '07.5 MY	A907E6285F	6
33	Washer, flat, M6 x 18, plate to boot floor		Common, '07.5 MY	A121W4196F	6
34	Pop Rivet, plate to license plate mount & grilles		Common, '07.5 MY	A117W6725F	4
35	Threaded Adaptor		2010 MY Cup 260, Exige RGB	A128A0028F	4
36	Screw, M8 x 25, hex. hd.		2010 MY Cup 260, Exige RGB	A111W1156F	4
37	Washer M8 x 25 x 1.5 s/s		2010 MY Cup 260, Exige RGB	B075W4021Z	4
38	Spacer, screw to diffuser		'06 MY	A120A0121F	2
38a	Spacer, screw to diffuser, federal		USA, '07.5 MY	A121A0046F	2
38b	Spacer Diffuser Rear		Cup 260, Exige RGB	A128A0026F	2
38c	Spacer Diffuser Rear		Cup 260, Exige RGB Fed	A128A0029F	2

*For Japan front license plate mounting, see section 12.07

Function Code 10.25 Undertray & Diffuser

<u>Dep</u>	<u>Part Description</u>	<u>Remarks</u>	<u>Option</u>	<u>Part Number</u>	<u>Qty</u>
		**Use adhesive: GE-Bayer Silicons, RTV 108 clear			



ELISE

10.25a

Updated 19th December 2010

Service Parts List **ELISE**



Function Code 10.25a Undertray & Diffuser, Elise 2011 MY

<u>Dep</u>	<u>Part Description</u>	<u>Remarks</u>	<u>Option</u>	<u>Part Number</u>	<u>Qty</u>
01	Undertray Assembly, silver	Incl. NACA ducts & edging strips		A120A0165J	1
01a	Undertray Assembly, black	Incl. NACA ducts & edging strips		A120A0167J	1
02	Diffuser Assembly, silver			A120A0159J	1
02a	Diffuser Assembly, black			A120A0162J	1
03	NACA Duct, clip in type			A116A0143F	3
04	Bracket, diffuser support, RH			A120A4016F	1
05	Bracket, diffuser support, LH			A120A4015F	1
06	Screw, M5 x 16, hex. hd. S/S, undertray fixing	Silver undertray		A111W1163F	11
06a	Screw, M5 x 16, hex. hd.S/S black, undertray fixing	Black undertray		A126W1214F	11
07	Washer, flat, 3/16" x 0.75", S/S, undertray fixing	Silver undertray		B075W4009Z	11
07a	Washer, flat, M5 x 19 x 1.4, S/S black, undertray fixing	Black undertray		B082W4107F	11
08	Spire Nut, M5, undertray fixing			B100W6372F	11
09	Screw, M8 x 25, hex. hd., undertray & diffuser fixing			A111W1156F	4
10	Washer, spring, M8, undertray & diffuser fixing			A075W4036Z	4
11	Washer, flat, M8 x 25 x 1.4, undertray fixing			A075W4021Z	2
12	Spacer, screw to diffuser			A120A0121F	2
13	Screw, M5 x 16, hex. hd., diffuser to bracket	Silver diffuser		A111W1163F	4
13a	Screw, M5 x 16, hex. hd.S/S black, undertray fixing	Black diffuser		A126W1214F	4

ELISE

Function Code: 10.25a, Page: 1

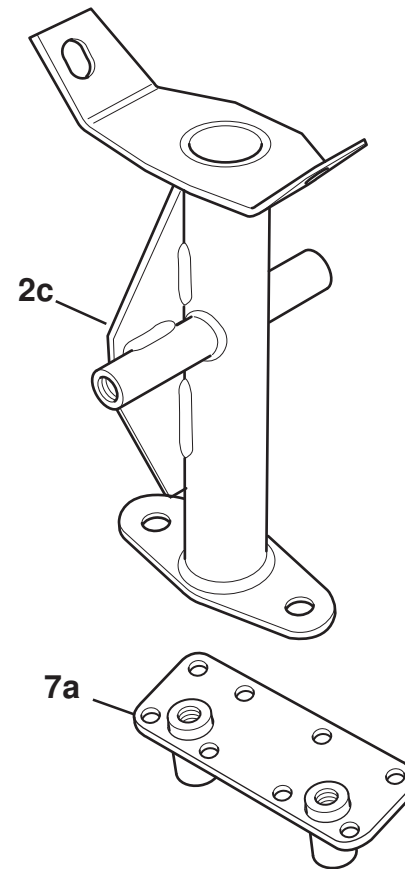
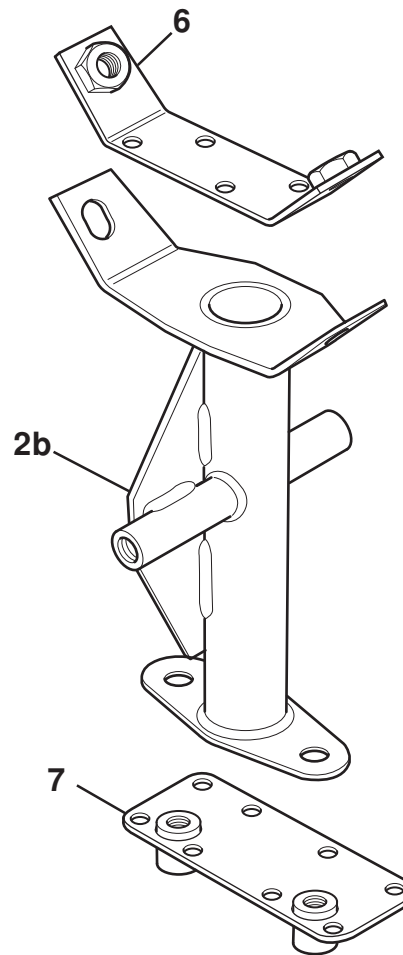
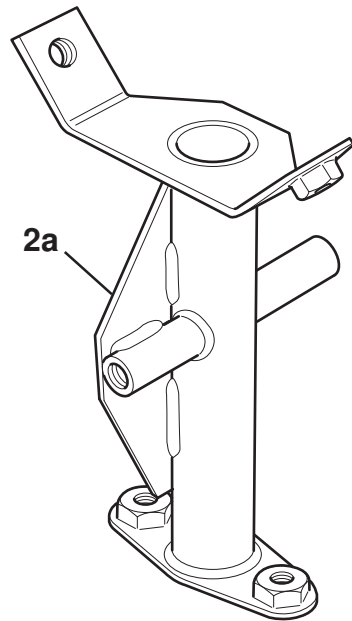
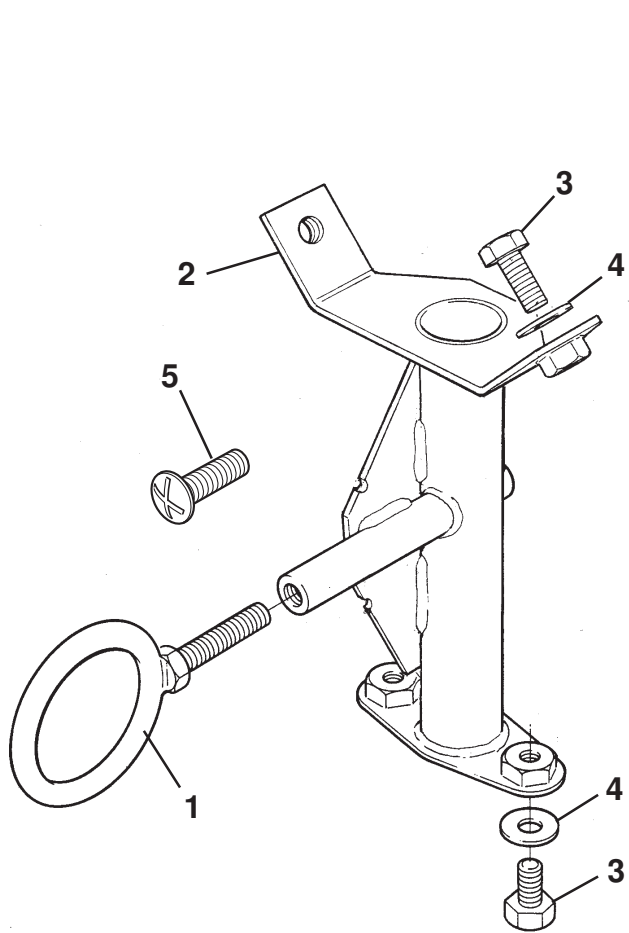
Updated 19th December 2010

Function Code 10.25a Undertray & Diffuser, Elise 2011 MY

<u>Dep</u>	<u>Part Description</u>	<u>Remarks</u>	<u>Option</u>	<u>Part Number</u>	<u>Qty</u>
14	Washer, flat, 3/16" x 0.75", diffuser to bracket	Silver diffuser		B075W4009Z	4
14a	Washer, flat, M5 x 19 x 1.4, S/S black, undertray fixing	Black diffuser		B082W4107F	4
15	Spirenut, M5, diffuser to bracket			A117W6715F	4
16	Screw, M5 x 16, hex. hd., bracket to clamshell			A111W1163F	6
17	Washer, flat, 3/16" x 0.75", bracket to clamshell			B075W4009Z	6
18	Foam Strip, self adhesive, 10mm x 6mm			A100B0431V	As req.
19	Foam Strip, self adhesive, 19mm x 3mm			A082U6067F	As req.
20	Edging Strip. Diffuser, silver*			A117A0050V	As req.
20a	Edging Strip. diffuser, black*			A122A0029V	As req.

Note: other diffuser fixings shown
with rear grille in section 12.03a

*Use adhesive: GE-Bayer
Silicons, RTV 108 clear

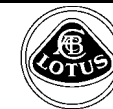


ELISE

10.31

Updated 25th January 2012

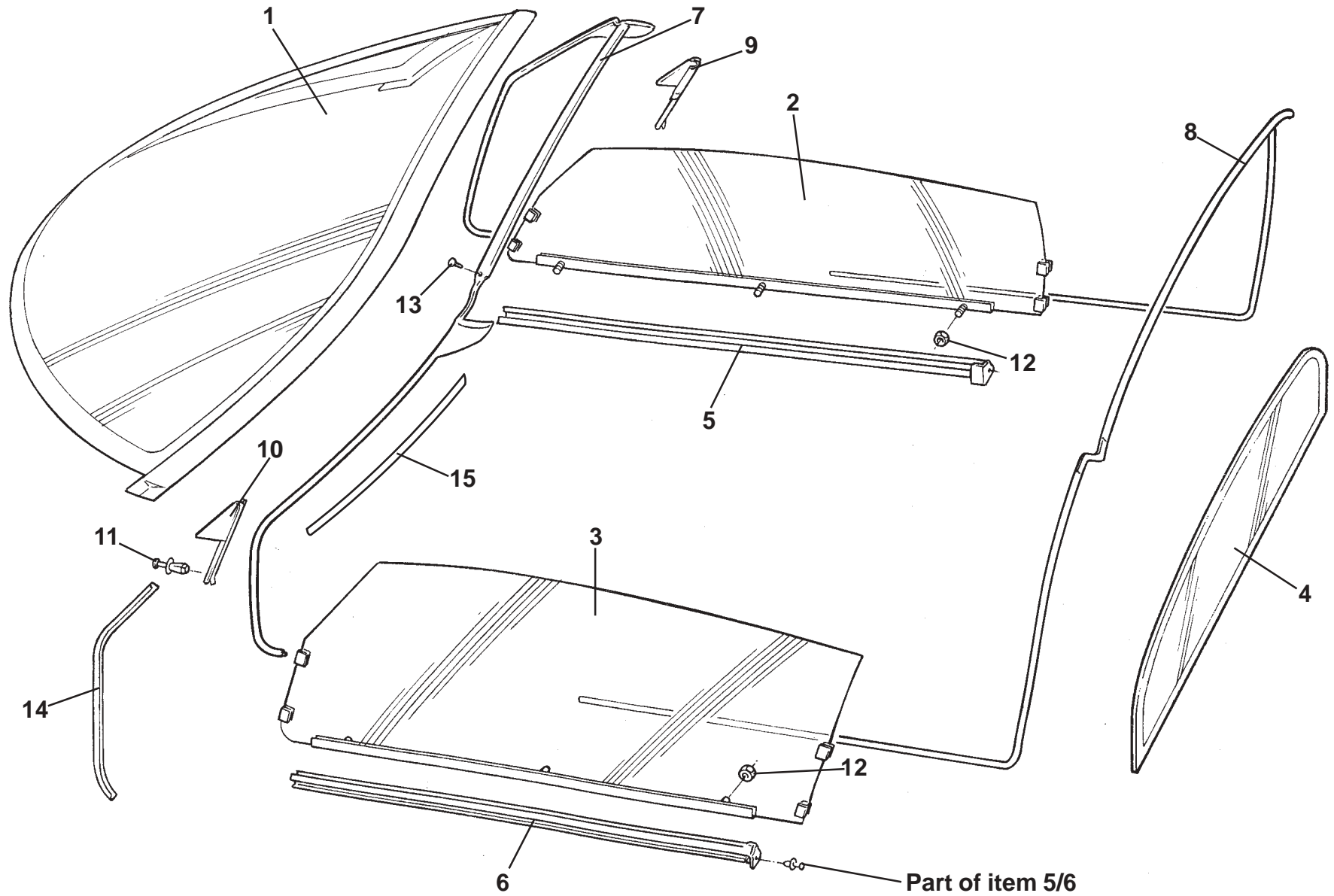
Service Parts List **ELISE**



Function Code 10.31 Towing Strut/ Hook

<u>Dep</u>	<u>Part Description</u>	<u>Remarks</u>	<u>Option</u>	<u>Part Number</u>	<u>Qty</u>
01	Towing Eye	Stowed in tool kit		B111B0399F	1
02	Mounting Strut, towing eye	All markets	Exige, 06 MY & Elise, prior to '07.5 MY	B117B0160F	1
02a	Mounting Strut, towing eye	All markets	Exige, to 06 MY	A122B0126F	1
02b	Mounting Strut, towing eye*	For nutplates items 6, 7	Exige & Elise, Euro, 07.5 MY	A120U0092F	1
02c	Mounting Strut, towing eye, federal	For nutplates items 6, 7a	Exige & Elise, USA, '07.5 MY	A121U0164F	1
03	Setscrew, M8 x 25, hex. hd., grade 8.8 Zn			A120W1000F	4
04	Washer, flat, M8 x 1.4 Zn			A075W4021Z	4
05	Screw, M8 x 20, black plastic, strut blanking		Exige	A121W5280F	1
06	Nutplate, bonded, upper towing strut	Bonded to crash structure	Common, '07.5 MY	A120B0203F	1
07	Nutplate, bonded, lower towing strut	Bonded to crash structure	Euro, '07.5 MY	A120B0200F	1
07a	Nutplate, bonded, lower towing strut, federal	Bonded to crash structure	USA, 07.5 MY	A121B0102F	1

*Also use if replacing pre 7.5 MY crash structure with B level option see section 10.04



ELISE
11.01

Service Parts List **ELISE**



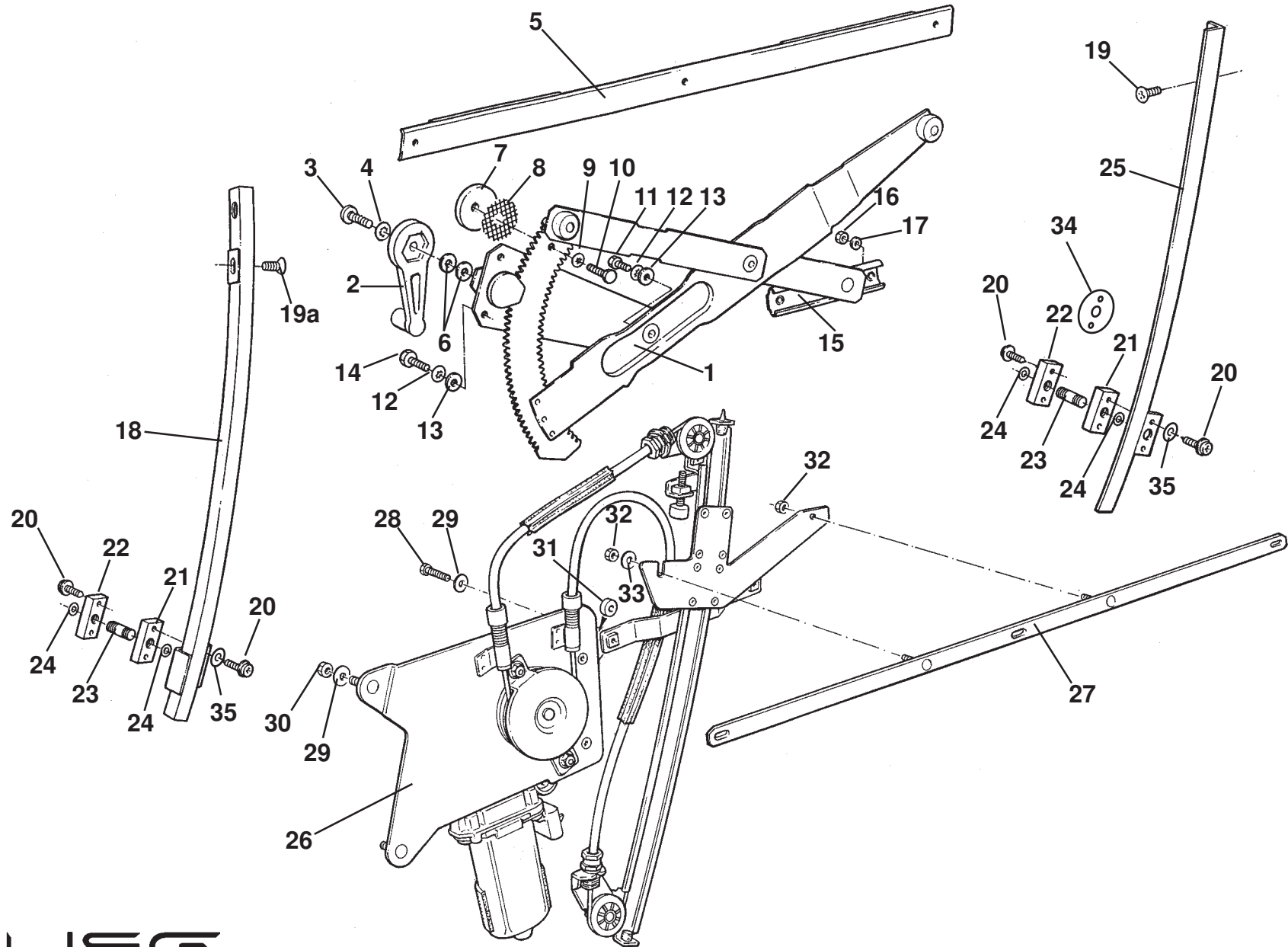
Function Code 11.01 Windscreen, Door Glass, Seals & Weather Strips

<u>Dep</u>	<u>Part Description</u>	<u>Remarks</u>	<u>Option</u>	<u>Part Number</u>	<u>Qty</u>
01	Windscreen & Finisher Assembly			A117B0094F	1
01a	Windscreen & Finisher Assembly, solar	No green tinted band	Gulf States only	A128B0156F	1
02	Door Glass Assembly, RH			F116B0186F	1
03	Door Glass Assembly, LH			F116B0185F	1
04	Rear Window, glass	Bonded to bulkhead		A117B0138F	1
05	Seal Assembly, door waist, RH	Includes plastic fastener		B117U0010F	1
06	Seal Assembly, door waist, LH	Includes plastic fastener		B117U0009F	1
07	Door Front/Roof Seal Assembly			A116V0273F	1
08	Door Rear/Roof Seal Assembly			A116V0098F	1
09	Door Cheater Seal, RH			B117U0134F	1
10	Door Cheater Seal, LH			B117U0133F	1
11	Plastic Fastener, cheater seal fix.			A079W6195F	2
12	Nyloc Nut, M6, glass to lift channel			A907E6285F	6
13	Plastic Fastener, header seal fix.			A116W6722F	2
14	Secondary Door Seal, 600mm, front	Front inside face of door		A117U0429V	2
15	Seal 'A' Pillar, noise reduction, LH		'07 MY	A117U0508F	1
15a	Seal 'A' Pillar, noise reduction, RH		'07 MY	A117U0509F	1
16	Loctite 382 Adhesive, cheater/waist seals to door	Not illustrated		A111B6098V	20gm

ELISE

Function Code: 11.01, Page: 1

Updated 1st August 2015



ELISE
11.02

Updated 4th April 2013

Service Parts List **ELISE**



Function Code 11.02 Door Window Lift Mechanism

<u>Dep</u>	<u>Part Description</u>	<u>Remarks</u>	<u>Option</u>	<u>Part Number</u>	<u>Qty</u>
01	Window Regulator, RH			C111U0082K	1
01a	Window Regulator, LH			C111U0083K	1
02	Window Winder Handle, alloy brushed	Includes fixings		A117U0442F	2
03	Screw, M5 x 12, button. skt. hd., regulator handle fix,	Supplied with handle		A111W7138F	2
04	Washer, shakeproof, M5, regulator handle fix,	Supplied with handle		A075W4045Z	2
05	Glass Carrier Channel			B116U0130F	2
06	Spacer, window regulator handle			A082W4109F	4
07	Eccentric Stop			A116U0166F	2
08	Mesh Washer, eccentric stop			A116U0167K	1
09	Washer, shakeproof			A075W4046Z	2
10	Setscrew, eccentric stop fix.			A100W1055F	2
11	Setscrew, regulator fix			A075W1028Z	2
12	Washer, flat,,M6 x 20 x 2.5			A075W4016Z	6
13	Washer, flat, M6 x 25 x 1.4			A075W4017Z	6
14	Setscrew M6, regulator fix			A075W1027Z	4
15	Guide Channel, window regulator			A117U0285F	2
16	Nyloc Nut, M5, channel fix.			A100W3113F	4
17	Washer, flat, 3/16 x 0.5", channel rear fix.			A075W4000Z	2

ELISE

Function Code: 11.02, Page: 1

Updated 1st December 2014

Function Code 11.02 Door Window Lift Mechanism

<u>Dep</u>	<u>Part Description</u>	<u>Remarks</u>	<u>Option</u>	<u>Part Number</u>	<u>Qty</u>
17a	Washer, flat, 3/16 x 0.75", channel front fix.			A075W4009Z	2
18	Guide Rail, door glass, front, LH			C116U0007F	1
18a	Guide Rail, door glass, front, RH			C116U0006F	1
19	Screw, M5 x 12, csk. pozi..., rail to door rear			A100W5196F	2
19a	Screw, M5 x 12, csk. cap hd., rail to door front	Black dacromet finish		A117W7207F	2
20	Screw, No,8 x 0.75", flg. pozi, hd., block fixing			A075W5074Z	16
21	Adjuster Block, guide rail LH thread			A116U0020F	4
22	Adjuster Block, guide rail RH thread			A116U0021F	4
23	Stud, rail adjusting			A116U0022F	4
24	'O' Ring			A116U0023F	8
25	Guide Rail, door glass, rear, LH		C116U0005F R/B	D116U0005F	1
25a	Guide Rail, door glass, rear, RH		C116U0004F R/B	D116U0004F	1
26	Window Lift Mechanism, electric, LH		Optional	B117U0389F	1
26a	Window Lift Mechanism, electric, RH		Optional	B117U0390F	1
27	Studplate Adaptor, mechanism to glass		Optional	B117U0391H	2
28	Screw, M6 x 20, hex. hd., mechanism to door		Optional	A075W1030Z	6
29	Washer, flat, M6 x 15 x 1.5, mechanism to door		Optional	A075W4015Z	10
30	Nyloc Nut, M6, thin, motor to door		Optional	A907E6285F	4
31	Spacer, 4mm, lift channel to door		Optional	A117W4194F	6
32	Nyloc Nut, M6, thin, studplate to mechanism		Optional	A907E6285F	4
33	Washer, flat, M6 x 15 x 1.5, studplate to mechanism		Optional	A075W4015Z	2

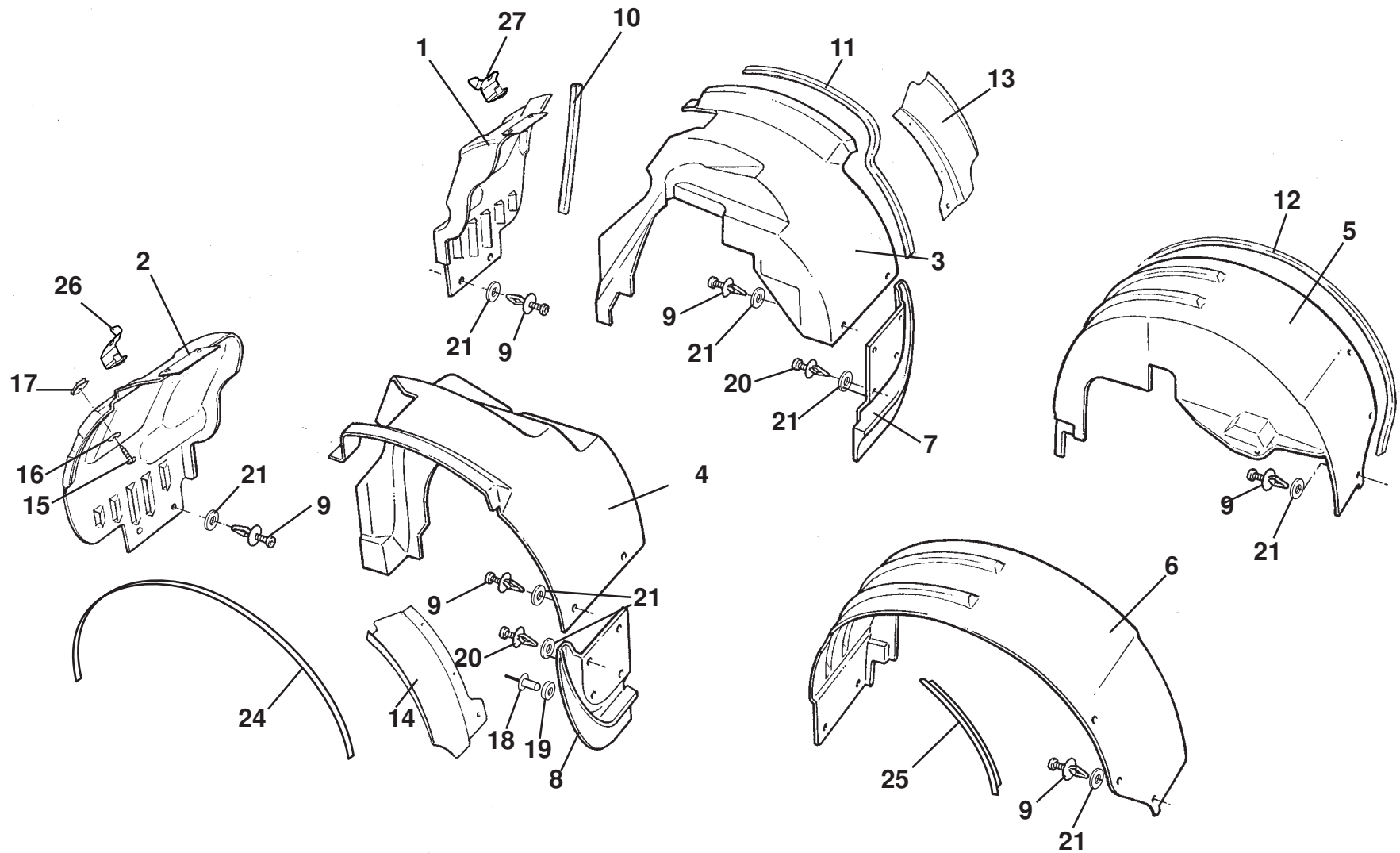
ELISE

Function Code: 11.02, Page: 2

Updated 1st December 2014

Function Code 11.02 Door Window Lift Mechanism

<u>Dep</u>	<u>Part Description</u>	<u>Remarks</u>	<u>Option</u>	<u>Part Number</u>	<u>Qty</u>
34	Plate, adjuster block to door rear			A116B0437F	2
35	Washer, flat,,M6 x 20 x 2.5			A075W4016Z	2
36	Tape, self adhesive, downstop to door	Not illustrated		A100B6142V	0.25M
37	Downstop, door glass	Not illustrated, bonded to door		A116B0314F	2



ELISE
12.01

Updated 4th July 2016

Service Parts List **ELISE**



Function Code 12.01 Wheelarch Liners

<u>Dep</u>	<u>Part Description</u>	<u>Remarks</u>	<u>Option</u>	<u>Part Number</u>	<u>Qty</u>
01	Panel, headlamp access, front wheelarch, RH		Elise	A120B0076F	1
01a	Panel, headlamp access, front wheelarch, RH		Exige, B122B0191F R/B	C122B0192F	1
02	Panel, headlamp access, front wheelarch, LH		Elise	A120B0075F	1
02a	Panel, headlamp access, front wheelarch, LH		Exige, B122B0191F R/B	C122B0191F	1
03	Wheelarch Liner, front, RH, LHD		Elise	C120B0112F	1
03a	Wheelarch Liner, front, RH, LHD		Exige	A122B0120F	1
03b	Wheelarch Liner, front, RH, RHD		Elise	B120B0004F	1
03c	Wheelarch Liner, front, RH, RHD		Exige	A122B0172F	1
04	Wheelarch Liner, front, LH, LHD		Elise	B120B0113F	1
04a	Wheelarch Liner, front, LH, LHD		Exige	A122B0121F	1
04b	Wheelarch Liner, front, LH, RHD		Elise	C120B0003F	1
04c	Wheelarch Liner, front, LH, RHD		Exige	A122B0171F	1
05	Wheelarch Liner, rear, RH		Elise	B120B0030F	1
05a	Wheelarch Liner, rear, RH		Exige	B122B0124F	1
06	Wheelarch Liner, rear, LH		Elise	B120B0031F	1
06a	Wheelarch Liner, rear, LH		Exige	B122B0125F	1
07	Mudflap, front, RH		Elise	D117B0172F	1
07a	Mudflap, front, RH		Exige	A122B0160F	1

ELISE

Function Code: 12.01, Page: 1

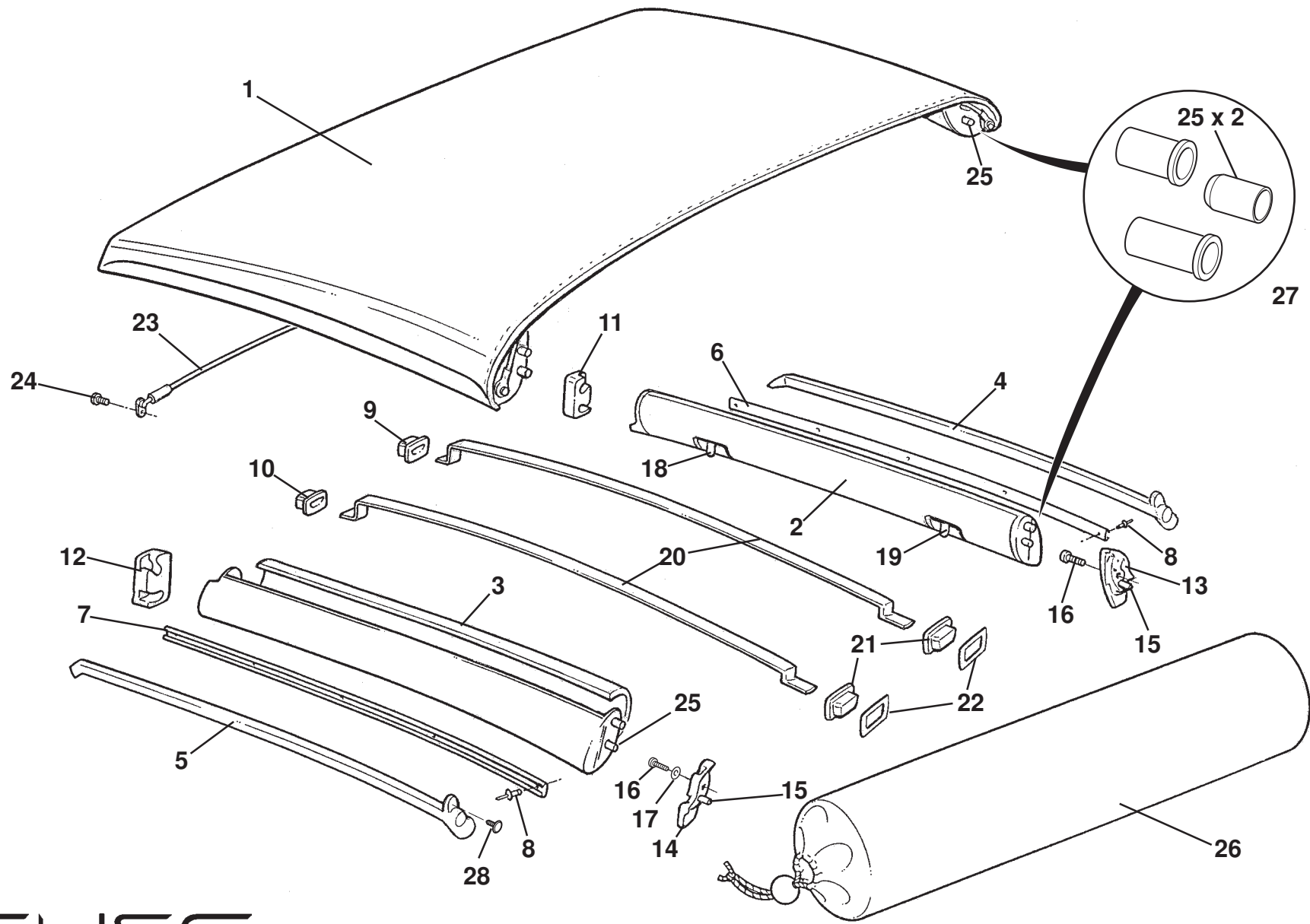
Updated 3rd January 2017

Function Code 12.01 Wheelarch Liners

<u>Dep</u>	<u>Part Description</u>	<u>Remarks</u>	<u>Option</u>	<u>Part Number</u>	<u>Qty</u>
08	Mudflap, front, LH		Elise	D117B0171F	1
08a	Mudflap, front, LH		Exige	A122B0161F	1
09	Plastic Fastener, liners retention			A120W6848F	18
09a	Knurled Knob M5, liners retention	Not illustrated	Canada	A125W5297F	8
09b	Scrivet	Not illustrated	Canada	A100W6391F	8
10	Weatherseal, front access panel	Cut to fit, also Exige lower rear liner	Exige	A122V0036V	As req.
10a	Weatherseal, front access panel		Elise 2011 MY, A117U0262K R/B	A089U6055F	895mm
11	Weatherseal, front liner	Cut to fit		A089U6055F	As req.
12	Weatherseal, rear liner	Cut to fit		A089U6055F	As req.
13	Infill Panel, wheelarch liner, front, RH		Exige	A122B0168K	1
14	Infill Panel, wheelarch liner, front, LH		Exige	A122B0167K	1
15	Screw, No. 8 x 3/4", pan pozi., black, panel fixing			A075W5074Z	2
15a	Knurled Knob M6, liners retention	Not illustrated	Canada	A120W5296F	2
15b	Scrivet	Not illustrated	Canada	A125W6807F	2
15c	Screw M6 x 16. hex flg hd		Elise 2011 MY	A918W5208F	4
16	Washer, flat, M5 x 25 x 1.4, black, panel fixing			A082W4098F	2
16a	Washer, flat, M6 x 25 x 1.4 s/s blk		Elise 2011 MY	A082W4131F	4
17	Spirenut, No.8, panel fixing	On clamshell bracket		A075W6172F	2
18	Pop Rivet, mudflap to body			A075W6092Z	4

Function Code 12.01 Wheelarch Liners

<u>Dep</u>	<u>Part Description</u>	<u>Remarks</u>	<u>Option</u>	<u>Part Number</u>	<u>Qty</u>
19	Cup Washer, black nylon, mudflap to body			A082W6482F	4
20	Plastic Fastener, mudflap retention			A100W6481F	8
21	Washer, flat, M8 x 21 x 1.6, S/S black			A111W4159F	26
22	Screw, M6 x 12, pan hd., pozi., black, rear liner fix.	Not illustrated	Exige	A111W5214F	4
23	Washer, flat, M6 x 25, black, rear liner fix.	Not illustrated	Exige	A082W4131F	4
24	Wheelarch Extension Lip, front	6.0, 6.5 front wheels	Elise option, Elise SC Euro	A117B0559F	2
25	Wheelarch Extension Lip, rear, LH	8.0 rear wheels	Elise SC Euro, Elise 2011 MY	A128B4011F	1
25a	Wheelarch Extension Lip, rear, RH	8.0 rear wheels	Elise SC Euro, Elise 2011 MY	A128B4012F	1
26	Bracket Assembly, headlamp access cover, LH		Elise 2011 MY	A120B4107F	1
27	Bracket Assembly, headlamp access cover, RH		Elise 2011 MY	A120B4108F	1



ELISE
12.02

Updated 5th September 2016

Service Parts List **ELISE**



Function Code 12.02 Soft Top Roof, Cant Rails, Roof Bows

<u>Dep</u>	<u>Part Description</u>	<u>Remarks</u>	<u>Option</u>	<u>Part Number</u>	<u>Qty</u>
01	Soft Top Roof Assembly, short		Black	B117B0473F	1
01a	Soft Top Roof Assembly, short		Blue	B117B0474F	1
01b	Soft Top Roof Assembly, short		Red	B117B0475F	1
01c	Soft Top Roof Assembly, short		Green	B117B0476F	1
01d	Soft Top Roof Assembly, NVH, short		Black A117B0532F R/B	A120B0199F	1
01e	Soft Top Roof Assembly, NVH, short		Blue	A120B0131F	1
01f	Soft Top Roof Assembly, NVH, short		Red	A120B0129F	1
01g	Soft Top Roof Assembly, NVH, short		Green	A120B0130F	1
01h	Soft Top Roof Assembly, insulated, short	High temperature	Gulf States	A120V0350F	1
02	Trim Panel, cant rail, RH	3 in-line 'fir tree' fixings on panel,	Prior to June 2008 (approx.)	C116V0004H	1
02a	Trim Panel, cant rail, RH	5 off-set 'fir tree' fixings on panel, Not Available	From June 2008 (approx.)	A120V0302H	1
03	Trim Panel, cant rail, LH	3 in-line 'fir tree' fixings on panel,	Prior to June 2008 (approx.)	C116V0003H	1
03a	Trim Panel, cant rail, LH	5 off-set 'fir tree' fixings on panel, Not Available	From June 2008 (approx.)	A120V0301H	1
04	Weatherseal, RH			A116V0092H	1
05	Weatherseal, LH			A116V0091H	1
06	Seal Carrier, RH			B116V0088F	1
07	Seal Carrier, LH			B116V0089F	1

ELISE

Function Code: 12.02, Page: 1

Updated 5th September 2016

Function Code 12.02 Soft Top Roof, Cant Rails, Roof Bows

<u>Dep</u>	<u>Part Description</u>	<u>Remarks</u>	<u>Option</u>	<u>Part Number</u>	<u>Qty</u>
08	Pop Rivet, seal carrier to cant rail			A116V0090H	12
09	Pocket, stay to header rail, RH	Bonded to windscreen frame		A116B0184F	1
10	Pocket, stay to header rail, LH	Bonded to windscreen frame		A116B0183F	1
11	Latch Plate, front, RH	Bonded to windscreen frame		A116B0002F	1
12	Latch Plate, front, LH	Bonded to windscreen frame		A116B0001F	1
13	Latch Plate, with tongue, rear, RH	Also fixing for hard top		C116B0466F	1
14	Latch Plate, with tongue, rear, LH	Also fixing for hard top		C116B0467F	1
15	Dowel Pin, plate to roll-over bar			A116W6659F	2
16	Screw, M6 x 20, cap hd., black, latch plate to roll-over bar			A082W7041F	2
17	Washer, wavy, 1/4", latch plate to roll-over bar			A075W4087F	2
18	Latch Assembly, front, RH			B117B0154H	1
18a	Latch Assembly, front, LH			B117B0155H	1
19	Latch Assembly, rear, RH			B117B0156H	1
19a	Latch Assembly, rear, LH			B117B0157H	1
20	Stay, soft top supporting			B116V0095H	2
21	Pocket, stay to rear window shroud			A116B0182F	2
22	Spacer, pocket to shroud		If fitted	B117B0480K	2
23	Cable, soft top tensioning		End adjusting	B116V0064H	2
23a	Cable, soft top tensioning, rear	Soft tops with centre access flap	Centre adjusting	C116V0064H	1
24	Screw, cables to soft to assy.			A111W7150F	4
25	End Cap, latching pin			A116V0150H	4

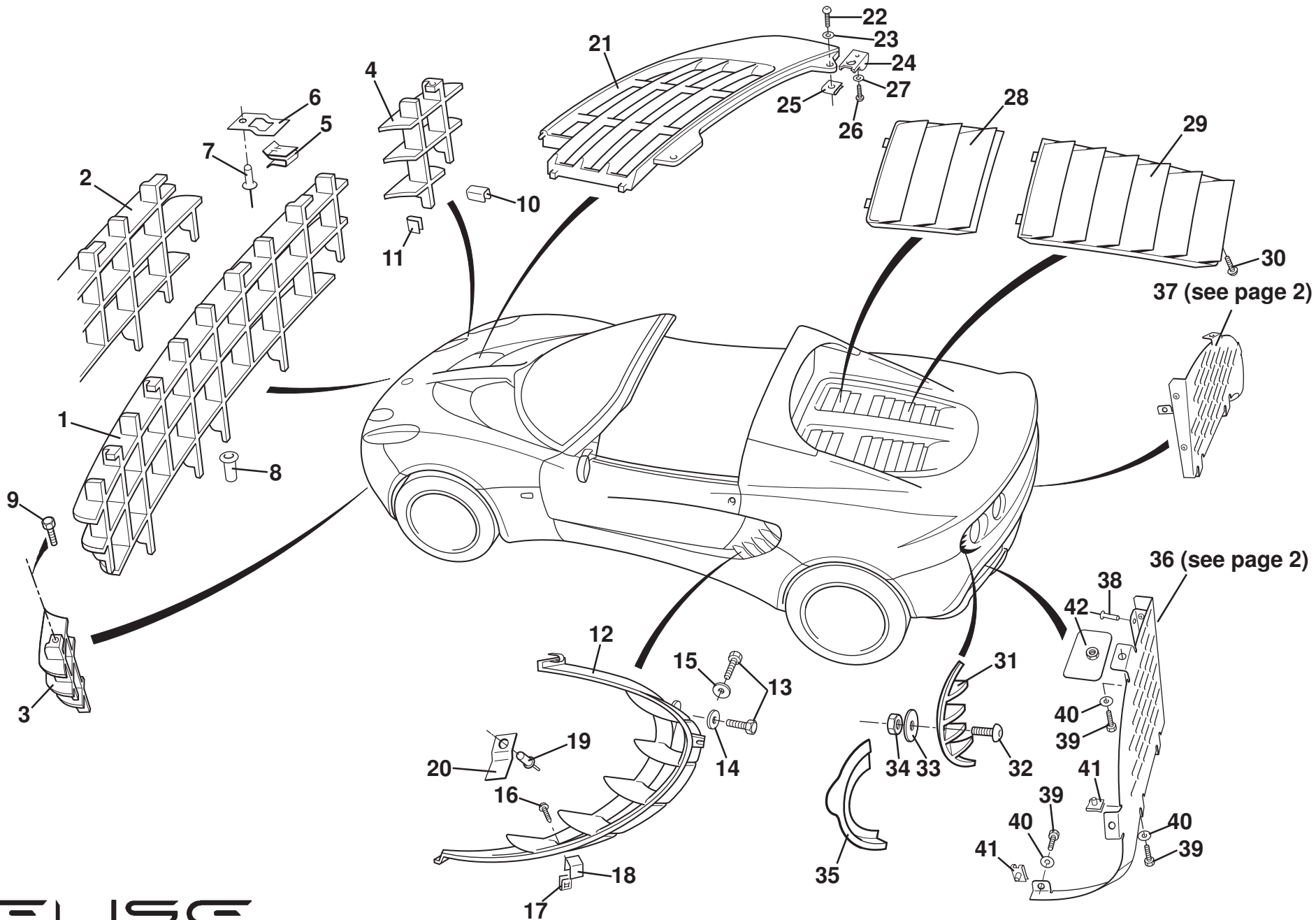
ELISE

Function Code: 12.02, Page: 2

Updated 5th September 2016

Function Code 12.02 Soft Top Roof, Cant Rails, Roof Bows

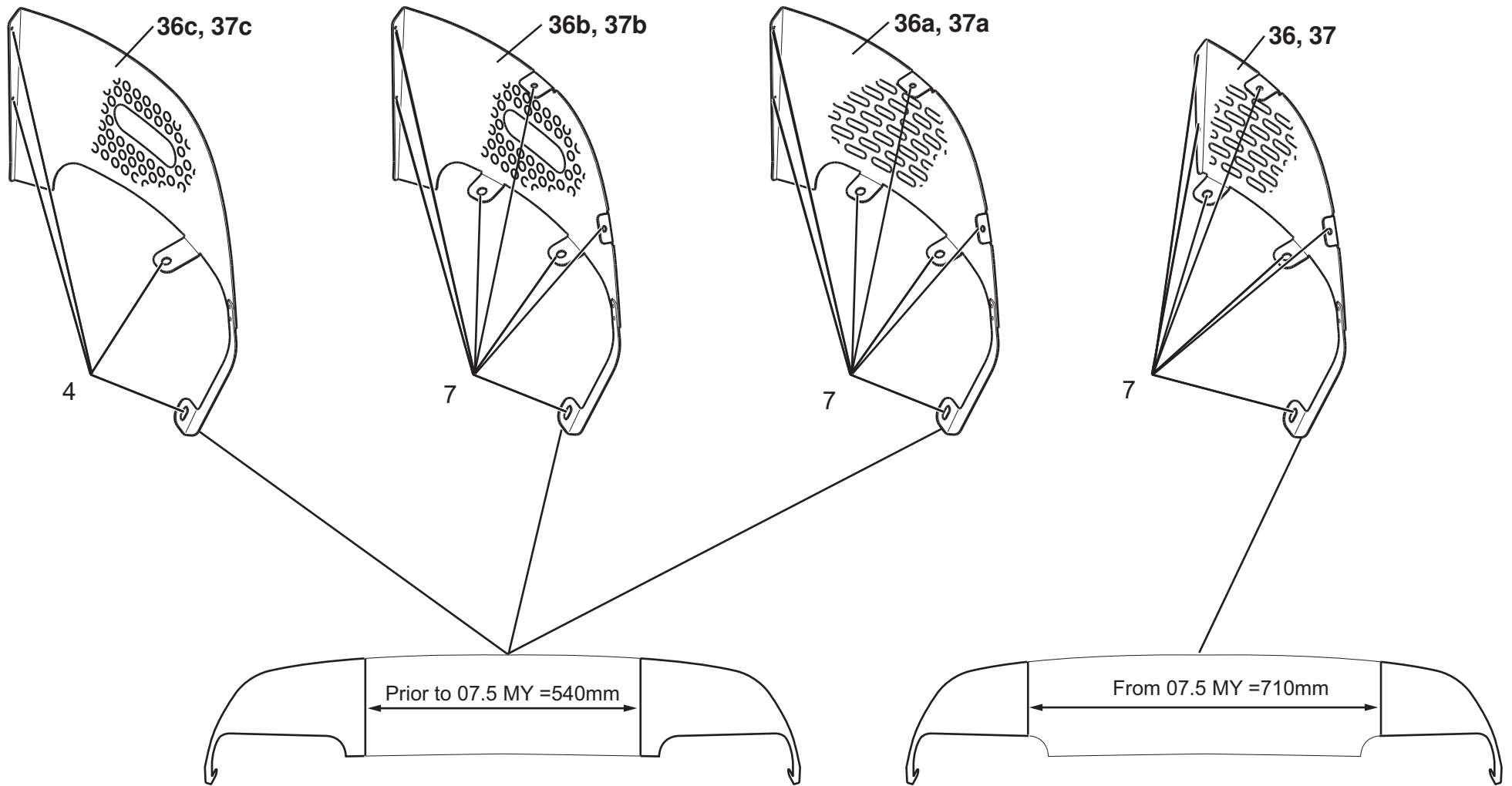
<u>Dep</u>	<u>Part Description</u>	<u>Remarks</u>	<u>Option</u>	<u>Part Number</u>	<u>Qty</u>
26	Soft Top Stowage Bag		A117B0086F R/B	A120V0314H	1
27	Soft Top Cap Set, cant rail	Includes item 25, set supplied per side		A120B0470S	2
28	Firtree, weatherseal			A116W6722F	2
29	Soft Top Care Kit, hood cleaner & hood protector	Not illustrated		A117U6021S	2 x 500ml



ELISE
12.03 page1

Updated 1st April 2014

Rear grille LH illustrated



Service Parts List **ELISE**



Function Code 12.03 Grilles and Louvres

<u>Dep</u>	<u>Part Description</u>	<u>Remarks</u>	<u>Option</u>	<u>Part Number</u>	<u>Qty</u>
01	Grille, front intake, central, without driving lamps			G117B0114F	1
02	Grille, front intake, central, with driving lamps			B117B0317F	1
03	Grille, front intake, LH			G117B0117F	1
04	Grille, front intake, RH			G117B0118F	1
05	Clip, central grille retention		-	A117B6003F	4
06	Bracket, clip to clamshell			A117B0328F	4
07	Pop Rivet, 3.2mm x 11mm, black, bracket to clamshell			A082W6512F	4
08	Receptacle, grille spigots to clamshell			A117B6004F	4
09	Screw, ejot, M5 x 8, torx hd., outer grilles to clamshell			A117W5268F	2
10	Clip, outer grilles retention			C117B0235F	2
11	Seal, neoprene, grille to clamshell	On front of spigots		B075U6054V	20mm
12	Grille, side intake, LH			E117B0125F	1
12a	Grille, side intake, RH			E117B0126F	1
13	Screw, M6 x 16, hex. hd., side grille to clamshell			A075W1028Z	3
14	Washer, flat, M6 x 25, side grille to clamshell			B075W4017Z	2
15	Washer, flat, M6 x 18, side grille to clamshell			B082W4018F	2
16	Screw, No.8 x 0.7, self tap., flg. hd., pozi., grille fix.			A075W5074Z	6
17	Spire Nut, No.8			A075W6016Z	6

ELISE

Function Code: 12.03, Page: 1

Updated 1st April 2014

Function Code 12.03 Grilles and Louvres

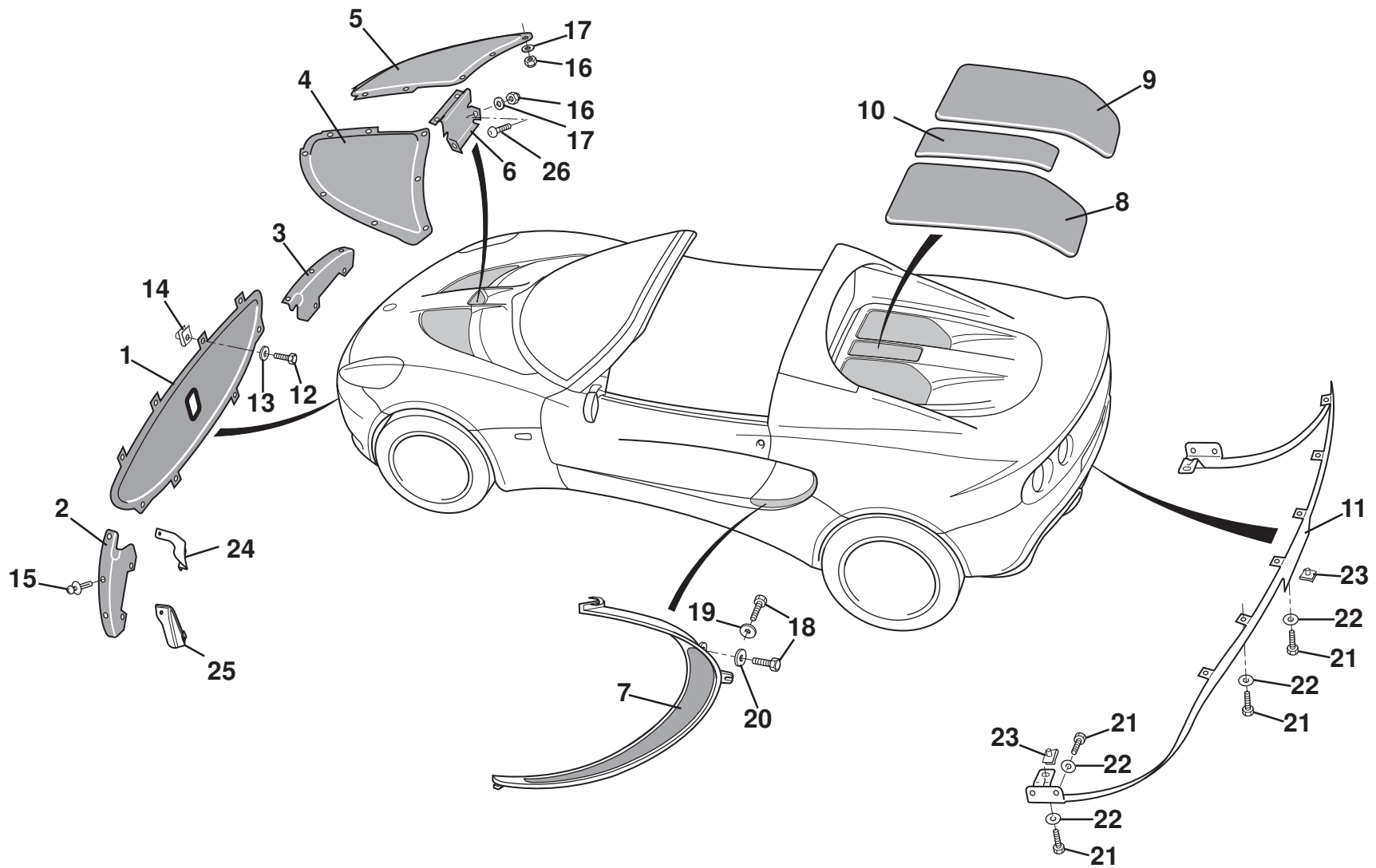
Dep	Part Description	Remarks	Option	Part Number	Qty
18	Bracket, side grille mounting,	Bonded to sill panel		A117B0329F	2
19	Pop Rivet, clip to body side			A111W6613F	2
20	Clip, grille to body side			A116U0262K	2
21	Grille, front access panel, LH			A120B0037F	1
21a	Grille, front access panel, RH			A120B0036F	1
22	Screw, M5 x 16, button hd., S/S, grille to shroud/support			A116W5281F	4
23	Washer, flat, M5 x 19 x 1.4 S/S, grille to shroud/support			B075W4009Z	4
24	Support, grille outer, RH			A120B0106F	1
24a	Support, grille outer, LH			A120B0107F	1
25	Spirenut, M5, S/S, grille to rad. shroud/support			B100W6372F	4
26	Screw, ejot, support to clamshell			A117F6001F	2
27	Washer, flat, M5 x 19 x 1.4, support to clamshell			B075W4009Z	2
28	Grille, engine cover outlet, RH front	Use screw 30 and item 43 for F level grille	D117B0130F R/B	F117B0130F	1
28a	Grille, engine cover outlet, LH front	Use screw 30 and item 43 for F level grille	E117B0129F R/B	F117B0129F	1
29	Grille, engine cover outlet, RH rear	Use screw 30 and item 43 for E level grille*	C117B0218F R/B	E117B0218F	1
29a	Grille, engine cover outlet, LH rear	Use screw 30 and item 43 for E level grille*	C117B0217F R/B	E117B0217F	1
30	Screw, KL x 12, button, flg. torx hd., grilles to lid			A117W5290F	8
30a	Pop Rivet, plastic, rear grilles to lid	Not illustrated	Prior to screw fixings	A082W6528F	6

Function Code 12.03 Grilles and Louvres

<u>Dep</u>	<u>Part Description</u>	<u>Remarks</u>	<u>Option</u>	<u>Part Number</u>	<u>Qty</u>
30b	Double Sided Tape, 5mm	Not illustrated	Prior to screw fixings	A117B0362V	As req.
30c	Double Sided Tape, 19mm	Not illustrated	Prior to screw fixings	A117B0361V	As req.
31	Grille, rear transom, LH			D117B0133F	1
31a	Grille, rear transom, RH			D117B0134F	1
32	Screw, M6 x 16, button hd. S/S black, grille fixing			A082W7105F	2
33	Washer, flat, M6 x 15 x 1.5, S/S black, grille fixing			A082W4133F	2
34	Nut, M6, grille fixing			A075W3020Z	2
35	Infill Pocket, LH, rear transom grille		USA, '07.5 MY	A121B0123K	1
35a	Infill Pocket, RH, rear transom grille		USA, '07.5 MY	A121B0124K	1
36	Grille, perforated, oval holes, rear body to diffuser, LH*	Anodised black, no reflector, short	7 fixings, 07.5 MY	A120A0141F	1
36a	Grille, perforated, oval holes, rear body to diffuser, LH	Anodised black, no reflector, long	7 fixings, 06 MY	A120B0149F	1
36b	Grille, perforated, round holes, rear body to diffuser, LH	Black, long, for 'C' level diffuser, see 10.25	7 fixings	C120B0057F	1
36c	Grille, perforated, round holes, rear body to diffuser, LH	Black, long, for 'B' level diffuser, see 10.25	4 fixings	B120B0057F	1
37	Grille, perforated, oval holes, rear body to diffuser, RH*	Anodised black, no reflector, short	7 fixings, 07.5 MY	A120A0142F	1
37a	Grille, perforated, oval holes, rear body to diffuser, RH	Anodised black, no reflector, long	7 fixings, 06 MY	A120B0148F	1
37b	Grille, perforated, round holes, rear body to diffuser, RH	Black, long, for 'C' level diffuser, see 10.25	7 fixings	C120B0058F	1
37c	Grille, perforated, round holes, rear body to diffuser, RH	Black, long, for 'B' level diffuser, see 10.25	4 fixings	B120B0058F	1
38	Pop Rivet, grille to support plate			A117W6725F	4

Function Code 12.03 Grilles and Louvres

<u>Dep</u>	<u>Part Description</u>	<u>Remarks</u>	<u>Option</u>	<u>Part Number</u>	<u>Qty</u>
39	Screw, M5 x 16, hex. hd., S/S, grilles to clam./diffuser			A111W1163F	10
40	Washer, flat, 3/16" x 0.75", grilles to clam./diffuser			B075W4009Z	10
41	Spirenut, M5, grille to diffuser			A117W6715F	6
42	Nutplate, M5, grilles to clamshell			A120B0137F	4
43	Film Blackout	*Rear grilles slightly shorter than previous type, disguise gap with blackout film		A082B5066V	1



ELISE
12.03a

Updated 16th January 2013

Service Parts List **ELISE**



Function Code 12.03a Grilles and Louvres, Elise 2011 MY

<u>Dep</u>	<u>Part Description</u>	<u>Remarks</u>	<u>Option</u>	<u>Part Number</u>	<u>Qty</u>
01	Grille, front intake, centre, without driving lamps			A120B0274F	1
01a	Grille, front intake, centre, with driving lamps			A120B0276F	1
02	Grille, front intake, LH			A120B4015F	1
03	Grille, front intake, RH			A120B4016F	1
04	Grille, front exit, LH			A120B4039F	1
05	Grille, front exit, RH			A120B4040F	1
06	Grille, front exit, centre			A120B0268F	1
07	Grille Assembly, side intake, LH			C120B4041J	1
07a	Grille Assembly, side intake, RH			C120B4042J	1
08	Grille, engine cover, LH			A120B4047F	1
09	Grille, engine cover, RH			A120B4048F	1
10	Grille, engine cover, centre			A120B0255F	1
11	Grille, diffuser to body			A120B0292F	1
12	Screw, no. 8, self tapping, flg. pozi., grille to clam.			A117W5250F	8
13	Washer, flat, 3/16 x 3/4", S/S, grille to clam.			B075W4009Z	8
14	Spirenut, no. 8, grille to clam.			A075W6016Z	8
15	Plastic Fastener, side intake grilles to clam.			A100W6391F	10
16	Nyloc Nut, M6, thin, grilles to clam.			A907E6285F	20

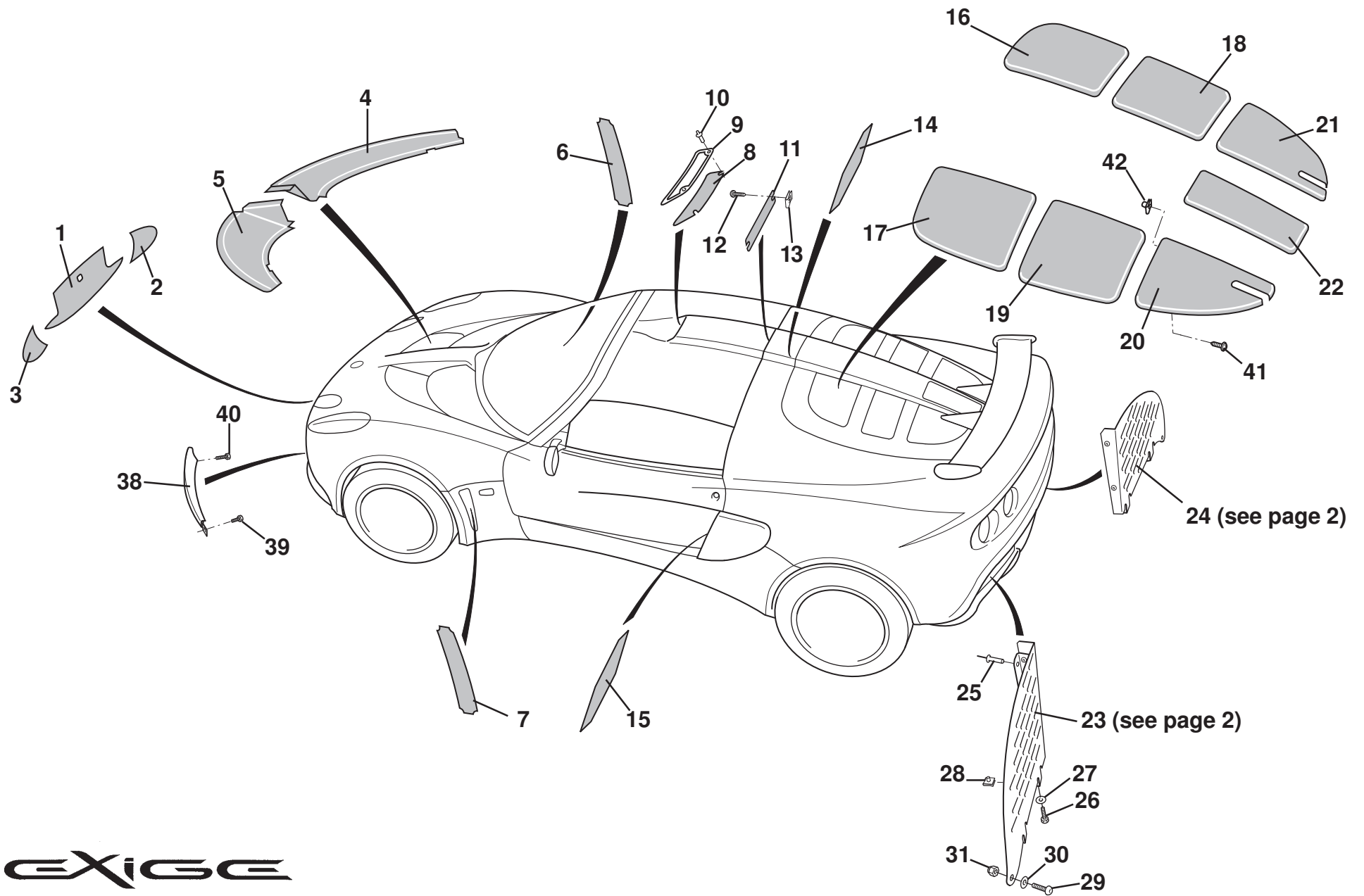
ELISE

Function Code: 12.03a, Page: 1

Updated 2nd February 2015

Function Code 12.03a Grilles and Louvres, Elise 2011 MY

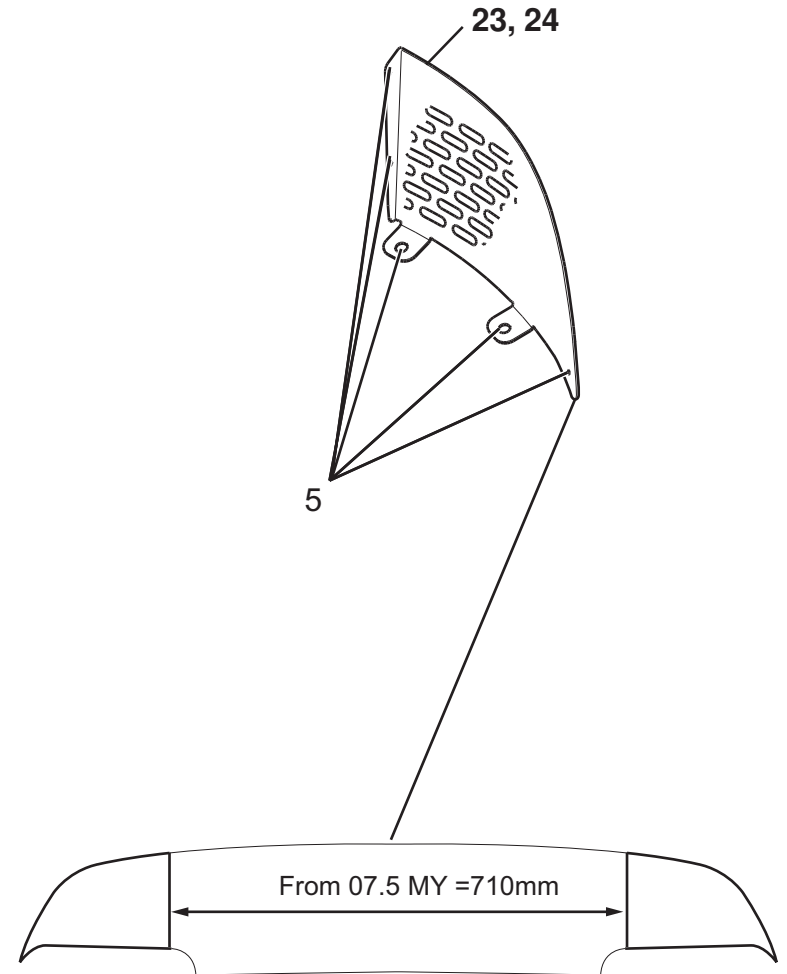
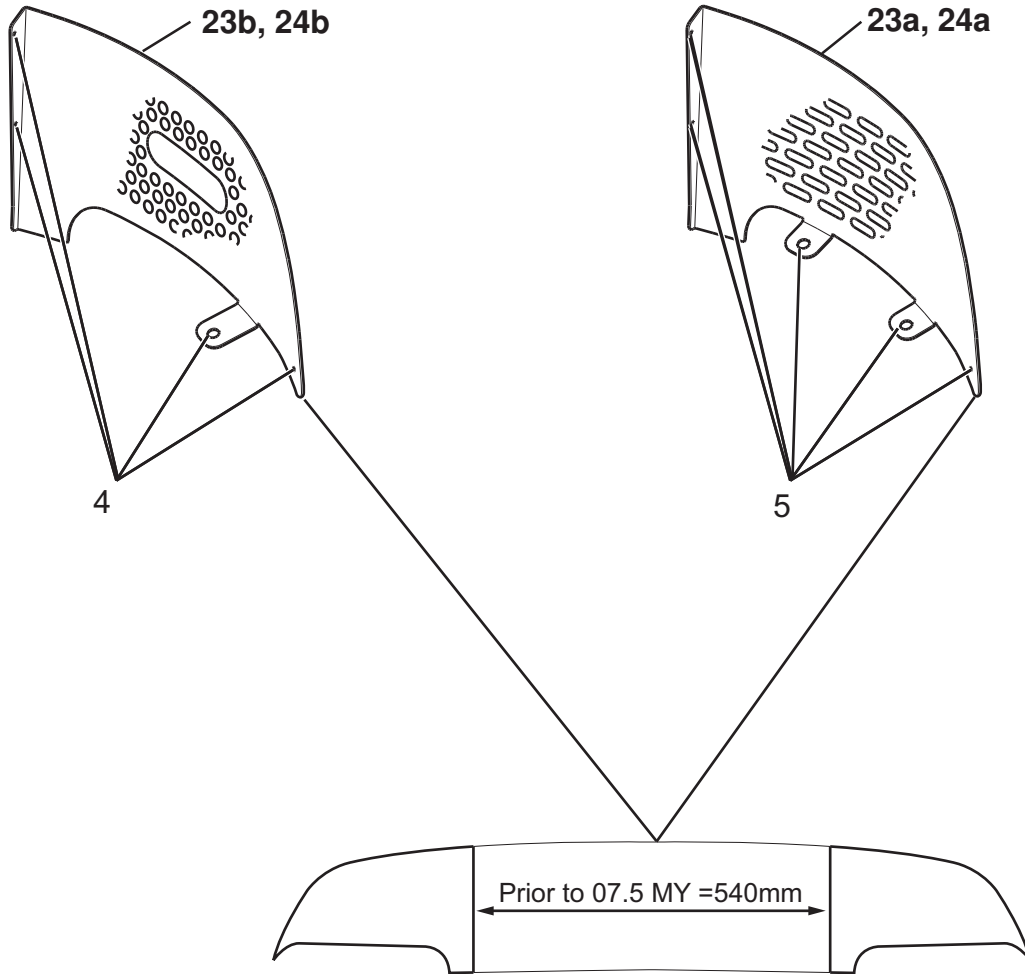
<u>Dep</u>	<u>Part Description</u>	<u>Remarks</u>	<u>Option</u>	<u>Part Number</u>	<u>Qty</u>
17	Washer, flat, M6 x 18, grilles to clam.			B082W4018F	20
18	Screw, M6 x 16, hex. hd., side grille to clamshell			A075W1028Z	3
19	Washer, flat, M6 x 25, side grille to clamshell			B075W4017Z	2
20	Washer, flat, M6 x 18, side grille to clamshell			B082W4018F	2
21	Screw, M5 x 16, hex. hd., S/S, grilles to clam./diffuser			A111W1163F	18
22	Washer, flat, 3/16" x 0.75", grilles to clam./diffuser			B075W4009Z	18
23	Spirenut, M5, grille to diffuser			A117W6715F	8
24	Deflector Oil Cooler Duct, LH			A120B4017F	1
24a	Deflector Oil Cooler Duct, RH			A120B4018F	1
25	Screen Oil Cooler Duct, LH			A120B4071F	1
25a	Screen Oil Cooler Duct, RH			A120B4072F	1
26	Screw M6 x 16 btn cap s/s blk, front exit grille centre			A082W7105F	2



EXIGE
12.03x page1

Updated 1st April 2014

Rear grille LH illustrated



Service Parts List

EXIGE



Function Code 12.03x Grilles and Louvres, Exige

<u>Dep</u>	<u>Part Description</u>	<u>Remarks</u>	<u>Option</u>	<u>Part Number</u>	<u>Qty</u>
01	Grille, front intake, centre, driving lamps	Bonded inside clamshell		D122B0003F	1
01a	Grille, front intake, centre, without driving lamps	Bonded inside clamshell		A122B0258F	1
01b	Grille, front intake, centre, driving lamps, '10 MY	Bonded inside clamshell	Cup 260, 2010 MY	A128B0243F	1
01c	Grille, front intake, centre, without driving lamps, '10 MY	Bonded inside clamshell	Cup 260, 2010 MY	A128U0029F	1
02	Grille, front intake, RH	Bonded inside clamshell		A122B0004F	1
02a	Grille, front intake, RH, '10 MY	Bonded inside clamshell	Cup 260, 2010 MY	A128U4018F	1
03	Grille, front intake, LH	Bonded inside clamshell		A122B0005F	1
03a	Grille, front intake, LH, '10 MY	Bonded inside clamshell	Cup 260, 2010 MY	A128U4017F	1
04	Grille, front exit, RH	Bonded inside clamshell		A122B0002F	1
05	Grille, front exit, LH	Bonded inside clamshell		A122B0129F	1
06	Grille, exit, hinge cover panel, RH	Bonded inside panel		A122B0134F	1
07	Grille, exit, hinge cover panel, LH	Bonded inside panel		A122B0135F	1
08	Grille, roof intake	Top corner fixings, illustrated	Use 'B' level finisher	B122B0141F	1
08a	Grille, roof intake	Centre side fixings, not illustrated	Use 'C' level finisher	C122B0141F	1
08b	Grille and finisher, roof intake, large	Large scoop roof	Exige S 240, Cup 255/260	A122U0090F	1
09	Finisher, roof intake	Top corner fixings, illustrated	Use 'B' level grille	B122U0014F	1
09a	Finisher, roof intake	Centre side fixings, not illustrated	Use 'C' level grille	C122U0014F	1
10	Plastic Rivet, grille + finisher to roof			A079W6195F	2

EXIGE

Function Code: 12.03x, Page: 1

Updated 1st April 2016

Function Code 12.03x Grilles and Louvres, Exige

<u>Dep</u>	<u>Part Description</u>	<u>Remarks</u>	<u>Option</u>	<u>Part Number</u>	<u>Qty</u>
10a	Plastic Fastener, grille to roof	Large scoop roof	Exige S 240, Cup 255/260	A124W6893F	2
11	Grille, clamshell roof intake, federal		Exige USA/Canada	A123B0024F	1
12	Screw, No. 6 x 0.75", grille to clamshell		Exige USA/Canada	A075W5028Z	2
13	Spirenut No. 6, grille to clamshell		Exige USA/Canada	A111W6588F	2
14	Grille, side intake, RH	Bonded to duct panel		A122B0058F	1
15	Grille, side intake, LH	Bonded to duct panel		A122B0057F	1
16	Grille, tailgate front, RH	Bonded to tailgate		A122B0080F	1
16a	Grille, tailgate front, RH, RTM tailgate		RTM tailgate	A122B4004F	1
17	Grille, tailgate front, LH	Bonded to tailgate		A122B0079F	1
17a	Grille, tailgate front, LH, RTM tailgate		RTM tailgate	A122B4003F	1
18	Grille, tailgate centre, RH	Bonded to tailgate		A122B0142F	1
18a	Grille, tailgate centre, RH, RTM tailgate		RTM tailgate	A122B4008F	1
19	Grille, tailgate centre, LH	Bonded to tailgate		A122B0143F	1
19a	Grille, tailgate centre, LH, RTM tailgate		RTM tailgate	A122B4007F	1
20	Grille, tailgate rear, LH	Bonded to tailgate		A122B0113F	1
20a	Grille, tailgate rear, LH, RTM tailgate		RTM tailgate	A122B4005F	1
20b	Grille, tailgate rear, LH, '10 MY	Without slot for aerofoil strut	Cup 260, 2010 MY	A128B4087F	1
21	Grille, tailgate rear, RH	Bonded to tailgate		A122B0114F	1
21a	Grille, tailgate rear, RH, RTM tailgate		RTM tailgate	A122B4006F	1
21b	Grille, tailgate rear, RH, '10 MY	Without slot for aerofoil strut	Cup 260, 2010 MY	A128B4088F	1
22	Grille, tailgate spine centre rear	Bonded to tailgate		A122B0115F	1



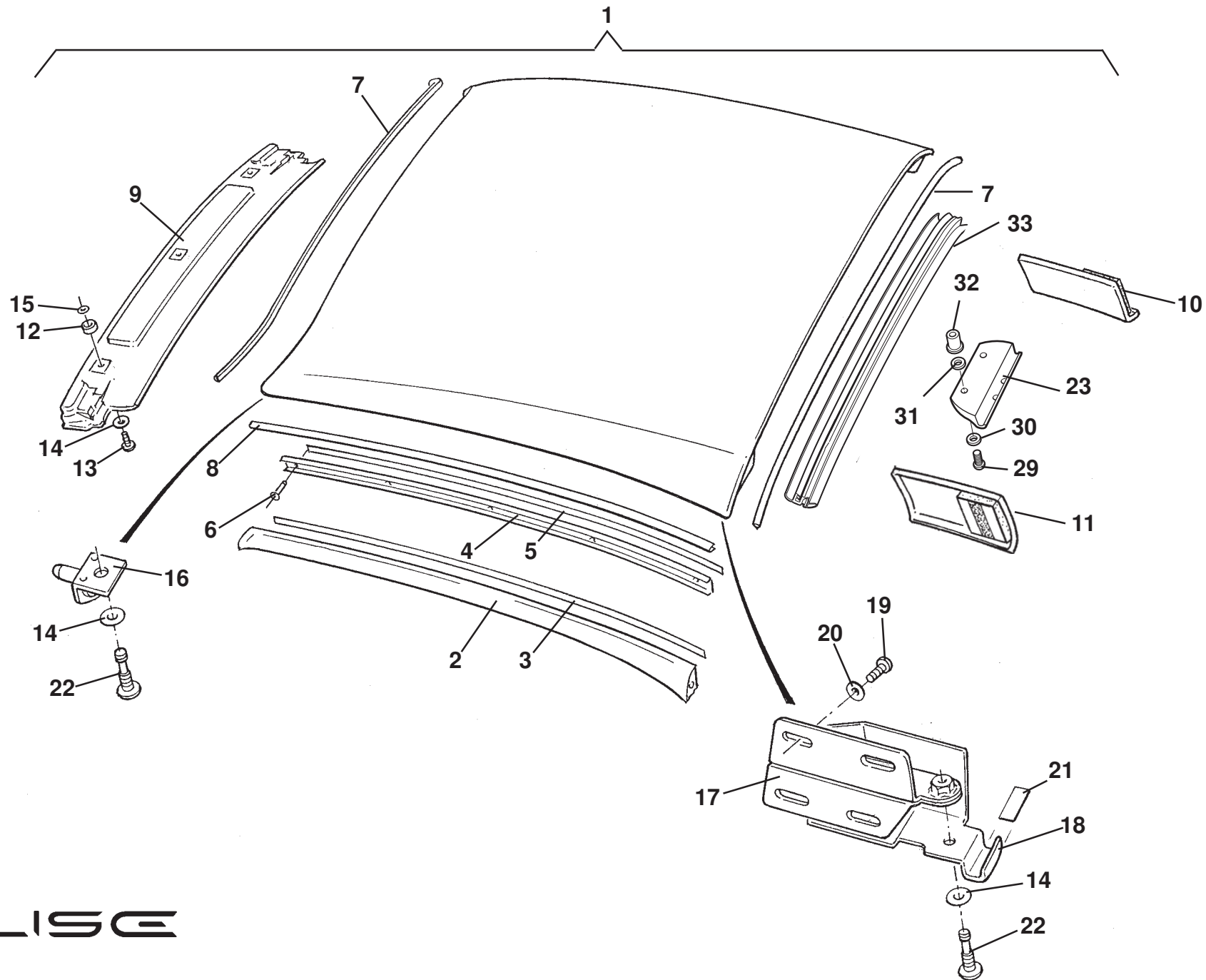
Function Code 12.03x Grilles and Louvres, Exige

<u>Dep</u>	<u>Part Description</u>	<u>Remarks</u>	<u>Option</u>	<u>Part Number</u>	<u>Qty</u>
22a	Grille, tailgate spine centre, RTM tailgate		RTM tailgate	B122B0331F	1
23	Grille, perforated, oval holes, rear body to diffuser, LH	Anodised black, no reflector, short	5 Fixings,'07.5 MY	A122A0075F	1
23a	Grille, perforated, oval holes, rear body to diffuser, LH	Anodised black, no reflector, long	5 Fixings,'06 MY	B122A0059F	1
23b	Grille, perforated, round holes, rear body to diffuser, LH	Anodised black, long	4 Fixings,Prior to '06 MY	A122A0011F	1
24	Grille, perforated, oval holes, rear body to diffuser, RH	Anodised black, no reflector, short	5 Fixings, '07.5 MY	A122A0076F	1
24a	Grille, perforated, oval holes, rear body to diffuser, RH	Anodised black, no reflector, long	5 Fixings'06 MY	B122A0060F	1
24b	Grille, perforated, round holes, rear body to diffuser, RH	Anodised black, long	4 Fixings, Prior to '06 MY	A122A0012F	1
25	Pop Rivet, grille to support plate			A117W6725F	4
26	Screw, M5 x 16, hex. hd. S/S, black, grille fixing			A082W1088F	4
27	Washer, flat, M5 x 19 x 1.4, black, grille fixing			B082W4107F	4
28	Spirenut, M5, grille fixing			A117W6715F	4
29	Screw, M6 x 16, button hd., black, grille to bracket			A082W7105F	2
30	Washer, flat, M6 x 14 x 1.6, black, grille to bracket			A082W4133F	2
31	Nyloc Nut, M6, grille to bracket			A907E6285F	2
35a	Trim Panel, tailgate shelf, RTM tailgate, RH		RTM tailgate	A122B4010K	1
36a	Trim Panel, tailgate shelf, RTM tailgate, LH		RTM tailgate	A122B4009K	1
37a	Trim Panel Assy., tailgate shelf, centre, RTM tailgate		RTM tailgate	A122B0335J	1
38	Vane Assembly. Primed, LH	For body colour finish	Cup 260, 2010 MY	A128B4143K	1
38a	Vane Assembly. Primed, RH	For body colour finish	Cup 260, 2010 MY	A128B4144K	1
38b	Vane Assembly. Carbon fibre, LH		Cup 260, 2010 MY	A128B4147J	1
38c	Vane Assembly. Carbon fibre, RH		Cup 260, 2010 MY	A128B4148J	1



Function Code 12.03x Grilles and Louvres, Exige

<u>Dep</u>	<u>Part Description</u>	<u>Remarks</u>	<u>Option</u>	<u>Part Number</u>	<u>Qty</u>
39	Screw, M6 x 10, hex. hd., vane to clamshell		Cup 260, 2010 MY	A075W1026Z	2
40	Screw, M6 x 16, hex. hd., vane to clamshell		Cup 260, 2010 MY	A075W1028Z	2
41	Screw No.6 x .75" flg pozi blk, RTM grilles			A075W5028F	22
42	Captive Nut, RTM grilles			A120W3186F	22



ELISE
12.04

Updated 2nd November 2015

Service Parts List **ELISE**



Function Code 12.04 Roof Panel, Seals & Fixings

<u>Dep</u>	<u>Part Description</u>	<u>Remarks</u>	<u>Option</u>	<u>Part Number</u>	<u>Qty</u>
01	Hard Top Roof Assembly Complete	Quote Lotus Paint Code with order*	Painted, trimmed	A121B0074J	1
01a	Headlining, black	Not illustrated, sold by the sq metre order 2 metres		A120V6024V	2m
01b	Headlining, limestone, California Ltd Edition	Not illustrated	California, USA only	A121V0014S	1
02	Seal, hard top to side glass, LH			A116V0249F	1
03	Double Sided Tape, 5mm, seal to carrier	Cut to fit		A117B0362V	As req.
04	Seal Carrier, LH			A116V0241F	1
04a	Seal Carrier, RH			A116V0240F	1
05	Double Sided Tape, 12mm, carrier to hard top	Cut to fit, 2 strips per side		C075U6071V	As req.
06	Pop Rivet, seal carrier to hard top			A116W6707F	12
07	Seal, 'D' section, self adhesive, hard top front & rear	5mm thick		A117U6007F	2
07a	Seal, 'D' section, self adhesive, hard top front & rear	8mm thick		B116U0211F	2
08	Edging Strip, hard top sides		A111U6034V R/B	A120U0097F	2
09	Trim/Clamp Panel, front, hard top to screen header		C116V0233F R/B	A116B1078J	1
10	Trim Panel, bracket rear RH covering			F116B0470J	1
11	Trim Panel, bracket rear LH covering			F116B0469J	1
12	Spacer, plastic, panel to header			B116V0221F	3
13	Screw, M8 x 20, button hd. torx, clamps & frontcover fixing Black finish			A116W5258F	5

ELISE

Function Code: 12.04, Page: 1

Updated 1st November 2016

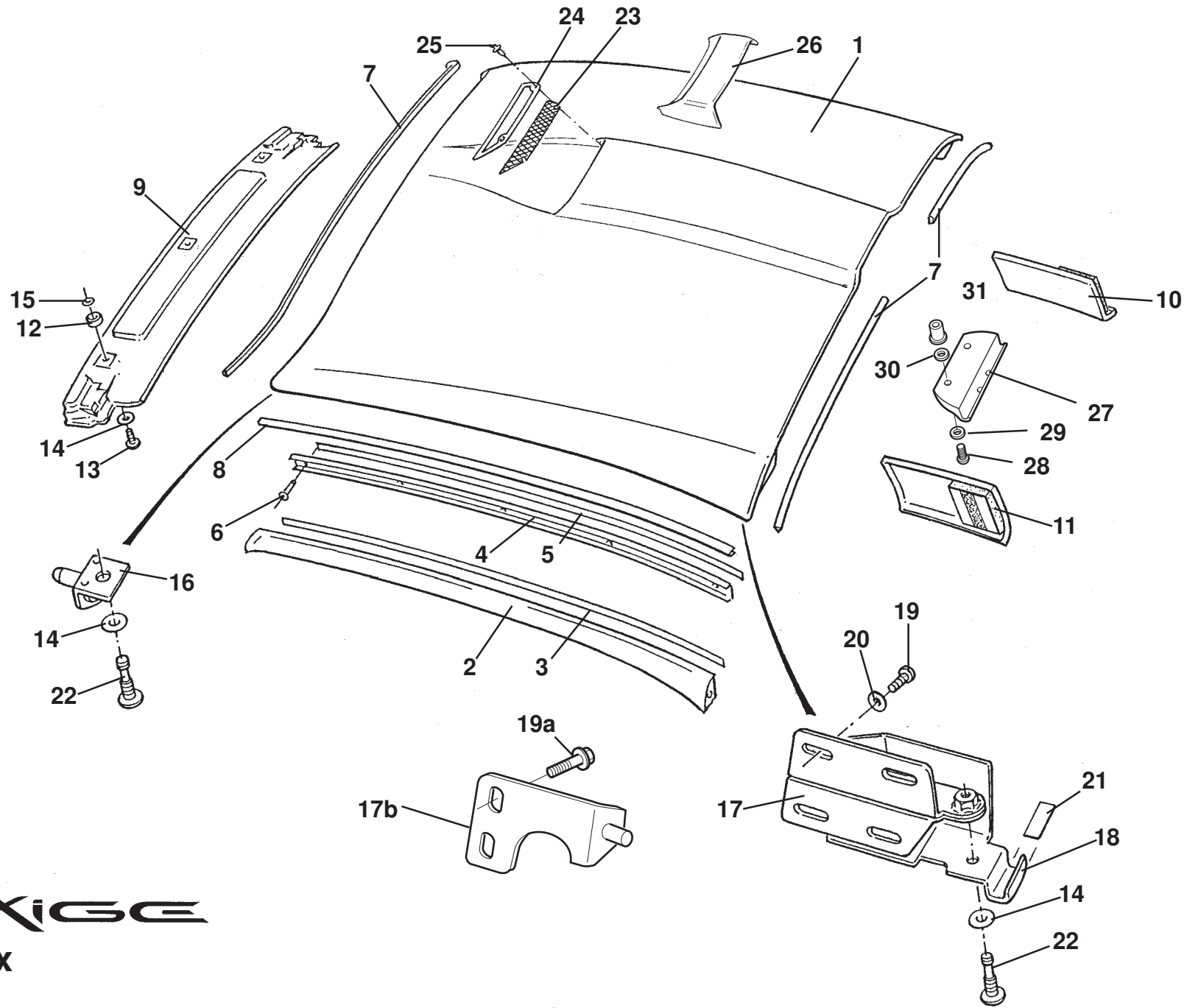
Function Code 12.04 Roof Panel, Seals & Fixings

<u>Dep</u>	<u>Part Description</u>	<u>Remarks</u>	<u>Option</u>	<u>Part Number</u>	<u>Qty</u>
14	Washer, flat, M8 x 21 x 1.6, clamps & front cover fixing	Black finish		A111W4159F	5
15	Retainer, nylon, screws to clamps & front cover			A116W4189F	5
16	Pin Clamp, hard top front			A116V0350F	2
16a	Sleeve, pin clamp to latch plate	See Service Bulletin 2005/07	Also Exige roof	A117U0507F	2
17	Bracket Assembly, clamp to hard top rear LH			B116V0177F	1
17a	Bracket Assembly, clamp to hard top rear RH			B116V0178F	1
18	Hook Clamp, hard top rear, LH		D116V0179J R/B	B116V0349J	1
18a	Hook Clamp, hard top rear, RH		D116V0180J R/B	B116V0348J	1
19	Screw, M6 x 16, pan hd. torx, rear brackets to hard top	Black finish		A116W5260F	8
20	Washer, flat, M6 x 12 x 1.5, rear brackets to hard top	Black finish		B100W4127F	8
21	Foam Tape, self adhesive, anti-rattle	Cut to fit		A036B6221V	0.12M
22	Clunk Bolt, M8 x 30, torx, hardtop fixing	Black finish		A116B1075F	4
22a	Clunk Bolt, M8 x 35, torx, hardtop fixing	Black finish		C121B0083F	4
23	Clamp, rear retention			A120V0296J	1
23a	Clamp Kit, rear retention	Includes fixings items 29-31		A120V0347S	1
24	Tool, torx screws fixing (M6 & M8)	Not illus.part of hard top kit		B116V6001F	1
25	Tool Bag, tool retaining	Not illustrated		B116V0028F	1
26	Hard Top Stowage Bag	Not illustrated		A116V0228F	1
27	Rubber Buffer, hard top to rear latch plates	Not illus., see Service Bulletin 2005/07	Also Exige roof	A117B0719F	2
28	Carbaflo XTR5 precision oiler	Not illustrated, squeak prevention	Also Exige roof	A117B6103S	1

Function Code 12.04 Roof Panel, Seals & Fixings

<u>Dep</u>	<u>Part Description</u>	<u>Remarks</u>	<u>Option</u>	<u>Part Number</u>	<u>Qty</u>
29	Screw M8 x 20, torx, centre clamp rr			A116W5258F	2
30	Washer M8 x 21x 1.6, s/s blk, centre clamp rr			A111W4159F	2
31	Captive Washer M8, centre clamp rr			A116W4189F	2
32	Insert M8			A117W6718F	2
33	Seal, hard top to rollhoop			A120B6084F	1

*Use Hardtop order form located
on the dealer portal



EXIGE
12.04x

Updated 16th July 2012

Service Parts List

EXIGE



Function Code 12.04x Roof Panel, Seals & Fixings, Exige

<u>Dep</u>	<u>Part Description</u>	<u>Remarks</u>	<u>Option</u>	<u>Part Number</u>	<u>Qty</u>
01	Roof Panel Assembly, painted	Supply Lotus Paint Code*	Standard cars	A122B0272J	1
01a	Roof Panel Assembly, painted	Supply Lotus Paint Code*	Exige S	A128B0020J	1
01b	Roof Panel Assembly, large scoop, painted	Supply Lotus Paint Code*	Exige S 240, Cup 255/260	A122B0343J	1
01c	Roof Panel Assembly, large scoop, carbon fibre	Supply Lotus Paint Code*	Cup 260	A128B0297S	1
01d	Headlining, black	Not illustrated, sold by the sq metre order 2 metres		A120V6024V	2m
02	Seal, roof to side glass, LH			A116V0249F	1
02a	Seal, roof to side glass, RH			A116V0248F	1
03	Double Sided Tape, 5mm, seal to carrier	Cut to fit		A117B0362V	As req.
04	Seal Carrier, LH			A116V0241F	1
04a	Seal Carrier, RH			A116V0240F	1
05	Double Sided Tape, 12mm, carrier to roof			C075U6071V	As req.
06	Pop Rivet, seal carrier to roof			A116W6707F	12
07	Seal, 'D' section, self adhesive, roof front rear	Rear, cut to fit		A117U6007F	2
08	Edging Strip, roof sides		A111U6034V R/B	A120U0097F	2
09	Trim/Clamp Panel, roof to screen header	Trimmed		A116B1078J	1
10	Trim Panel, bracket rear RH covering			F116B0470J	1
11	Trim Panel, bracket rear LH covering			F116B0469J	1
12	Spacer, plastic, panel to header			B116V0221F	3

EXIGE

Function Code: 12.04x, Page: 1

Updated 1st November 2016

Function Code 12.04x Roof Panel, Seals & Fixings, Exige

<u>Dep</u>	<u>Part Description</u>	<u>Remarks</u>	<u>Option</u>	<u>Part Number</u>	<u>Qty</u>
13	Screw, M8 x 20, button hd. torx, clamps/front cover fixing			A116W5258F	5
14	Washer, flat, M8 x 21 x 1.6, clamps & front covers fixing			A111W4159F	5
15	Retainer, nylon, screws to front clamp & front cover			A116W4189F	5
16	Pin Clamp, roof front			A116V0350F	2
17	Bracket Assembly, clamp to roof rear, LH			B116V0177F	1
17a	Bracket Assembly, clamp to roof rear, RH			B116V0178F	1
17b	Bracket Assembly, roof mounting rear LH	Exige cars fitted with roll cage		A128B4007F	1
17c	Bracket Assembly, roof mounting rear RH	Exige cars fitted with roll cage		A128B4008F	1
18	Hook Clamp, roof rear, LH		D116V0179J R/B	B116V0349J	1
18a	Hook Clamp, roof rear, RH		D116V0180J R/B	B116V0348J	1
19	Screw, M6 x 16, pan hd. torx, rear brackets to roof			A116W5260F	8
19a	Bolt, roof mounting	Exige cars fitted with roll cage		A128B0074F	4
20	Washer, flat, M6 x 12 x 1.5, rear brackets to roof			B100W4127F	8
21	Foam Tape, self adhesive, anti-rattle			A036B6221V	0.12M
22	Clunk Bolt, M8, torx, roof fixing		A116B1075F R/B	C121B0083F	4
23	Grille, roof intake**	Top corner fixings, illustrated	Use 'B' level finisher	B122B0141F	1
23a	Grille, roof intake**	Side centre fixings, not illustrated	Use 'C' level finisher	C122B0141F	1
24	Finisher, roof intake grille**	Top corner fixings, illustrated	Use 'B' level grille	B122U0014F	1
24a	Finisher, roof intake grille**	Side centre fixings, not illustrated	Use 'C' level grille	C122U0014F	1
25	Plastic Rivet, grille + finisher to roof		A100W6479F R/B	A079W6195F	2
26	Intake Duct, roof panel scoop		Supercharged cars	A128B0016K	1



Function Code 12.04x Roof Panel, Seals & Fixings, Exige

<u>Dep</u>	<u>Part Description</u>	<u>Remarks</u>	<u>Option</u>	<u>Part Number</u>	<u>Qty</u>
27	Clamp, rear retention			A120V0296J	1
27a	Clamp Kit, rear retention	Includes fixings items 28-30		A120V0347S	1
28	Screw M8 x 20, torx, centre clamp rr			A116W5258F	2
29	Washer M8 x 21x 1.6, s/s blk, centre clamp rr			A111W4159F	2
30	Captive Washer M8, centre clamp rr			A116W4189F	2
31	Insert M8			A117W6718F	2
		*Use Hardtop order form located on the dealer portal			
		** Also see section 12.03x			



38

60TH
anniversary edition

28

type72D

23

California

24



29

ELISE
SUPERCHARGED

16

ELISE
Sportface

14

ELISE

3

ELISE

10

ELISE

12

1



33



9

8



32

ELISE

22

California

25



5



11



13



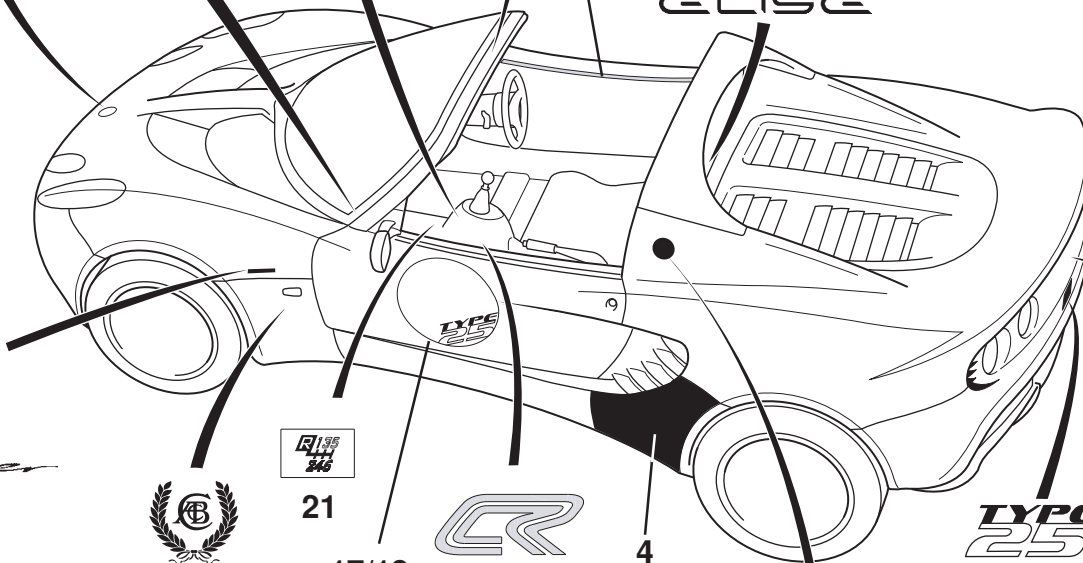
15

ELISE
SUPERCHARGED

16

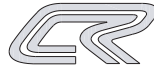
ELISE
R

30



21

17/18



31

4

TYPE
25

19



2

LOTUS

7

LOTUS

7a



36



6



20



26



37

ELISE

12.05

Updated 3rd May 2016

Service Parts List **ELISE**



Function Code 12.05 Decals, Badges & Protective Film

<u>Dep</u>	<u>Part Description</u>	<u>Remarks</u>	<u>Option</u>	<u>Part Number</u>	<u>Qty</u>
01	Nose Badge, Lotus logo			A117U0170F	1
01a	Nose Badge, Lotus logo, black/gold		Type 72	C079U4607F	1
02	Transom Badge, Lotus logo, self adhesive		ROW prior to 2005	B117U0346F	1
03	Decal, Elise, silver	On rear clamshell	Common, prior to '07 MY	A117B0512F	1
03a	Decal, Elise, graphite	On rear clamshell	Common, prior to '07 MY	A117B0518F	1
03b	Decal, Elise, silver	On rear clamshell	USA/Canada, '07 MY	A121U0163F	1
03c	Decal, Elise, graphite	On rear clamshell	USA/Canada, '07 MY	A121U0162F	1
03d	Decal, Elise, gold	USA only, 50 off	72D limited edition	A121U0179F	1
04	Film, sill protection, clear, LH	Covers larger area	B117B0301F R/B	A117B0707F	1
04a	Film, sill protection, clear, RH	Covers larger area	B117B0302F R/B	A117B0706F	1
04b	Film, sill protection, black, LH			A117B0509F	1
04c	Film, sill protection, black, RH			A117B0508F	1
05	Decal, 111R, graphite, sides	Above side repeater lamp		A120B0035F	2
05a	Decal, 111R, silver, sides	Above side repeater lamp		A120B0034F	2
06	Decal, Queens Award, gold	On LH buttress		A117B0501F	1
07	Decal, L O T U S, 'chrome'	On rear transom	USA/Canada, ROW 2005	A117U0193F	1
07a	Badge, L O T U S, 'raised chrome' letters	On rear transom	Elise R, '07 MY	A124B0326F	1
07b	Badge, L O T U S, 'raised chrome' letters	On rear transom	From approx April 2010	B124B0326F	1

ELISE

Function Code: 12.05, Page: 1

Updated 3rd June 2016

Function Code 12.05 Decals, Badges & Protective Film

<u>Dep</u>	<u>Part Description</u>	<u>Remarks</u>	<u>Option</u>	<u>Part Number</u>	<u>Qty</u>
07c	Badge, L O T U S, 'raised gold' letters	USA only, 50 off	72D limited edition	A121B0143F	1
08	Film, blackout, header rail protection.			A116B0319F	1
09	Decal, traction control	On gearlever cover	Common '06 MY	A120M0032F	1
10	Decal, Elise silver, S silver outline graphite fill	On rear camshell	Elise S, '07 MY	A131U0004F	1
10a	Decal, Elise graphite, S black outline silver fill	On rear camshell	Elise S, '07 MY	A131U0006F	1
11	Decal, S, silver outline graphite fill	Above side repeater lamp	Elise S, '07 MY	A128U0006F	2
11a	Decal, S, black outline silver fill	Above side repeater lamp	Elise S, '07 MY	A128U0007F	2
12	Decal, Elise silver, R silver outline graphite fill	On rear camshell	Elise R, '07 MY	A120U0085F	1
12a	Decal, Elise graphite, R black outline silver fill	On rear camshell	Elise R, '07 MY	A120U0083F	1
13	Decal, R, black outline silver fill	Above side repeater lamp	Elise R, '07 MY	A120U0086F	2
13a	Decal, R, silver outline graphite fill	Above side repeater lamp	Elise R, '07 MY	A120U0084F	2
14	Decal, Elise Sports Racer, white	On rear clamshell	Sports Racer	A120B0206S	1
15	Decal, Sports Racer, sides, white	Above side repeater lamp	Sports Racer	A120B0205S	2
16	Decal, Elise supercharged, graphite	Above side repeater + rear clam.	Elise SC	A121B0147F	3
16a	Decal, Elise supercharged, silver	Above side repeater + rear clam.	Elise SC	A121B0148F	3
17	Decal, white roundel	On doors	Clark Type 25 SC	A120B0230S	2
18	Decal, type 25, black/white	On roundel	Clark Type 25 SC	A120B0231S	2
19	Decal, type 25, black/white	On rear clamshell	Clark Type 25 SC	A120B0232S	1
20	Decal, J. Clark signature, yellow	LH buttress + inner doors	Clark Type 25 SC	A120B0233S	3
21	Decal, gearshift, 6 speed	Leather gear knob cars	Optional	A120U0063F	1
22	Decal, Elise	On rear glass	USA/Canada	A117U0192F	1

ELISE

Function Code: 12.05, Page: 2

Updated 3rd June 2016

Function Code 12.05 Decals, Badges & Protective Film

<u>Dep</u>	<u>Part Description</u>	<u>Remarks</u>	<u>Option</u>	<u>Part Number</u>	<u>Qty</u>
23	Decal, 72D, gold	On rear camshell, USA only, 50 off	72D limited edition	A121U0180F	1
24	Decal, California, silver, 200mm	On rear camshell, 25 ardent red, 25 saffron yellow	California, USA only	A121B0152S	1
25	Decal, California, silver, 100mm	Above side repeater, 25 ardent red, 25 saffron yellow	California, USA only	A121B0153S	2
26	Decal, 'Hethel 40th', gold		Elise S 40th Ltd Edition	A128B0098S	2
27	Decal, '1967 to 2007 Hethel 40th', gold	Not illustrated	Elise S 40th Ltd Edition	A128B0099S	2
28	Decal, 60th Anniversary, graphite	On rear clamshell	USA only	A121B0154F	1
28a	Decal, 60th Anniversary, silver	On rear clamshell	USA only	A121B0155F	1
29	Decal, 'Elise CR', graphite	On rear clamshell	Elise Club Racer '10 MY	A120B0299F	1
29a	Decal, 'Elise CR', silver	On rear clamshell	Elise Club Racer '10 MY	A120B0300F	1
30	Decal, 'CR', 90mm, graphite	Above side repeater lamp & seat back	Elise Club Racer '10 MY	A120B0301F	4
30a	Decal, 'CR', 90mm, silver	Above side repeater lamp & seat back	Elise Club Racer '10 MY	A120B0302F	4
31	Decal, 'CR', 118mm, silver	On tunnel cover (stripe on tunnel painted)	Elise Club Racer '10 MY	A120B0303F	2
32	Decal, stripe, door inner, silver, LH		Elise Club Racer '10 MY	A120B4105F	1
32a	Decal, stripe, door inner, silver, RH		Elise Club Racer '10 MY	A120B4106F	1
33	Film, clear, LH cheater panel, front	Paint body colour		A120B4031S	1
33a	Film, clear, RH cheater panel, front	Paint body colour		A120B4032S	1
34	Film Kit, additional protection	Contents: see A117T0325J Parts List	Accessory	LOTAC05147	1

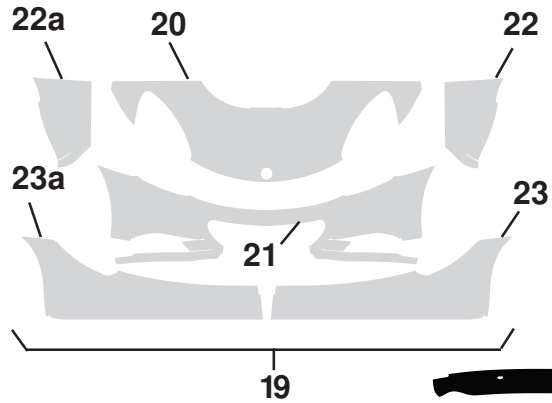
ELISE

Function Code: 12.05, Page: 3

Updated 3rd June 2016

Function Code 12.05 Decals, Badges & Protective Film

<u>Dep</u>	<u>Part Description</u>	<u>Remarks</u>	<u>Option</u>	<u>Part Number</u>	<u>Qty</u>
35	Decal Rear Screen Side LH	Not illustrated	Gulf States	A120B4025F	1
35a	Decal Rear Screen Side RH	Not illustrated	Gulf States	A120B4026F	1
36	Decal. heritage laurel, gold		72D limited edition	A117B0471F	2
37	Decal, union jack	Rear clamshell	Sport Elise 06	A111U0495F	1
38	Decal, lotus sport supercharged		Supplied as part of supercharger kit	A120U0133F	3



28



ELISE SPORT 33

ELISE 220 SPORT 32

ELISE 20 31

ELISE S 24

ELISE S 25

ELISE R 12

ELISE 3

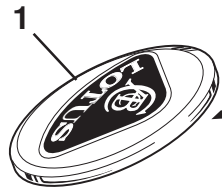
R 5

SC 6

S 18

2

LOTUS

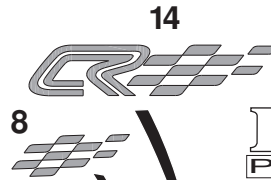
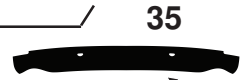


13 R 26 S

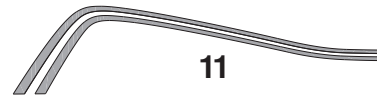
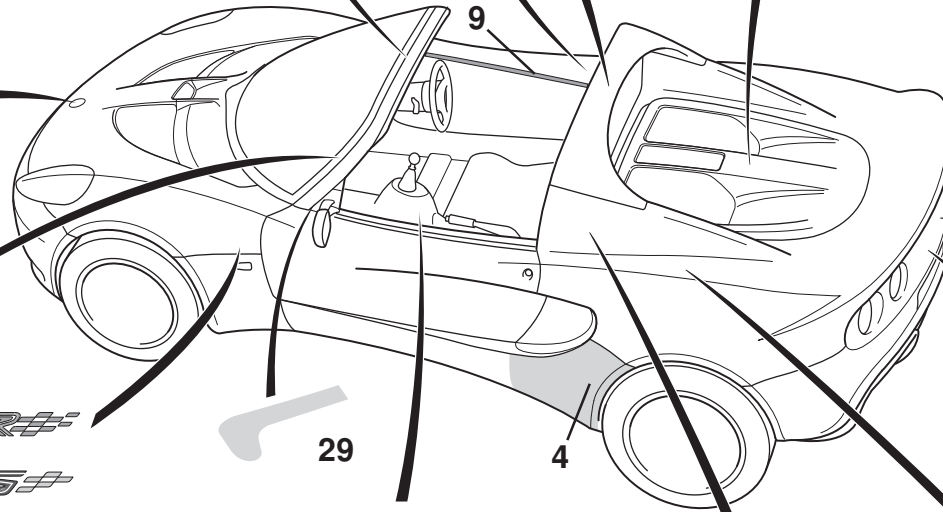
13 R 27 S

26 S

30 20



LOTUS PERFORMANCE 16



14

16

13

26

13

27

26

30

35

8

9

14

16

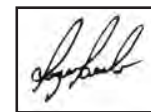
29

4

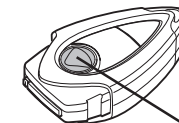
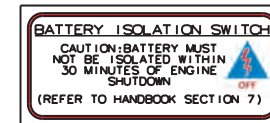
11

10

15



17



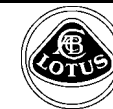
34

ELISE

12.05a

Updated 3rd May 2016

Service Parts List **ELISE**



Function Code 12.05a Decals, Badges & Protective Film, Elise 2011 MY

<u>Dep</u>	<u>Part Description</u>	<u>Remarks</u>	<u>Option</u>	<u>Part Number</u>	<u>Qty</u>
01	Nose Badge, Lotus logo			A117U0170F	1
01a	Nose Badge, Lotus logo black/silver		RGB special edition	A120U0169F	1
02	Badge, L O T U S, 'raised chrome' letters	On rear transom		B124B0326F	1
02a	Decal 'LOTUS'	Transom panel	Elise Club Racer '11 MY	A120B0452F	1
03	Badge, Elise, 'chrome'	On rear clam		A120U0150F	1
04	Film, sill protection, clear, LH			A117B0707F	1
04a	Film, sill protection, clear, RH			A117B0706F	1
05	Decal 'R', black, silver shadow	On rear clam	Elise R	A120B0377F	1
05a	Decal 'R', silver, black shadow	On rear clam	Elise R	A120B0376F	1
06	Decal 'SC', black, silver shadow	On rear clam	Elise SC	A120B0375F	1
06a	Decal 'SC', silver, black shadow	On rear clam	Elise SC	A120B0374F	1
07	Identification Plaque	Not available	RGB special edition	A120U0170F	1
08	Decal, chequered	LH door inner	Elise Club Racer '11MY', Exige Club Racer '12MY'	A120U0177F	1
08	Decal, chequered	LH door inner	Elise Club Racer '11MY', Exige Club Racer '12MY'	A120U0177F	1
08a	Decal, chequered	RH door inner	Elise Club Racer '11MY', Exige Club Racer '12MY'	A120U0176F	1
09	Decal Strip	LH door	Elise Club Racer '11MY', Exige Club Racer '12MY'	A120U0179F	1

ELISE

Function Code: 12.05a, Page: 1

Updated 3rd May 2016

Function Code 12.05a Decals, Badges & Protective Film, Elise 2011 MY

<u>Dep</u>	<u>Part Description</u>	<u>Remarks</u>	<u>Option</u>	<u>Part Number</u>	<u>Qty</u>
09a	Decal Strip	RH door	Elise Club Racer '11MY', Exige Club Racer '12MY'	A120U0178F	1
10	Decal Black Centre Console LHS		Elise Club Racer '11MY', Exige Club Racer '12MY'	A120U4079F	1
10a	Decal Black Centre Console RHS		Elise Club Racer '11MY', Exige Club Racer '12MY'	A120U4080F	1
11	Decal Silver Strip Centre Console LHS		Elise Club Racer '11MY', Exige Club Racer '12MY'	A120U4081F	1
11a	Decal Silver Strip Centre Console RHS		Elise Club Racer '11MY', Exige Club Racer '12MY'	A120U4082F	1
12	Decal 'ELISE CR'	Rear bumper	Elise Club Racer '11MY', Exige Club Racer '12MY'	A120B0450F	1
13	Decal 'CR and chequered, 140mm	Above side repeater lamp, radio blanking plate base model	Elise Club Racer '11MY', Exige Club Racer '12MY'	A120B0451F	3
14	Decal 'CR and chequered, 195mm		Elise Club Racer '11MY', Exige Club Racer '12MY'	A120B0454F	1
15	Decal Battery Isolator		Elise Club Racer '11MY', Exige Club Racer '12MY'	A120X0001F	1
16	Decal, 'LOTUS PERFORMANCE'	On engine cover		B132U0435F	1
17	Stencil RGB	RGB logo painted on LHS rear clamshell *	RGB special edition	A120B0464S	1
18	Badge 'S'			A132U0608F	1
19	Chip Protection Accessory Kit			A120B0394F	1
20	Chip Protection, front clam			A120B0392H	1
21	Chip Protection, front bumper			A120B0393H	1

ELISE

Function Code: 12.05a, Page: 2

Updated 3rd May 2016

Function Code 12.05a Decals, Badges & Protective Film, Elise 2011 MY

<u>Dep</u>	<u>Part Description</u>	<u>Remarks</u>	<u>Option</u>	<u>Part Number</u>	<u>Qty</u>
22	Chip Protection, rear wheel arch rear LH			A120B4117H	1
22a	Chip Protection, rear wheel arch rear RH			A120B4118H	1
23	Chip Protection, side sill LH			A121B4001H	1
23a	Chip Protection, side sill RH			A121B4002H	1
24	Decal 'ELISE S CR', red S	On rear clam	Elise S Club Racer 2ZR	A120B0568F	1
25	Decal 'ELISE S CR', dark gray S	On rear clam	Elise S Club Racer 2ZR	A120B0570F	1
26	Decal 'S CR', red S	Above side repeater lamp, radio blanking plate base model	Elise S Club Racer 2ZR	A120B0569F	3
27	Decal 'S CR', dark gray S	Above side repeater lamp	Elise S Club Racer 2ZR	A120B0571F	2
28	Decal, lotus sport supercharged		Supplied as part of supercharger kit	A120U0133F	3
29	Film, clear, LH cheater panel, front	Paint body colour		A120B4031S	1
29a	Film, clear, RH cheater panel, front	Paint body colour		A120B4032S	1
30	'20' Decal Black	Above side repeater lamp	Elise 20th edtion	A120B0589S	2
30a	'20' Decal White	Above side repeater lamp, radio blanking plate,	Elise 20th edtion	A120B0590S	3
31	Elise '20' Decal Black	Rear bumper	Elise 20th edtion	A120B0591S	1
31a	Elise '20' Decal White	Rear bumper	Elise 20th edtion	A120B0592S	1
32	Decal 'ELISE 220 SPORT', black	2ZR	Elise 220 SPORT	A120U0253F	1
32a	Decal 'ELISE 220 SPORT', white	2ZR	Elise 220 SPORT	A120U0254F	1
33	Decal 'ELISE SPORT'	1ZR	Elise SPORT	A120U0252F	1
34	Decal Lotus Roundal Key fob			LOTDS05288	1

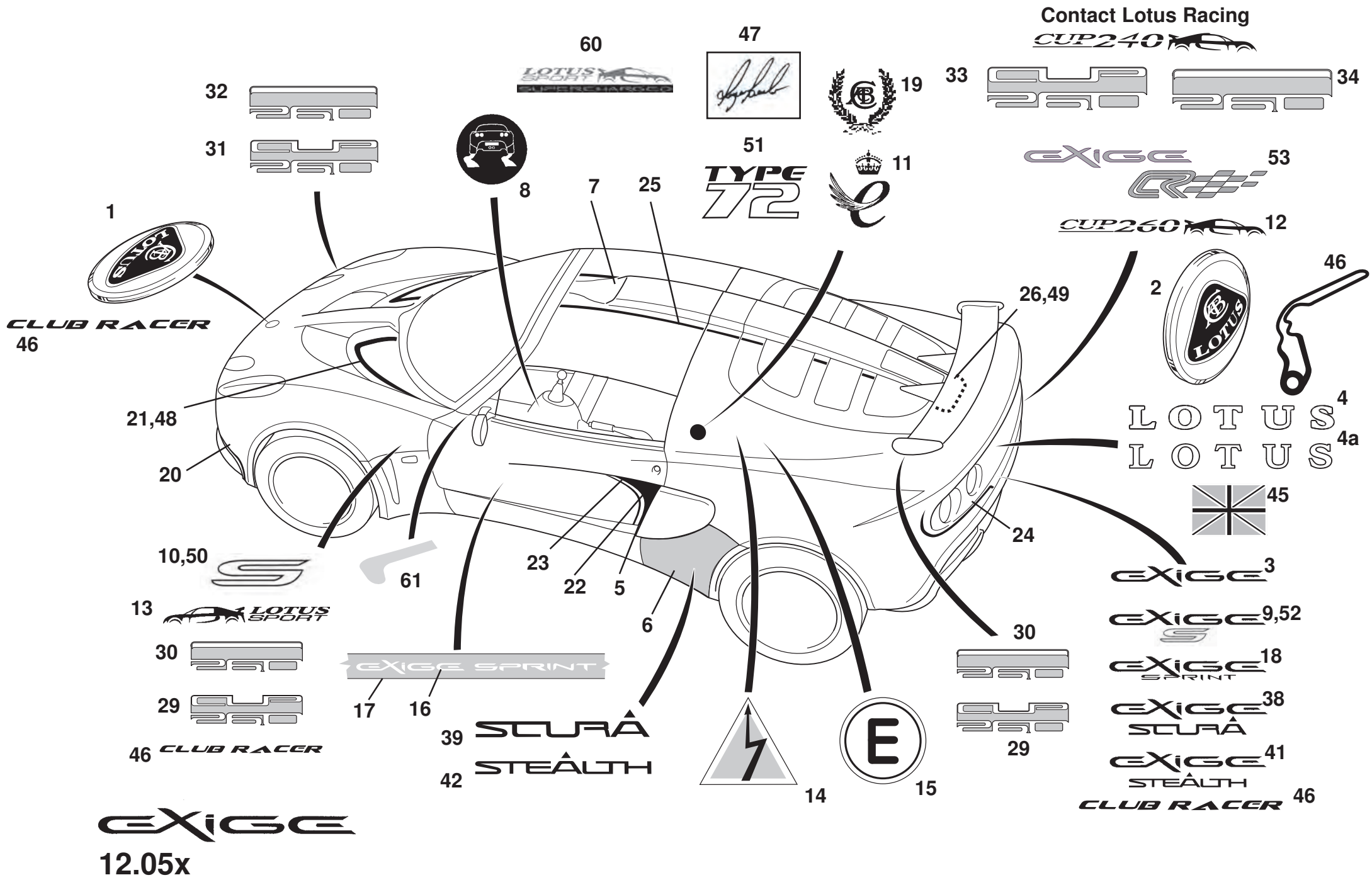
ELISE

Function Code: 12.05a, Page: 3

Updated 3rd May 2016

Function Code 12.05a Decals, Badges & Protective Film, Elise 2011 MY

<u>Dep</u>	<u>Part Description</u>	<u>Remarks</u>	<u>Option</u>	<u>Part Number</u>	<u>Qty</u>
35	Film, blackout, header rail protection.	Cars with sunvisors		A116B0319F	1
35a	Film, blackout, header rail protection.airbag label, LHD	Cars without sunvisors		A138V4351F	1
35b	Film, blackout, header rail protection.airbag label, RHD	Cars without sunvisors		A138V4351F	1
		* Refer to LSL587 for fitting instructions			



Contact Lotus Racing
CUP240 

EXIGE  53

CUP260  12

LOTUS 4
LOTUS 4a

EXIGE 3

EXIGE 9,52

EXIGE SPRINT 18

EXIGE SCURA 38

EXIGE STEALTH 41

CLUB RACER 46

Updated 1st September 2014

EXIGE
 12.05x

Service Parts List



Function Code 12.05x Decals, Badges & Protective Film, Exige

<u>Dep</u>	<u>Part Description</u>	<u>Remarks</u>	<u>Option</u>	<u>Part Number</u>	<u>Qty</u>
01	Nose Badge			A117U0170F	1
01a	Nose Badge, Lotus logo, black/gold	All body stripes and logo painted, see items 52-54	Type 72	C079U4607F	1
01b	Nose Badge, Lotus logo, black/silver	RGB	RGB special edition	A120U0169F	1
02	Transom Badge		Prior to 2005	B117U0346F	1
03	Decal, exige, charcoal, rear clamshell			A122B0159F	1
03a	Decal, exige, silver, rear clamshell			A122B0158F	1
04	Badge, L O T U S, 'raised chrome' letters		'07 MY	A124B0326F	1
04a	Badge, L O T U S, 'raised chrome' letters		From approx April 2010	B124B0326F	1
04b	Badge, L O T U S, 'raised gold' letters		Type 72	A121B0143F	1
04c	Decal, L O T U S, 'chrome'		USA/Canada, ROW 2005	A117U0193F	1
04d	Decal 'LOTUS'	See also 12.05a	Elise Club Racer '11MY', Exige Club Racer '12MY'	A120B0452F	1
05	Film, side intake protection, black, LH	Black intake outer edge	A122B0103F R/B	A122B0235F	1
05a	Film, side intake protection, black, RH	Black intake outer edge	A122B0104F R/B	A122B0234F	1
05b	Film, side intake protection, clear, LH	Intake outer edge		A122B0307F	1
05c	Film, side intake protection, clear, RH	Intake outer edge		A122B0308F	1
06	Film, sill protection, clear, LH		B117B0301F R/B	A117B0707F	1
06a	Film, sill protection, clear, RH		B117B0302F R/B	A117B0706F	1



Function Code 12.05x Decals, Badges & Protective Film, Exige

<u>Dep</u>	<u>Part Description</u>	<u>Remarks</u>	<u>Option</u>	<u>Part Number</u>	<u>Qty</u>
07	Blackout Film, roof grille			A122B0257F	1
08	Decal, traction control	On gearlever cover	Common '06 MY	A120M0032F	1
09	Decal, Exige (gray) S (silver fill black outline) rear clam		Supercharged car	A128U0004F	1
09a	Decal, Exige (silver) S (grey fill silver outline) rear clam		Supercharged car	A128U0005F	1
10	Decal, 'S', (grey fill silver outline)	Above side repeater lamp	Supercharged car	A128U0006F	2
10a	Decal, 'S', (silver fill black outline)	Above side repeater lamp	Supercharged car	A128U0007F	2
11	Decal, Queens Award, gold	LH rear clamshell	Euro cars	A117B0501F	1
12	Decal, Cup 260, black	On rear transom	Lotus Sport Cup 260	A128U0019F	1
12a	Decal, Cup 260, yellow/silver	On rear transom	Lotus Sport Cup 260	A128B0065F	1
13	Decal, Lotus Sport, black, R to L, LHS	Above side repeater lamp	Lotus Sport Cup 260	A127U0037F	1
13a	Decal, Lotus Sport, black, L to R, RHS	Above side repeater lamp	Lotus Sport Cup 260	A127U0036F	1
13b	Decal, Lotus Sport, yellow/silver, R to L, LHS	Above side repeater lamp	Lotus Sport Cup 260	A127U0035F	1
13c	Decal, Lotus Sport, yellow/silver, L to R, RHS	Above side repeater lamp	Lotus Sport Cup 260	A127U0034F	1
14	Decal, battery master switch	On LH buttress	Lotus Sport Cup 260	A127M6002F	1
15	Decal, fire extinguisher	On LH buttress	Lotus Sport Cup 260	A128B0076F	1
16	Decal, 'Exige Sprint', white, doors		Exige Sprint	A128B0095S	2
17	Decal, Gold Stripe, 50mm		Exige Sprint	A128B0096S	7M
18	Decal, 'Exige Sprint', white, rear clamshell		Exige Sprint	A128B0097S	1
19	Decal, laurel, 'ACBC/Hethel 40th', gold, LH quarter panel	Delete 'Hethel 40th' if required	Exige Sprint	A128B0098S	1
19a	Decal, '1967 to 2007 Hethel 40th', gold	Not illustrated	Exige Sprint	A128B0099S	
20	Decal, stripe, front clamshell, LH		Cup 260, '09 MY	A128B4075H	1



Function Code 12.05x Decals, Badges & Protective Film, Exige

<u>Dep</u>	<u>Part Description</u>	<u>Remarks</u>	<u>Option</u>	<u>Part Number</u>	<u>Qty</u>
20a	Decal, stripe, front clamshell, RH		Cup 260, '09 MY	A128B4076H	1
20b	Decal, stripe, front clamshell, LH		Cup 260, '10 MY	A128B4165H	1
20c	Decal, stripe, front clamshell, RH		Cup 260, '10 MY	A128B4166H	1
21	Decal, stripe, front access panel, LH	For Cup 260, '10 MY on use stencil item 50	Cup 260, '09 MY	A128B4077H	1
21a	Decal, stripe, front access panel, RH	For Cup 260, '10 My on use stencil item 50a	Cup 260, '09 MY	A128B4078H	1
22	Decal, black, outer door, LH		Cup 260, '09 MY on	A128B4079H	1
22a	Decal, black, outer door, RH		Cup 260, '09 MY on	A128B4080H	1
23	Decal, stripe, door, LH		Cup 260, '09 MY on	A128B4081H	1
23a	Decal, stripe, door, RH		Cup 260, '09 MY on	A128B4082H	1
24	Decal, stripe, rear clamshell, LH		Cup 260, '09 MY on	A128B4083H	1
24a	Decal, stripe, rear clamshell, RH		Cup 260, '09 MY on	A128B4084H	1
25	Decal, stripe, roof/tailgate, 25mm	Cup 260, '10 MY masked	Cup 260, '09 MY	A128B0190H	1
26	Decal, tailgate rear join	For For Cup 260, '10 MY on use stencil item 51	Cup 260, '09 MY	A128B0191H	1
27	Decal, door jam, black, LH	Not illustrated, located near side intake	Cup 260, '10 MY	A128B4167H	1
28	Decal, door jam, black, RH	Not illustrated, located near side intake	Cup 260, '10 MY	A128B4168H	1
29	Decal, 'Cup 260', graphite, 130mm	Aerofoil end plates 09 MY, front clam 10 MY	Cup 260, '09 MY on	A128B0184F	2
29a	Decal, 'Cup 260', silver, 130mm	Aerofoil end plates 09 MY, front clam 10 MY	Cup 260, '09 MY on	A128B0185F	2



Function Code 12.05x Decals, Badges & Protective Film, Exige

<u>Dep</u>	<u>Part Description</u>	<u>Remarks</u>	<u>Option</u>	<u>Part Number</u>	<u>Qty</u>
29b	Decal, 'Cup 260', black, 130mm	Aerofoil end plates 09 MY, front clam 10 MY	Cup 260, '09 MY on	A128B0275F	2
30	Decal, '260', graphite, 130mm	Aerofoil end plates 09 MY, front clam 10 MY	Exgie 260 on	A128B0251F	2
30a	Decal, '260', black, 130mm	Aerofoil end plates 09 MY, front clam 10 MY	Exgie 260 on	A128B0279F	2
31	Decal, 'Cup 260', graphite, 155mm	Front clam	Cup 260, '09 MY	A128B0186F	2
31a	Decal, 'Cup 260', silver, 155mm	Front clam	Cup 260, '09 MY	A128B0187F	2
31b	Decal, 'Cup 260', black, 155mm	Front clam	Cup 260, '09 MY	A128B0276F	2
32	Decal, '260', graphite, 155mm	Front clam	Exgie 260	A128B0253F	2
32a	Decal, '260', black, 155mm	Front clam	Exgie 260	A128B0280F	2
33	Decal, 'Cup 260', graphite, 180mm	Rear transom	Cup 260, '09 MY on	A128B0188F	1
33a	Decal, 'Cup 260', silver, 180mm	Rear transom	Cup 260, '09 MY on	A128B0189F	1
33b	Decal, 'Cup 260', black, 180mm	Rear transom	Cup 260, '09 MY on	A128B0277F	1
34	Decal, '260', graphite, 180mm	Rear transom	Exgie 260 on	A128B0255F	2
34a	Decal, '260', black, 180mm	Rear transom	Exgie 260 on	A128B0281F	2
35	Decal set black, Cup 260	Not illustrated, incl. items 20b,20c,22,22a,23,23a,24,24a,27, 28	Cup 260, '10 MY	A128B0288F	1
36	Film Kit, paint protection, Exige	Not illustrated, includes Front clamshell, Front bumper L/R, Side sill L/R, Rear or rear wheelarch L/R	Optional, Exige '04-'09 MY	A123B0041F	1



Function Code 12.05x Decals, Badges & Protective Film, Exige

<u>Dep</u>	<u>Part Description</u>	<u>Remarks</u>	<u>Option</u>	<u>Part Number</u>	<u>Qty</u>
36a	Film Kit, paint protection, Exige	Not illustrated, includes Nose upper, nose lower L/R, Lower skirt L/R, Side sill L/R, Rear of rear wheel arch L/R	Optional, Exige '10 MY	A128B0286F	1
37	Identification Plaque	Not illustrated, inner chassis sill	RGB special edition	A120U0170F	1
38	Decal 'Exige Scura', rear clamshell		Not Japan	A128B0298F	1
39	Decal 'Scura',bodyside		Not Japan	A128B0300F	2
40	Build Plate Scura	Not available	Not Japan	A128B0303F	1
41	Decal 'Exige Stealth', rear clamshell		Japan only	A128B0299F	1
42	Decal 'Stealth',bodyside		Japan only	A128B0301F	2
43	Build Plate Stealth	Not available	Japan only	A128B0302F	1
44	Decal 'A' frame, 4 Point Harness Protector	Not illustrated	Option	A128A0014F	1
45	Decal, union jack	Rear clamshell		A111U0495F	1
45a	Badge, union jack, enamel	Rear clamshell	Exige Sprint	A132U0995S	1
46	Decal Set Club Racer		Club racer	A128B0321S	1
47	Stencil RGB	LHS rear clamshell *	RGB special edition	A120B0464S	1
48	Stencil set front access panel LH		Cup 260, '10 MY	A128B4173S	1
48a	Stencil set front access panel RH		Cup 260, '10 MY	A128B4174S	1
49	Stencil set tailgate		Cup 260, '10 MY	A128B0317S	1
50	Stencil type S logo	Above side repeater lamp	Type 72	A128B0319S	2
51	Stencil type 72 logo	Rear clamshell	Type 72	A128B0318S	1
52	Stencil type Exige S	Rear clamshell	Type 72	A128B0320S	1



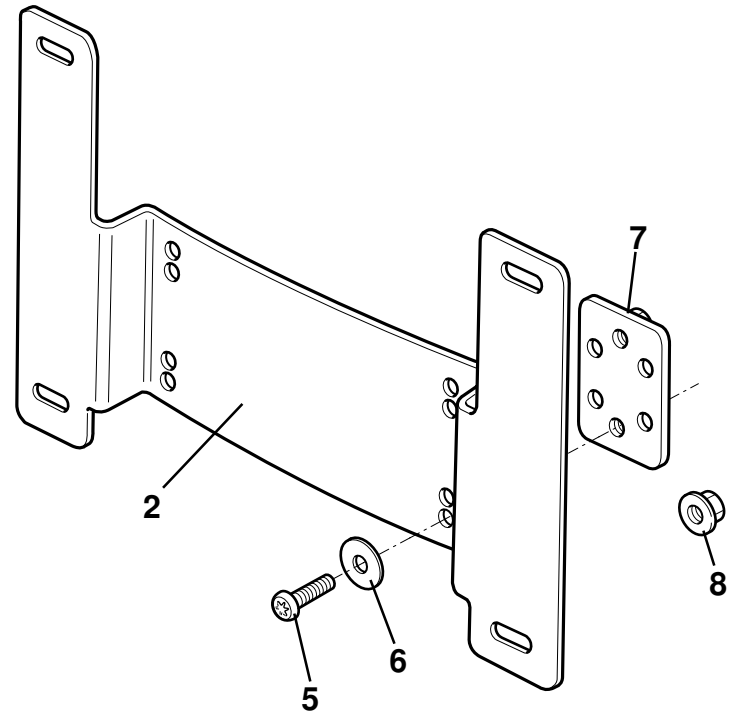
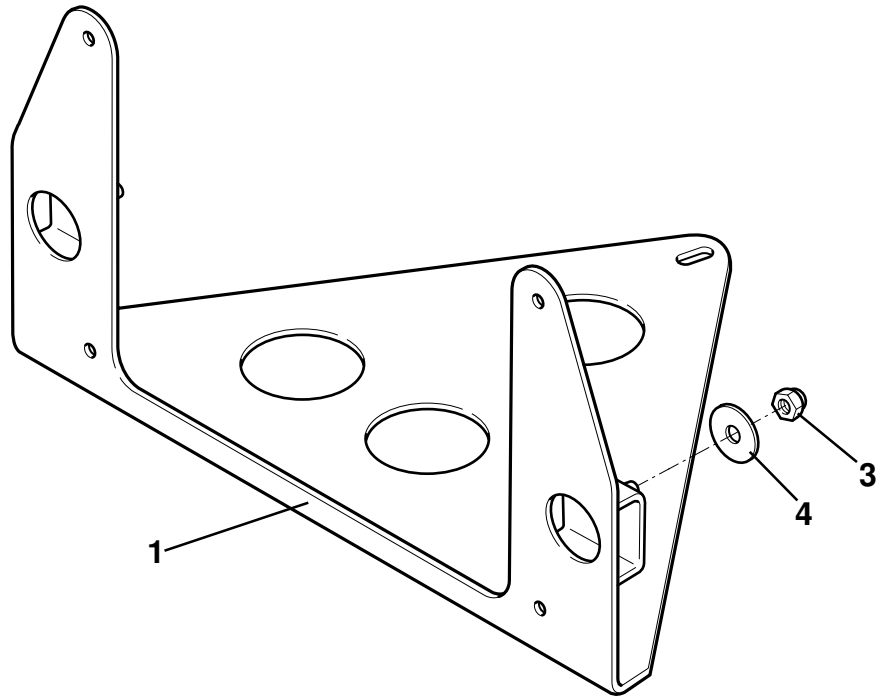
Function Code 12.05x Decals, Badges & Protective Film, Exige

<u>Dep</u>	<u>Part Description</u>	<u>Remarks</u>	<u>Option</u>	<u>Part Number</u>	<u>Qty</u>
53	Decal Exige CR	Rear clamshell	Exige Club Racer '12MY'	A120B0492F	1
54	Decal, chequered	LH door inner, see 12.05a for image	Elise Club Racer '11MY', Exige Club Racer '12MY'	A120U0177F	1
54a	Decal, chequered	RH door inner, see 12.05a for image	Elise Club Racer '11MY', Exige Club Racer '12MY'	A120U0176F	1
55	Decal Strip	LH door, see 12.05a for image	Elise Club Racer '11MY', Exige Club Racer '12MY'	A120U0179F	1
55a	Decal Strip	RH door, see 12.05a for image	Elise Club Racer '11MY', Exige Club Racer '12MY'	A120U0178F	1
56	Decal Black Centre Console LHS	See 12.05a for image	Elise Club Racer '11MY', Exige Club Racer '12MY'	A120U4079F	1
56a	Decal Black Centre Console RHS	See 12.05a for image	Elise Club Racer '11MY', Exige Club Racer '12MY'	A120U4080F	1
57	Decal Silver Strip Centre Console LHS	See 12.05a for image	Elise Club Racer '11MY', Exige Club Racer '12MY'	A120U4081F	1
57a	Decal Silver Strip Centre Console RHS	See 12.05a for image	Elise Club Racer '11MY', Exige Club Racer '12MY'	A120U4082F	1
58	Decal 'CR and chequered, 140mm	Above side repeater lamp, radio blanking plate base model, see 12.05a for image	Elise Club Racer '11MY', Exige Club Racer '12MY'	A120B0451F	3
59	Decal 'CR and chequered, 195mm	Roll hoop cover, see 12.05a for image	Elise Club Racer '11MY', Exige Club Racer '12MY'	A120B0454F	1
60	Decal, lotus sport supercharged		Supplied as part of supercharger kit	A120U0133F	3
61	Film, clear, LH cheater panel, front	Paint body colour		A120B4031S	1
61a	Film, clear, RH cheater panel, front	Paint body colour		A120B4032S	1



Function Code 12.05x Decals, Badges & Protective Film, Exige

<u>Dep</u>	<u>Part Description</u>	<u>Remarks</u>	<u>Option</u>	<u>Part Number</u>	<u>Qty</u>
		* Refer to LSL587 for fitting instructions			



ELISE
12.07

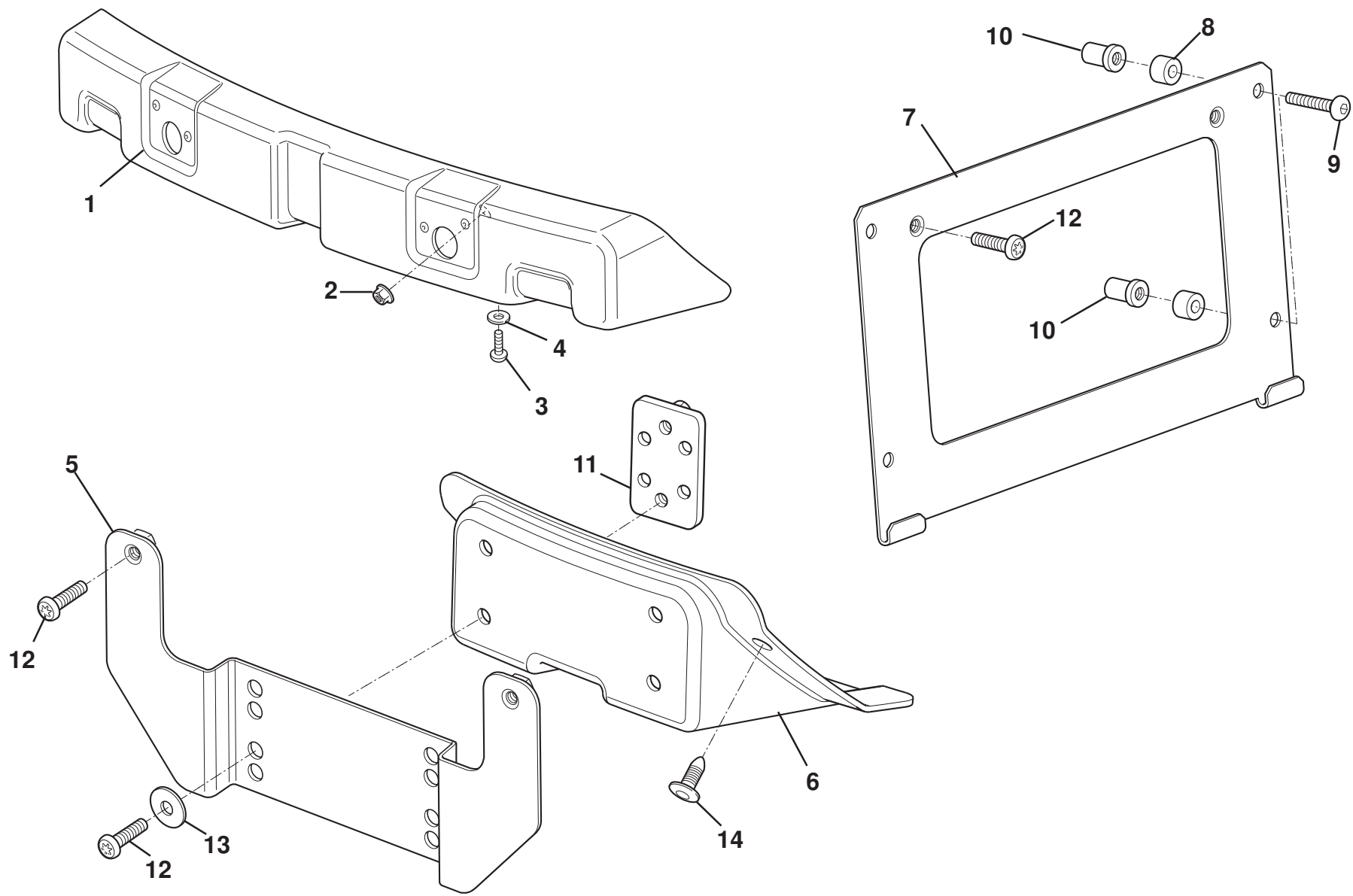
Service Parts List **ELISE**



Function Code 12.07 Licence Plate Mountings

<u>Dep</u>	<u>Part Description</u>	<u>Remarks</u>	<u>Option</u>	<u>Part Number</u>	<u>Qty</u>
01	Licence Plate Plinth, front		Japan only	A117B0410F	1
02	License Plate Plinth, front, federal	Screw type fixing	USA/Canada	A121U0170F	1
02a	License Plate Plinth, front, federal	Not illustrated, stud type fixing*	USA/Canada	B121U0001F	1
02b	License Plate Plinth, front, federal	Not illustrated,	Exige	A128B0287F	1
03	Nyloc Nut, M6, thin, plinth to clamshell	4 off, USA	Japan + USA stud type	A907E6285F	2
04	Washer, flat, M6 x 25, x 1.4, plinth to clamshell	4 off, USA	Japan + USA stud type	B075W4017Z	2
05	Screw, M6 x 16, pan, torx hd. S/S, plinth & plate fixing	4 off for rear plate mounting	USA/Canada	A117W2213F	12
06	Washer, flat, M6 x 15 x 1.5, S/S black, plinth to clamshell		USA/Canada	A082W4133F	4
07	Nutplate, M6, plinth to splitter panel	For bonding in place	Exige, USA/Canada	A121B0119F	2
08	Nut, M6, flange, whiztight, plinth to clamshell		Elise, USA/Canada	A121W3196F	4

*When obsolete, replaced by A121U0170F, so need to also order 4x item 5 & 6 as this does not come with studs and item 7 if required.



ELISE
12.07a

Updated 15th March 2012

Service Parts List **ELISE**



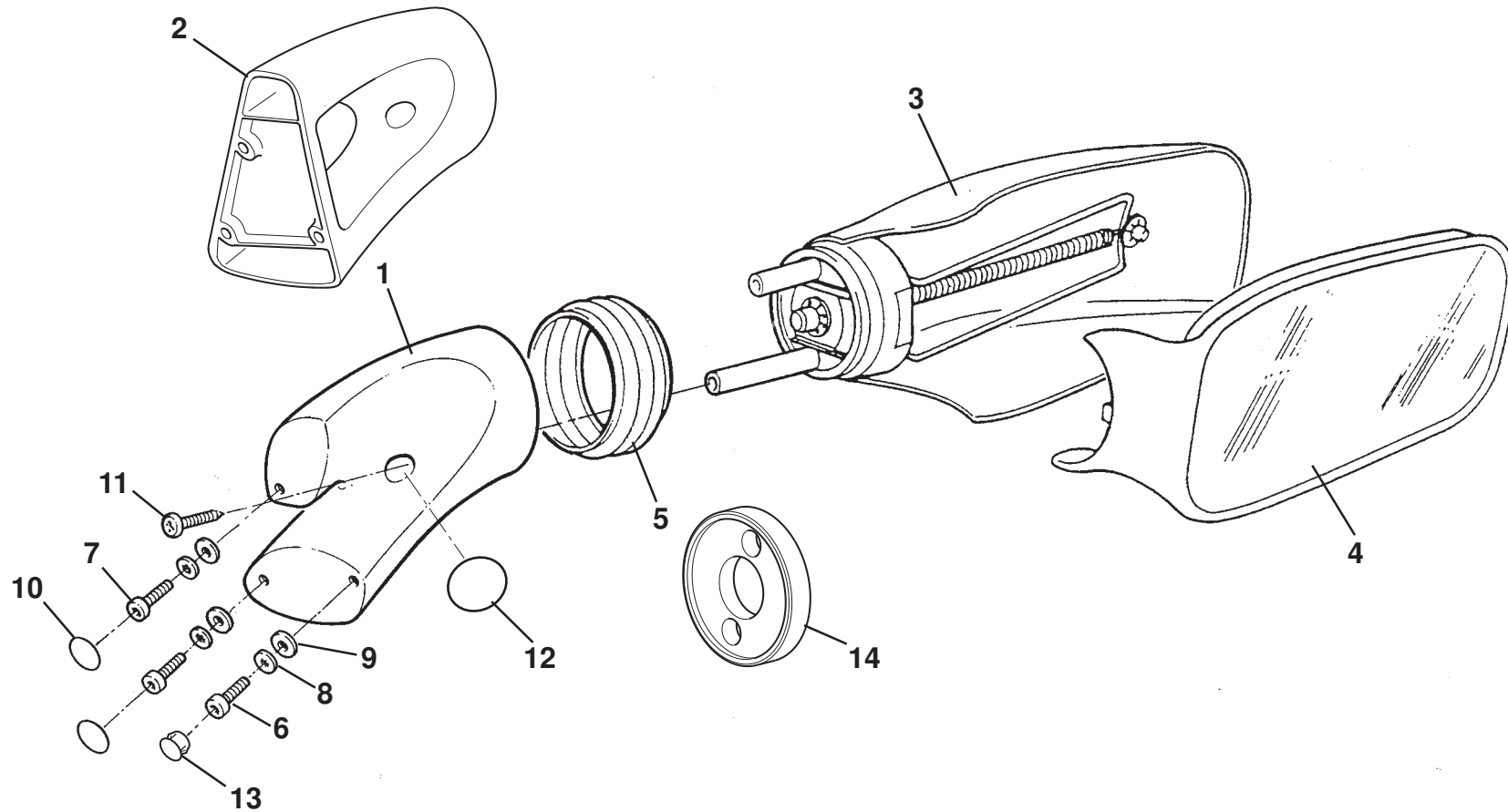
Function Code 12.07a Licence Plate Mountings, Elise 2011 MY

<u>Dep</u>	<u>Part Description</u>	<u>Remarks</u>	<u>Option</u>	<u>Part Number</u>	<u>Qty</u>
01	Plinth Assembly, front license plate mounting		Euro	A120B0304J	1
02	Nut, M6 flg, plinth to clamshell	5 off prior to vin 11418		A117W3180F	2
03	Screw, M6 x 16, hex hd. s/s black, plinth to clamshell		From vin 11418	A126W1215F	3
04	Washer, M6 x 18 x 1.6 s/s black, plinth to clamshell		From vin 11418	A126W4213F	3
05	Bracket licence plate frt		Japan/Taiwan from vin 11418	A132U0467F	1
05a	Bracket licence plate frt		USA	A121U0170F	1
06	Plinth Assembly, front license plate mounting		USA & Japan/Taiwan from vin 11418	A121B0168K	1
07	Carrier, rear number plate		Japan/Taiwan from vin 11418	A132U0480F	1
08	Spacer, nylon			A117W6721F	4
09	Screw M6 x 25 skt btn black s/s			A116W7206F	4
10	Jacknut M6			A075W3031Z	4
11	Nutplate number plate mounting		Japan/Taiwan from vin 11418	A121B0119E	2
12	Screw M6 x 16 btn cap black s/s			A082W7105F	8
13	Washer M6 x 15 x 1.5 s/s			A082W4133F	4
14	Button Firtree 6.35x19.50 black			A132W6006F	2

ELISE

Function Code: 12.07a, Page: 1

Updated 2nd February 2015



ELISE
12.09

Updated 16th January 2013

Service Parts List **ELISE**



Function Code 12.09 Exterior Driving Mirrors

<u>Dep</u>	<u>Part Description</u>	<u>Remarks</u>	<u>Option</u>	<u>Part Number</u>	<u>Qty</u>
01	Plinth, mirror mounting, RH, open ended mounting	Not painted	A117U0124F R/B	B117U0124F	1
01a	Plinth, mirror mounting, LH, open ended mounting	Not painted	A117U0123F R/B	B117U0123F	1
02	Plinth, mirror mounting, RH, triangular mounting	Not painted		A120U4066F	1
02a	Plinth, mirror mounting, LH, triangular mounting	Not painted		A120U4065F	1
03	Mirror Housing	Not painted	Common RH & LH	B111U0117K	2
04	Glass Assembly, convex	Except USA/Canada, RH	Common RH & LH	A111U6046F	2
04a	Glass Assembly, convex, script, federal, LHD, RH		USA/Canada RH	A121B0017F	1
04b	Glass Assembly, flat	Also Australia RH	USA/Canada and Gulf States LH	A111U6039F	1
04c	Glass Assembly, convex, arabic text		Gulf States	A121B0157F	1
05	Bellows, mirror to plinth			A111U6032F	2
06	Screw, M5 x 20, cap hd., plinth to door		Rearward fixings	A111W7126F	2
07	Screw, M5 x 16, cap hd.		Forward fixings	A117W7216F	4
08	Washer, internal shakeproof, M5, plinth to door			A075W4045Z	6
09	Washer, flat, M5, plinth to door			A075W4011Z	6
10	Blanking Decal, 20mm, door holes covering			A111V0206F	4
11	Screw, Ejot, torx hd., plinth to mirror			A117F6001F	2
12	Blanking Decal, 26mm, plinth hole covering			A116B0399F	2
13	Blanking Plug, dia 9.5 black, door holes covering			A124W6857F	2

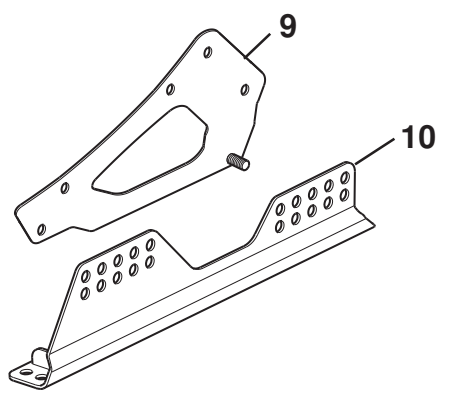
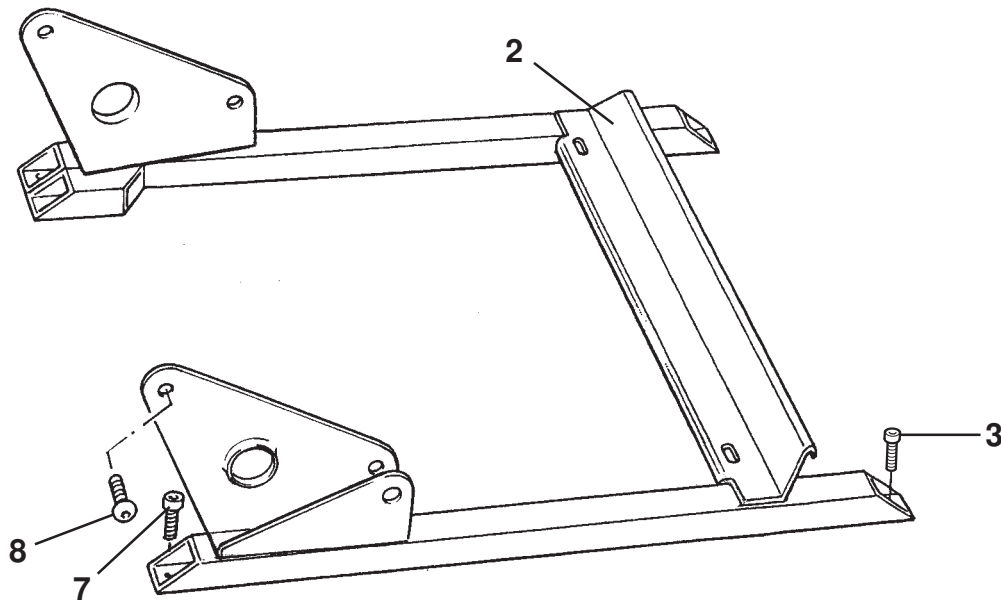
ELISE

Function Code: 12.09, Page: 1

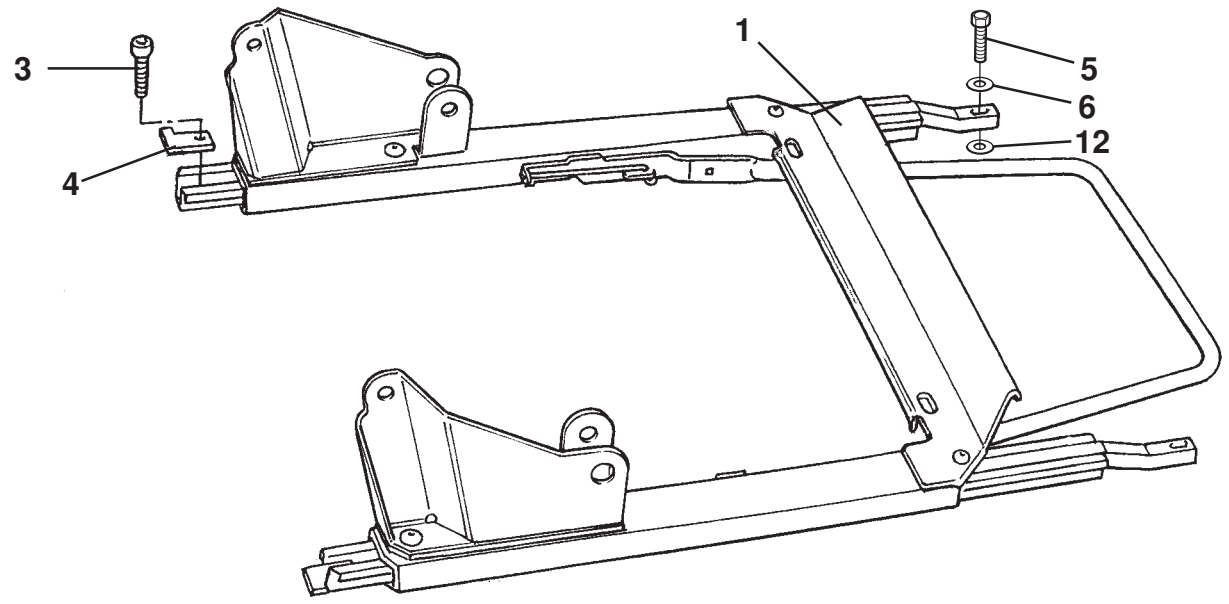
Updated 2nd November 2015

Function Code 12.09 Exterior Driving Mirrors

<u>Dep</u>	<u>Part Description</u>	<u>Remarks</u>	<u>Option</u>	<u>Part Number</u>	<u>Qty</u>
14	Spacer, door mirror			A120B0339F	2



FIA approved fixed seat



ELISE
13.01

Updated 1st April 2014

Service Parts List **ELISE**



Function Code 13.01 Seat Runners

<u>Dep</u>	<u>Part Description</u>	<u>Remarks</u>	<u>Option</u>	<u>Part Number</u>	<u>Qty</u>
01	Seat Runners, driver, RHD, LHD	All models from Vins see below * Exige, sports seat, from '06 MY	C120B0135F/136F R/B	A120B0155F	1
01a	Seat Runners, driver, RHD	All models up to Vins see below * Exige, sports seat, prior '06 MY		C116U0068F	1
01b	Seat Runners, driver, LHD	All models up to Vins see below * Exige, sports seat, prior '06 MY		C116U0067F	1
02	Seat Mounting Frame, passenger, RHD	All models	C120U0006F, A122U0068F R/B	A120B0168F	1
02a	Seat Mounting Frame, passenger, LHD	All models	C120U0005F, A122U0067F R/B	A120B0169F	1
03	Screw, M8 x 22, cap hd., runner rear/mtg. frame front fix.			A120W5284F	4
04	Stop, seat runner			A138V0324F	2
05	Screw, M8 x 25, hex. hd. black, runner front fix.		A111W7115F R/B	B075W1039Z	2
06	Washer, flat, M8 x 16.6 x 1.4, runner front fix.			A075W4020Z	2
07	Screw, M8 x 16, cap hd., mounting frame rear fix.			A111W7125F	2
08	Screw, M8 x 12, button hd., side brackets to seat			A111W7131F	4
09	Fixed Seat Mounting LH, FIA approved	Track only option	Exige Cup 260 2010 MY	A128U4013S	1
09a	Fixed Seat Mounting RH, FIA approved	Track only option	Exige Cup 260 2010 MY	A128U4014S	1
10	Seat Support Plate LH, FIA approved	Track only option	Exige Cup 260 2010 MY	A128B4107S	1
10a	Seat Support Plate RH, FIA approved	Track only option	Exige Cup 260 2010 MY	A128B4108S	1
11	Seat Mounting Bracket set, fixed seats, FIA approved	Track only option	Exige Cup 260 2010 MY	A128U0047S	2

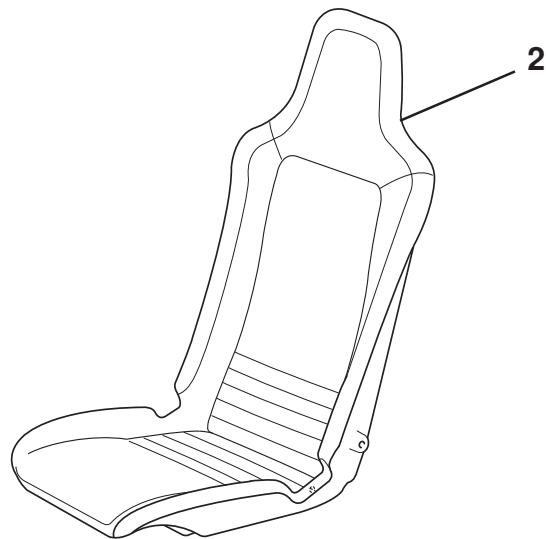
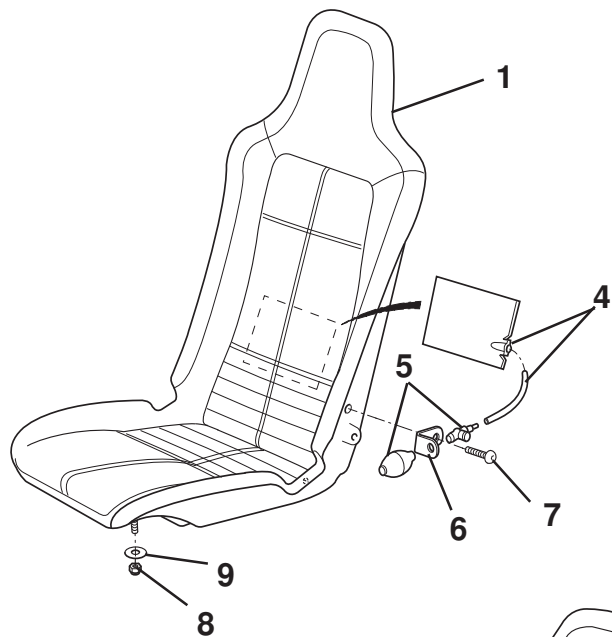
ELISE

Function Code: 13.01, Page: 1

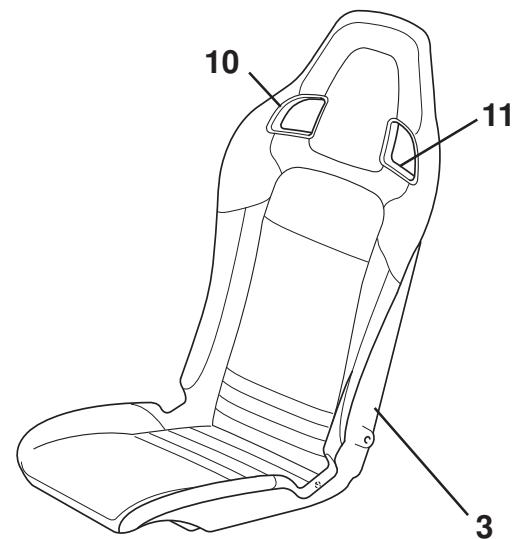
Updated 1st December 2014

Function Code 13.01 Seat Runners

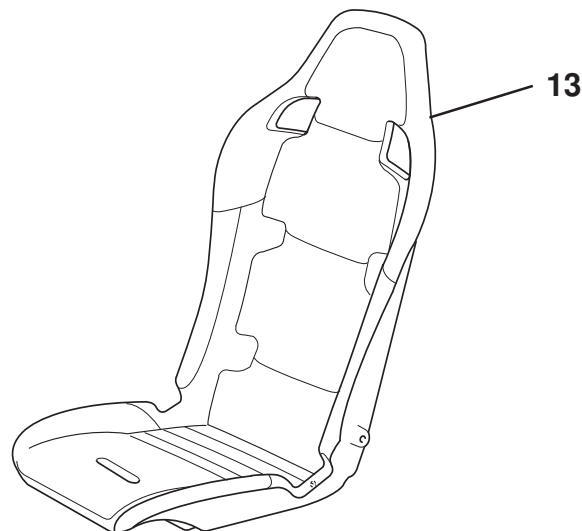
<u>Dep</u>	<u>Part Description</u>	<u>Remarks</u>	<u>Option</u>	<u>Part Number</u>	<u>Qty</u>
12	Washer, flat, M8 x 20.5 x 1.4, drivers seat runner			A082W4165F	3
		*Elise 4H_2403, Exige with standard seat 4H_2395,			



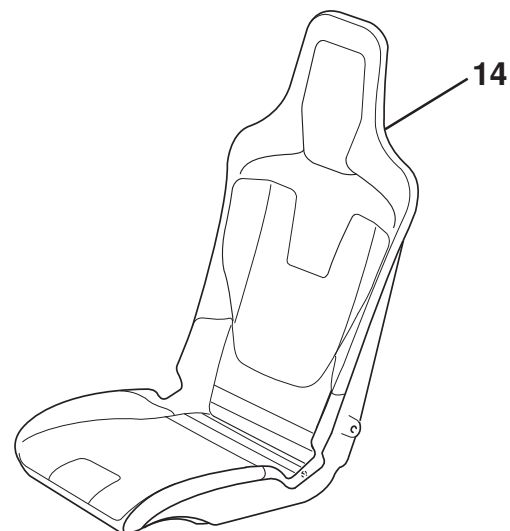
Probax seat



Sports seat



Sports seat with comfort pads



Seat with comfort pads

ELISE

13.02

Updated 27th September 2012

Service Parts List **ELISE**



Function Code 13.02 Seat Assemblies, front

<u>Dep</u>	<u>Part Description</u>	<u>Remarks</u>	<u>Option</u>	<u>Part Number</u>	<u>Qty</u>
01	Seat Assembly, with lumbar support, LH pump/valve		Cloth	A120V0115S	1
01a	Seat Assembly, with lumbar support, RH pump/valve		Cloth	A120V0116S	1
01b	Seat Assembly, with lumbar support, LH pump/valve		Black half leather	A120V0117S	1
01c	Seat Assembly, with lumbar support, RH pump/valve		Black half leather	A120V0118S	1
01d	Seat Assembly, with lumbar support, LH pump/valve		Black leather	A120V0119S	1
01e	Seat Assembly, with lumbar support, RH pump/valve		Black leather	A120V0120S	1
01f	Seat Assembly, with lumbar support, LH pump/valve		Ruby leather	A120V0121S	1
01g	Seat Assembly, with lumbar support, RH pump/valve		Ruby leather	A120V0122S	1
01h	Seat Assembly, with lumbar support, LH pump/valve		Ink blue leather	A120V0123S	1
01i	Seat Assembly, with lumbar support, RH pump/valve		Ink blue leather	A120V0124S	1
01j	Seat Assembly, with lumbar support, LH pump/valve		Biscuit leather	A120V0127S	1
01k	Seat Assembly, with lumbar support, RH pump/valve		Biscuit leather	A120V0128S	1
01l	Seat Assembly, with lumbar support, LH pump/valve	Cloth centre, USA only	Black half leather	A121V0011S	1
01m	Seat Assembly, with lumbar support, RH pump/valve	Cloth centre, USA only	Black half leather	A121V0012S	1
01n	Seat Assembly, with lumbar support, LH pump/valve		Black alcantara	A120V0129S	1
01o	Seat Assembly, with lumbar support, RH pump/valve		Black alcantara	A120V0130S	1
01p	Seat Assembly, with lumbar support, LH pump/valve		Blue alcantara	A120V0131S	1
01q	Seat Assembly, with lumbar support, RH pump/valve		Blue alcantara	A120V0132S	1

ELISE

Function Code: 13.02, Page: 1

Updated 3rd January 2017

Function Code 13.02 Seat Assemblies, front

<u>Dep</u>	<u>Part Description</u>	<u>Remarks</u>	<u>Option</u>	<u>Part Number</u>	<u>Qty</u>
01r	Seat Assembly, with lumbar support, LH pump/valve		Red alcantara	A120V0133S	1
01s	Seat Assembly, with lumbar support, RH pump/valve		Red alcantara	A120V0134S	1
01t	Seat Assembly, with lumbar support, LH pump/valve	Exige, standard	Cloth	A122V0041S	1
01u	Seat Assembly, with lumbar support, RH pump/valve	Exige, standard	Cloth	A122V0040S	1
01v	Seat Assembly, with lumbar support, LH pump/valve	Exige option	Black alcantara	A122V0043S	1
01w	Seat Assembly, with lumbar support, RH pump/valve	Exige, option	Black alcantara	A122V0042S	1
02	Seat Assembly, probax, common		'06 MY, cream leather	A120V0271S	2
02a	Seat Assembly, probax, common		'06 MY, red leather	A120V0273S	2
02b	Seat Assembly, probax, common		'06 MY, biscuit leather	A120V0275S	2
02c	Seat Assembly, probax, common		'06 MY, tan leather	A120V0277S	2
02d	Seat Assembly, probax, common		'06 MY, black microfibre	A120V0279S	2
02e	Seat Assembly, probax, common		'06 MY, red microfibre	A120V0281S	2
02f	Seat Assembly, probax, common		'06 MY, blue microfibre	A120V0283S	2
02g	Seat Assembly, probax, common		'06 MY, black cloth	A120V0285S	2
02h	Seat Assembly, probax, common		'06 MY, black leather	A120V0287S	2
03	Sports Seat, Exige, no lumbar support	Black carbon effect/leather sides	Black alcantara	A122V0044S	2
03a	Sports Seat, Exige, with lumbar support, LH pump/valve	Black carbon effect/leather sides	Black alcantara	A122V0061S	1
03b	Sports Seat, Exige, with lumbar support, RH pump/valve	Black carbon effect/leather sides	Black alcantara	A122V0060S	1
03c	Sports Seat, Exige, probax, common	Black cloth sides	'06 MY, black cloth	A122V0063S	2
03d	Sports Seat, Exige, probax, common		'06 MY, black leather	A122V0065S	2
03e	Sports Seat, Exige, probax, common		'06 MY, black microfibre	A122V0067S	2

ELISE

Function Code: 13.02, Page: 2

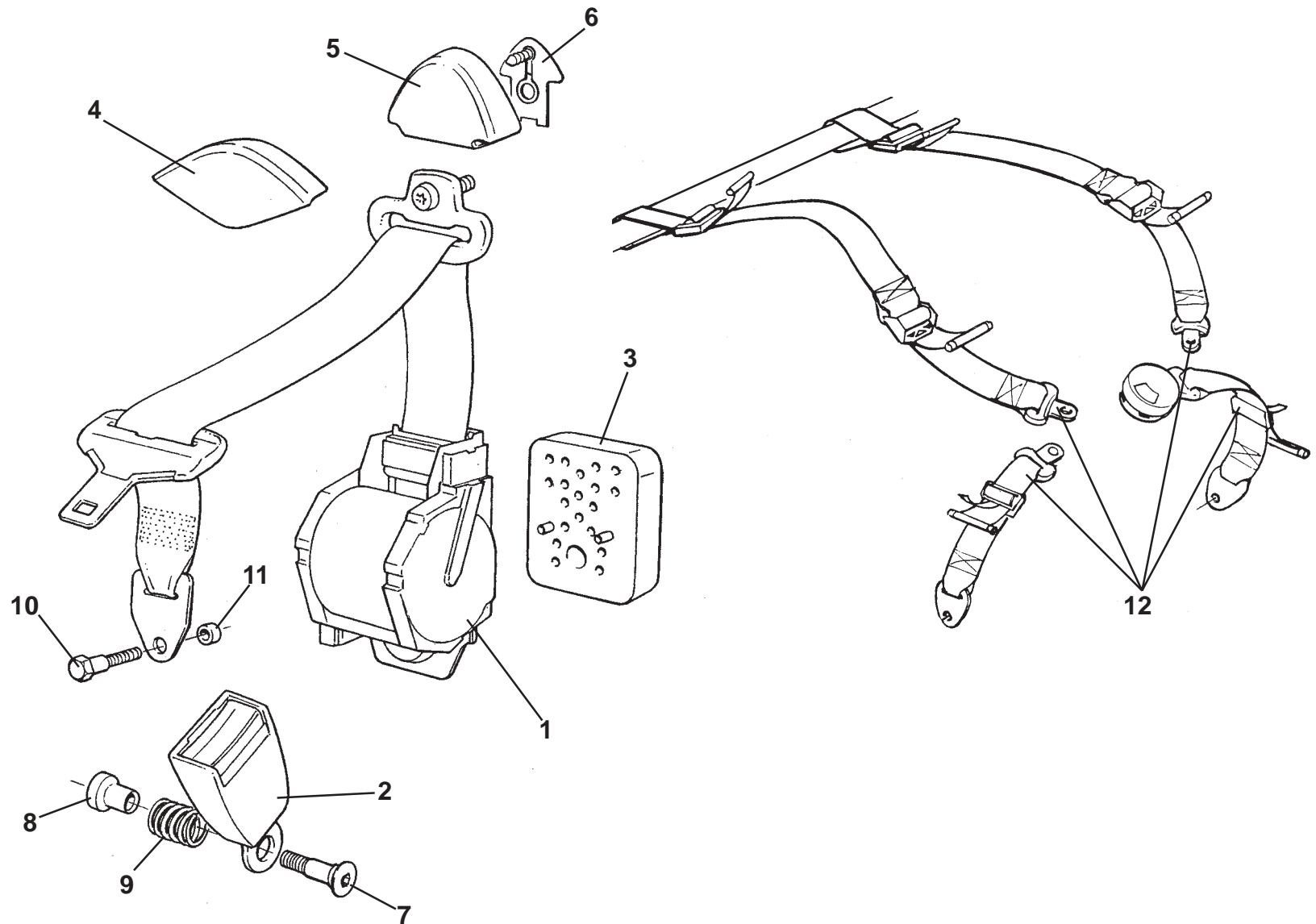
Updated 3rd January 2017

Function Code 13.02 Seat Assemblies, front

<u>Dep</u>	<u>Part Description</u>	<u>Remarks</u>	<u>Option</u>	<u>Part Number</u>	<u>Qty</u>
03f	Sports Seat, Exige, probax, common	Black carbon leather sides	'06 MY, carbon leather	A122V0069S	2
04	Inflatable Lumbar Support/Tube		Prior to '06 MY	A111V0117F	1
05	Pump & Valve, lumbar support		Prior to '06 MY	A089V6142F	1
06	Bracket, pump & valve assy. mounting		Prior to '06 MY	A116U0190F	1
07	Screw, M8 x 12, button hd., bracket to seat		Prior to '06 MY	A111W7131F	1
08	Nyloc Nut, M8, seat to runner/frame			A075W3010Z	4
09	Washer flat, M8 x 17 x 1.6, seat to runner/frame			A075W4020Z	4
10	Bezel, seat belt aperture, front, RH		Exige sports seat	A122U0046K	2
10a	Bezel, seat belt aperture, rear, RH		Exige sports seat	A122U0050K	2
11	Bezel, seat belt aperture, front, LH		Exige sports seat	A122U0049K	2
11a	Bezel, seat belt aperture, rear, LH		Exige sports seat	A122U0045K	2
12	Washer, spring, M6			A075W4035Z	2
13	Sports Seat, Exige, carbon fibre, driver	Exposed with comfort pads	Exige Cup 260	A128V0002J	1
13a	Sports Seat, Exige, carbon fibre, passenger, RHD	Exposed with comfort pads	Exige Cup 260	A128V0004J	1
13b	Sports Seat, Exige, carbon fibre, passenger, LHD	Exposed with comfort pads	Exige Cup 260	A128V0010J	1
13c	Sports Seat, Exige, carbon fibre, driver	Exposed with comfort pads, FIA approved if fixed*	Exige Cup 260, '10 MY	A128V0013J	1
13d	Sports Seat, Exige, carbon fibre, passenger, RHD	Exposed with comfort pads	Exige Cup 260, '10 MY	A128V0012J	1
13e	Sports Seat, Exige, carbon fibre, passenger, LHD	Exposed with comfort pads	Exige Cup 260, '10 MY	A128V0011J	1
13f	Sports Seat, Exige, polished carbon fibre,	Exposed with comfort pads	Exige Scura/Stealth	A128V0145S	2

Function Code 13.02 Seat Assemblies, front

<u>Dep</u>	<u>Part Description</u>	<u>Remarks</u>	<u>Option</u>	<u>Part Number</u>	<u>Qty</u>
14	Seat, shell, body coloured, CR logo on shell	Exposed with comfort pads, provide seat shell colour when ordering	Elise Club Racer '10 MY	A120V0354S	2
		Note: 111R prior to VIN: 32403 uses '04 MY seats, see Elise 2001 Parts List A117T0325J			
		*Note: uses bracket set, item 9 in section 13.01			



ELISE
13.27

Service Parts List **ELISE**



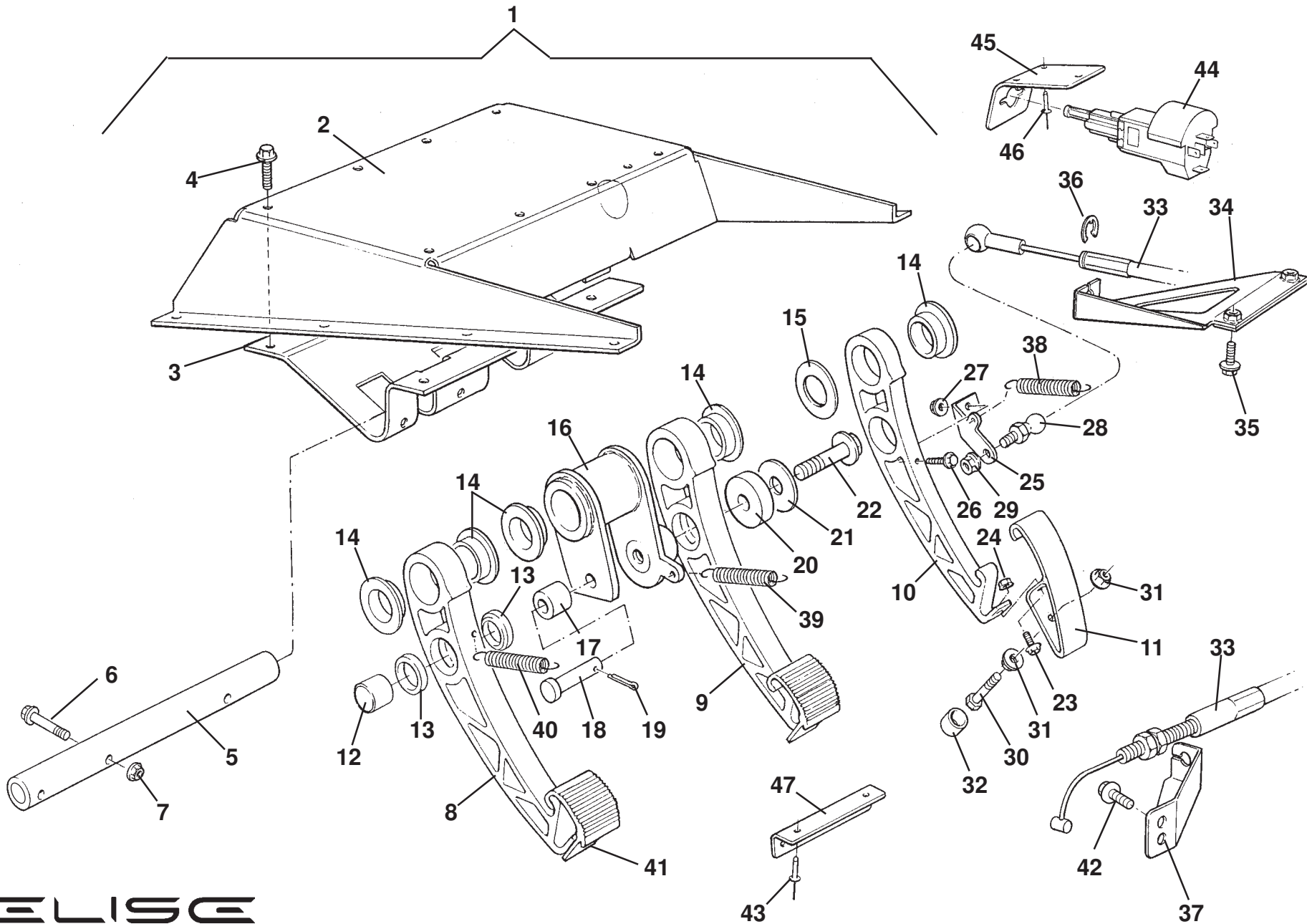
Function Code 13.27 Seat Belts, front

<u>Dep</u>	<u>Part Description</u>	<u>Remarks</u>	<u>Option</u>	<u>Part Number</u>	<u>Qty</u>
01	Seat Belt Assembly, retractor	Non-airbag	Euro, prior '08 MY	B120B0024F	2
01a	Seat Belt Assembly, retractor, airbag, driver		Twin airbag cars	B121B0013F	1
01b	Seat Belt Assembly, retractor, airbag, passenger		Twin airbag cars	B121B0014F	1
02	Buckle, seat belt		Common	A120B0026F	2
02a	Buckle, seat belt, switched	With lead and connector	Japan + airbag driver	A120B0025F	2
03	Spacer Block, belt to bracket	Non-airbag	Euro, prior '08 MY	A117U0422F	2
03a	Spacer Block, belt to bracket		Twin airbag cars	A121U0008F	2
04	Cover, upper anchorage	Non-airbag	Euro, prior '08 MY	A117U6014F	2
04a	Cover Assembly, upper anchorage	Not illus., USA Exige also	Euro airbag, '08 MY	A116U6007S	2
05	Cover Assembly, upper anchorage	With foam insert	USA/Canada	A121U0110J	1
06	Backplate Assembly, cover retaining	Includes fir tree fixing	USA/Canada	A121U0148F	2
07	Bolt, 7/16" UNF, csk., skt., hd., seat belt buckle			B121W2209F	2
08	Spacer, stepped, seat belt buckle			A121B0045F	2
09	Spring, seat belt buckle			A111U6016F	2
10	Bolt, shoulder, 7/16", seat belt fixing			B121W2210F	2
11	Spacer, 19.0 dia. x 12.5mm, seat belt fixing			A121W6782F	2
12	Harness, 4 point seat belt, RH	See Service Bulletin 2004/24	Exige option	A122V0050F	1
12a	Harness, 4 point seat belt, LH	See Service Bulletin 2004/24	Exige option	A122V0049F	1

ELISE

Function Code: 13.27, Page: 1

Updated 2nd February 2015



ELISE
14.01

Updated 1st December 2014

Service Parts List **ELISE**



Function Code 14.01 Pedal Box, Pedals, Throttle Control

<u>Dep</u>	<u>Part Description</u>	<u>Remarks</u>	<u>Option</u>	<u>Part Number</u>	<u>Qty</u>
01	Pedal Box Assembly, RHD	Incl. pedals, servo/master cyl.		D120J0002F	1
01a	Pedal Box Assembly, LHD	Incl. pedals, servo/master cyl.		D120J0001F	1
02	Pedal Box			Not Issued	1
03	Pedal Shaft Support			Not Issued	1
04	Screw, M5 x 16, flg. hd., shaft support to pedal box			A132J6025H	6
05	Pedal Shaft			Not Issued	1
06	Bolt, M5 x 30 flg. hd.			A120J6017H	3
07	Flange Nut, M5			A130W3007H	3
08	Clutch Pedal Assembly			C111J0015J	1
09	Brake Pedal Assembly			B111J0070J	1
10	Throttle Pedal Arm			A117J0103F	1
10a	Throttle Pedal Assembly			A117J0102J	1
11	Pad, throttle pedal			A111J0081F	1
12	Trunnion, clutch pedal			Not issued	1
13	Bush, synthetic, pedal trunnion			A111J6036F	2
14	Bush, pedal pivots			A111J6018F	5
15	Thrust Washer, throttle pedal pivot			A111J6019F	1
16	Relay Lever, brake pedal			Not issued	1

ELISE

Function Code: 14.01, Page: 1

Updated 1st December 2014

Function Code 14.01 Pedal Box, Pedals, Throttle Control

<u>Dep</u>	<u>Part Description</u>	<u>Remarks</u>	<u>Option</u>	<u>Part Number</u>	<u>Qty</u>
17	Spacer, pin to pushrod clevis			A116J6022H	1
18	Clevis Pin, brake cyl. pushrod to lever			A116J6023H	1
19	Split Pin, clevis pin retaining			A116J6024H	1
20	Rubber Washer			Not issued	1
21	Washer, flat			Not issued	1
22	Bolt, flg. hd., relay lever to pedal			Not issued	1
23	Screw, M5 x 16, flg. hd., throttle pad to arm			A075W4011Z	1
24	Nut, M5, flg. hd., throttle pad to arm			A075W3008Z	1
25	Bracket, cable to pedal			A117J0089F	1
26	Screw, flg. hd., bracket to arm			Not issued	1
27	Nut, flg. hd., bracket to arm			Not issued	1
28	Ball Stud, throttle cable to pedal			A117W6745F	1
29	Nut, ball to bracket			Not issued	1
30	Bolt, throttle pedal downstop			Not issued	1
31	Nut, throttle pedal downstop			Not issued	2
32	Buffer, throttle pedal downstop			X046B6113Z	1
33	Throttle Cable			A120J0007F	1
34	Abutment, cable front			A117J0087F	1
35	Bolt, M5 x 10, flg. hd., abutment to chassis			A117W5261F	2
36	'C' Clip, cable to abutment			Not issued	1
37	Abutment, cable to engine			B120J0010F	1

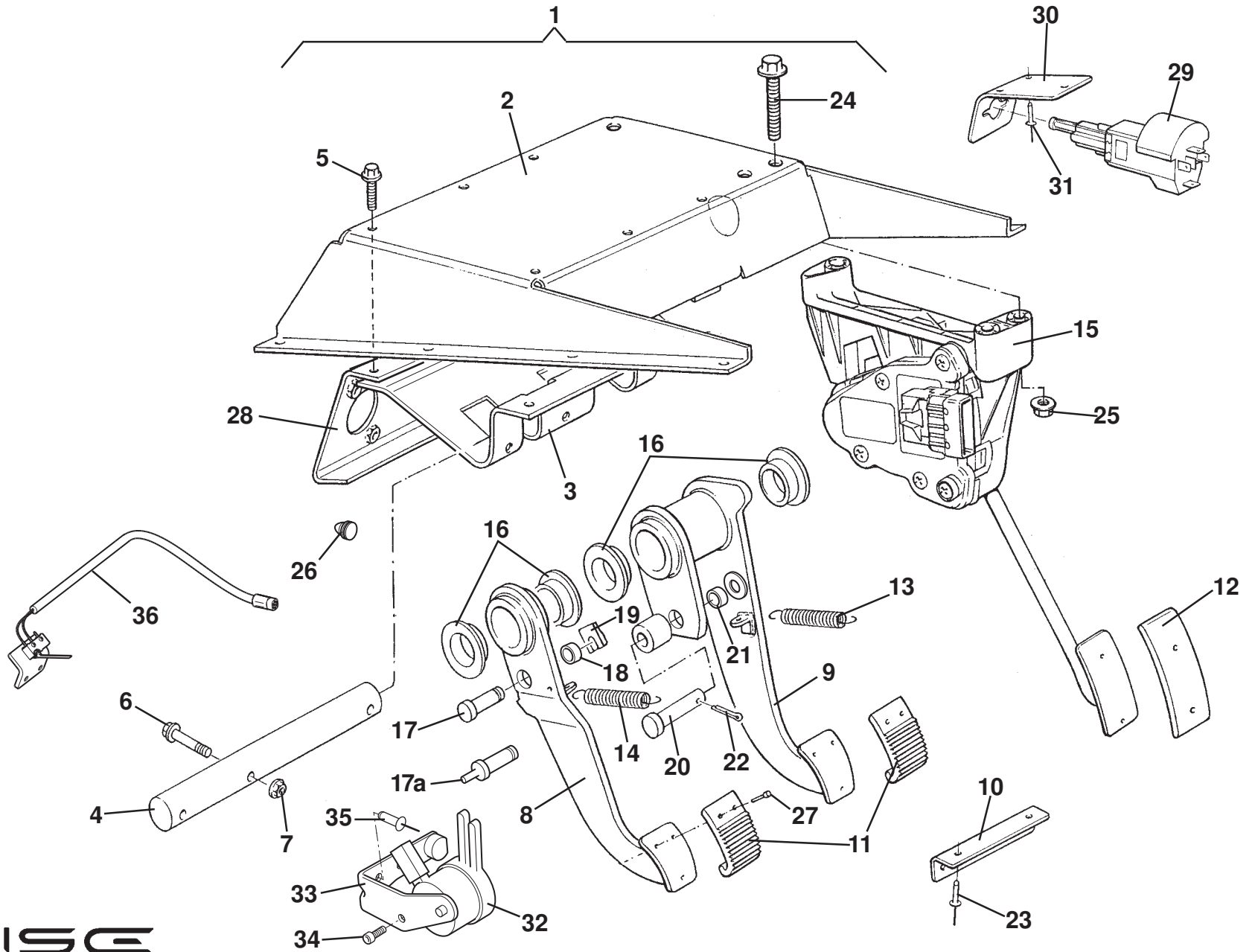
ELISE

Function Code: 14.01, Page: 2

Updated 1st December 2014

Function Code 14.01 Pedal Box, Pedals, Throttle Control

<u>Dep</u>	<u>Part Description</u>	<u>Remarks</u>	<u>Option</u>	<u>Part Number</u>	<u>Qty</u>
38	Spring, throttle pedal return			A117J6010F	1
39	Spring, brake pedal return			A120J6006F	1
40	Spring, clutch pedal return			A120J6006F	1
41	Rivet, pedal pad			A075W6068Z	4
42	Bolt, bracket			A120E6359S	2
43	Pop Rivet, bracket to chassis			A075W6068Z	2
44	Brake Light Switch			A116J6034F	1
45	Bracket, switch to chassis			A116J0072K	1
46	Pop Rivet, bracket to chassis			A075W6068Z	3
47	Bracket, clutch/brake return springs to chassis			D116Q0014F	1
48	Swivel clip,throttle cable	Not illustrated	Aftersales fitted supercharger	A082W6324F	1
49	Swivel clip,alternator spacer top mount,item 49	Not illustrated	Aftersales fitted supercharger	A082W6337F	1



ELISE
14.01a

Updated 1st December 2014

Service Parts List **ELISE**



Function Code 14.01a Pedal Box, Pedals, Electronic Throttle Control

<u>Dep</u>	<u>Part Description</u>	<u>Remarks</u>	<u>Option</u>	<u>Part Number</u>	<u>Qty</u>
01	Pedal Box Assembly, RHD	No clutch interlock, Incl. servo/master cyl.	Except Canada	A120J0012F	1
01a	Pedal Box Assembly, LHD	No clutch interlock, Incl. servo/master cyl.	Except Canada	A120J0011F	1
01b	Pedal Box Assembly, modified, LHD	Clutch pedal interlock, Incl. servo/master cyl.	Canada only	A120J0018K	1
01c	Pedal Box Assembly, RHD	Incl. servo/master cyl.	Elise 2011 MY	A120J0068J	1
01d	Pedal Box Assembly, LHD	Incl. servo/master cyl.	Elise 2011 MY	A120J0069J	1
02	Pedal Box			A116J0066H	1
03	Pedal shaft Support			A116J0042H	1
04	Shaft, pedal pivot			A116J0043H	1
05	Screw, M5 x 16, flg. hd.			A132J6025H	5
06	Bolt, M5 x 30 flg. hd.			A120J6017H	3
07	Flange Nut, M5			A130W3007H	3
08	Clutch Pedal	Does not include item 18		A120Q0006H	1
09	Brake Pedal			A120J0015H	1
10	Bracket, return springs to chassis			D116Q0014F	1
11	Pedal Pad, alloy, brake & clutch			A120J0014H	2
12	Pedal Pad, alloy, throttle			A120J0013H	1
13	Spring, brake pedal return			A120J6006F	1

ELISE

Function Code: 14.01a, Page: 1

Updated 3rd January 2017

Function Code 14.01a Pedal Box, Pedals, Electronic Throttle Control

<u>Dep</u>	<u>Part Description</u>	<u>Remarks</u>	<u>Option</u>	<u>Part Number</u>	<u>Qty</u>
14	Spring, clutch pedal return			A120J6006F	1
15	Electronic Throttle Assembly			A116J0003L	1
16	Bearing, pedal pivots			A111J6018F	5
17	Clevis Pin, clutch pedal to pushrod			A116Q6005H	1
17a	Clevis Pin, clutch pedal to pushrod, with integral pin	For cruise control	Elise 2011 MY	A120Q0008H	1
18	Clevis Pin Bearing, pin to clutch pedal			A116Q6004H	1
19	Clip, clevis pin retention			A116Q6006H	1
20	Clevis Pin, brake pedal to pushrod			A116J6023H	1
21	Spacer, pin to brake pedal			A116J6022H	1
22	Split Pin, clevis pin retention			A116J6024H	1
23	Pop Rivet, return spring bracket to chassis			A075W6068Z	2
24	Screw, M8 x 40, flg. hd.			A130W2034H	3
25	Flange Nut, M8			A130W3009H	3
26	Rubber Buffer, pedal box			A120J6009S	2
27	Rivet, pedal pads			A075W6094Z	6
28	Brake TMC Plate			A116J0041H	1
29	Brake Light Switch			A116J6034F	1
30	Bracket, switch to chassis			A120J0119F	1
31	Pop Rivet, return spring bracket to chassis			A075W6068Z	2
32	Potentiometer, clutch	For cruise control	Elise 2011 MY	A132J0107H	1
33	Bracket/Stop Assembly, potentiometer mounting	For cruise control	Elise 2011 MY	A120Q0012F	1

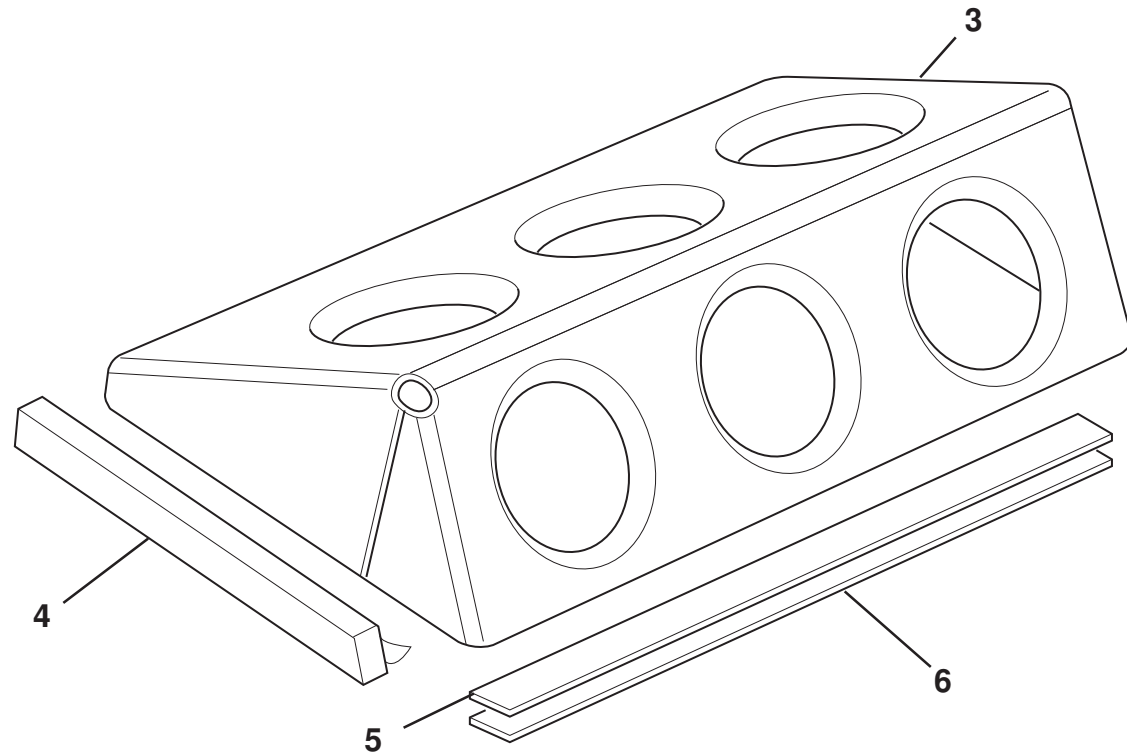
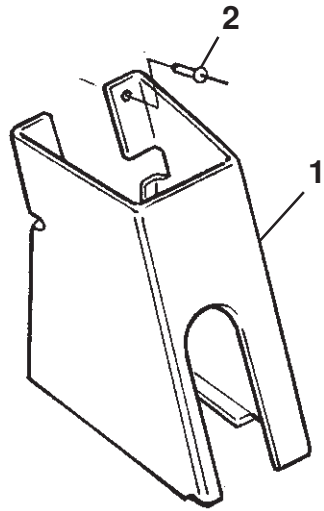
ELISE

Function Code: 14.01a, Page: 2

Updated 3rd January 2017

Function Code 14.01a Pedal Box, Pedals, Electronic Throttle Control

<u>Dep</u>	<u>Part Description</u>	<u>Remarks</u>	<u>Option</u>	<u>Part Number</u>	<u>Qty</u>
34	Screw, M4 x 10, cap hd., potentiometer to bracket	For cruise control	Elise 2011 MY	A126W5320F	1
35	Pop Rivet, bracket to pedal box	For cruise control	Elise 2011 MY	A132W6024F	2
36	Switch & Bracket Assembly	See Service Bulletin 2007/13a	Canada	C121M0034F	1



ELISE
14.03

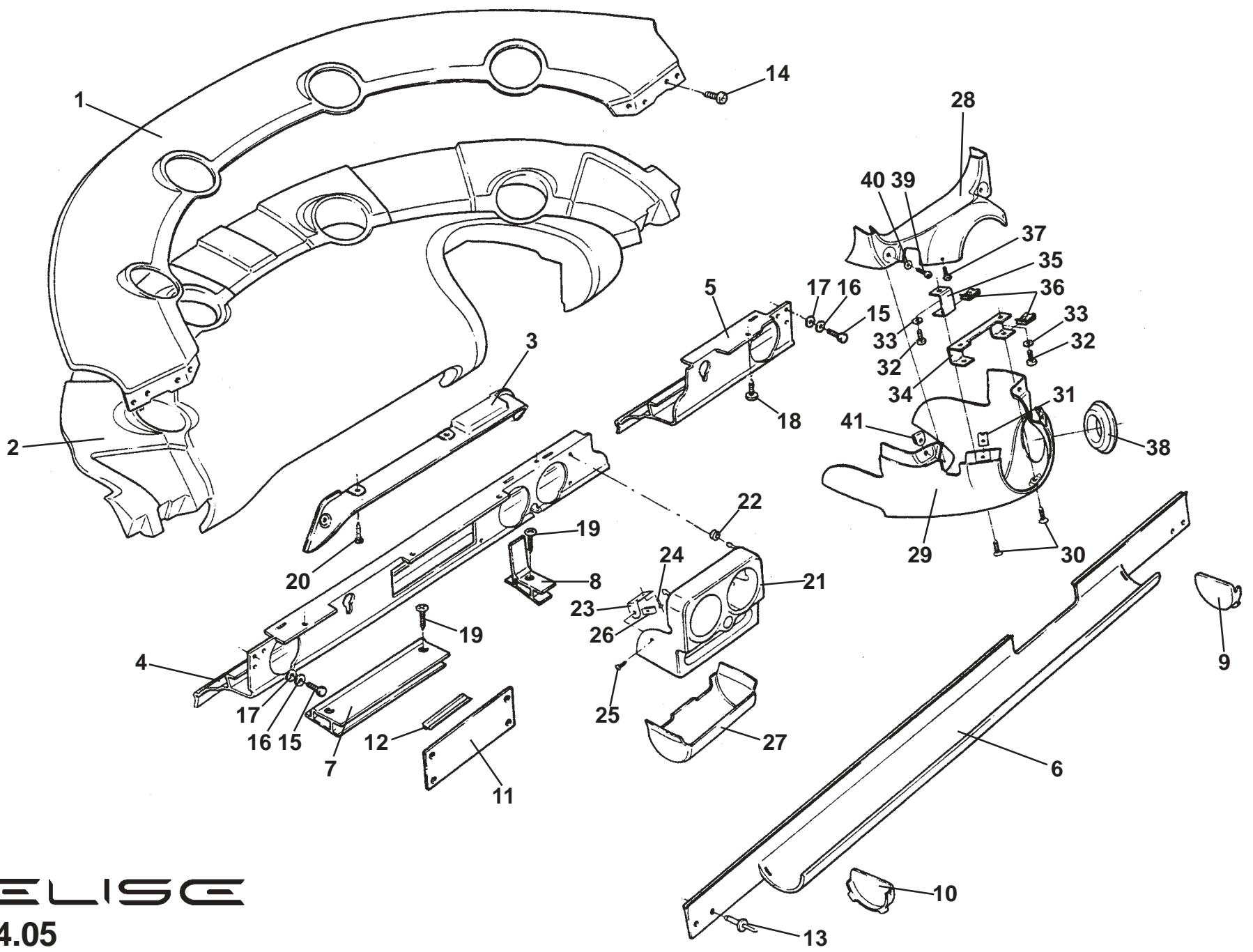
Updated 1st December 2014

Service Parts List **ELISE**



Function Code 14.03 Footrests

<u>Dep</u>	<u>Part Description</u>	<u>Remarks</u>	<u>Option</u>	<u>Part Number</u>	<u>Qty</u>
01	Driver Footrest, RHD			C120U0007F	1
01a	Driver Footrest, LHD			A111A0104F	1
02	Pop Rivet, footrest RHD to chassis			A111W6613F	4
03	Passenger Footrest RHD			A120U0008F	1
03a	Passenger Footrest Assembly, LHD			B111A0102J	1
03b	Passenger Double Footrest Assembly, LHD			A117U0075F	1
03c	Passenger Double Footrest Assembly, RHD			A117U0076F	1
04	Foam Seal, 25 x 12.5			A082U6065V	1.0M
05	Grip-Lok, self adhesive, hook			A111V6020V	1.0M
06	Grip-Lok, self adhesive, loop			A111V6019V	1.0M



ELISE
14.05

Function Code 14.05 Fascia Structure & Supporting Hardware

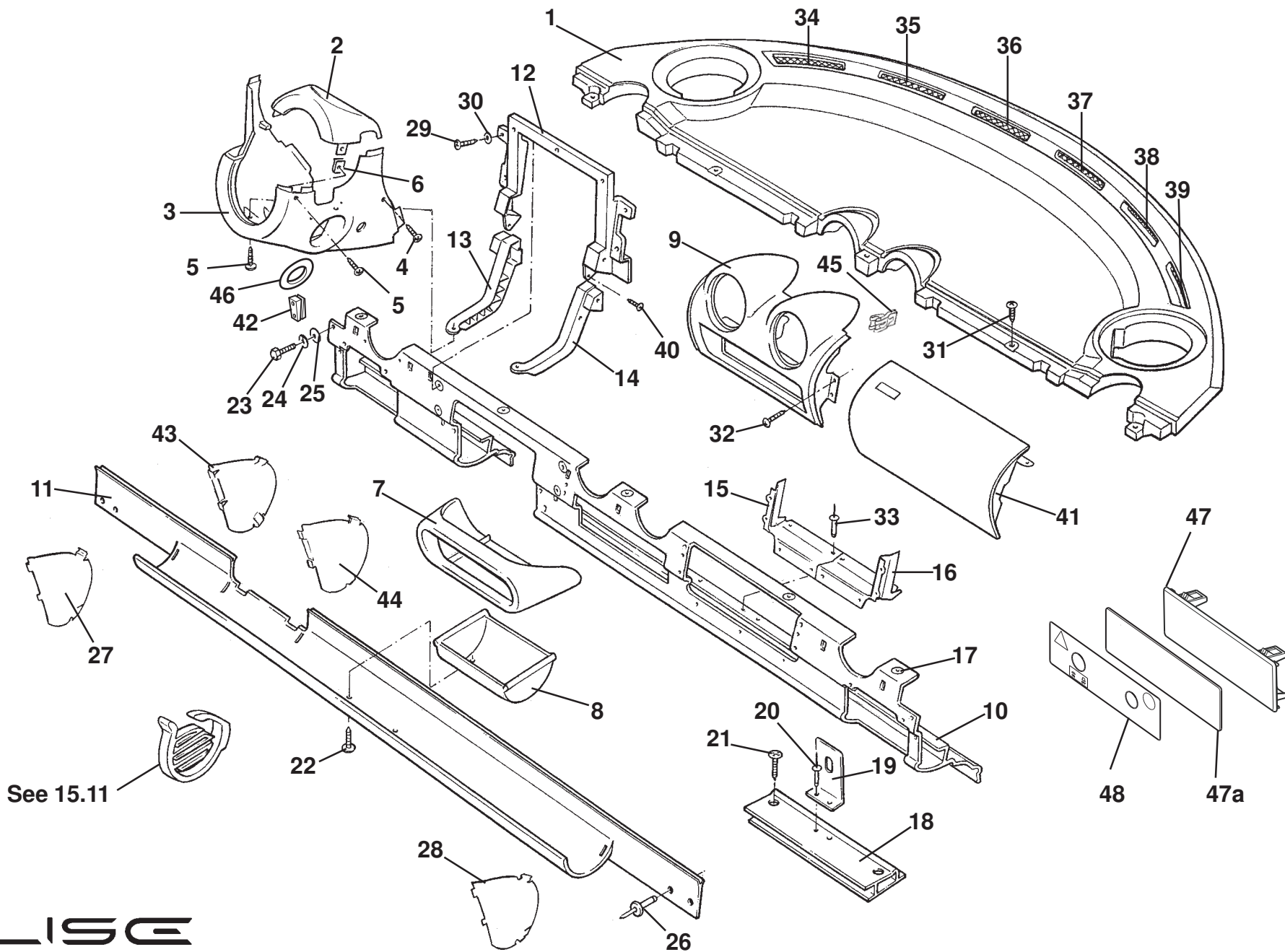
<u>Dep</u>	<u>Part Description</u>	<u>Remarks</u>	<u>Option</u>	<u>Part Number</u>	<u>Qty</u>
01	Capping Panel, fascia top			A117U0014F	1
02	Fascia Top Panel, grey synthetic leather, RHD			A117U0303J	1
02b	Fascia Top Panel, grey synthetic leather, LHD			A117U0306J	1
03	Trim Panel, FLV recess, RHD			A117U0300F	1
03a	Trim Panel, FLV recess, LHD			A117U0299F	1
04	Dash Panel Upper, passenger, RHD	With aperures for FLV adaptors		A117U0294F	1
04a	Dash Panel Upper, passenger, LHD	With aperures for FLV adaptors		A117U0293F	1
05	Dash Panel Upper, driver, RHD	With aperure for FLV adaptor		B117U0292F	1
05a	Dash Panel Upper, driver, LHD	With aperure for FLV adaptor		B117U0291F	1
06	Dash Panel Lower/Stowage Shelf, RHD			D117U0032F	1
06a	Dash Panel Lower/Stowage Shelf, LHD			D117U0031F	1
06b	Foam Seal, self adhesive, radio supporting	Cut to fit		A082U6067F	2.1M
07	Bracket, dash support, passenger's side			B117U0022F	1
08	Bracket, dash suport, driver's side			A116U0096F	1
09	Closing Panel, stowage shelf, RH			B117U0028F	1
10	Closing Panel, stowage shelf, LH			B117U0027F	1
11	Blanking Panel, radio aperture			A100V6070F	1
12	Edging Strip, radio protection	Fitted to item 7, cut to fit		B075U6054V	As req.
13	Pop Rivet, dash panel lower to chassis			A085W6259F	4
14	Screw, No.6 x 3/4", flg hd., pozi. black, capping panel fix.			A075W5028Z	4
15	Screw, M6 x 16, hex. hd., panel to chassis			A075W1028Z	4

Function Code 14.05 Fascia Structure & Supporting Hardware

<u>Dep</u>	<u>Part Description</u>	<u>Remarks</u>	<u>Option</u>	<u>Part Number</u>	<u>Qty</u>
16	Washer, spring, M6, panel to chassis			A075W4035Z	4
17	Washer, flat, M6 x 12.1 x 1.4, panel to chassis			A075W4013F	4
18	Screw, self tap., No.8 x 3/4", panel fix.			A075W5074Z	4
19	Screw, self tap., No. 10 x 1/2", extrusion to chassis			A075W5040Z	4
20	Screw, No.6 x 3/4", flg hd., pozi. black, trim panel fix.			A075W5028Z	2
21	Mounting Panel, FLV & AC switches			A117P0062F	1
22	Grommet, mounting panel spigots to dash panrl			A117W6713F	2
23	Bracket, mounting panel to dash			B117P0081F	2
24	Pop Rivet, bracket to dash panel			A111W6613F	4
25	Screw, No.8 x 3/4", flg. hd. pozi., panel to bracket			A075W5074Z	2
26	Spirenut, mounting panel to bracket			A075W6172F	2
27	Closing Panel, mounting panel to shelf			A117P0061F	1
28	Column Shroud, upper			C117U0024F	1
29	Column Shroud, lower			C117U0025F	1
30	Screw, No. 10 x 1/2", pan pozi. hd., shroud to brackets			A075W5040Z	3
31	Spire Nut			A075W5014Z	2
32	Screw, M5 x 30, pan hd. pozi., brackets to column			A082W5142F	3
33	Washer, flat, M5 x 10			A075W4011Z	3
34	Bracket. shroud to column front			A111U0127F	1
35	Bracket, shroud to column rear			A111U0128F	1
36	Spirenut, No.6			A079W6024F	3

Function Code 14.05 Fascia Structure & Supporting Hardware

<u>Dep</u>	<u>Part Description</u>	<u>Remarks</u>	<u>Option</u>	<u>Part Number</u>	<u>Qty</u>
37	Screw, No.6 x 0.5", button hd., lower to upper shroud			A075W5012F	2
38	Finisher Ring, steering lock to shroud			A100V6061F	2
39	Screw, Ejot 1452K 50 x 18, black, shroud lower to upper		A117W6001F R/B	A117W5277F	2
40	Washer, flat, M4 x 9 x 0.8			A082W4136F	2
41	Easy Fastener, ejot			A117F6000F	2



ELISE
14.05b

Updated 3rd January 2017

Service Parts List **ELISE**



Function Code 14.05b Fascia Structure & Supporting Hardware, Twin Airbag

<u>Dep</u>	<u>Part Description</u>	<u>Remarks</u>	<u>Option</u>	<u>Part Number</u>	<u>Qty</u>
01	Fascia Top Panel			B121U0017F	1
01b	Fascia Top Panel, carbon fibre		Exige Cup 260 '09 MY	A128B0122F	1
02	Column Cowl, upper		Prior to '08 MY	A121U0038F	1
02a	Column Cowl, upper, senosoft charcoal		'08 MY onwards	A121U0173F	1
02b	Column Cowl, upper, microfibre black		Cup 260	A128B0105K	1
03	Column Cowl, lower		Prior to '08 MY	B121U0074F	1
03a	Column Cowl, lower, senosoft, charcoal		'08 MY onwards	A121U0172F	1
03b	Column Cowl, lower, senosoft, charcoal	Variable TC switch aperture	'08 MY option	A121U0184K	1
03c	Column Cowl, lower, microfibre black		Exige Cup 260	A128B0106K	1
04	Screw, self tap., No. 8 x 3/4", lower cowl to bracket			A075W5074Z	2
05	Screw, self tap., No. 6 x 0.5", lower to upper cowl			A075W5020Z	4
06	Spirenut, No. 8, lower to upper cowl			A075W6016Z	2
07	Panel, heater control mounting, silver grey		Prior to '08 MY	C121U0032F	1
07a	Panel, heater control mounting, senosoft, charcoal		'08 MY onwards	A120U0117F	1
07b	Panel, heater control mounting, microfibre	Black stitching		A121V0015S	1
07c	Panel, heater control mounting, microfibre	Beige stitching		A121V0028S	1
07d	Panel, heater control mounting, leather	Black stitching		A121V0016S	1
07e	Panel, heater control mounting, leather	Beige stitching		A121V0029S	1

ELISE

Function Code: 14.05b, Page: 1

Updated 3rd January 2017

Function Code 14.05b Fascia Structure & Supporting Hardware, Twin Airbag

<u>Dep</u>	<u>Part Description</u>	<u>Remarks</u>	<u>Option</u>	<u>Part Number</u>	<u>Qty</u>
08	Support, heater control panel mounting			A121U0071F	1
08a	Panel, heater control mounting, senosoft, charcoal		Optional	A120U0156K	1
09	Mounting Assembly, centre FLV		Prior to '08 MY	D121U0062F	1
09a	Mounting Assembly, centre FLV, senosoft, charcoal		'08 MY onwards	A121U0182F	1
09b	Mounting Assembly, centre FLV, microfibre black		Exige Cup 260	A128B0104K	1
10	Dash Panel Upper, LHD			E121U0041F	1
10a	Dash Panel Upper, RHD		Euro option	D121U0042F	1
10b	Dash Panel Upper, carbon grey, LHD		Elise Club Racer '10 MY	A120U4057F	1
10c	Dash Panel Upper, carbon grey, RHD		Elise Club Racer '10 MY	A120U4058F	1
11	Dash Panel Lower/Stowage Shelf, LHD			B121U0115F	1
11a	Dash Panel Lower/Stowage Shelf, RHD		Euro option	B121U0116F	1
11b	Dash Panel Lower/Stowage Shelf, carbon grey, LHD		Elise Club Racer '10 MY	A121U0191F	1
11c	Dash Panel Lower/Stowage Shelf, carbon grey, RHD		Elise Club Racer '10 MY	A121U0190F	1
12	Bracket, instrument pack mounting			C121U0101F	1
13	Mounting Bracket, column shroud, LH			B121U0087F	1
14	Mounting Bracket, column shroud, RH			A121U0088F	1
15	Chute, PAB aperture, LH		A121U0141K R/B	B121U0141K	1
16	Chute, PAB aperture, RH		A121U0142K R/B	B121U0142K	1
17	Captive Plastic Nut			A120W3186F	16
18	Radio Support Extrusion			A121U0081F	1
19	Bracket, radio support, rear			B121U00100F	1

ELISE

Function Code: 14.05b, Page: 2

Updated 3rd January 2017

Function Code 14.05b Fascia Structure & Supporting Hardware, Twin Airbag

<u>Dep</u>	<u>Part Description</u>	<u>Remarks</u>	<u>Option</u>	<u>Part Number</u>	<u>Qty</u>
20	Pop Rivet, bracket to extrusion			A100W6397F	2
21	Screw, No. 10 x 1/2", extrusion to chassis			A075W5040Z	2
22	Screw, No. 10 x 1/2", support to panel			A075W5040Z	2
23	Screw, M6 x 25, hex. hd., dash panel upper to body			A075W1031F	4
24	Washer, spring, M6, dash panel upper to body			A075W4035Z	4
25	Washer, flat, M6 x 12.1 x 1.4, dash panel upper to body			A075W4013F	4
26	Pop Rivet, dash panel lower to chassis			A085W6259F	4
27	Closing Panel, stowage shelf, LH			A121U0051F	1
28	Closing Panel, stowage shelf, RH			A121U0052F	1
29	Screw, self tap., No. 8 x 3/4", bracket fixing			A075W5074Z	4
30	Washer, M6 x 12.1 x 1.4, bracket fixing			A075W4013F	4
31	Screw, self tap., No. 8 x 3/4", top panel fixing			A075W5074Z	4
32	Screw, self tap., No. 8 x 3/4", mount FLV fixing			A075W5074Z	3
33	Pop Rivet, domed, black, chute to panel			A082W6512F	12
34	Grille, demist, LH outer			A121U0125H	1
35	Grille, demist, LH inner			A121U0127H	1
36	Grille, demist, LH centre			A121U0129H	1
37	Grille, demist, RH centre			A121U0130H	1
38	Grille, demist, RH inner			A121U0128H	1
39	Grille, demist, RH outer			A121U0126H	1
40	Screw, self tap., No. 8 x 3/4", shroud brackets fixing			A075W5074Z	2

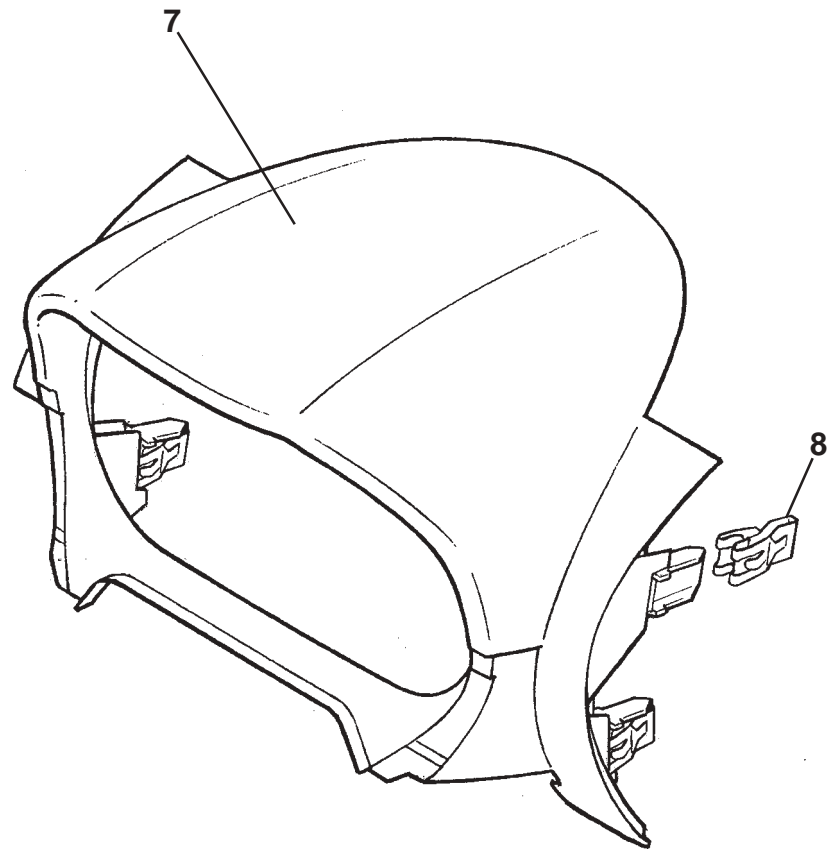
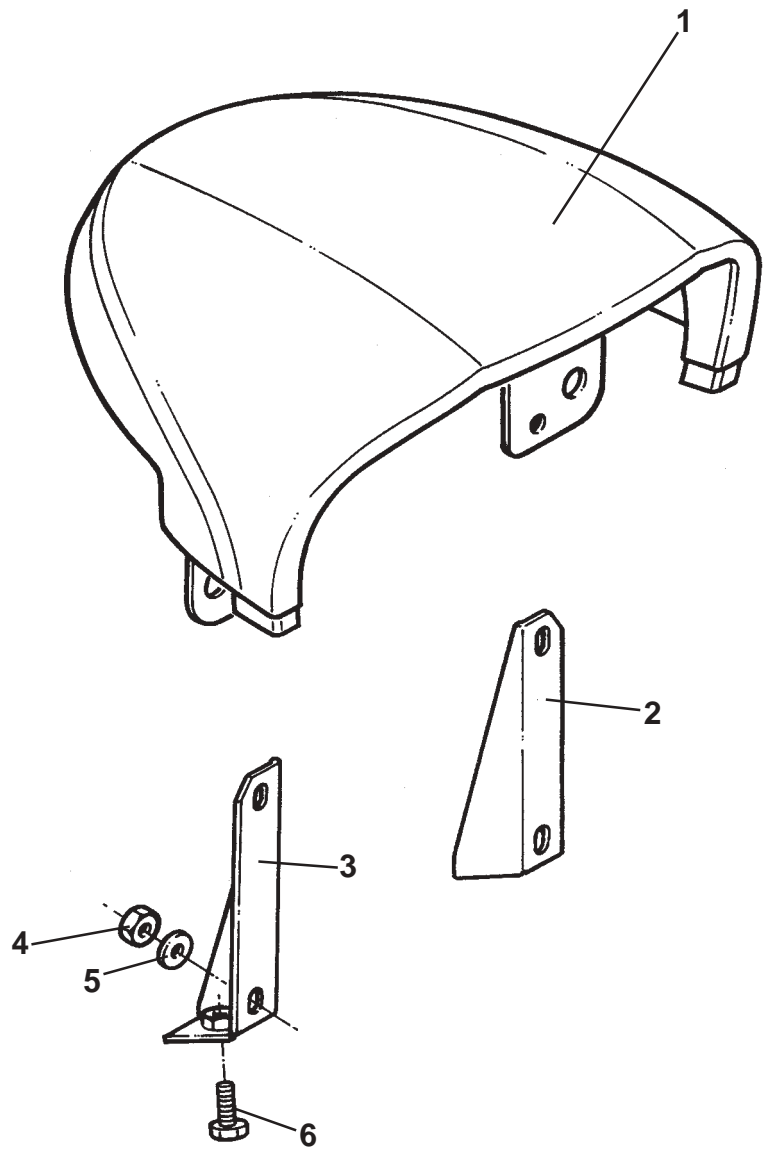
ELISE

Function Code: 14.05b, Page: 3

Updated 3rd January 2017

Function Code 14.05b Fascia Structure & Supporting Hardware, Twin Airbag

<u>Dep</u>	<u>Part Description</u>	<u>Remarks</u>	<u>Option</u>	<u>Part Number</u>	<u>Qty</u>
41	Cover Assembly, passenger airbag	Also see 17.06b	Prior to '08 MY	C121U0019F	1
41a	Cover Assembly, passenger airbag, senosoft, charcoal	Also see 17.06b	'08 MY onwards	A121U0176F	1
41b	Cover Assembly, passenger airbag, black microfibre	Also see 17.06b	Exige Cup 260	A128B0103K	1
42	Insert, dash panel to body, LH			A121U0103F	1
42a	Insert, dash panel to body, RH			A121U0104F	1
43	Closing Panel, column cowl, LH		Prior to '08 MY	A121U0107F	1
43a	Closing Panel, column cowl, senosoft, charcoal, LH		'08 MY onwards	A121U0174F	1
44	Closing Panel, column cowl, RH		Prior to '08 MY	A121U0108F	1
44a	Closing Panel, column cowl, senosoft, charcoal, RH		'08 MY onwards	A121U0175F	1
45	Clip, FLV centre panel retention			A121U0156S	1
46	Grommet, ignition barrell to column shrouds			B100V6061F	1
47	Radio Blanking Plate	Painted black		A120V0588K	1
47a	Radio Blanking Plate			A100V6070F	1
48	Cover Panel, emergency switches		Exige Cup 260	A128B0051F	1



ELISE
14.10

Service Parts List **ELISE**



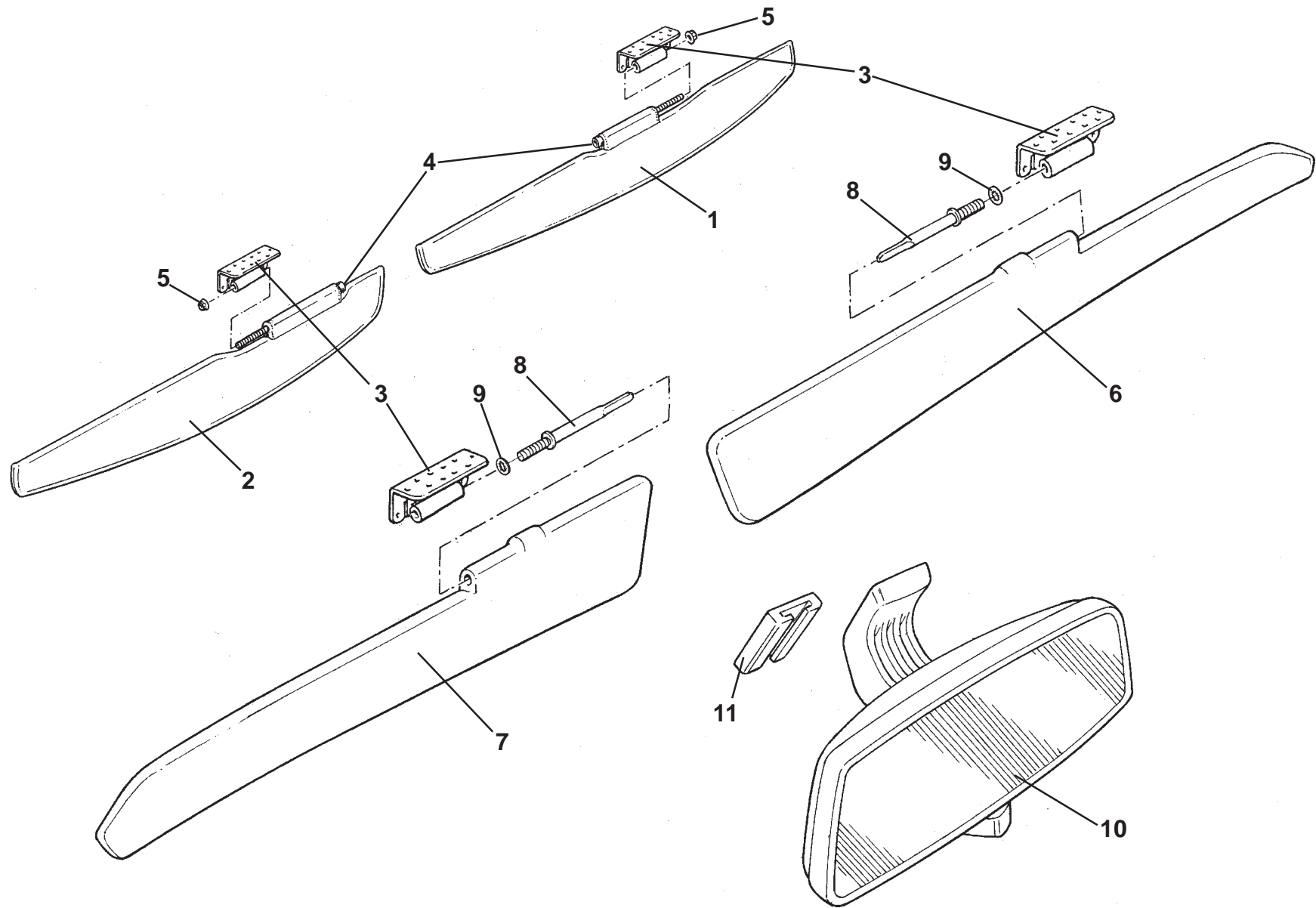
Function Code 14.10 Instrument Cowling/Binnacle

<u>Dep</u>	<u>Part Description</u>	<u>Remarks</u>	<u>Option</u>	<u>Part Number</u>	<u>Qty</u>
01	Instrument Cowling		Elise	C117U0040F	1
01a	Instrument Cowling, grey glove	Black stitching	Exige option	A122U0032K	1
01b	Instrument Cowling, grey glove	Beige stitching		A122V0072S	1
02	Bracket, instrument mounting, RH			C111U0156F	1
03	Bracket, instrument mounting, LH			C111U0155F	1
04	Nut, M4	Instrument pack to brackets		A075W3019F	4
05	Washer, flat, M4 x 9 x 0.8	Instrument pack to brackets		A082W4099F	4
06	Screw, M6 x 15, hex. hd.	Brackets to dash		A100A6024F	2
07	Instrument Cowling, airbag	C121U0030F R/B	Airbag cars, prior to '08 MY	D121U0030F	1
07a	Instrument Cowling, airbag, senosoft, charcoal		Airbag cars, '08 MY onwards	A121U0181F	1
07b	Instrument Cowling, airbag, microfibre	Black stitching		A120V0362S	1
07c	Instrument Cowling, airbag, microfibre	Beige stitching		A120V0447S	1
07d	Instrument Cowling, airbag, leather	Black stitching		A120V0363S	1
07e	Instrument Cowling, airbag, leather	Beige stitching		A120V0446S	1
08	Clip, cowling retention	Also for FLV panels (five clips total)	Airbag cars	A121U0156S	4

ELISE

Function Code: 14.10, Page: 1

Updated 3rd January 2017



ELISE
15.05

Service Parts List **ELISE**



Function Code 15.05 Interior Driving Mirror & Sunvisors

<u>Dep</u>	<u>Part Description</u>	<u>Remarks</u>	<u>Option</u>	<u>Part Number</u>	<u>Qty</u>
01	Sun Visor, driver, RHD, cloth	Includes screw, item 4		A117V0516J	1
01a	Sun Visor, driver, LHD, cloth	Includes screw, item 4		A117V0518J	1
02	Sun Visor, passenger, RHD, cloth	Includes screw, item 4		A117V0517J	1
02a	Sun Visor, passenger, LHD, cloth	Includes screw, item 4		A117V0519J	1
03	Bracket, visor to header rail			B117U0419F	2
04	Screw, M8 x 100, cap hd., visor to bracket			A117W7210F	2
05	Nut, M8, Kaylock, visor to bracket			A100C6022F	2
06	Sun Visor, driver, RHD, leather			A117V0710J	1
06a	Sun Visor, driver, LHD, leather			A117V0711J	1
07	Sun Visor, passenger, RHD, leather			A117V0712J	1
07a	Sun Visor, passenger, LHD, leather			A117V0713J	1
08	Pivot Pin, M8, sun visor			A117U0468F	2
09	Washer, M8, shakeproof, pin to bracket			A075W4048Z	2
10	Mirror, interior rear view, 26 cm wide	Use plinth item 11	Prior to '07 MY	A117U6016F	1
10a	Mirror, interior rear view, 22 cm wide	Use plinth item 11a	'07 MY	A120U6009F	1
11	Mounting Plinth, interior mirror	For mirror item 10	Prior to '07 MY	A116U0204F	1
11a	Mounting Plinth, interior mirror	For mirror item 10a	'07 MY	A120U6010F	1
12	Adhesive Kit, mirror mounting plinth	Not illustrated		A116U0194F	1

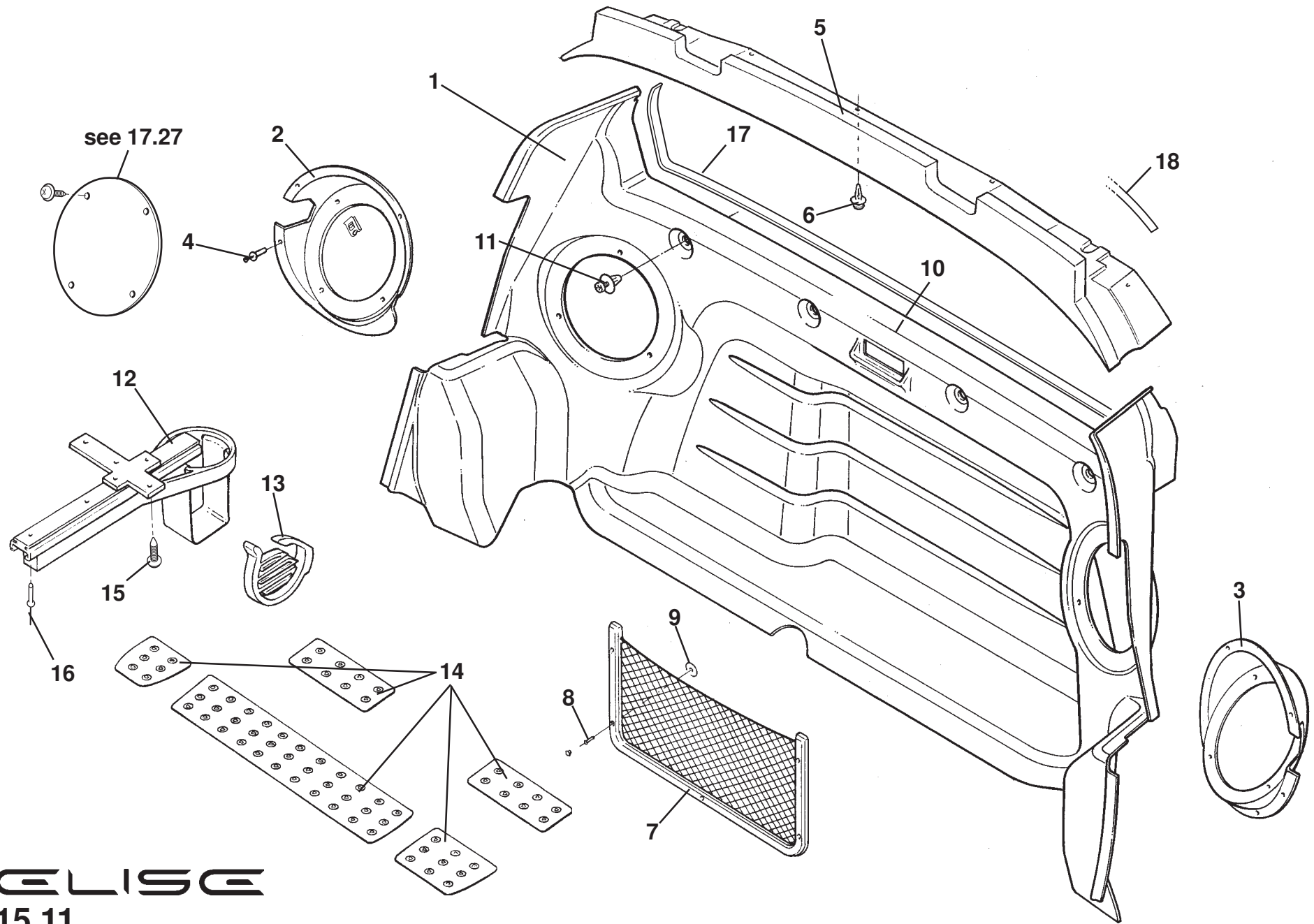
ELISE

Function Code: 15.05, Page: 1

Updated 1st May 2013

Function Code 15.05 Interior Driving Mirror & Sunvisors

<u>Dep</u>	<u>Part Description</u>	<u>Remarks</u>	<u>Option</u>	<u>Part Number</u>	<u>Qty</u>
13	Betaclean 3900, glass preparation	Not illustrated		A100B6008V	1



see 17.27

ELISE
15.11

Updated 12th May 2013

Service Parts List **ELISE**



Function Code 15.11 Interior Trim & Stowage Provision

<u>Dep</u>	<u>Part Description</u>	<u>Remarks</u>	<u>Option</u>	<u>Part Number</u>	<u>Qty</u>
01	Rear Bulkhead Trim Panel, speakers	Blanking panel for non speaker	Elise, B120U0011K R/B	D120U0011K	1
01a	Rear Bulkhead Trim Panel, speakers, RHD		Exige	C122V0024K	1
01b	Rear Bulkhead Trim Panel, speakers, LHD		Exige	C122V0025K	1
01c	Rear Bulkhead Trim Panel, speakers, RHD	For harness bar (requires fettling as required) *If retrofit also order items 2-4	Exige Motorsport, A122U0066K R/B	B122U0019F	1
01d	Rear Bulkhead Trim Panel, speakers, LHD	For harness bar (requires fettling as required) *If retrofit also order items 2-4	Exige Motorsport, A122U0065K R/B	B122U0019F	1
01f	Rear Bulkhead Trim Panel, secondary A/C unit		Gulf States	A120U0127J	1
01g	Rear Bulkhead Trim Panel, secondary A/C unit		Gulf States, X bar option	A120U0134K	1
01h	Rear Bulkhead Trim Panel (black brushed nylon)			A120V0364S	1
02	Panel, speaker mounting, RH		Exige Motorsport	B122U0020K	1
03	Panel, speaker mounting, LH		Exige Motorsport	B122U0021K	1
04	Pop Rivet, black plastic, speaker panel fixing		Exige Motorsport	A082W6528F	10
05	Trim Panel, rear header rail		A121U0111F R/B	B121U0111F	1
06	Plastic Fastener, trim panel fixing			A100W6481F	5
07	Stowage Net Assembly	Includes finisher plugs		A117U6011F	1
08	Pop Rivet, net to panel			A082W6512F	5
09	Washer, flat, 1/8" x 0.75", net to panel			A075W4001Z	5

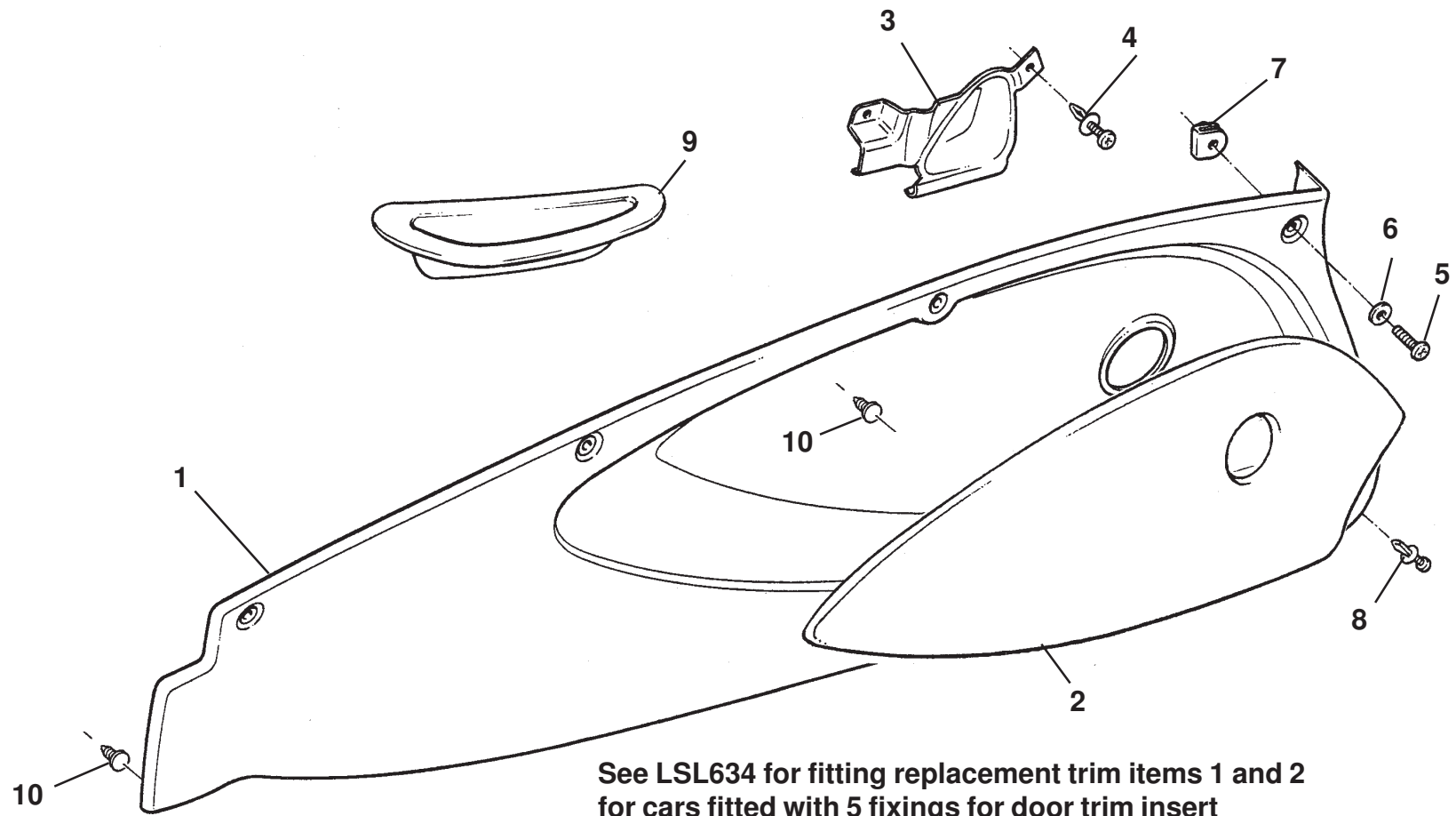
ELISE

Function Code: 15.11, Page: 1

Updated 3rd January 2017

Function Code 15.11 Interior Trim & Stowage Provision

<u>Dep</u>	<u>Part Description</u>	<u>Remarks</u>	<u>Option</u>	<u>Part Number</u>	<u>Qty</u>
10	Reinforcing Panel, panel rear			A117U0164F	1
11	Plastic Fastener, trim panel fixing			A100W6391F	6
12	Cup Holder Assembly		Optional	A120U0065J	1
13	Divider, stowage tray		Optional	A120U0060F	2
14	Stowage Tray Mat Set, RHD,lotus logo		Optional	A120V0240F	1
14a	Stowage Tray Mat Set, LHD,lotus logo		Optional	A120V0241F	1
14b	Stowage Tray Mat Set, LHD, no logo	Can be reversed to use for RHD		A120V0541F	1
15	Screw, M4 x 12, pan pozi., cup holder to chassis		Optional	A075W5132F	2
16	Pop Rivet, cup holder to chassis		Optional	A075W6068Z	1
17	Edge Finisher			A111U6034V	1.1m
18	Anti Squeak Tape			A132V6050V	1.8m



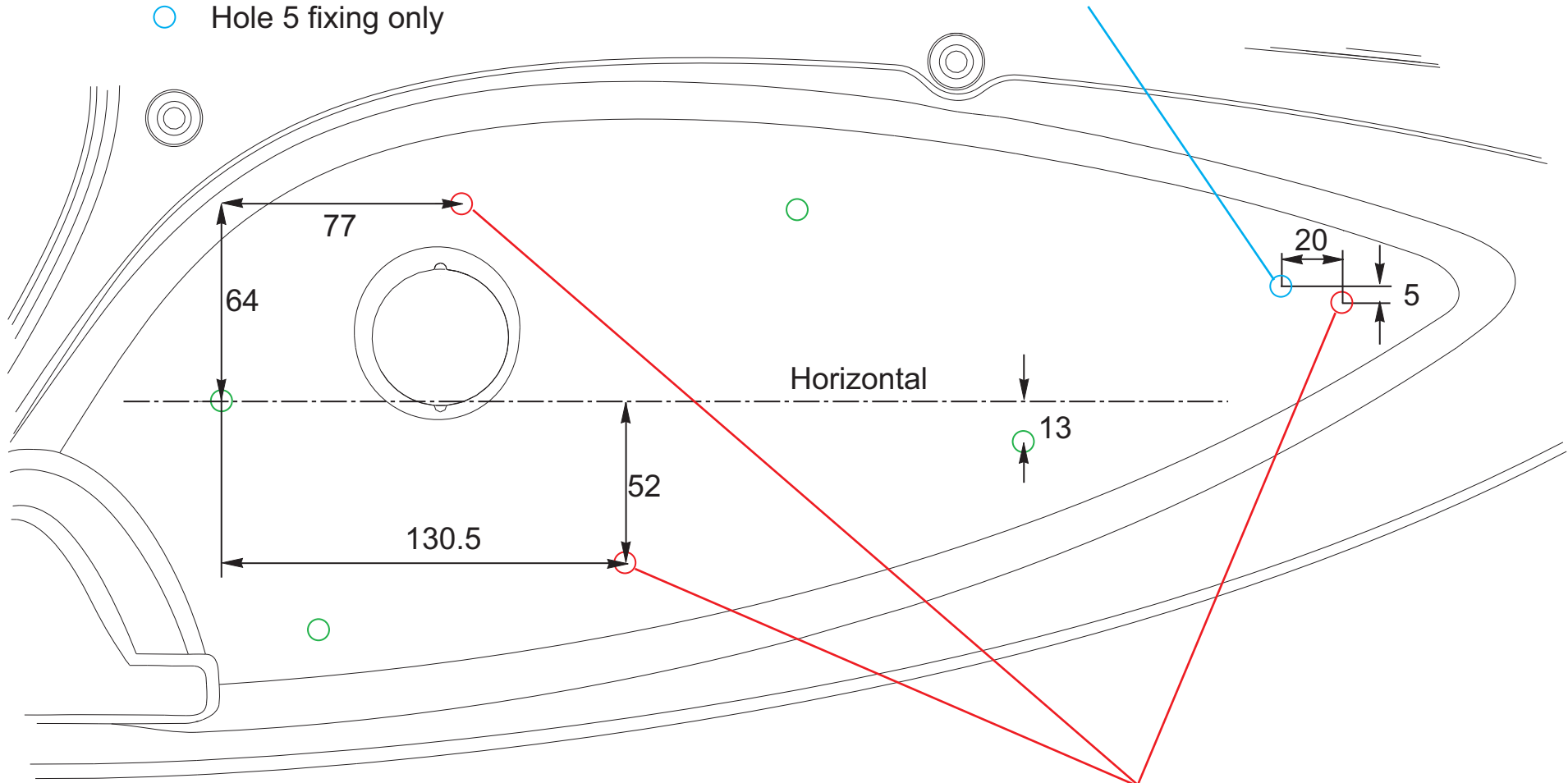
ELISE
15.13

Updated 3rd January 2017

Modifications to door trim to retro fit 5 and 7 fixing door trim inserts all replacement door and insert trims supplied are for 7 fixings

- Holes common for 5 and 7 fixing
- Holes 7 fixing only
- Hole 5 fixing only

Add this hole to fit insert with 5 fixings to door trim with 7 holes

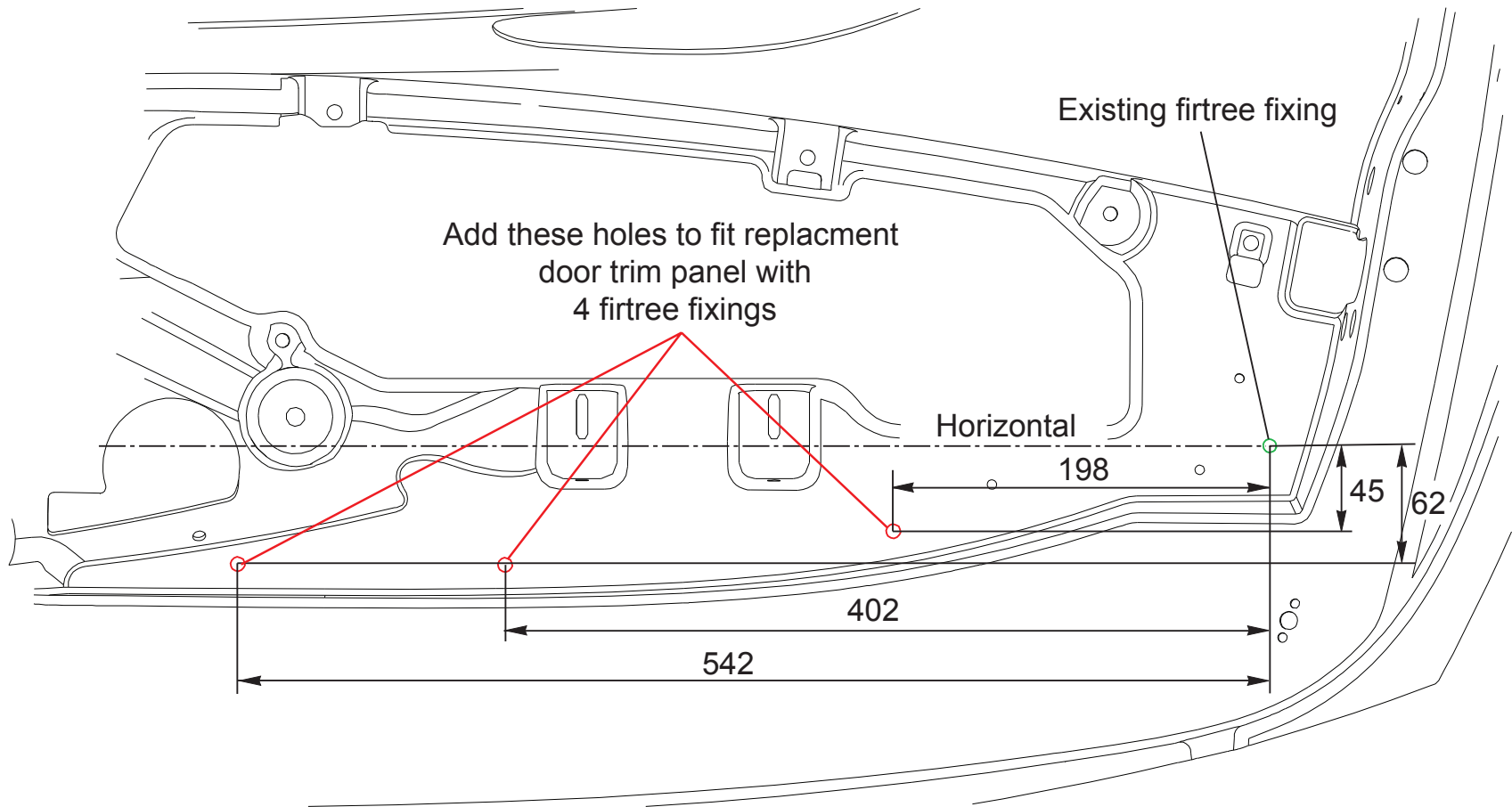


Add these holes to fit insert with 7 fixings to door trim with 5 holes

All dimensions in millimetres

Updated 3rd November 2014

Modifications to door with single firtree fixing for the door trim panel
to retro fit door trim with extra firtree fixings
all replacement door trim panels supplied are with 4 firtree fixings



All dimensions in millimetres

Service Parts List **ELISE**



Function Code 15.13 Front Door Trims

<u>Dep</u>	<u>Part Description</u>	<u>Remarks</u>	<u>Option</u>	<u>Part Number</u>	<u>Qty</u>
01	Door Trim Panel, silver, LH			A117U0327F	1
01a	Door Trim Panel, silver, RH			A117U0328F	1
01b	Door Trim Panel, black alcantara, LH			B117U0363J	1
01c	Door Trim Panel, black alcantara, RH			B117U0362J	1
01d	Door Trim Panel, black microfibre, LH			B117U0475J	1
01e	Door Trim Panel, black microfibre, RH			B117U0472J	1
01f	Door Trim Panel, red alcantara, LH			C117U0365J	1
01g	Door Trim Panel, red alcantara, RH			C117U0364J	1
01h	Door Trim Panel, blue alcantara, LH			C117U0393J	1
01i	Door Trim Panel, blue alcantara, RH			C117U0392J	1
01j	Door Trim Panel, silver alcantara, LH			B117U0395J	1
01k	Door Trim Panel, silver alcantara, RH			B117U0394J	1
01l	Door Trim Panel, black leather, LH	Black stitching		C117U0353J	1
01m	Door Trim Panel, black leather, RH	Black stitching		C117U0352J	1
01n	Door Trim Panel, black leather, LH	Beige stitching		A120V4069S	1
01o	Door Trim Panel, black leather, RH	Beige stitching		A120V4070S	1
01p	Door Trim Panel, ruby leather, LH			C117U0357J	1
01q	Door Trim Panel, ruby leather, RH			C117U0356J	1

ELISE

Function Code: 15.13, Page: 1

Updated 3rd January 2017

Function Code 15.13 Front Door Trims

<u>Dep</u>	<u>Part Description</u>	<u>Remarks</u>	<u>Option</u>	<u>Part Number</u>	<u>Qty</u>
01r	Door Trim Panel, ink blue leather, LH			B117U0355J	1
01s	Door Trim Panel, ink blue leather, RH			B117U0354J	1
01t	Door Trim Panel, biscuit leather, LH			C117U0359J	1
01u	Door Trim Panel, biscuit leather, RH			C117U0358J	1
01v	Door Trim Panel, black leather, LH	Door release handle area in cloth	'06 MY	A120V4165S	1
01w	Door Trim Panel, black leather, RH	Door release handle area in cloth	'06 MY	A120V4166S	1
01x	Door Trim Panel, cream leather, LH	Door release handle area in cloth	'06 MY	B120U0071J	1
01y	Door Trim Panel, cream leather, RH	Door release handle area in cloth	'06 MY	B120U0070J	1
01z	Door Trim Panel, carbon leather, LH			A120V4043S	1
01az	Door Trim Panel, carbon leather, RH			A120V4044S	1
01bz	Door Trim Panel, sateen grey leather, LH		Base '10 MY on	A120U4089S	1
01cz	Door Trim Panel, sateen grey leather, RH		Base '10 MY on	A120U4090S	1
02	Insert, door trim, black alcantara, LH			A117U0377J	1
02a	Insert, door trim, black alcantara, RH			A117U0376J	1
02b	Insert, door trim, black microfibre, LH			B117U0473J	1
02c	Insert, door trim, black microfibre, RH			B117U0476J	1
02d	Insert, door trim, red alcantara, LH			A117U0379J	1
02e	Insert, door trim, red alcantara, RH			A117U0378J	1
02f	Insert, door trim, blue alcantara, LH			A117U0397J	1
02g	Insert, door trim, blue alcantara, RH			A117U0396J	1
02h	Insert, door trim, silver alcantara, LH			A117U0399J	1

ELISE

Function Code: 15.13, Page: 2

Updated 3rd January 2017

Function Code 15.13 Front Door Trims

<u>Dep</u>	<u>Part Description</u>	<u>Remarks</u>	<u>Option</u>	<u>Part Number</u>	<u>Qty</u>
02i	Insert, door trim, silver alcantara, RH			A117U0398J	1
02j	Insert, door trim, black perforated leather, LH			C117U0367J	1
02k	Insert, door trim, black perforated leather, RH			C117U0366J	1
02l	Insert, door trim, ruby perforated leather, LH			C117U0371J	1
02m	Insert, door trim, ruby perforated leather, RH			C117U0370J	1
02n	Insert, door trim, ink blue perforated leather, LH			A117U0369J	1
02o	Insert, door trim, ink blue perforated leather, RH			A117U0368J	1
02p	Insert, door trim, tan perforated leather, LH			A117U0375J	1
02q	Insert, door trim, tan perforated leather, RH			A117U0374J	1
02r	Insert, door trim, biscuit perforated leather, LH			C117U0373J	1
02s	Insert, door trim, biscuit perforated leather, RH			C117U0372J	1
02t	Insert, door trim, black plain leather, LH			B120V0113J	1
02u	Insert, door trim, black plain leather, RH			B120V0114J	1
02v	Insert, door trim, cream plain leather, LH		'06 MY	B120U0073J	1
02w	Insert, door trim, cream plain leather, RH		'06 MY	B120U0072J	1
02x	Insert, door trim, black cloth, LH		Exige standard	C117U0453J	1
02y	Insert, door trim, black cloth, RH		Exige standard	C117U0452J	1
02z	Insert, door trim, black carbon leather, LH		Exige option	C122V0035J	1
02az	Insert, door trim, black carbon leather, RH		Exige option	C122V0034J	1
03	Trim Panel, interior release handle, LH			A117U0331F	1
03a	Trim Panel, interior release handle, RH			A117U0332F	1

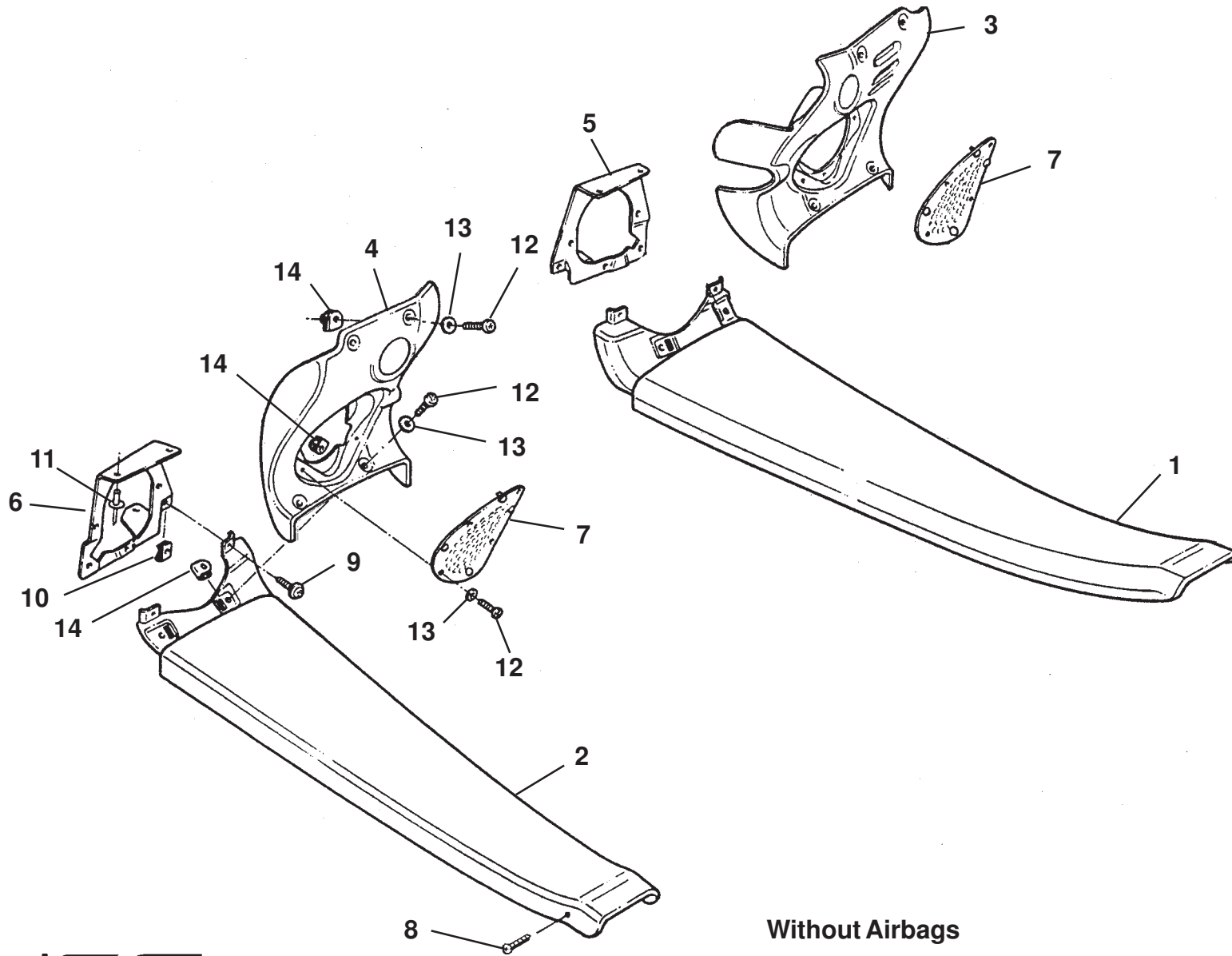
ELISE

Function Code: 15.13, Page: 3

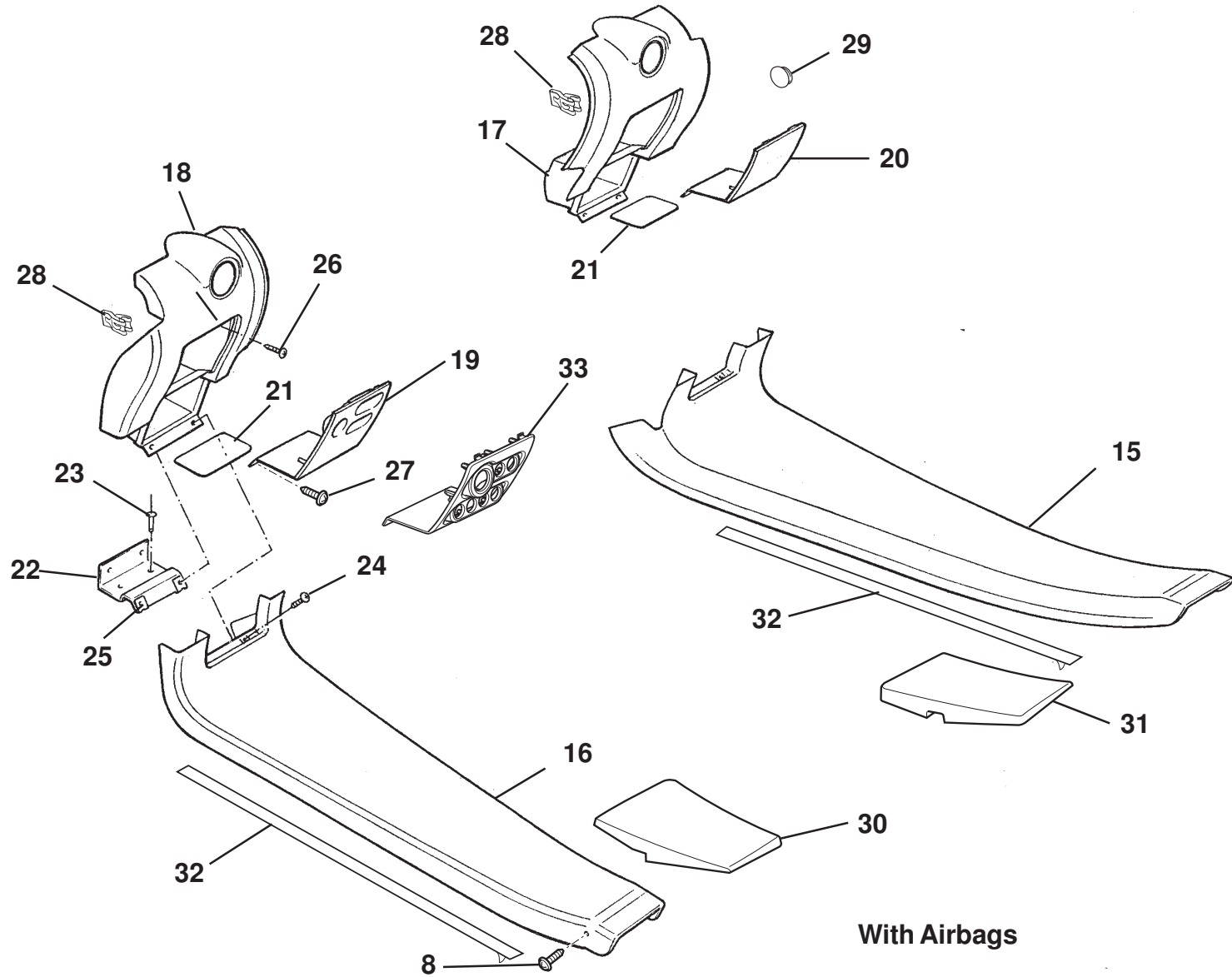
Updated 3rd January 2017

Function Code 15.13 Front Door Trims

<u>Dep</u>	<u>Part Description</u>	<u>Remarks</u>	<u>Option</u>	<u>Part Number</u>	<u>Qty</u>
04	Plastic Fastener, handle trim panel to door			A100W6479F	4
05	Screw, M5 x 20 , button hd. S/S, trim fix.		A117W5277F R/B	A082W7173F	8
05a	Screw, M5 x 20 , button hd. S/S black, trim fix.		Elise Club Racer	A111W7152F	8
06	Washer, flat, M5 x 10 x 0.8, trim to door		A082W4136F R/B	A075W4011Z	8
06a	Washer, flat, M5 x 10 x 0.8, black trim to door		Elise Club Racer '10 MY	A111W4168F	8
07	Spirenut, M5, trim to door			B100W6372F	8
08	Plastic Fastener, trim to door lower front			A100W6479F	2
09	Trim Panel, interior door pull recess, LH	Bonded to inner door		A117B0371F	1
09a	Trim Panel, interior door pull recess, RH	Bonded to inner door		A117B0372F	1
09b	Trim Panel, interior door pull recess, LH, leather	Bonded to inner door		A120V4045S	1
09c	Trim Panel, interior door pull recess, RH, leather	Bonded to inner door		A120V4046S	1
09d	Trim Panel, interior door pull recess, LH, microfibre	Bonded to inner door		A120V4047S	1
09e	Trim Panel, interior door pull recess, RH, microfibre	Bonded to inner door		A120V4048S	1
10	Fir Tree Fastener, insert & trim fixing			A116U0200F	16



Without Airbags



Service Parts List **ELISE**



Function Code 15.18 Interior Trim, Chassis Trim Panels

<u>Dep</u>	<u>Part Description</u>	<u>Remarks</u>	<u>Option</u>	<u>Part Number</u>	<u>Qty</u>
01	Sill Trim Panel, RH		Non federal, Prior '08 MY	C117U0112F	1
02	Sill Trim Panel, LH		Non federal, Prior '08 MY	C117U0117F	1
03	'A' Post Trim Panel/Speaker Housing, RH, RHD	With switch/FLV apertures	Non federal, Prior '08 MY	A117U0296F	1
03a	'A' Post Trim Panel/Speaker Housing, RH, LHD	With FLV aperture	Non federal, Prior '08 MY	A117U0297F	1
04	'A' Post Trim Panel/Speaker Housing, LH, RHD	With FLV aperture	Non federal, Prior '08 MY	A117U0298F	1
04a	'A' Post Trim Panel/Speaker Housing, LH, LHD	With switch/FLV apertures	Non federal, Prior '08 MY	A117U0295F	1
05	Bracket, speaker retention, RH		Non federal, Prior '08 MY	B117U0074F	1
06	Bracket, speaker retention, LH		Non federal, Prior '08 MY	A117U0073F	1
07	Speaker Grille		Non federal, Prior '08 MY	A117U0347F	2
07a	Foam, speaker grille	Not illustrated	Non federal, Prior '08 MY	A117V0530F	2
08	Screw, self tap. No. 6 x 1/2", flg. hd, pozi., trim fix.			A089W5138F	2
09	Screw, self tap. No.8 x 3/4", flg. hd., pozi. trim fix.			A075W5074Z	4
10	Spirenut, No.8, trim fix			A075W6016Z	4
11	Pop Rivet, bracket fix.			A075W6069Z	6
12	Screw, Ejoyt 1452K 50 x 18, black, trim/grille fix.		A117F6001F R/B	A117W5277F	16
13	Washer, flat, M4 x 9 x 0.8, trim/grille fix.			A082W4136F	16
14	Spirenut, plastic, trim/grille fix.			A117F6000F	16
15	Sill Trim Panel, RH	A121U0020F R/B	Federal	B121U0120F	1

ELISE

Function Code: 15.18, Page: 1

Updated 3rd January 2017

Function Code 15.18 Interior Trim, Chassis Trim Panels

<u>Dep</u>	<u>Part Description</u>	<u>Remarks</u>	<u>Option</u>	<u>Part Number</u>	<u>Qty</u>
15a	Sill Trim Panel, RH, senosoft,charcoal		Federal, all models '08 MY on	A121U4002F	1
15b	Sill Trim Panel, RH, carbon fibre		Exige Cup 260, '09 MY	A128U4010F	1
15c	Sill Trim Panel, RH, microfibre black		Exige Cup 260	A128B4018K	1
15d	Sill Trim Panel, RH, leather		Federal, all models '08 MY on	A121V4002S	1
16	Sill Trim Panel, LH	A121U0019F R/B	Federal	B121U0119F	1
16a	Sill Trim Panel, LH, senosoft, charcoal		Federal, all models '08 MY on	A121U4001F	1
16b	Sill Trim Panel, LH, carbon fibre		Exige Cup 260, '09 MY	A128U4009F	1
16c	Sill Trim Panel, LH, microfibre black		Exige Cup 260	A128B4017K	1
16d	Sill Trim Panel, LH, leather		Federal, all models '08 MY on	A121V4001S	1
17	'A' Post Trim Panel, RH	With FLV aperture	Federal	C121U0016F	1
17a	'A' Post Trim Panel, senosoft, charcoal, RH	With FLV aperture	Federal, all models '08 MY on	A121U4004F	1
17b	'A' Post Trim Panel, RH, carbon fibre		Exige Cup 260, '09 MY	A128B4060F	1
17c	'A' Post Trim Panel, RH, microfibre black		Exige Cup 260	A128B4020K	1
17d	'A' Post Trim Panel, RH, airbag, leather		Federal, all models '08 MY on	A121V4004S	1
18	'A' Post Trim Panel, LH	With FLV aperture	Federal	C121U0015F	1
18a	'A' Post Trim Panel, senosoft, charcoal, LH	With FLV aperture	Federal, all models '08 MY on	A121U4003F	1
18b	'A' Post Trim Panel, LH, carbon fibre		Exige Cup 260, '09 MY	A128B4059F	1
18c	'A' Post Trim Panel, LH, microfibre black		Exige Cup 260	A128B4019K	1
18d	'A' Post Trim Panel, LH, airbag, leather		Federal, all models '08 MY on	A121V4003S	1
19	Switch Panel, 2 light switch LH		Federal, prior '08 MY	C121U0037F	1
19a	Switch Panel, 2 ligh switch senosoft, charcoal, LH		Federal, '08 MY on	A121U0183F	1

ELISE

Function Code: 15.18, Page: 2

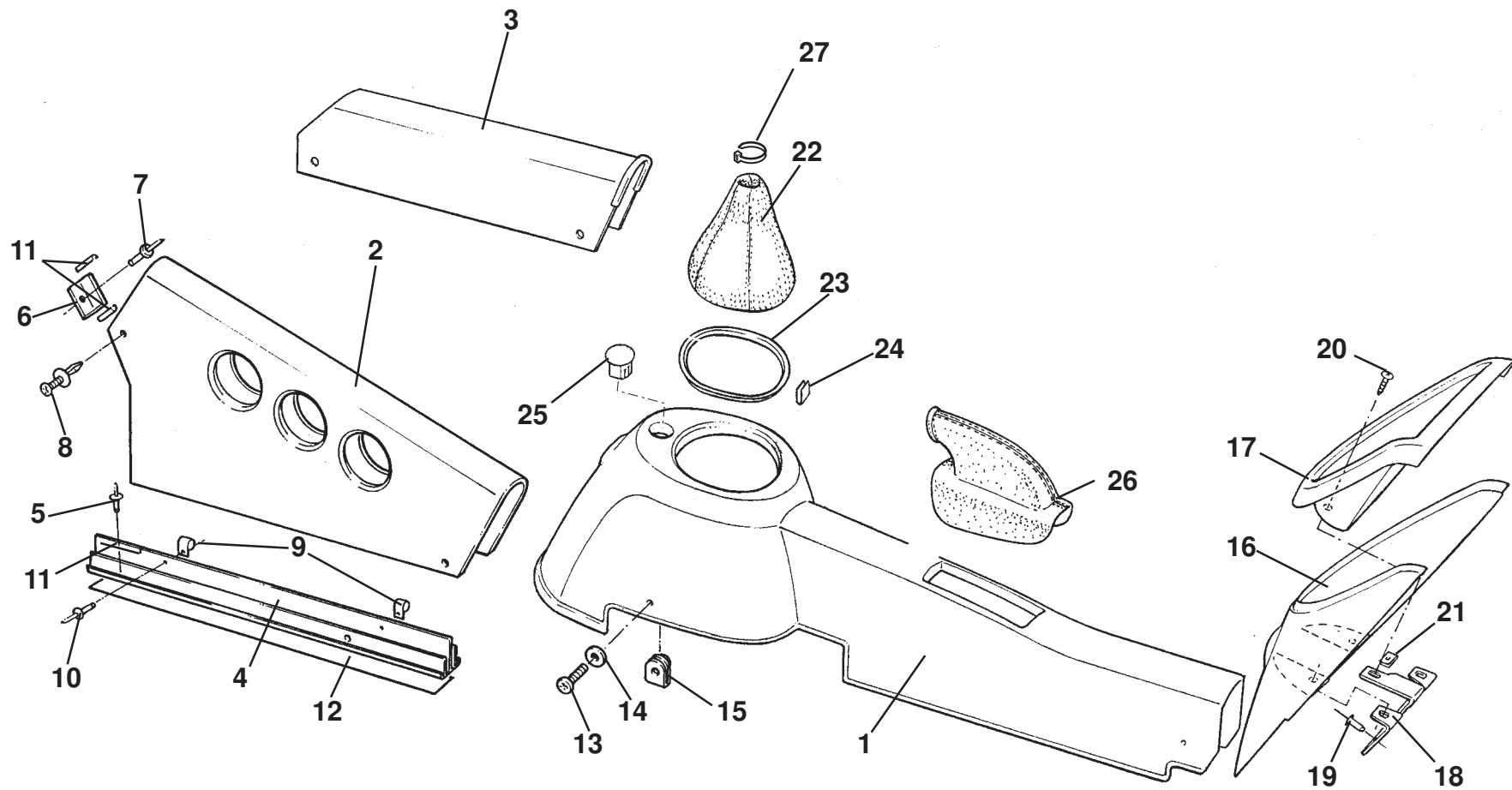
Updated 3rd January 2017

Function Code 15.18 Interior Trim, Chassis Trim Panels

<u>Dep</u>	<u>Part Description</u>	<u>Remarks</u>	<u>Option</u>	<u>Part Number</u>	<u>Qty</u>
19b	Switch Panel, 2 light switch carbon fibre, LH		Exige Cup 260, '09 MY	A128B0169F	1
19c	Switch Panel, 3 light switch,	Federal cars with aux. driving lamps	Prior '08 MY	A121U0091F	1
19d	Switch Panel, 3 light switch, senosoft, charcoal	Federal cars with aux. driving lamps	Common, all models '08 MY on	A121U0178F	1
19e	Switch Panel, 3 light switch carbon fibre,	Federal cars with aux. driving lamps	Exige Cup 260, '09 MY	A128B0170F	1
20	Cover, 'A' post trim panel aperture		Federal	C121U0035F	1
20a	Cover, 'A' post trim panel aperture, senosoft, charcoal		Federal, all models '08 MY on	A121U0177F	1
20b	Cover, 'A' post trim panel aperture, carbon fibre		Exige Cup 260, '09 MY	A128B0171F	1
21	Mat, 'A' post pocket			A121V0005K	2
22	Bracket, trim to chassis			A121U0033F	2
23	Pop Rivet, bracket to chassis			A075W6071Z	2
24	Screw, self tap. No. 8 x 3/4", panels to bracket			A075W5074Z	4
25	Spirenut, No. 8, panels to bracket	Also in pocket		A075W6016Z	8
26	Screw, self tap. No. 8 x 3/4", panel to dash upper			A075W5074Z	4
27	Screw, self tap. No. 8 x 3/4", switch panel & cover fixing			A075W5074Z	4
28	Clip, 'A' post trim panel retention			A121U0156S	4
29	Grommet Blanking 35.9mm, unused USB hole			A138W6009F	1
30	Foam Sill Trim Panel, LH*	Fitted to sill		C121U0123F	1
31	Foam Sill Trim Panel, RH*	Fitted to sill		C121U0124F	1
32	Double Sided Tape, 25 x 1.25, trim to chassis	3 x 75cm per sill trim		A117B6043V	As req.

Function Code 15.18 Interior Trim, Chassis Trim Panels

<u>Dep</u>	<u>Part Description</u>	<u>Remarks</u>	<u>Option</u>	<u>Part Number</u>	<u>Qty</u>
33	Switch Panel Housing, senosoft, black			A138V0708F	1
		*Items 30 & 31 were originally bonded to underside of sill trim, later cars this is stuck to the sill (changed during 2012 MY)			



ELISE

15.19

Updated 3rd January 2017

Service Parts List **ELISE**



Function Code 15.19 Centre Tunnel Trim, Gear Lever Gaiters/Shrouds

<u>Dep</u>	<u>Part Description</u>	<u>Remarks</u>	<u>Option</u>	<u>Part Number</u>	<u>Qty</u>
01	Cover, gear lever/parking brake, RHD	Silver		B120U0020F	1
01a	Cover, gear lever/parking brake, LHD	Silver		B120U0021F	1
01b	Cover, gear lever/parking brake, RHD	Silver, with gear lever gaiter		B120U0002K	1
01c	Cover, gear lever/parking brake, LHD	Silver, with gear lever gaiter		B120U0001K	1
01d	Cover, gear lever/parking brake, traction control, RHD	Silver, with hole for TC switch	Optional traction control	A120U0124S	1
01e	Cover, gear lever/parking brake, traction control, LHD	Silver, with hole for TC switch	Optional traction control	A120U0125S	1
01f	Cover, gear lever/parking brake, carbon gloss, RHD		Exige option	A128U0046K	1
01g	Cover, gear lever/parking brake, carbon gloss, LHD		Exige option	A128U0045K	1
01h	Cover, gear lever/parking brake, RHD leather	Black stitching		A120V4032S	1
01i	Cover, gear lever/parking brake, RHD leather	Beige stitching		A120V4072S	1
01j	Cover, gear lever/parking brake, LHD leather	Black stitching		A120V4031S	1
01k	Cover, gear lever/parking brake, LHD leather	Beige stitching		A120V4071S	1
01l	Cover, gear lever/parking brake, LHD leather	Black stitching, with hole for TC switch	Optional traction control	A120V4033S	1
01m	Cover, gear lever/parking brake, LHD leather	Beige stitching, with hole for TC switch	Optional traction control	A120V4073S	1
01n	Cover, gear lever/parking brake, RHD leather	Black stitching, with hole for TC switch	Optional traction control	A120V4034S	1
01o	Cover, gear lever/parking brake, RHD leather	Beige stitching, with hole for TC switch	Optional traction control	A120V4074S	1

ELISE

Function Code: 15.19, Page: 1

Updated 3rd January 2017

Function Code 15.19 Centre Tunnel Trim, Gear Lever Gaiters/Shrouds

<u>Dep</u>	<u>Part Description</u>	<u>Remarks</u>	<u>Option</u>	<u>Part Number</u>	<u>Qty</u>
01p	Cover, gear lever/parking brake, LHD, microfibre	Includes gaiters		A120V4039S	1
01q	Cover, gear lever/parking brake, RHD, microfibre	Includes gaiters		A120V4040S	1
01r	Cover, gear lever/parking brake, LHD, microfibre	Includes gaiters and hole for TC switch	Optional traction control	A120V4041S	1
01s	Cover, gear lever/parking brake, RHD, microfibre	Includes gaiters and hole for TC switch	Optional traction control	A120V4042S	1
01t	Cover, gear lever/parking brake, RHD	Unpainted	Elise Club Racer	A120U4088S	1
01u	Cover, gear lever/parking brake, LHD	Unpainted	Elise Club Racer	A120U4087S	1
02	Cover, tunnel front, LHD	Alloy	LHD	A111A0106F	1
02a	Cover, tunnel front, LHD	Alloy, perforated	LHD	A117U0165F	1
02b	Cover, tunnel front, carbon grey, LHD	Alloy	Elise Club Racer '10MY, LHD	A120U0144F	1
03	Cover, tunnel front, parallel, RHD	Alloy	RHD	A116A0147F	1
03a	Cover, tunnel front, parallel, RHD	Alloy, perforated	RHD	A117U0166F	1
03b	Cover, tunnel front, parallel, carbon grey, RHD	Alloy	Elise Club Racer '10 MY, RHD	A120U0145F	1
04	Mounting Bracket, front tunnel to floor			D111A0067F	1
05	Blind Rivet, tunnel mount fix.			A111W6613F	4
06	Mounting Bracket, front tunnel to toeboard			B111A0069F	1
07	Pop Rivet, 3/16" x 9/16", bracket fix.			A082W6243F	1
08	Plastic Fastener, tunnel fix.			A082W6505F	5
09	'P' Clip, harness retention			A082W5457F	2
10	Pop Rivet, 'P' clip fix.			A075W6087Z	2

Function Code 15.19 Centre Tunnel Trim, Gear Lever Gaiters/Shrouds

<u>Dep</u>	<u>Part Description</u>	<u>Remarks</u>	<u>Option</u>	<u>Part Number</u>	<u>Qty</u>
11	Edging Strip, harness protection			B075U6054V	0.16M
12	Tape, double sided, tunnel mount to floor			B075U6070V	0.55M
13	Screw, pan hd., torx, cover fix.			A117F6001F	2
13a	Screw, Ejot 1452K 50 x 18, black, cover fix.		Elise Club Racer '10 MY	A117W5277F	2
14	Washer, flat, M4 x 9, cover fix.			A082W4099F	2
14a	Washer, flat, M4 x 10 x 0.8, S/S black, cover fix.		Elise Club Racer '10 MY	A111W4168F	2
15	Spire Nut, plastic, cover fix.			A117F6000F	2
16	Console, rear lower, silver			B120U0013F	1
16a	Console, rear lower, Black leather			A120V0355S	1
17	Console/Stowage Pocket, black, rear upper			A120U0014F	1
18	Bracket, console rear to chassis			B120U0028F	3
19	Pop Rivet, bracket to chassis			A111W6613F	3
20	Screw, No. 6 x 3/8", flg. pozi., console to bracket			A075W5019F	3
21	Spirenut, No. 6, console to bracket			A075W6014Z	3
22	Gaiter, gearlever, black leather	Perforated		A120V0001K	1
22a	Gaiter, gearlever, black leather	Plain		B120V0001K	1
22b	Gaiter, gearlever, microfibre black			C120V0001K	1
22c	Gaiter, gearlever, microfibre beige			A120V0356S	1
22d	Gaiter, gearlever, black microfibre	Where carbon centre console used	Exige option, '10 MY Clubracer	A122V0070S	1
23	Retainer, gearlever gaiter			A120V0002F	1

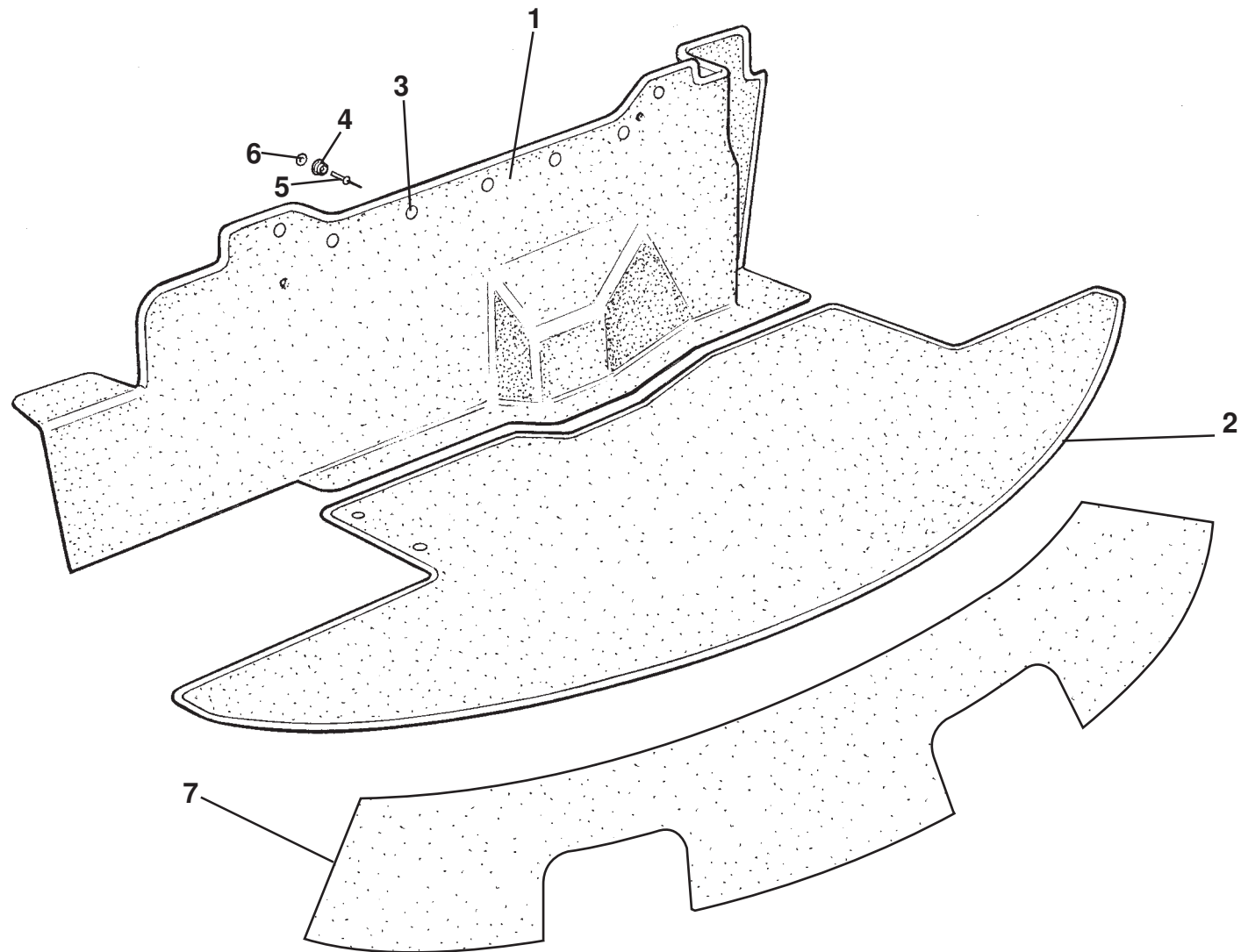
ELISE

Function Code: 15.19, Page: 3

Updated 3rd January 2017

Function Code 15.19 Centre Tunnel Trim, Gear Lever Gaiters/Shrouds

<u>Dep</u>	<u>Part Description</u>	<u>Remarks</u>	<u>Option</u>	<u>Part Number</u>	<u>Qty</u>
23a	Frame, gear lever gaiter	Where carbon centre console used	Exige option	B124U0086F	1
24	Clip, gaiter to cover			A120W6767F	6
25	Insert, hazard switch blanking		Non airbag cars	A120U0025F	1
26	Gaiter, parking brake, black perforated leather	Black stitching		A120V0172J	1
26a	Gaiter, parking brake, black perforated leather	Beige stitching		A120V0444S	1
26b	Gaiter, parking brake, black leather	Black stitching		A120V0414S	1
26c	Gaiter, parking brake, black leather	Beige stitching		A120V0445S	1
26d	Gaiter, parking brake, black microfibre	Where carbon centre console used	Exige option, '10 MY Clubracer	A122V0071S	1
27	Cable Tie, gaiter to gearknob			A075W6038Z	1



ELISE

15.24

Updated 16th July 2012

Service Parts List **ELISE**



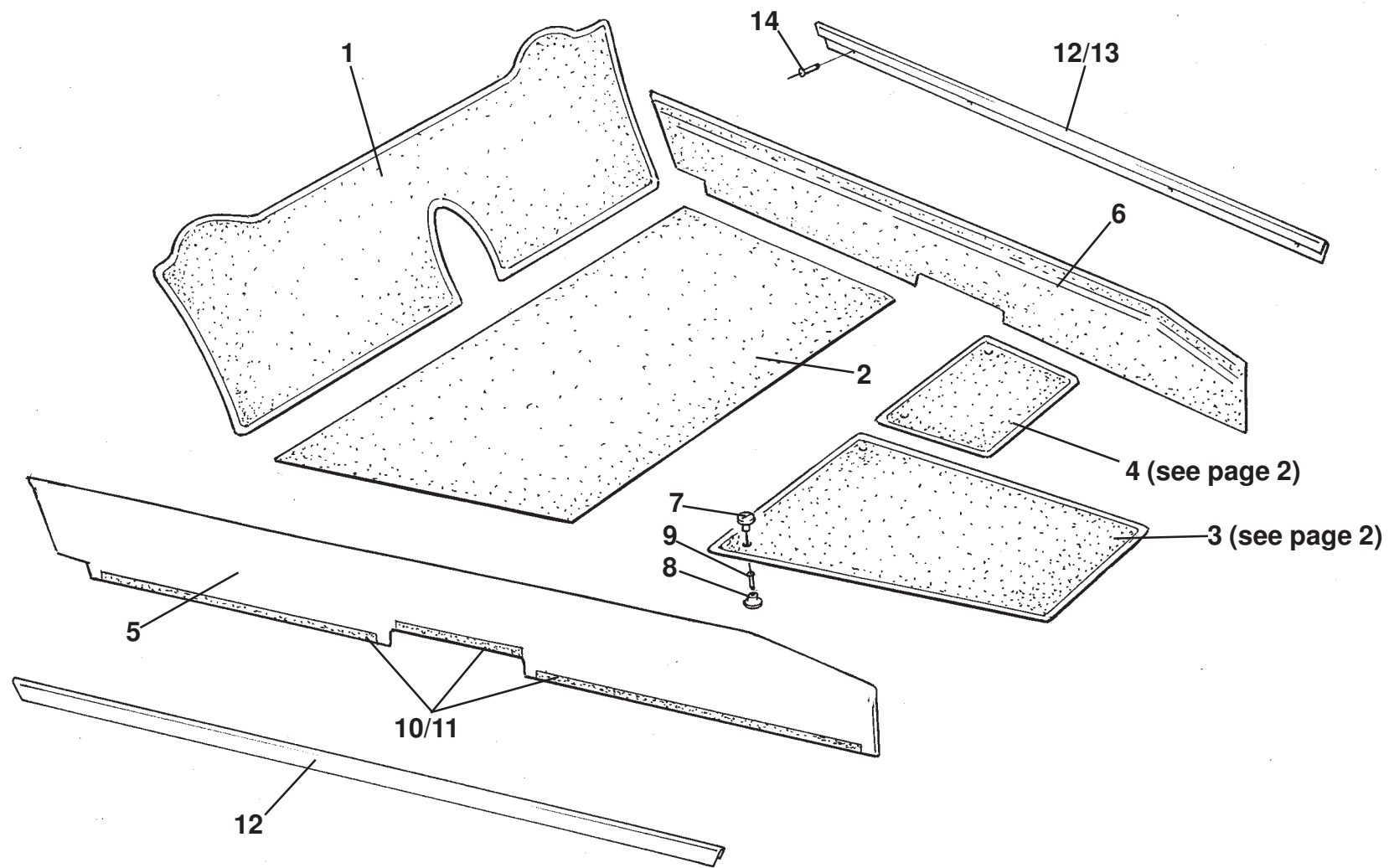
Function Code 15.24 Luggage Compartment Carpet

<u>Dep</u>	<u>Part Description</u>	<u>Remarks</u>	<u>Option</u>	<u>Part Number</u>	<u>Qty</u>
01	Carpet, boot bulkhead		Elise	D120V0007J	1
01a	Carpet, boot bulkhead		Exige	A122V0002J	1
01b	Carrier/Carpet Assembly, boot bulkhead		Elise 2011 MY	B120B0363J	1
02	Carpet, boot floor			C120V0006K	1
02a	Carpet, boot floor		Elise 2011 MY	B120B0306J	1
03	Press Fastener Button, bulkhead/floor carpet fix.	Part of item 1		A111B6074F	9
03a	Press Fastener Socket, bulkhead carpet fix.	Part of item 1		A111B6075F	9
04	Press Fastener Stud, carpet to bulkhead/floor			A111B6076F	9
05	Pop Rivet, fastener fix.			A075W6070Z	9
06	Washer, flat, 1/8 x 3/8"			A075W4001Z	9
07	Carpet, boot rear transom, harness	Adapt to suit model	Common	A120V0004F	1

ELISE

Function Code: 15.24, Page: 1

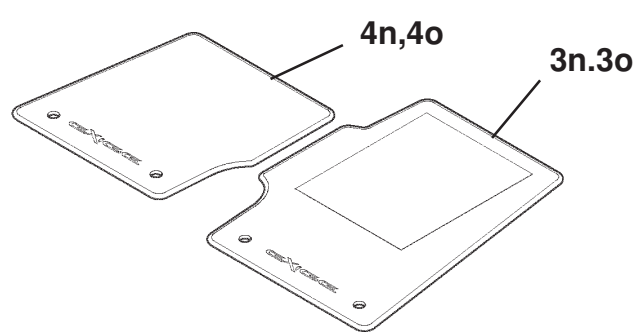
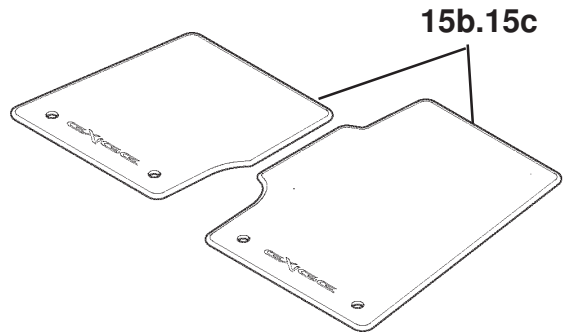
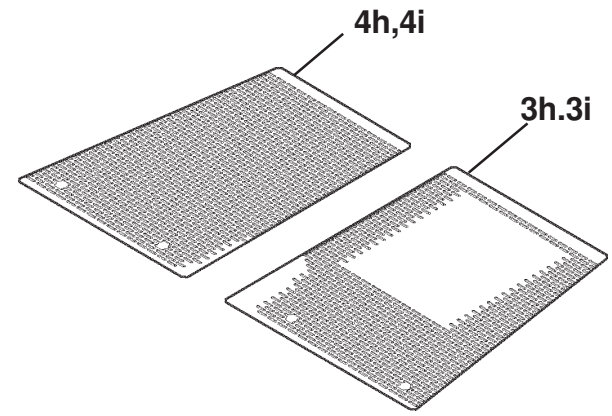
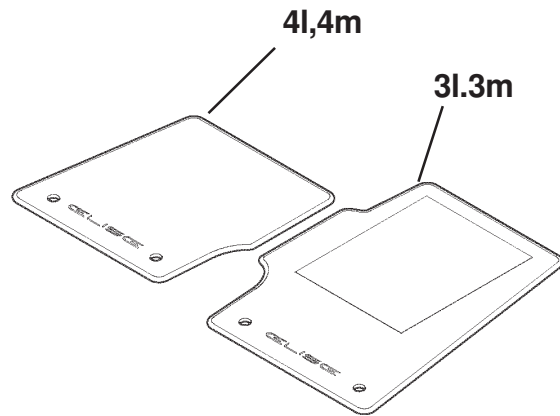
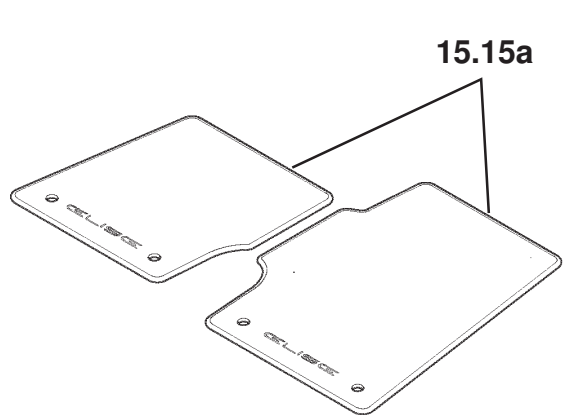
Updated 16th July 2012



ELISE

15.30 page1

Updated 1st October 2013



RHD Illustrated

Service Parts List **ELISE**



Function Code 15.30 Carpeting & Mats

<u>Dep</u>	<u>Part Description</u>	<u>Remarks</u>	<u>Option</u>	<u>Part Number</u>	<u>Qty</u>
01	Carpet, rear bulkhead, black			C120V0042K	1
01a	Carpet, rear bulkhead, red			A120V0086K	1
01b	Carpet, rear bulkhead, blue			A120V0087K	1
01c	Carpet, rear bulkhead, stone			A120V0089K	1
02	Carpet, floor underseat, black			A117V0095K	1
02a	Carpet, floor underseat, red			A117V0099K	1
02b	Carpet, floor underseat, blue			A117V0097K	1
02c	Carpet, floor underseat, stone			A117V0103K	1
03	Carpet, footwell, driver, black, RHD		'04-'10 MY	A120V0058K	1
03a	Carpet, footwell, driver, black, LHD		'04-'10 MY	A120V0060K	1
03b	Carpet, footwell, driver, red, RHD		'04-'10 MY	A120V0067K	1
03c	Carpet, footwell, driver, red, LHD		'04-'10 MY	A120V0062K	1
03d	Carpet, footwell, driver, blue, RHD		'04-'10 MY	A120V0070K	1
03e	Carpet, footwell, driver, blue, LHD		'04-'10 MY	A120V0064K	1
03f	Carpet, footwell, driver, stone, RHD		'04-'10 MY	A120V0072K	1
03g	Carpet, footwell, driver, stone, LHD		'04-'10 MY	A120V0066K	1
03h	Footmat, aluminium, driver, RHD		Elise Club Racer '10 MY	A120U4054F	1
03i	Footmat, aluminium, driver, LHD		Elise Club Racer '10 MY	A120U4055F	1

ELISE

Function Code: 15.30, Page: 1

Updated 3rd January 2017

Function Code 15.30 Carpeting & Mats

<u>Dep</u>	<u>Part Description</u>	<u>Remarks</u>	<u>Option</u>	<u>Part Number</u>	<u>Qty</u>
03j	Pad, underfloor, driver, RHD		Elise Club Racer '10 MY	A120V4028F	1
03k	Pad, underfloor, driver, LHD		Elise Club Racer '10 MY	A120V4029F	1
03l	Carpet, footwell, driver, black, embroidered, Elise, RHD		Elise '11 MY	A120V0393J	1
03m	Carpet, footwell, driver, black, embroidered, Elise, LHD		Elise '11 MY	A120V0391J	1
03n	Carpet, footwell, driver, black, embroidered, Exige, RHD		Exige '11MY	A120V0397J	1
03o	Carpet, footwell, driver, black, embroidered, Exige, LHD		Exige '11MY	A120V0395J	1
04	Carpet, footwell, passenger, black, three quarter, RHD		'04-'10 MY	A120V0059K	1
04a	Carpet, footwell, passenger, black, three quarter, LHD		'04-'10 MY	A120V0061K	1
04b	Carpet, footwell, passenger, red, three quarter, RHD		'04-'10 MY	A120V0069K	1
04c	Carpet, footwell, passenger, red, three quarter, LHD		'04-'10 MY	A120V0063K	1
04d	Carpet, footwell, passenger, blue, three quarter, RHD		'04-'10 MY	A120V0071K	1
04e	Carpet, footwell, passenger, blue, three quarter, LHD		'04-'10 MY	A120V0065K	1
04f	Carpet, footwell, passenger, stone, three quarter, RHD		'04-'10 MY	A120V0073K	1
04g	Carpet, footwell, passenger, stone, three quarter, LHD		'04-'10 MY	A120V0068K	1
04h	Footmat, aluminium, passenger, RHD		Elise Club Racer '10 MY	A120U4053F	1
04i	Footmat, aluminium, passenger, LHD		Elise Club Racer '10 MY	A120U4056F	1
04j	Pad, underfloor, passenger, RHD		Elise Club Racer '10 MY	A120V4027F	1
04k	Pad, underfloor, passenger, LHD		Elise Club Racer '10 MY	A120V4030F	1
04l	Carpet, footwell, passenger, black, embroidered, Elise, RHD		Elise '11 MY	A120V0394J	1

Function Code 15.30 Carpeting & Mats

<u>Dep</u>	<u>Part Description</u>	<u>Remarks</u>	<u>Option</u>	<u>Part Number</u>	<u>Qty</u>
04m	Carpet, footwell, passenger, black, embroidered, Elise, LHD		Elise '11 MY	A120V0392J	1
04n	Carpet, footwell, passenger, black, embroidered, Exige, RHD		Exige '11 MY	A120V0398J	1
04o	Carpet, footwell, passenger, black, embroidered, Exige, LHD		Exige '11 MY	A120V0396J	1
05	Carpet, sill, black, RH			A117V0602K	1
05a	Carpet, sill, red, RH			A117V0606K	1
05b	Carpet, sill, blue, RH			A117V0608K	1
05c	Carpet, sill, stone, RH			A117V0612K	1
05d	Carpet, sill, black, RH		Hot Climate	A120V4024K	1
06	Carpet, sill, black, LH, RHD			A117V0603K	1
06a	Carpet, sill, black, LH, LHD			A117V0604K	1
06b	Carpet, sill, red, LH, RHD			A117V0605K	1
06c	Carpet, sill, red, LH, LHD			A117V0607K	1
06d	Carpet, sill, blue, LH, RHD			A117V0609K	1
06e	Carpet, sill, blue, LH, LHD			A117V0610K	1
06f	Carpet, sill, stone, LH, RHD			A117V0611K	1
06g	Carpet, sill, stone, LH, LHD			A117V0613K	1
06h	Carpet, sill, black, LH		Hot Climate	A120V4023K	1
07	Carpet Fixing, male, footwell carpet, silver		A120V0075F R/B	B120V0075F	4
07a	Carpet Fixing, male, footwell carpet, black			A124V0054F	4

ELISE

Function Code: 15.30, Page: 3

Updated 3rd January 2017

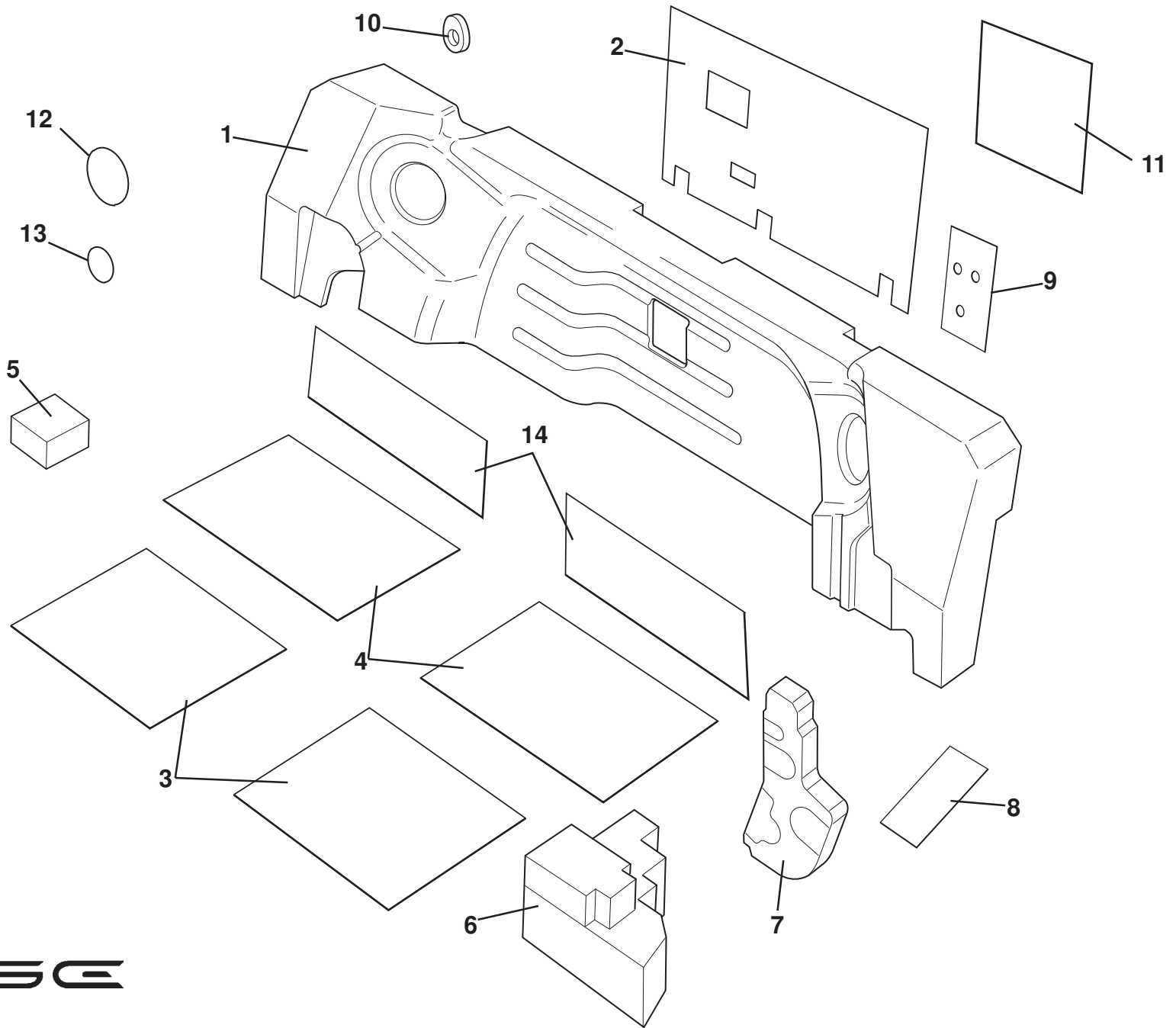
Function Code 15.30 Carpeting & Mats

<u>Dep</u>	<u>Part Description</u>	<u>Remarks</u>	<u>Option</u>	<u>Part Number</u>	<u>Qty</u>
08	Carpet Fixing, female, footwell carpet, silver		A120V0076F R/B	B120V0076F	4
08a	Carpet Fixing, female, footwell carpet, black			A124V0055F	4
09	Pop Rivet, fixing to floor		Standard	A111W6574F	4
09a	Pop Rivet, fixing to floor	See Service Bulletin 2004/14	When secondary floor fitted	A120V6003S	4
09b	Washer, flat, 3/16 x 0.5", fixing to floor	Not illustrated		A075W4000Z	4
10	Velcro Loop, carpet to chassis	Items: 1, 5 & 6 only		A082V6088V	5.5M
11	Velcro Hook, chassis to carpet	As above, plus footwells only		A082V6058V	8M
12	Finisher, sill carpet, RHD, RH & LH; LHD, RH	Long, 1 off, LHD		B117U0430F	2
13	Finisher, sill carpet, LHD, LH	Short	B117U0431F R/B	C117U0431F	1
14	Pop Rivet, finisher to chassis			A075W6094Z	8
15	Footmat Set, embroidered, Elise RHD		Elise '06 MY option	A120V0242F	1
15a	Footmat Set, embroidered, Elise LHD		Elise '06 MY option	A120V0243F	1
15b	Footmat Set, embroidered, Exige RHD		Exige '06 MY option	A120V0244F	1
15c	Footmat Set, embroidered, Exige LHD		Exige '06 MY option	A120V0245F	1
15d	Footmat Set embroidered	Red carpet beige binding	California edition '08 MY	A120V0357S	1
15e	Footmat Set, gold embroidered Elise, LHD	USA only, 50 off	72D limited edition	A121V0013F	1
16	Washer, neoprene, 30 x 20 x 3mm, aluminium footmat fix.	Not illustrated	Elise Club Racer '10 MY	A120U0152F	4
17	Carpet Step Plate LH	Not illustrated	Gulf States	A120V4025K	1
17a	Carpet Step Plate RH	Not illustrated	Gulf States	A120V4026K	1
18	Double Sided Tape, aluminium footmat fix.		Elise Club Racer '10 MY	A100B6142V	As req.

ELISE

Function Code: 15.30, Page: 4

Updated 3rd January 2017



ELISE

16.01

Updated 3rd January 2017

Service Parts List **ELISE**



Function Code 16.01 Passenger Compartment Sound Insulation

<u>Dep</u>	<u>Part Description</u>	<u>Remarks</u>	<u>Option</u>	<u>Part Number</u>	<u>Qty</u>
01	NVH Foam Panel, bulkhead	Modify to fit 2ZR	NVH pack	A120V0003K	1
01a	NVH Foam, block	Not illustrated, Use for bulkhead	Gulf States	A120V0346F	4
02	Sheet Damping, bulkhead		NVH pack	A117V0511F	1
03	Sheet Damping, footwell		NVH pack	A117B0558F	2
03a	Insulation Pad, footwell LH	Not illustrated	Gulf States	A120V4017F	1
03b	Insulation Pad, footwell RH	Not illustrated	Gulf States	A120V4018F	1
04	Sheet Damping, seats		NVH pack	A116V0309F	2
04a	Insulation Pad, underseat LH	Not illustrated	Gulf States	A120V4019F	1
04b	Insulation Pad, underseat RH	Not illustrated	Gulf States	A120V4020F	1
05	NVH Foam, steering column		NVH pack	A117V0532Z	1
06	NVH Foam Assembly 'A' pillar lower, LH		NVH pack, A117V0531F R/B	A120B4001J	1
06a	NVH Foam Assembly 'A' pillar lower, RH		NVH pack, A117V0531F R/B	A120B4002J	1
07	NVH Foam, bodyside front	1ZZ,1ZR,2ZZ power train	NVH pack	A120B0074F	1
08	Tape, Tessaband 4661, sill holes covering		NVH pack	A116V6008F	1.2M
09	NVH Mat, rear bulkhead, purge valve		111R, R/Exige only	A120V0136F	1
10	Seal, Seat Belt Anchor Frame to bulkhead		NVH pack	A120B0207F	2
11	Insulation Alarm Sensor, RF shield	Self adhesive foil		A121B0134F	1
12	Blanking Patch, scuttle beam holes, 38mm dia,			A116A0184F	8

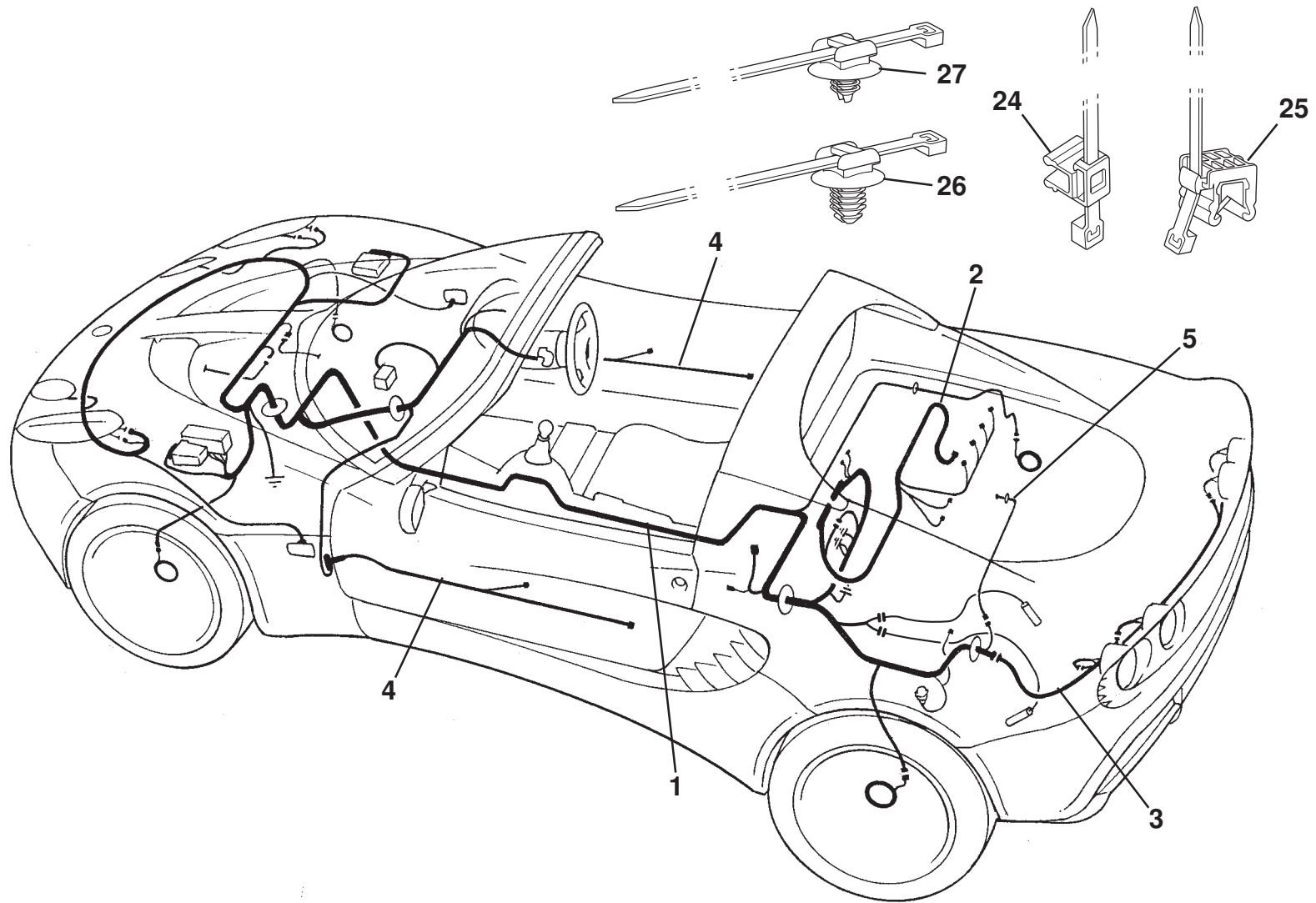
ELISE

Function Code: 16.01, Page: 1

Updated 3rd January 2017

Function Code 16.01 Passenger Compartment Sound Insulation

<u>Dep</u>	<u>Part Description</u>	<u>Remarks</u>	<u>Option</u>	<u>Part Number</u>	<u>Qty</u>
13	Blanking Patch, scuttle beam holes, 20mm dia.			A111V0206F	9
14	NVH Mat			A116V0120F	2
15	Seal	Not illustrated, Secondary unit to bulkhead	Gulf States	A120H0002F	1
16	Insulation Pad, sill LH	Not illustrated	Gulf States	A120V4015F	1
16a	Insulation Pad, sill RH	Not illustrated	Gulf States	A120V4016F	1
17	Insulation Pad, tank panel	Not illustrated	Gulf States	A120V0352F	1
18	Insulation Boot Inner GCC	Not illustrated	Gulf States	A120V0353F	1



ELISE

17.01

Updated 2nd June 2014

Service Parts List **ELISE**



Function Code 17.01 Harnesses, Leads

<u>Dep</u>	<u>Part Description</u>	<u>Remarks</u>	<u>Option</u>	<u>Part Number</u>	<u>Qty</u>
01	Harness, main	Non airbag	Euro	B120M0003F	1
01a	Harness, main, electronic throttle	Non airbag	Euro, '06 MY	B120M0025F	1
01b	Harness, main, federal	Airbags	USA/Canada	A121M0001F	1
01c	Harness, main, with driving lamps, federal	Airbags	USA/Canada	C121M0001F	1
01d	Harness, main, federal, electronic throttle	Airbags	USA/Canada, '06/07 MY	D121M0024F	1
01e	Harness, main, electronic throttle	Non airbag	Euro '07 MY	C120M0025F	1
01f	Harness, main, electronic throttle, tpms	Airbags, all territories	Common, '08 MY	F121M0024F	1
01g	Harness, main + isolator switch wiring	Exige Cup 260	Exige option, Exige Club Racer '12MY'	A128M0005F	1
01h	Harness, main, Elise/Exige 2ZZ 1.8 engine		2011 MY	C120M0051F	1
02	Harness, engine, manual throttle			B120M0004F	1
02a	Harness, engine, electronic throttle		'06 MY, 1ZZ & 2ZZ	C120M0026F	1
02b	Harness, engine, electronic throttle		'07 MY, 1ZZ & 2ZZ	A128M0001F	1
03	Harness, rear			A120M0020F	1
03a	Harness, rear, federal		USA/Canada	A121M0012F	1
04	Harness, door		CDL/electric windows	E117M0118F	2
05	Harness, boot switch		Elise	A120M0023F	1
05a	Harness, boot switch		Exige	A122M0008F	1

ELISE

Function Code: 17.01, Page: 1

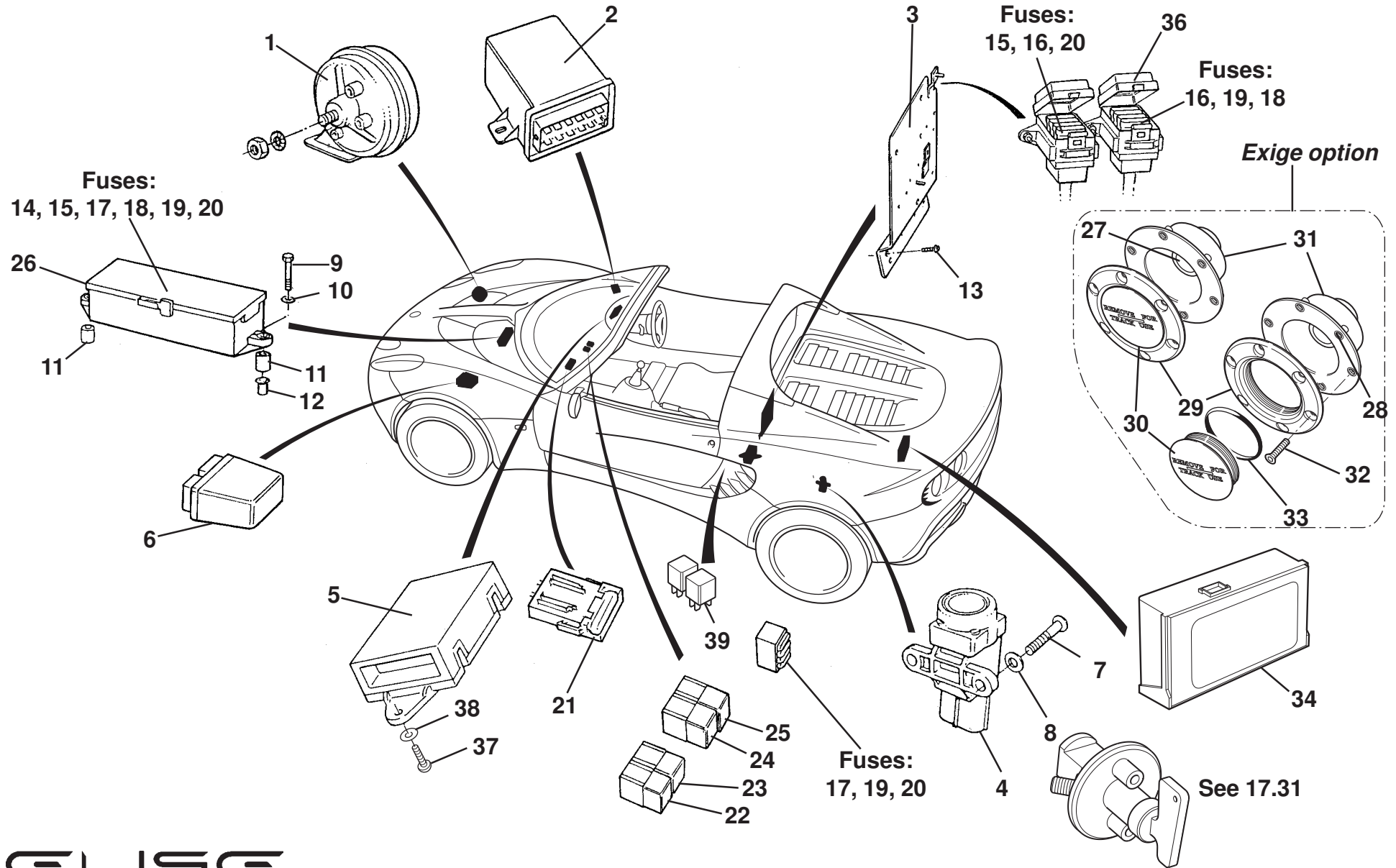
Updated 3rd January 2017

Function Code 17.01 Harnesses, Leads

<u>Dep</u>	<u>Part Description</u>	<u>Remarks</u>	<u>Option</u>	<u>Part Number</u>	<u>Qty</u>
06	Harness, headlamp link	Not illustrated, includes side marker connection	Common, prior to '07 MY	B121M0022F	2
08	Cable, CDL power up (negative)	Not illustrated (front services compartment)	Exige/Elise 2011 MY	B122M0012F	1
09	Cable, CDL power up (positive)	Not illustrated (front services compartment)	Exige/Elise 2011 MY	B122M0011F	1
10	Harness, CHMSL resistor	Not illustrated, for LED rear lamps	Common '06 MY	A120M0040F	1
11	Harness, CHMSL resistor, Euro	Not illus., also retro-fit LED rear lamps	Euro, '06 MY	A120M0041S	1
12	Harness, inductor jump, brake, Euro	Not illus., also retro-fit LED rear lamps	Euro, '06 MY	A120M0042F	2
13	Harness, CHMSL resistor, USA	Not illus., also retro-fit LED rear lamps	USA, '06 MY	A121M0041S	1
14	Harness, inductor jump, turn, USA	Not illus., also retro-fit LED rear lamps	USA, '06 MY	B121M0040F	2
15	Harness, inductor jump, brake, USA	Not illus., also retro-fit LED rear lamps	USA, '06 MY	A121M0041F	2
16	Harness, radio, Alpine	Not illustrated	'07 MY	A121M0037F	1
17	Harness, fuel pump	Not illustrated		A120M6009S	1
18	Butt Connector, ECM harness repair	Not illustrated	Service only	A120M6036S	1
19	Harness, headlamp jumper, 2ZZ	2ZZ powered cars only	Elise 2011 MY	B120M0057F	2
20	Harness, side repeater, 2ZZ	2ZZ powered cars only	Elise 2011 MY	A120M0060F	2
23	Harness, tilt sensor	Not illustrated	Dutch market	A132M6119F	1
24	Edge Clip Cable Tie, top fixing			A126W6894F	4

Function Code 17.01 Harnesses, Leads

<u>Dep</u>	<u>Part Description</u>	<u>Remarks</u>	<u>Option</u>	<u>Part Number</u>	<u>Qty</u>
25	Edge Clip Cable Tie, side fixing			A120W6900F	2
26	Fir Tree Cable Tie			A116K6020F	32
27	Fir Tree Cable Tie				3



ELISE
17.03

Updated 3rd January 2017

Service Parts List **ELISE**



Function Code 17.03 Horn, Inertia Switch, Modules, Fuses & Relays

<u>Dep</u>	<u>Part Description</u>	<u>Remarks</u>	<u>Option</u>	<u>Part Number</u>	<u>Qty</u>
01	Horn 'Low ' Note			A100M6031F	1
01a	Horn 'Hi ' Note			A120B6076F	1
02	Module, central door locking		Prior to '08 MY	A116M6048F	1
02a	Module, central door locking, PFK		From '08 MY	A132M0118F	1
03	Mounting Plate, ECM/electrical components		Prior to '06 MY	B120M0010F	1
03a	Mounting Plate, ECM/electrical components		'06 MY	A120M0027F	1
03b	Mounting Plate, ECM/electrical components		Exige supercharged	B128M0002F	1
04	Inertia switch			A082M6598F	1
05	Switch Controller		C117M0008F R/B	D117M0008F	1
06	Fan Control Module		A117M0038F R/B	B117M0038F	1
06a	Bracket, fan module retention	Not illustrated		A117M0106F	1
07	Screw, M5 x 16, pan hd. pozi.			A082W5107F	2
08	Washer, flat, M5 x 10 x 1.0			A075W4011Z	7
09	Screw, M5 x 16, button hd. fuse box fixing			A116W5281F	2
10	Washer flat, 3/16", S/S, fuse box fixing			A075W4009Z	2
11	Spacer, fuse box to wheelarch			A111U0368F	2
12	Rawlnut, M5, fuse box to wheelarch			A075W6074F	2
13	Screw, M6 x 16, flg. hd., plate to bulkhead			A918W5208F	2

ELISE

Function Code: 17.03, Page: 1

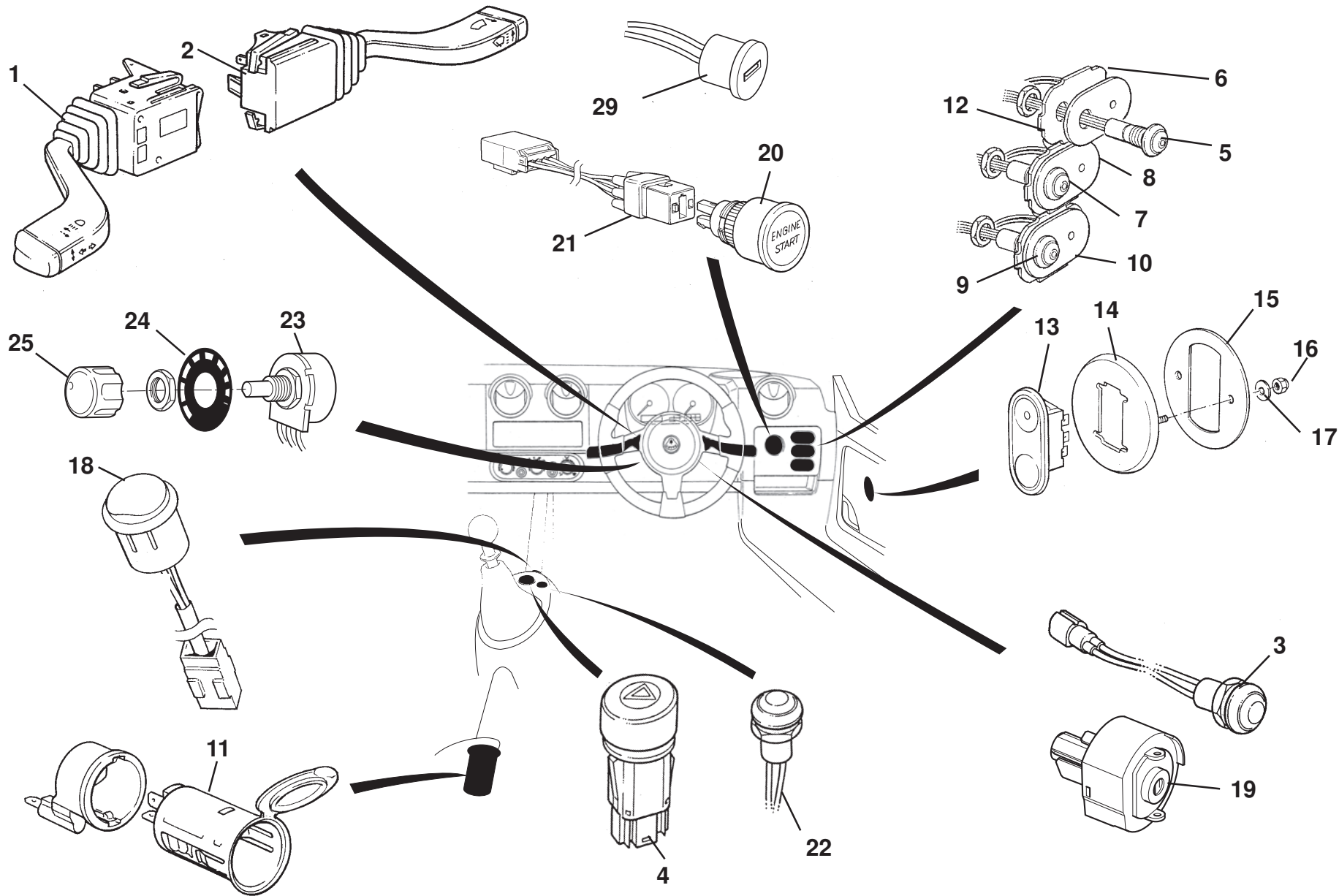
Updated 3rd January 2017

Function Code 17.03 Horn, Inertia Switch, Modules, Fuses & Relays

Dep	Part Description	Remarks	Option	Part Number	Qty
14	Fuse, 2A, black	See Service Notes, section MP		A082M6316F	1
15	Fuse, 3A, violet	See Service Notes, section MP		A082M6243F	2
16	Fuse, 5A, orange	See Service Notes, section MP		A082M6245F	4
17	Fuse, 7.5A, brown	See Service Notes, section MP		A082M6246F	9
18	Fuse, 10A, red	See Service Notes, section MP		A082M6247F	7
19	Fuse, 15A, light blue	See Service Notes, section MP		A082M6248F	3
20	Fuse, 20A, yellow	See Service Notes, section MP		A082M6249F	7
21	Maxi Fuse, 60A, dark blue, ABS	See Service Notes, section MP			1
22	Module, wiper delay			A082M6457F	1
23	Module, flasher unit	Bulb front indicators	Non USA/Canada Elise up to '10 MY. Exige '04 MY on	A120M6019F	1
23a	Module, flasher unit, federal	Bulb front indicators	USA/Canada up to '10 MY. Exige '04 MY on	A121M6016F	1
23b	Module, flasher unit, federal	LED front indicators	USA/Canada Elise '11 MY on	A121M0060F	1
23c	Module, flasher unit	LED front indicators	Non USA/Canada Elise '11 MY on	A120M0056F	1
23d	I-LS Module, flasher unit	Bulb front indicators, See 17.11 item 40	USA/Canada, Exige	A123M6000F	1
24	Relay Single Contact Changeover 30A	Inertia switch	CDL	C079M6141F	1
25	Relay, Horn			C079M6141F	1
26	Cover, fusebox			A111M6115S	1
27	Switch/wiring Kit, fire extinguisher	Red switch located on rear clam and dash	Exige option	A128B0077J	2

Function Code 17.03 Horn, Inertia Switch, Modules, Fuses & Relays

<u>Dep</u>	<u>Part Description</u>	<u>Remarks</u>	<u>Option</u>	<u>Part Number</u>	<u>Qty</u>
28	Switch, battery isolator	Green switch located on rear clam and dash	Exige option	A128M6000F	2
29	Bezel Flange, emergency switches		Exige option	A128B0046F	2
29a	Bezel, Ignition pull cable	A larger ring size as fitted to Lotus Sport built cars		ALS3M0002F	1
30	Plug Cap Centre	Includes 'O' ring, item 33	Exige option	A128B0061F	2
31	Cup, switch mounting		Exige option	A128B0062K	2
32	Screw, M5 x 25, csk, skt. hd., bezel/cup to clamshell		Exige option	A121W7214F	12
33	'O' Ring, plug to bezel		Exige option	A128B0064H	2
34	Module, tyre pressure monitoring	Located on LH of front boot bulkhead	Option by market	A121M6022F	1
35	Module, GCC over speed	Not illustrated	Elise MY 2011 gulf states	A120M6039F	1
36	Lid, engine bay fuse box			A120M6052S	2
37	Screw-M4 x 12 pan pozi			A100W5143F	2
38	Washer, flat, M4 x 9 x 0.8			A082W4099F	2
39	Relay Single Contact Changeover 30A			C079M6141F	2



ELISE
17.05

Updated 3rd January 2017

Service Parts List **ELISE**



Function Code 17.05 Interior Switches, Auxiliary Power Socket

<u>Dep</u>	<u>Part Description</u>	<u>Remarks</u>	<u>Option</u>	<u>Part Number</u>	<u>Qty</u>
01	Column Switch, LH, indicators/dip/flash			A100M6048F	1
01a	Column Switch, LH, indicators/dip/flash		MY 2011 with cruise control	A126M6010F	1
02	Column Switch, RH, windscreen wipe/wash			A100M6049F	1
03	Switch, panel light dimmer/trip reset			B117M0048F	1
04	Switch, hazard			A340M6016F	1
05	Switch, sidelamps, green tell tale			A117M0055F	1
06	Decal, sidelamps graphic, RHD/LHD			A117M0005F	1
06a	Decal, master lighting, 2 light switch		USA/Canada	B121M0015F	1
07	Switch, headlamps, green tell-tale			A117M0055F	1
08	Decal, headlamps graphic, RHD			A117M0006F	1
08a	Decal, headlamps graphic, LHD			A117M0045F	1
09	Switch, rear fog lamp, yellow tell-tale			A117M0056F	1
09a	Switch/Decal Kit, Auxillary driving lamps Fed.		USA/Canada	LOTAC05355	1
10	Decal, rear fog lamp graphic, RHD			A117M0007F	1
10a	Decal, rear fog lamp graphic, LHD			A117M0046F	1
11	Auxiliary Power Socket			A117M6024F	1
12	Switch Panel Backlight Assembly, orange	Three linked illumination panels		A117M0125F	1
13	Switch, window lift			A117M6064F	2

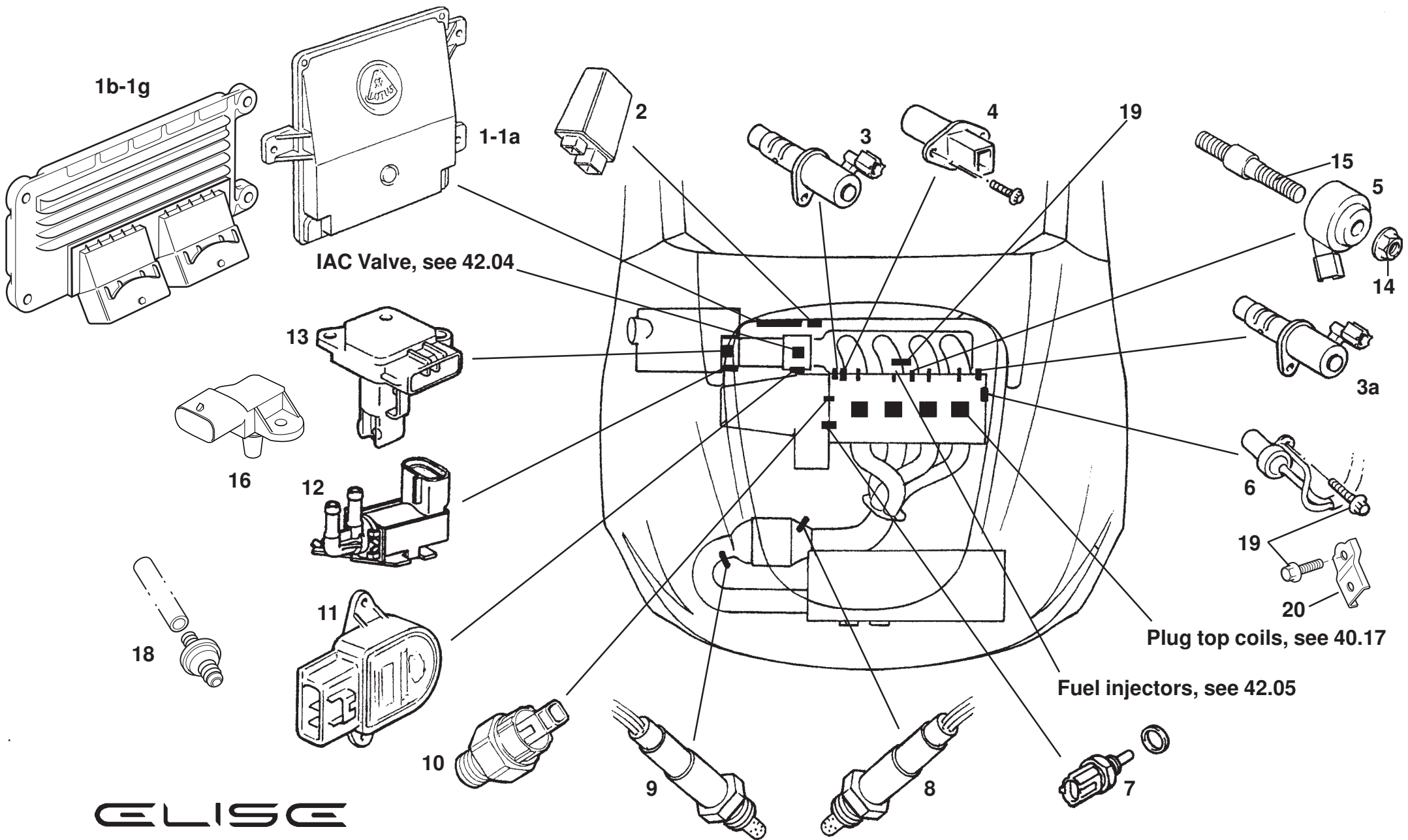
ELISE

Function Code: 17.05, Page: 1

Updated 3rd January 2017

Function Code 17.05 Interior Switches, Auxiliary Power Socket

<u>Dep</u>	<u>Part Description</u>	<u>Remarks</u>	<u>Option</u>	<u>Part Number</u>	<u>Qty</u>
14	Bezel, switch to door trim	Includes studs		A117U0344J	2
15	Backplate, switch bezel			A117U0345K	2
16	Nyloc Nut, M4, backplate to trim panel			A075W3049Z	4
17	Washer, flat, M4 x 9, backplate to trim panel			A082W4099F	4
18	Switch, central door locking			A117M0124F	1
18a	Blanking Grommet, CDL switch aperture	Not illustrated	Non CDL	A116W6714F	1
19	Ignition Switch	Part of upper steering column		A111M6108S	1
20	Starter Button,		USA/Canada & `08 MY onwards ROW	A121M0026S	1
20a	Switch/harness-engine starter		USA/Canada & `08 MY onwards ROW	B121M0018F	1
21	Microswitch/Harness Assy., engine start		USA/Canada & `08 MY onwards ROW	A121M0027S	1
22	Switch, traction control	For decal see 12.05, 1205x	'06 MY	A120M0031F	1
23	Switch, variable traction control	On column shroud	'08 MY	A127M0004F	1
24	Decal, variable traction control		'08 MY	A127B0123F	1
25	Knob, variable traction control		'08 MY	A120U0091F	1
29	USB Charging Port			B120M0077F	1



ELISE
17.06

Updated 3rd January 2017

Service Parts List **ELISE**



Function Code 17.06 Engine Management & Sensors

<u>Dep</u>	<u>Part Description</u>	<u>Remarks</u>	<u>Option</u>	<u>Part Number</u>	<u>Qty</u>
01	Electronic Control Module (ECM) T4		Euro '04-'05MY, A120E0005F R/B	B120E0005F	1
01a	Electronic Control Module (ECM) T4, federal		USA, '04-'05MY, A121E0001F R/B	C121E0001F	1
01b	Electronic Control Module (ECM) T4E	A120E0029F R/B	Euro, '06 MY-'07MY	C120E0029F	1
01c	Electronic Control Module (ECM) T4E, federal	A121E0009F R/B	USA/Canada, '06 MY-'07MY	B121E0009F	1
01d	Electronic Control Module (ECM) T4E, supercharged		Exige S, '06-'07MY	A128E6009F	1
01e	Electronic Control Module (ECM) T4E, supercharged federal		Exige S, USA, '06-'07MY	A129E6003F	1
01f	Electronic Control Module (ECM) T4E, 1ZZ		1ZZ Elise S '07 MY only	A131E6017F	1
01g	Electronic Control Module (ECM) uncalibrated	Dealer programmed	1ZZ, 2ZZ, Elise, Exige '08 MY on	B120E6501F	1
02	Multi Function Relay Unit		Common	A111M6024F	1
03	Oil Control Valve, variable valve lift	Also see 40.05	111R, Elise R, Exige	A120E6282S	1
03a	Oil Control Valve, variable valve timing, 2ZZ	Also see 40.05	111R, Elise R, Exige	A120E6282S	1
03b	Oil Control Valve, variable valve timing, 1ZZ		Elise S '07 MY	A131E6111S	1
04	Sensor, camshaft position, 2ZZ		111R, Elise R, Exige	A120E6347S	1
04a	Sensor, camshaft position, 1ZZ		Elise S '07 MY	A131E6215S	1
05	Sensor, knock control, 2ZZ		111R, Elise R, Exige	A120E6376S	1
05a	Sensor, knock control, 1ZZ	Not used on Lotus	Elise S '07 MY	A131E6151S	1

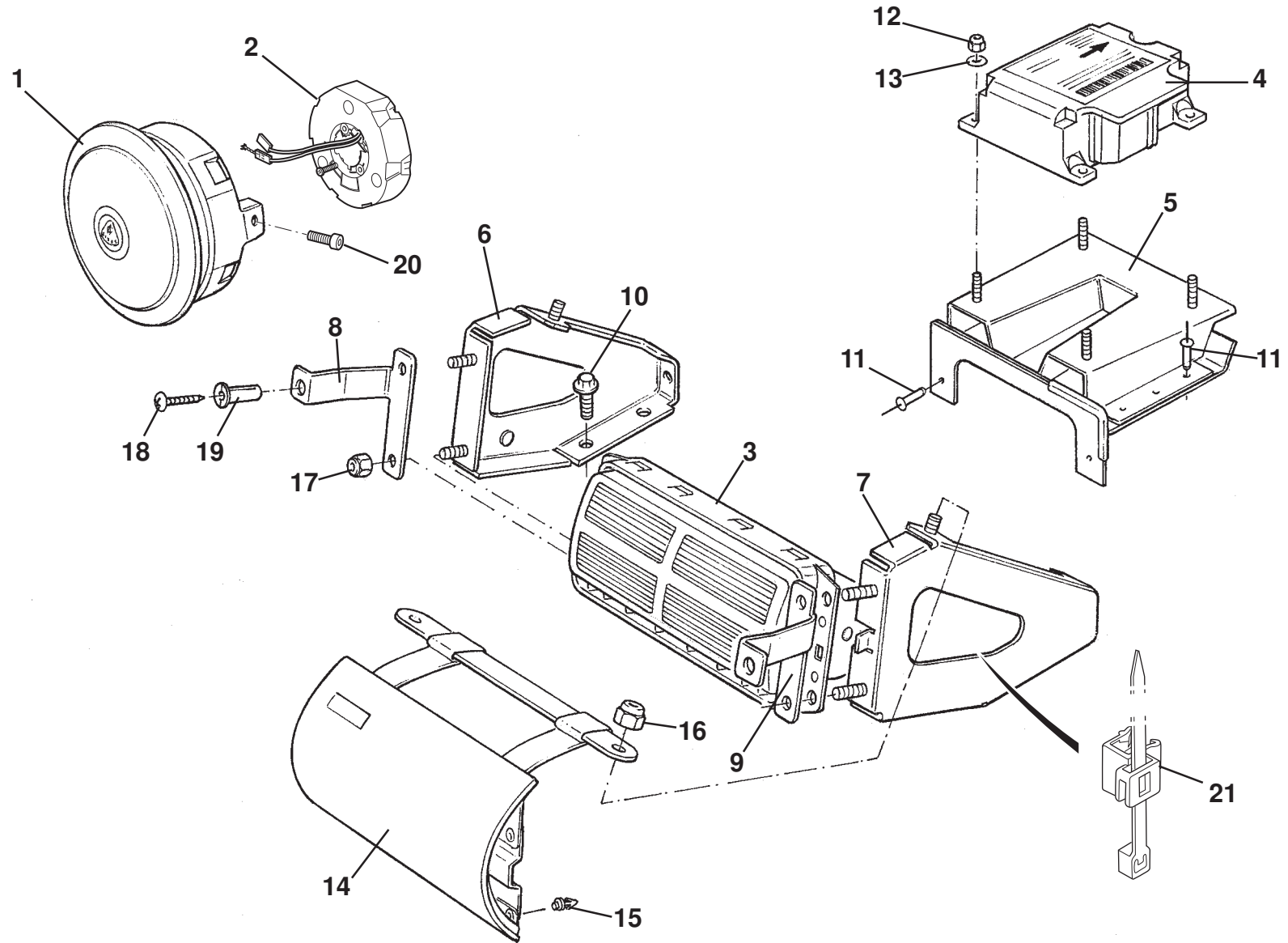
ELISE

Function Code: 17.06, Page: 1

Updated 3rd January 2017

Function Code 17.06 Engine Management & Sensors

<u>Dep</u>	<u>Part Description</u>	<u>Remarks</u>	<u>Option</u>	<u>Part Number</u>	<u>Qty</u>
06	Sensor, crankshaft position, 2ZZ		111R, Elise R, Exige	A120E6348S	1
06a	Sensor, crankshaft position, 1ZZ		Elise S '07 MY	A131E6216S	1
06b	Plate, sensor mounting	Not illustrated	111R, Elise R, Exige	A120E6204S	1
07	Sensor, engine coolant temperature		1ZZ, 2ZZ	A120E6375S	1
08	Sensor, oxygen, 1, pre-catalyst		Common	A117E6007F	1
09	Sensor, oxygen, 2, post-catalyst		Common	A117E6007F	1
10	Sensor, oil pressure, VVTL, 2ZZ		111R, Elise R, Exige	A120E6373S	1
10a	Sensor, oil pressure, VVT, 1ZZ		Elise S '07 MY	A131E6150S	1
11	Sensor, throttle position, 2ZZ		Prior to '06 MY	A120E6440S	1
12	Valve, vacuum switching, airbox flap valve	On airbox	1ZZ, 2ZZ	A120E6443S	1
13	Sensor, mass air flow	On airbox	1ZZ, 2ZZ	A120E6299S	1
13b	Screw, sensor to airbox		1ZZ, 2ZZ	A120E6447S	2
14	Nut, flg., sensor retaining		Common	A120E6355S	1
15	Stud, sensor retaining		Common	A120E6478S	1
16	T Map Sensor		Exige supercharged	A116E6063F	1
17	Cable Clip, 02 sensor harness to subframe	Not illustrated	Common	A079W6185F	4
18	One Way Valve, flap valve vac. Hose		1ZZ, 2ZZ	A120E6444S	1
19	Bolt, sensor			A120E6349S	2
20	Clamp			A120E6344S	1



ELISE
17.06b

Updated 3rd November 2014

Service Parts List **ELISE**



Function Code 17.06b SIR Inflator Modules

<u>Dep</u>	<u>Part Description</u>	<u>Remarks</u>	<u>Option</u>	<u>Part Number</u>	<u>Qty</u>
01	Airbag Assembly, driver*	Includes Lotus badge		A121U0047F	1
02	Rotary Contact Unit, SIR wheel*	P/O wheel assy., see 32.05		A120M6010S	1
03	Airbag Unit, passenger*			A121U6066F	1
04	SRS Unit*			A121B0060F	1
05	Mounting Bracket, SRS unit			B121U0095F	1
06	Mounting Bracket, passenger airbag, LH			A121U0065F	1
07	Mounting Bracket, passenger airbag, RH			A121U0066F	1
08	Mounting Bracket, passenger airbag/rail, LH		A121U0069F R/B	B121U0069F	1
09	Mounting Bracket, passenger airbag/rail, RH		A121U0070F R/B	B121U0070F	1
10	Bolt, M8 x 20, flg. hex. hd., bracket to chassis			A120W5278F	4
11	Pop Rivet, bracket to chassis			A100W6037F	8
12	Nyloc Nut, M6, SRS unit to bracket			A075W3009Z	4
13	Washer, flat, M6 x 12.5 x 1.6, SRS unit to bracket			A100W6307F	4
14	Cover Assembly, passenger airbag	Also see 14.05b	C121U0019F R/B	D121U0019F	1
14a	Cover Assembly, passenger airbag, senosoft, charcoal	Also see 14.05b	'08 MY on	A121U0176F	1
14b	Cover Assembly, passenger airbag	Also see 14.05b	CUP 260	A128B0103K	1
15	Clip, cover to dash panel		A121U0117F R/B	B121U0117F	4
16	Nyloc Nut, M8, cover strap bar to bracket			A075W3010Z	2

ELISE

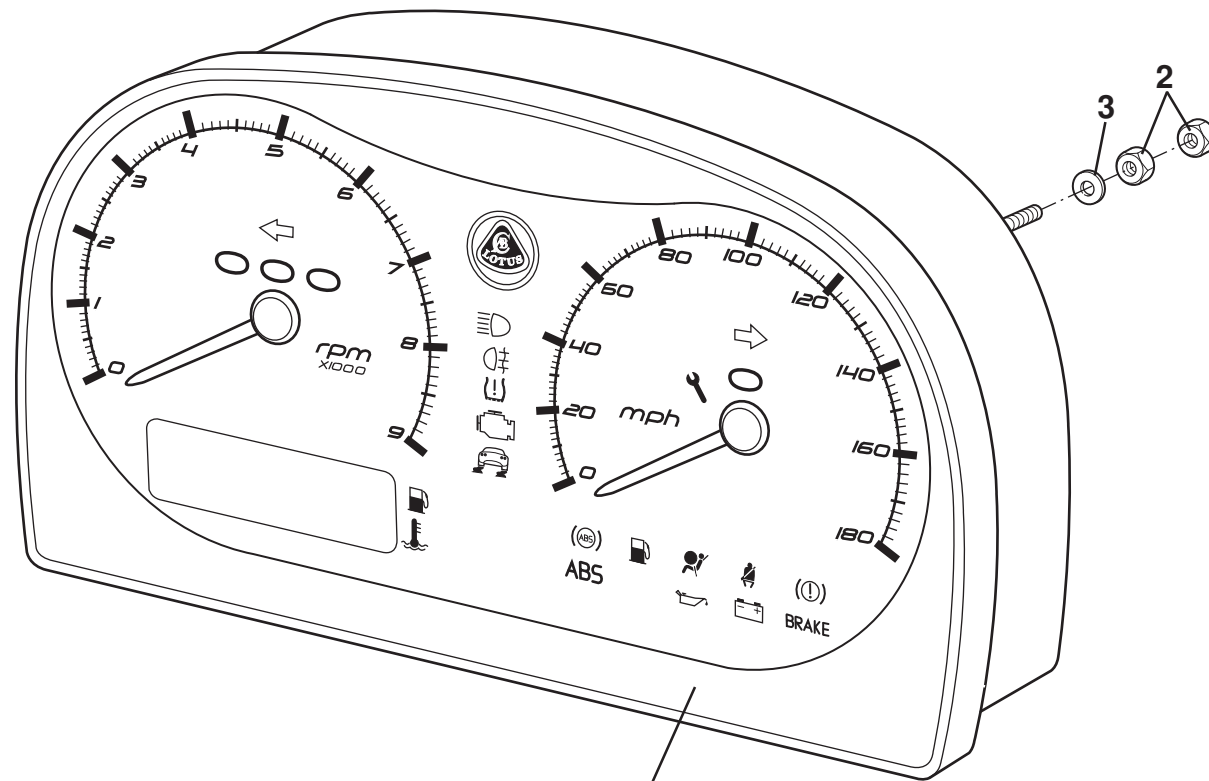
Function Code: 17.06b, Page: 1

Updated 3rd January 2017

Function Code 17.06b SIR Inflator Modules

<u>Dep</u>	<u>Part Description</u>	<u>Remarks</u>	<u>Option</u>	<u>Part Number</u>	<u>Qty</u>
17	Nyloc Nut, M6, PAB to mounting brackets			A075W3009Z	4
18	Screw, self tap., No. 8 x 3/4" bracket to dash panel			A075W5074Z	2
19	Captive Nut, bracket to dash panel			A120W3186F	2
20	Screw M6 x 10 skt cap hd			A111W7151F	2
21	Edge Clip Cable Tie, side fixing			A126W6896F	1

*These parts can only be fitted by Lotus Dealers, who must complete and return the SIR registration card supplied with the part.



'08 Model Year shown

1

ELISE

17.07

Updated 2nd December 2010

Service Parts List **ELISE**



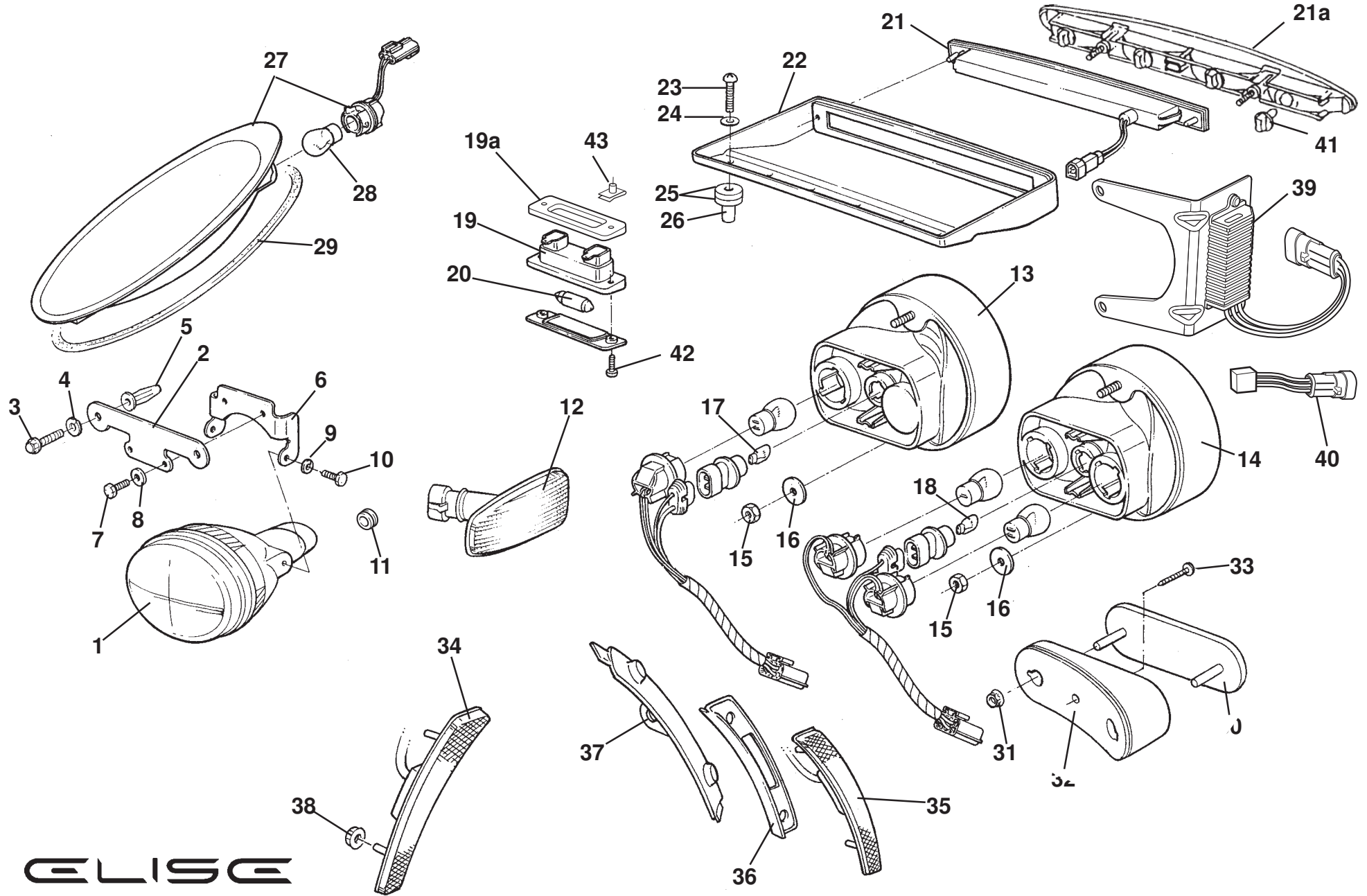
Function Code 17.07 Instruments, Tell Tales, & Displays

<u>Dep</u>	<u>Part Description</u>	<u>Remarks</u>	<u>Option</u>	<u>Part Number</u>	<u>Qty</u>
01	Instrument Pack, MPH,	Grey dials. *Can be used 08 MY on, see below	12 MY on	A138N0002F	1
01a	Instrument Pack, Km/h,	Grey dials. *Can be used 08 MY on, see below	12 MY on	A138N0001F	1
1b	Instrument Pack, MPH,	Black dials. *Can be used 08 MY on, see below	11 MY only	A121N0007F	1
1c	Instrument Pack, Km/h,	Black dials. *Can be used 08 MY on, see below	11 MY only	A121N0008F	1
01d	Instrument Pack, MPH,	Black dials	Common, '08 MY - 10 MY	A121N6000F	1
01e	Instrument Pack, Km/h,	Black dials	Common, '08 MY - 10 MY	A121N6001F	1
01f	Instrument Pack, Km/h,	White dials	With airbag, '06 MY - '07MY	A120N0004F	1
01g	Instrument Pack, MPH,	White dials	With airbag, '06 MY - '07MY	A120N0003F	1
01h	Instrument Pack, Km/h, Canada	White dials	Canada, '06 MY - '07MY	A121N0002F	1
01i	Instrument Pack, MPH, federal	White dials	USA - '07MY	C121N0001F	1
01j	Instrument Pack, Km/h	White dials	Non-airbag, '06 MY - '07MY	C120N0002F	1
01k	Instrument Pack, MPH	White dials	Non-airbag, '06 MY - '07MY	C120N0001F	1
01l	Instrument Pack, Km/h	White dials	Prior to '06 MY	B120N0002F	1
01m	Instrument Pack, MPH	White dials	Prior to '06 MY	B120N0001F	1
02	Nut, M4, pack to brackets	Also see 14.10		A075W3019F	8
03	Washer, flat, M4	Also see 14.10		A082W4099F	4



Function Code 17.07 Instruments, Tell Tales, & Displays

<u>Dep</u>	<u>Part Description</u>	<u>Remarks</u>	<u>Option</u>	<u>Part Number</u>	<u>Qty</u>
		*If necessary '11MY/'12MY instrument packs can be retro-fitted to '08MY onwards. Any new instrument pack fitted to a vehicle from '11MY BH_10931 onwards requires variant coding using TechCentre, see instrument pack information in the Service Notes MP.13			



ELISE

17.11

Updated 3rd April 2017

Service Parts List **ELISE**



Function Code 17.11 Exterior Lamps, Except Headlamps

<u>Dep</u>	<u>Part Description</u>	<u>Remarks</u>	<u>Option</u>	<u>Part Number</u>	<u>Qty</u>
01	Driving Lamp, eleptical lens, 80mm wide	Crash structure mounted		A340M6005F	2
02	Bracket, driving lamp mounting to crash structure		Common prior to '07.5 MY	A117M0074F	2
02a	Bracket, driving lamp mounting to crash structure, federal	For bumper armature mounting	USA, '07.5 MY	A121M0047F	2
03	Screw, M6 x 20, hex. flg. hd., bracket to crash structure	Black finish	Common prior to '07.5 MY	A082W5206F	4
03a	Screw, M6 x 30, hex. flg. hd., bracket to crash structure	Also armature fixing, see 10.23c	USA, '07.5 MY	A124W5294F	4
04	Washer, spring, M6, bracket to crash structure			A075W4035Z	4
05	Jacknut, M6, bracket to crash structure			A075W3031Z	4
06	Bracket, driving lamp to crash structure bracket			A117M0075F	2
06a	Bracket, driving lamp to crash structure bracket, federal		ASO option	A121M0046F	2
07	Screw, M4 x 10, hex. hd., brkt. to crash structure brkt.			A100W1100F	4
08	Washer, shakeproof, M5, brkt. to crash structure brkt.			A075W4086Z	4
09	Screw, M5 x 8, hex. hd., bracket to lamp			A117W1173F	4
10	Washer, spring, M5, bracket to lamp			A082W4097F	4
11	Grommet, driving lamp leads thro' body			A075U6043Z	2
12	Lamp, side repeater			A116M6002F	2
13	Lamp, inner, rear fog, reverse		Euro	A117M0012F	2
13a	Lamp, inner, stop/tail, reverse, stop,		USA/Canada	A082M6690F	2
13b	Lamp, inner, rear fog, reverse, LED	Incl. bulb holders & harness, Black body moulding	Euro, '06 MY	A120M0035F	2

ELISE

Function Code: 17.11, Page: 1

Updated 3rd April 2017

Function Code 17.11 Exterior Lamps, Except Headlamps

<u>Dep</u>	<u>Part Description</u>	<u>Remarks</u>	<u>Option</u>	<u>Part Number</u>	<u>Qty</u>
13c	Lamp, inner, stop/tail, reverse, stop, LED	Incl. bulb holders & harness, Black body moulding,	USA/Canada, '06 MY	A121M0029F	2
13d	Lamp, inner, rear fog, reverse, LED	Incl. bulb holders & harness, Grey body moulding	Euro	C120M0035F	2
13e	Lamp, inner, stop/tail, reverse, stop, LED	Incl. bulb holders & harness, Grey body moulding	USA/Canada	C121M0029F	2
14	Lamp, outer, tail. turn, stop/tail	Incl. bulb holders & harness	Euro	A117M0011F	2
14a	Lamp, outer, turn, turn/tail	Incl. bulb holders & harness	USA/Canada	A082M6689F	2
14b	Lamp, outer, tail. turn, stop/tail, LED	Incl. bulb holders & harness, Black body moulding	Euro, '06 MY	A120M0034F	2
14c	Lamp, outer, turn, turn/tail, LED	Incl. bulb holders & harness, Black body moulding	USA/Canada, '06 MY	A121M0028F	2
14d	Lamp, outer, tail. turn, stop/tail, LED	Incl. bulb holders & harness, Grey body moulding	Euro	C120M0034F	2
14e	Lamp, outer, turn, turn/tail, LED	Incl. bulb holders & harness, Grey body moulding	USA/Canada	D121M0028F	2
15	Nyloc Nut, thin, lamp to body			A100W3113F	8
16	Washer, flat, M5 x 18 x 1.5 S/S, lamp to body			B075W4009Z	8
17	Bulb,12v 21w, reverse		Cars with LED Lamps	A120M6029S	2
17a	Bulb,12v 21w, reverse		Cars without LED Lamps	A340M6042S	2
18	Bulb, 12v 21w, direction indicator		Cars with LED Lamps	A120M6029S	2
18a	Bulb, 12v 21w, direction indicator		Cars without LED Lamps	A340M6042S	2
19	Lamp, license plate			A117M6028F	2
19a	Plinth, license plate lamp		A117V0622F R/B	B117V0622F	2

ELISE

Function Code: 17.11, Page: 2

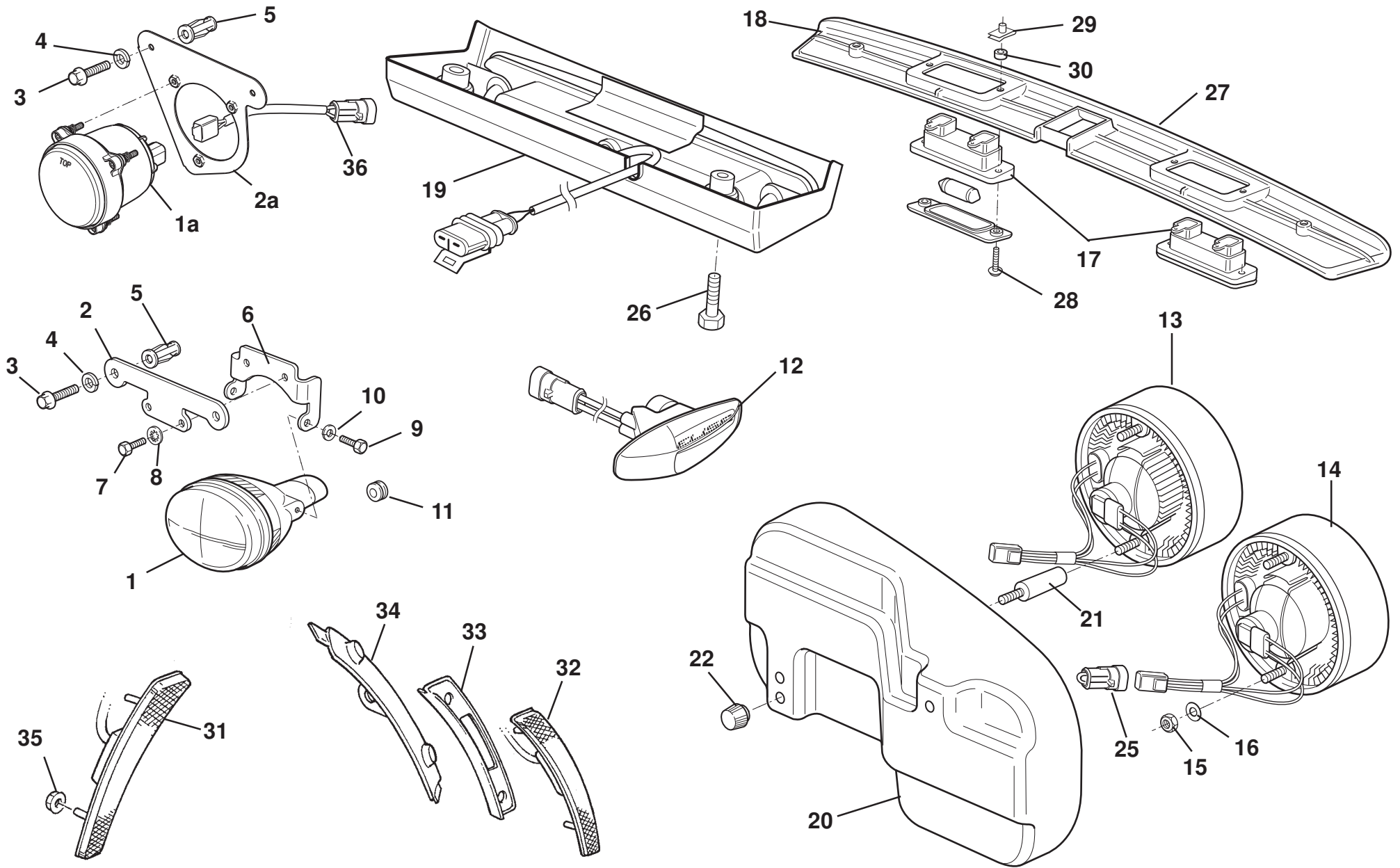
Updated 3rd April 2017

Function Code 17.11 Exterior Lamps, Except Headlamps

<u>Dep</u>	<u>Part Description</u>	<u>Remarks</u>	<u>Option</u>	<u>Part Number</u>	<u>Qty</u>
20	Bulb, 12v 5w, license plate			A083M6292F	2
21	Lamp, CHMSL	Mounted above rear window, red lense		A116M0016F	1
21a	Lamp, CHMSL	Mounted on rear transom	Exige	A111M6006F	1
21b	Lamp, CHMSL/housing assembly	Mounted above rear window, clear lense	USA/Canada + '06 MY euro	B121M0013F	1
22	Housing, CHMSL			A117M0076F	1
23	Screw, M5 x 25, button hd.,black, housing to bulkhead			A082W5185F	2
24	Washer, flat, M6 x 18 x 1, housing to bulkhead			B082W4018F	2
25	Spacer Washer, neoprene, housing to bulkhead	Bonded pairs, + rawlnut item 26		A111U6055F	4
26	Rawlnut, M5, housing to bulkhead	Bonded to washers item 25		A075W6074F	2
27	Lamp, front direction indicator, LH,w/harness			B117M0018F	1
27a	Lamp, front direction indicator, RH,w/harness			B117M0017F	1
27b	'O' Ring, indicator lamp retention	Not illustrated	'06 MY	A121B6005F	2
27c	'P' Clip, black, 'O' ring to crash structure	Not illustrated	'06 MY	A075W6000Z	4
27d	Pop Rivet, domed black, 'P' clip to crash structure	Not illustrated	'06 MY	A082W6512F	4
28	Bulb, 12v 21w, amber, front direction indicator			A111M6091S	2
29	Seal, lamp to clamshell, LH			A117M0087F	1
29a	Seal, lamp to clamshell, RH			A117M0086F	1
30	Reflector			A120M6001F	2
31	Nut, self threading, reflector to plinth			A121W3185F	4

Function Code 17.11 Exterior Lamps, Except Headlamps

<u>Dep</u>	<u>Part Description</u>	<u>Remarks</u>	<u>Option</u>	<u>Part Number</u>	<u>Qty</u>
32	Plinth, reflector to grille, LH			B120B0097F	1
32a	Plinth, reflector to grille, RH			B120B0096F	1
33	Screw, self tap., No.6, flg. pozi, plinth to grille			A082W5022F	2
34	Lamp, side marker, front, LH		USA/Canada	A121M0009F	1
34a	Lamp, side marker, front, RH		USA/Canada	A121M0008F	1
35	Lamp, side marker, rear, LH		USA/Canada	A121M0011F	1
35a	Lamp, side marker, rear, RH		USA/Canada	A121M0010F	1
36	Plinth, side marker lamp, rear, LH		USA/Canada	A121B0043F	1
36a	Plinth, side marker lamp, rear, RH		USA/Canada	A121B0042F	1
37	Cover, sidemarker harness, rear, LH		USA/Canada	B121B0027F	1
37a	Cover, sidemarker harness, rear, RH		USA/Canada	B121B0028F	1
38	Nut, self threading, lamp to body		USA/Canada	A121W3185F	8
39	Module, turn lamp, federal		USA/Canada, '06 MY	A121M0035F	2
40	I-LS Module, turn lamp, federal	See 17.03 item 23d	USA/Canada, Exige	A123M6001F	2
41	Bulb 12v 5w, CHMSL		Exige	A082M6342F	4
42	Screw No. 6 x 3/4 flg pozi, license plate lamp			A082W5022F	4
43	Spire Nut No.6			A075W6014Z	4



ELISE
17.11a

Updated 1st December 2014

Service Parts List **ELISE**



Function Code 17.11a Exterior Lamps, Except Headlamps, Elise 2011 MY

<u>Dep</u>	<u>Part Description</u>	<u>Remarks</u>	<u>Option</u>	<u>Part Number</u>	<u>Qty</u>
01	Driving Lamp, eleptical lens, 80mm wide	Crash structure mounted		A340M6005F	2
01a	Driving Lamp, round lens	Crash structure mounted, to be confirmed		A120M6060F	2
02	Bracket, driving lamp mounting to crash structure			A117M0074F	2
02a	Bracket, driving lamp to crash structure LH	To be confirmed		A120M4013F	1
02b	Bracket, driving lamp to crash structure RH	To be confirmed		A120M4014F	1
03	Screw, M6 x 20, hex. flg. hd., bracket to crash structure	Black finish		A082W5206F	4
04	Washer, spring, M6, bracket to crash structure			A075W4035Z	4
05	Jacknut, M6, bracket to crash structure			A075W3031Z	4
06	Bracket, driving lamp to crash structure bracket			A117M0075F	2
07	Screw, M4 x 10, hex. hd., brkt. to crash structure brkt.			A100W1100F	4
08	Washer, shakeproof, M5, brkt. to crash structure brkt.			A075W4086F	4
09	Screw, M5 x 8, hex. hd., bracket to lamp			A117W1173F	4
10	Washer, spring, M5, bracket to lamp			A082W4097F	4
11	Grommet, driving lamp leads thro' body			A075U6043Z	2
12	Side Repeater, LH			A120M4005F	1
12a	Side Repeater, RH			A120M4006F	1
13	Lamp, inner, rear fog, reverse, LED	Incl. bulb holders & harness, Grey body moulding	Euro	B120M0035F	2

ELISE

Function Code: 17.11a, Page: 1

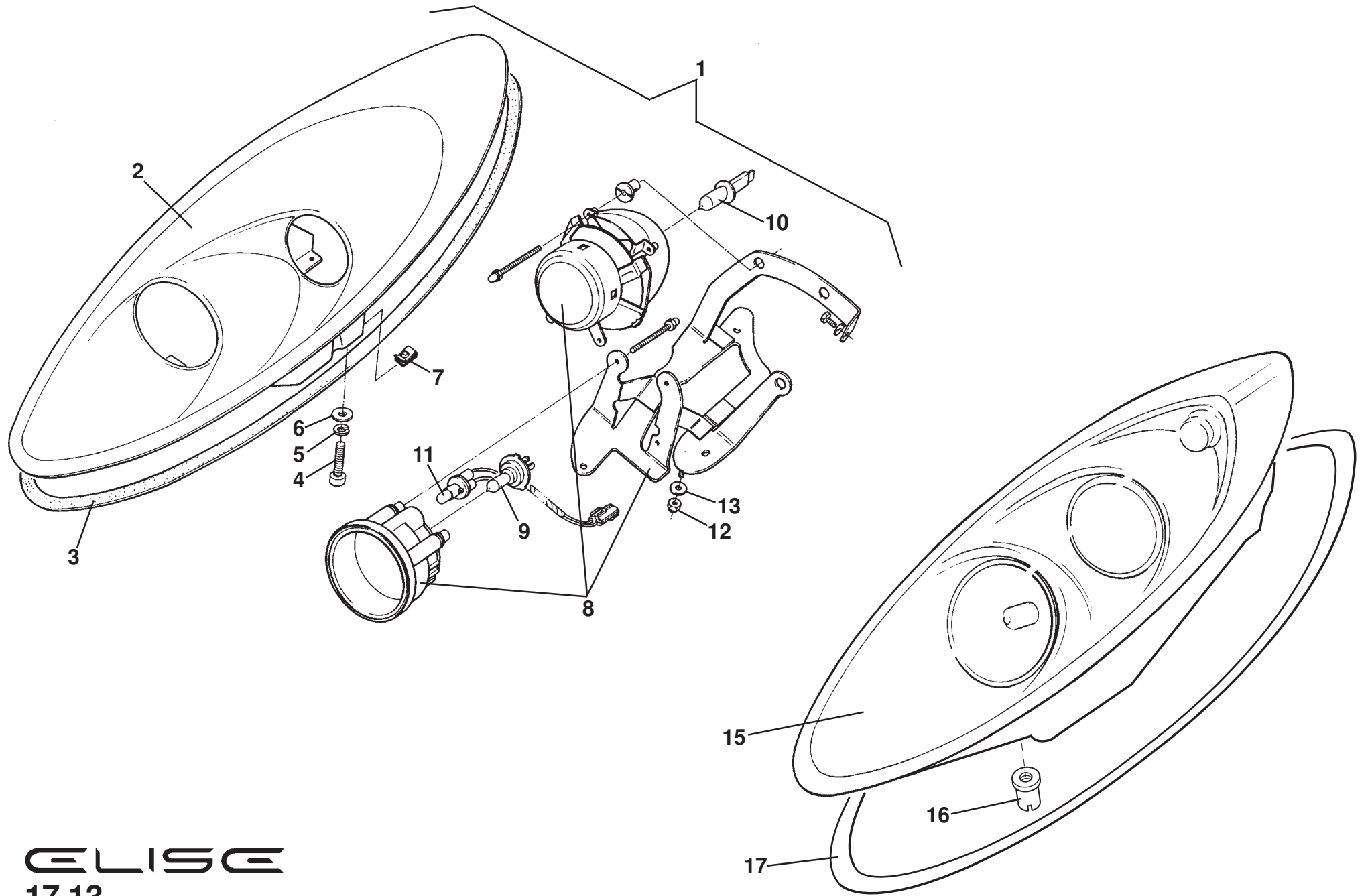
Updated 3rd June 2016

Function Code 17.11a Exterior Lamps, Except Headlamps, Elise 2011 MY

<u>Dep</u>	<u>Part Description</u>	<u>Remarks</u>	<u>Option</u>	<u>Part Number</u>	<u>Qty</u>
13a	Lamp, inner, stop/tail, reverse stop LED	Incl. bulb holders & harness	USA & Canada	B121M0029F	1
14	Lamp, outer, tail. turn, stop/tail, LED	Incl. bulb holders & harness, Grey body moulding	Euro	C120M0034F	2
14a	Lamp, outer, turn/turn tail, LED	Incl. bulb holders & harness	USA & Canada	C121M0028F	1
15	Nyloc Nut, M5, lamp to body			A075W3008Z	8
16	Washer, flat, M5 x 18 x 1.5 S/S, lamp to body			B075W4009Z	8
17	Lamp, license plate			A117M6028F	2
18	Bulb, 12v 5w, license plate			A083M6292F	2
19	Lamp, CHMSL/housing assembly	Mounted above rear window		C121M0013F	1
20	Cover, rear lamp			A120B4021K	2
21	Extender, M5 x 25, nut to lamp stud			A120B6058F	4
22	Knurled Nut, M5, plastic, cover retaining			A120B6059F	4
23	Bulb, 12v 21w, reverse	Not illustrated		A120M6029S	2
24	Bulb, 12v 21w, direction indicator	Not illustrated		A120M6029S	2
25	Link Harness		USA	A121M0068F	1
26	Screw, M5 x 30, hex hd., housing to bulkhead			A079W1084F	2
27	Finisher, license plate lamps	On clamshells without lamp mtg brkts		D132U0400F	1
28	Screw -No6 x 1" S/T Flg Pozi			A082W5022F	4
29	Spire Nut No.6			A075W6014Z	4
30	Nylon Spacer			A117W6721F	4

Function Code 17.11a Exterior Lamps, Except Headlamps, Elise 2011 MY

<u>Dep</u>	<u>Part Description</u>	<u>Remarks</u>	<u>Option</u>	<u>Part Number</u>	<u>Qty</u>
31	Lamp, side marker, front, LH		USA/Canada	A121M0009F	1
31a	Lamp, side marker, front, RH		USA/Canada	A121M0008F	1
32	Lamp, side marker, rear, LH		USA/Canada	A121M0011F	1
32a	Lamp, side marker, rear, RH		USA/Canada	A121M0010F	1
33	Plinth, side marker lamp, rear, LH		USA/Canada	A121B0043F	1
33a	Plinth, side marker lamp, rear, RH		USA/Canada	A121B0042F	1
34	Cover, sidemarker harness, rear, LH		USA/Canada	B121B0027F	1
34a	Cover, sidemarker harness, rear, RH		USA/Canada	B121B0028F	1
35	Nut, self threading, lamp to body		USA/Canada	A121W3185F	8
36	Link Harness, driving lamp			A120M0091F	2



ELISE
17.13

Service Parts List **ELISE**



Function Code 17.13 Headlamps

<u>Dep</u>	<u>Part Description</u>	<u>Remarks</u>	<u>Option</u>	<u>Part Number</u>	<u>Qty</u>
01	Headlamp Assembly, LH, RHD	Includes cover, lamps & bracket	Prior to '07 MY	A117M0014F	1
01a	Headlamp Assembly, RH, RHD	Includes cover, lamps & bracket	Prior to '07 MY	A117M0013F	1
01b	Headlamp Assembly, LH, LHD	Includes cover, lamps & bracket	Prior to '07 MY	A117M0016F	1
01c	Headlamp Assembly, RH, LHD	Includes cover, lamps & bracket	Prior to '07 MY	A117M0015F	1
02	Headlamp Cover, LH, RHD		Prior to '07 MY	A117M0097S	1
02a	Headlamp Cover, RH, RHD		Prior to '07 MY	A117M0096S	1
02b	Headlamp Cover, LH, LHD		Prior to '07 MY	A117M0099S	1
02c	Headlamp Cover, RH, LHD		Prior to '07 MY	A117M0098S	1
03	Seal, cover to clamshell		Prior to '07 MY	A117M0088F	2
03a	Seal, headlamp to clamshell		'07 MY onwards	A120M0054S	2
04	Screw, M6 x 25, cap hd., cover to body		Prior to '07 MY	A111W7170F	6
05	Washer, spring, M6, cover to body		Prior to '07 MY	A075W4035Z	6
06	Washer, flat, M6 x 15, S/S, black, cover to body		Prior to '07 MY	A082W4133F	6
07	Spirenut, M6, cover to body		Prior to '07 MY	A117W3181F	6
08	Lamps & Bracket Assembly, LH, RHD		Prior to '07 MY	A117M0089S	1
08a	Lamps & Bracket Assembly, RH, RHD		Prior to '07 MY	A117M0090S	1
08b	Lamps & Bracket Assembly, LH, LHD		Prior to '07 MY	A117M0091S	1
08c	Lamps & Bracket Assembly, RH, LHD		Prior to '07 MY	A117M0092S	1

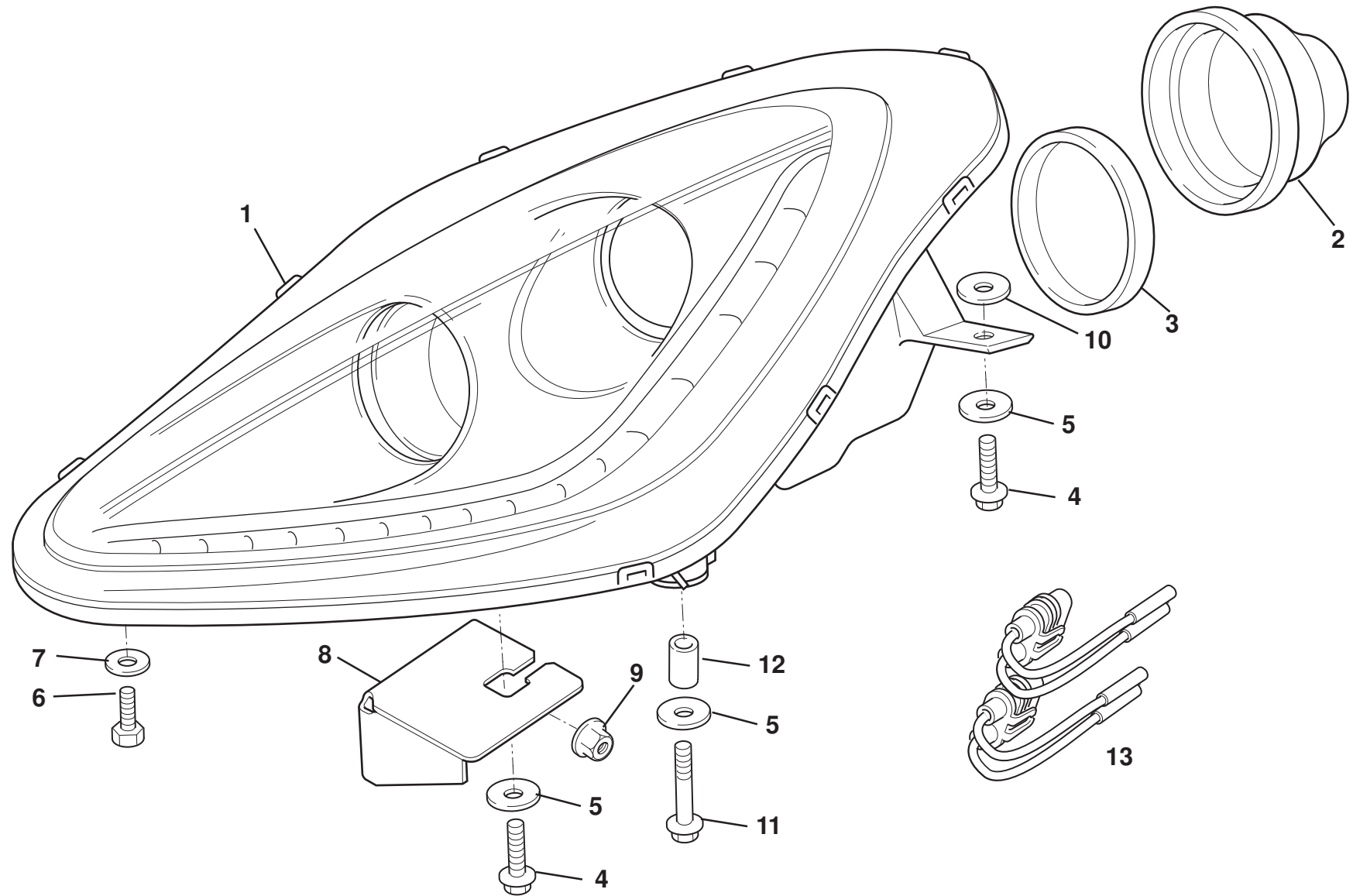
ELISE

Function Code: 17.13, Page: 1

Updated 12th September 2011

Function Code 17.13 Headlamps

<u>Dep</u>	<u>Part Description</u>	<u>Remarks</u>	<u>Option</u>	<u>Part Number</u>	<u>Qty</u>
09	Bulb, main beam, 55w, H7	Part of bulb & fuse kit	Prior to '07 MY	LOTAC05345	2
10	Bulb, dip beam, 55w, H1	Part of bulb & fuse kit	Prior to '07 MY	LOTAC05345	2
11	Bulb, side/park, 5w, W5W	Part of bulb & fuse kit	Common	LOTAC05345	2
12	Nyloc Nut, M6, 'thin', headlamps to body		Prior to '07 MY	A907E6285F	6
13	Washer, flat, M6 x 18 x 1.6, S/S, headlamps to body		Prior to '07 MY	A121W4196F	6
14	Vent, self adhesive	Not illustrated	'06 MY, Canada	A121M6011F	4
15	Headlamp Assembly, LH, RHD		'07 MY	A120M0036F	1
15a	Headlamp Assembly, RH, RHD		'07 MY	A120M0037F	1
15b	Headlamp Assembly, LH, LHD,		'07 MY, Except USA/Canada	A120M0038F	1
15c	Headlamp Assembly, RH, LHD,		'07 MY, Except USA/Canada	A120M0039F	1
15d	Headlamp Assembly, LH, LHD,Federal		'07 MY, USA/Canada	A121M0032F	1
15e	Headlamp Assembly, RH, LHD, Federal		'07 MY, USA/Canada	A121M0033F	1
16	Sleeve, headlamp adjuster	Supplied with headlamp	'07 MY	A120M6028S	6
17	Seal, headlamp to clamshell	Supplied with headlamp	'07 MY	A120M0054S	2
18	Access Cover, rubber, headlamp bulbs	Not illustrated, supplied with headlamp	'07 MY	A120M0055S	4
19	Lock nut, M10, headlamp fastening		'07 MY	A075W3024Z	6
20	Washer, M10 x 24 x 1.5		'07 MY	A075W4023F	6
21	Nyloc nut, M5, headlamp fastening, rear outboard		'07 MY	A075W3008Z	2
22	Washer, M5 x 18 x 1.5		'07 MY	B075W4009Z	2



ELISE

17.13a

Updated 4th February 2016

Service Parts List **ELISE**



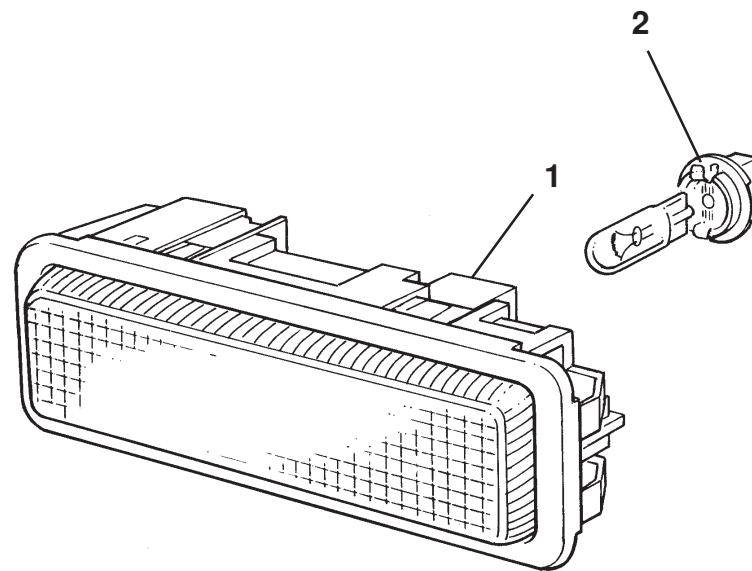
Function Code 17.13a Headlamps, Elise 2011 MY

<u>Dep</u>	<u>Part Description</u>	<u>Remarks</u>	<u>Option</u>	<u>Part Number</u>	<u>Qty</u>
01	Headlamp Assembly, LH, RHD	B level includes eyebrow over projector lens		B120M4001F	1
01a	Headlamp Assembly, RH, RHD	B level includes eyebrow over projector lens		B120M4002F	1
01b	Headlamp Assembly, LH, LHD	B level includes eyebrow over projector lens	Except USA/Canada	B120M4003F	1
01c	Headlamp Assembly, RH, LHD	B level includes eyebrow over projector lens	Except USA/Canada	B120M4004F	1
01d	Headlamp Assembly, LH, LHD, Federal	B level includes eyebrow over projector lens	USA/Canada	B121M4001F	1
01e	Headlamp Assembly, RH, LHD, Federal	B level includes eyebrow over projector lens	USA/Canada	B121M4002F	1
02	Access Cover, rubber, upper, dipped bulb	Part not available separately			2
03	Access Cover, rubber, lower, main bulb	Part not available separately			2
04	Bolt M6 x 14 hex flg, lamp retention			A116W5233F	2
05	Washer Flat M6 x 25 x 1.4, lamp retention			B075W4017Z	3
06	Screw M6 x 12 hex flg, lamp retention			A075W1027Z	1
07	Washer Flat M6 x 18 x 1, lamp retention			B082W4018F	4
08	Headlamp Bracket LH			A120B4089F	1
08a	Headlamp Bracket RH			A120B4090F	1
09	Nut M6 hex flg			A117W3180F	4



Function Code 17.13a Headlamps, Elise 2011 MY

<u>Dep</u>	<u>Part Description</u>	<u>Remarks</u>	<u>Option</u>	<u>Part Number</u>	<u>Qty</u>
10	Shim 9 x 28 x 3			A124B0255F	1
10a	Shim 9 x 28 x 1 C type			B124B0257F	3
11	Bolt M6 x 40 hex flg			A132W2019F	1
12	Spacer, lamp mounting			A120B0390F	1
13	Headlamp Repair Kit	Supplied as a pair for both headlamps see LSL642		A120M0106F	1



ELISE
17.17

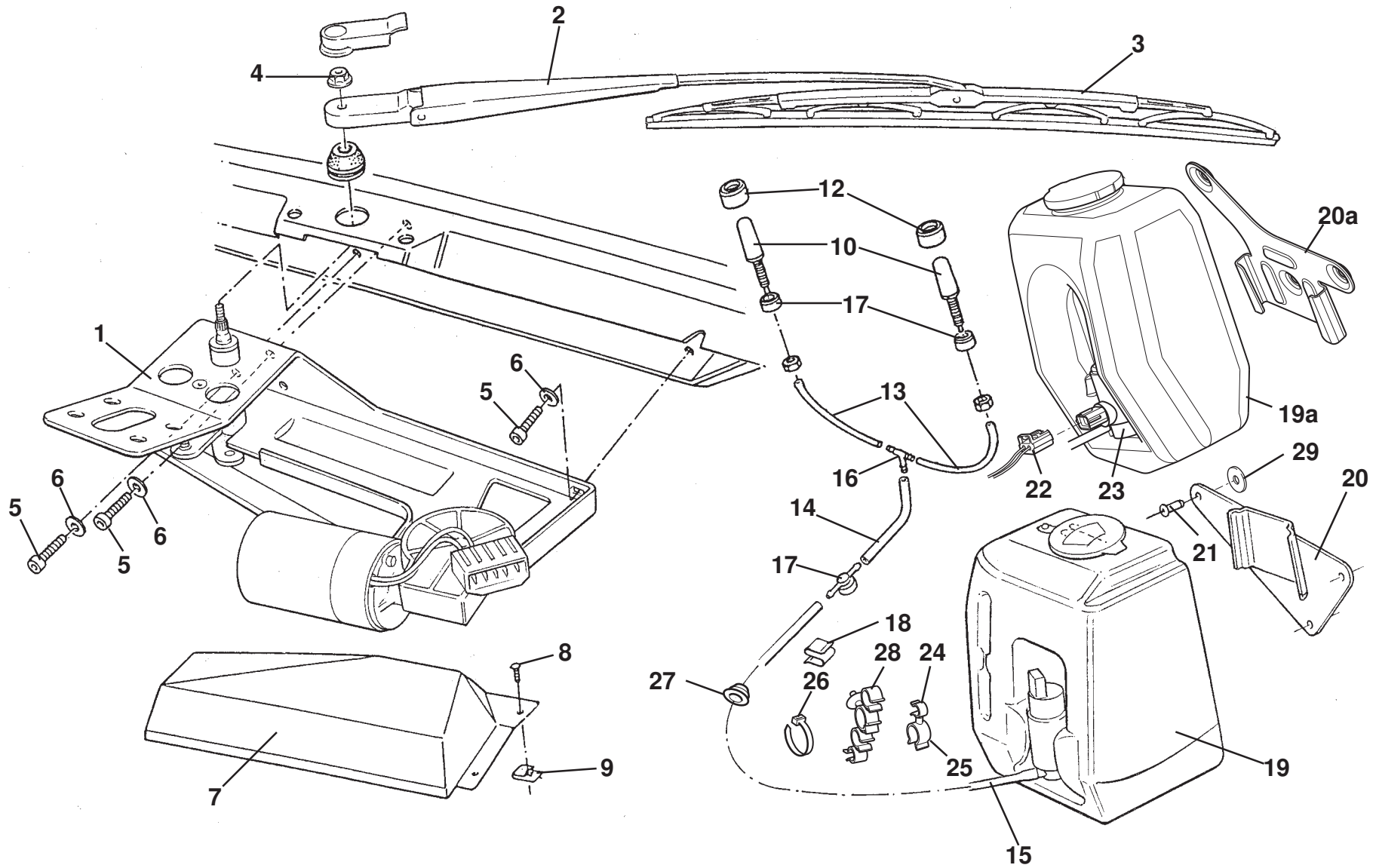
Updated 3rd January 2017

Service Parts List **ELISE**



Function Code 17.17 Interior Lamps

<u>Dep</u>	<u>Part Description</u>	<u>Remarks</u>	<u>Option</u>	<u>Part Number</u>	<u>Qty</u>
01	Interior Lamp			A082M6644F	1
02	Bulb, interior lamp, 5W	Part of bulb & fuse kit		LOTAC05345	1



ELISE
17.21

Updated 3rd March 2014

Service Parts List **ELISE**



Function Code 17.21 Windscreen Wiper Motor, Wipers & Washers

<u>Dep</u>	<u>Part Description</u>	<u>Remarks</u>	<u>Option</u>	<u>Part Number</u>	<u>Qty</u>
01	Wiper Drive Assembly, RHD			A117M0104F	1
01a	Wiper Drive Assembly, LHD			A117M0103F	1
02	Wiper Arm/Blade Assembly			B121B0057F	1
02a	Wiper Arm/Blade Assembly		Malaysian market only	A120B0556F	1
03	Wiper Blade			B120M0006H	1
04	Flange Nut, M8 x 1.25, arm to spindle			A111W3154F	1
05	Screw, M8 x 20, cap hd., motor bracket to body			A111W7141F	3
06	Washer, M8, spring, motor bracket to body			A075W4036Z	3
07	Cover, wiper motor, RHD	Also fusebox mounting	Elise	A120B0133F	1
07a	Cover, wiper motor, LHD	Also fusebox mounting	Elise	A120B0134F	1
07b	Cover, wiper motor, RHD	Also fusebox mounting	Exige	B122U0010K	1
07c	Cover, wiper motor, LHD	Also fusebox mounting	Exige	B122U0011K	1
08	Screw, No.10 x ½", pozi., cover fix.			A075W5040Z	2
09	Spire Nut No. 8, cover, wiper motor fix.			A075W6016Z	2
10	Windscreen Washer Jet		A082M6369F R/B	A120W6796F	2
11	Spacer, washer jet			A111M6046K	2
12	Sleeve, washer jet	Bonded over jet & spacer		A111M0065F	1
13	Tube, 'T' piece to jet	Cut to fit		A116M0040V	As req.

ELISE

Function Code: 17.21, Page: 1

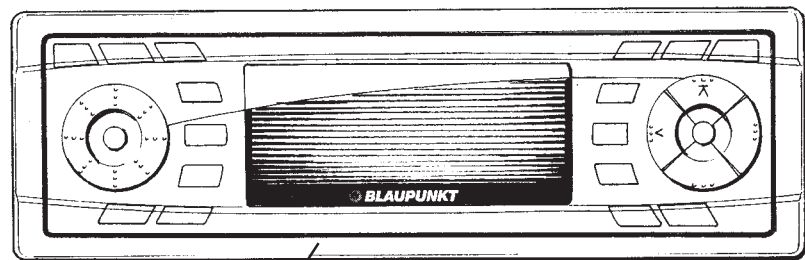
Updated 3rd January 2017

Function Code 17.21 Windscreen Wiper Motor, Wipers & Washers

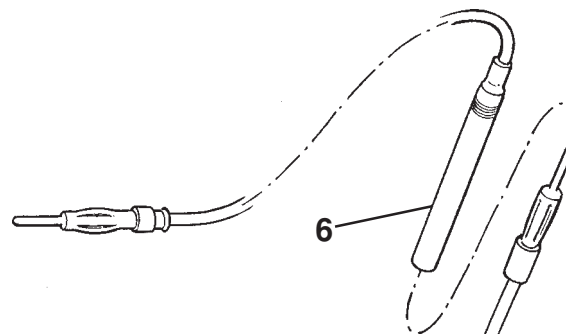
<u>Dep</u>	<u>Part Description</u>	<u>Remarks</u>	<u>Option</u>	<u>Part Number</u>	<u>Qty</u>
14	Tube, non return vave to 'T' piece	Cut to fit		A116M0040V	As req.
15	Tube, bottle to non return valve	Cut to fit		A116M0040V	As req.
16	'T' piece, washer tubing			A111M6045F	1
17	Valve, non return			A100M6062H	1
18	Clip, hose to wiper motor bracket			A079W6185F	1
19	Washer Bottle and Pump Assembly	Not available order 19a, 20a & 22 see SB 2014/02		B116M0039F	1
19a	Washer Bottle and Pump Assembly			A120M6058F	1
20	Bracket, washer bottle mounting			A117P0140F	1
20a	Bracket, washer bottle mounting			A120P0197F	1
21	Pop Rivet, bracket to boot bulkhead	Upper fixings		A111W6614F	2
21a	Pop Rivet, bracket to boot bulkhead	Lower fixing		A111W6613F	1
22	Flylead Washer Pump	Required when fitting item 19a to replace on any car fitted with item 19		A120M0090S	1
23	Washer Pump	Service replacement for pump on A120M6058F		A132U6027H	1
24	Swivel Clip Male	Sill mounting & Baffle panel mounting		A082W6587F	3
25	Swivel Clip Female	Sill mounting & Baffle panel mounting		A089W6296F	3
26	Tie Wrap	Sill mounting		A075W6038Z	3
27	Grommet			A138W6004F	1

Function Code 17.21 Windscreen Wiper Motor, Wipers & Washers

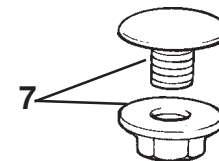
<u>Dep</u>	<u>Part Description</u>	<u>Remarks</u>	<u>Option</u>	<u>Part Number</u>	<u>Qty</u>
28	Clip Assembly	Sill mounting		A120W6756F	3
29	Washer Flat 3/16 x 3/4 x 16g	Upper fixings		B075W4009Z	2



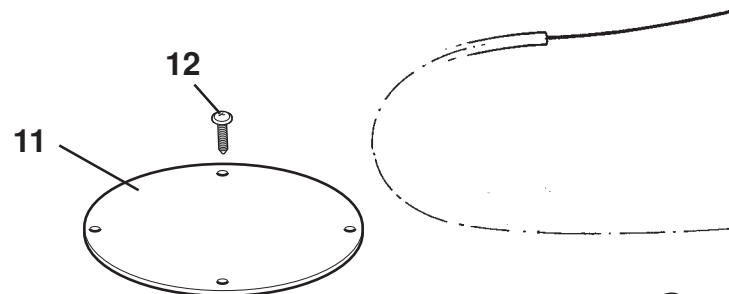
1



6

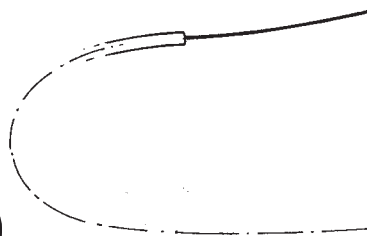


7

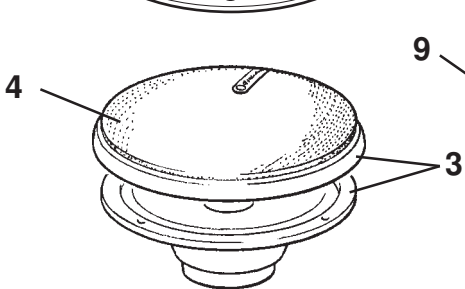


12

11



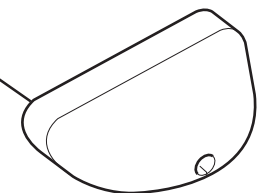
5



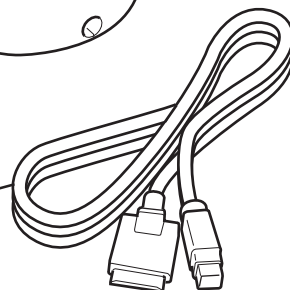
9

3

4



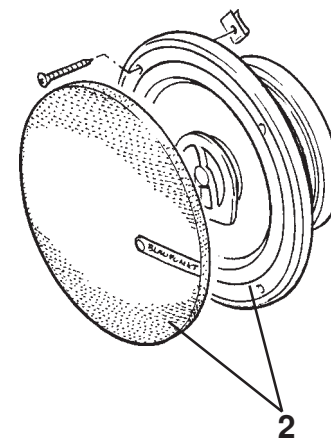
8



14

15

13



2

ELISE
17.27

Service Parts List **ELISE**



Function Code 17.27 In Car Entertainment

<u>Dep</u>	<u>Part Description</u>	<u>Remarks</u>	<u>Option</u>	<u>Part Number</u>	<u>Qty</u>
01	Radio/CD Player, Blaupunkt, DAB 54 Woodstock	Must be used with DAB Antenna/Coxial	DAB 53 A120M6004F R/B	A120M6014F	1
01a	Radio/CD Player, Blaupunkt, CD33 Lausanne	Replaced by A120M6011F		A120M6003F	1
01b	Radio/CD Player, Blaupunkt, BPV755			A120M6008F	1
01c	Radio/CD Player, Blaupunkt, CD34 Freiburg			A120M6011F	1
01d	Radio/CD Player, Blaupunkt, MP72 Los Angeles	Replaced by A120M6013F	USA/Canada	A121M6001F	1
01e	Radio/CD Player, Blaupunkt, CD34 Venice Beach	Replaces C52 Heidelberg A121M6002F	USA/Canada	A121M6010F	1
01f	Radio/CD Player, Bosch Apacpulco MP54 US		USA/Canada	A120M6013F	1
01g	Radio/CD Player, Alpine CDA-9820XM		USA, '06 MY	A121M6012F	1
01h	Radio/CD Player, Alpine CDE-9846RM (ECE Baseline)	Replaced by A120M6030F	'07 MY Euro	A120M6020F	1
01i	Radio/CD Player, Alpine CDE-9850Ri (ECE Highline)		'07 MY Euro	A120M6021F	1
01j	Radio/CD Player, Alpine CDE-9846JR (Japan Baseline)	Replaced by A120M6042F	'07 MY Japan	A120M6025F	1
01k	Radio/CD Player, Alpine CDE-9856Ji (Japan Highline)		'07 MY Japan	A120M6026F	1
01l	Radio/CD Player, Alpine CDE-9842 (SAE Baseline)		'07 MY USA/Canada	A121M6017F	1
01m	Radio/CD player, Alpine CDE-9856 (SAE Highline)	Replaced by A121M6026F	'07 MY USA/Canada	A121M6018F	1
01n	XM Tuner Box & Digital Adaptor	For Alpine CDE-9856 (SAE Highline)	'07 MY USA/Canada	A121M6019F	1
01o	Radio/CD Player, Alpine CDE-9872(SAE Highline)	Replaced by A121M6028F	'07 MY USA/Canada	A121M6026F	1
01p	Radio/CD Player, Alpine CDE-9870R	Replaced by A120M6033F	Euro	A120M6030F	1

ELISE

Function Code: 17.27, Page: 1

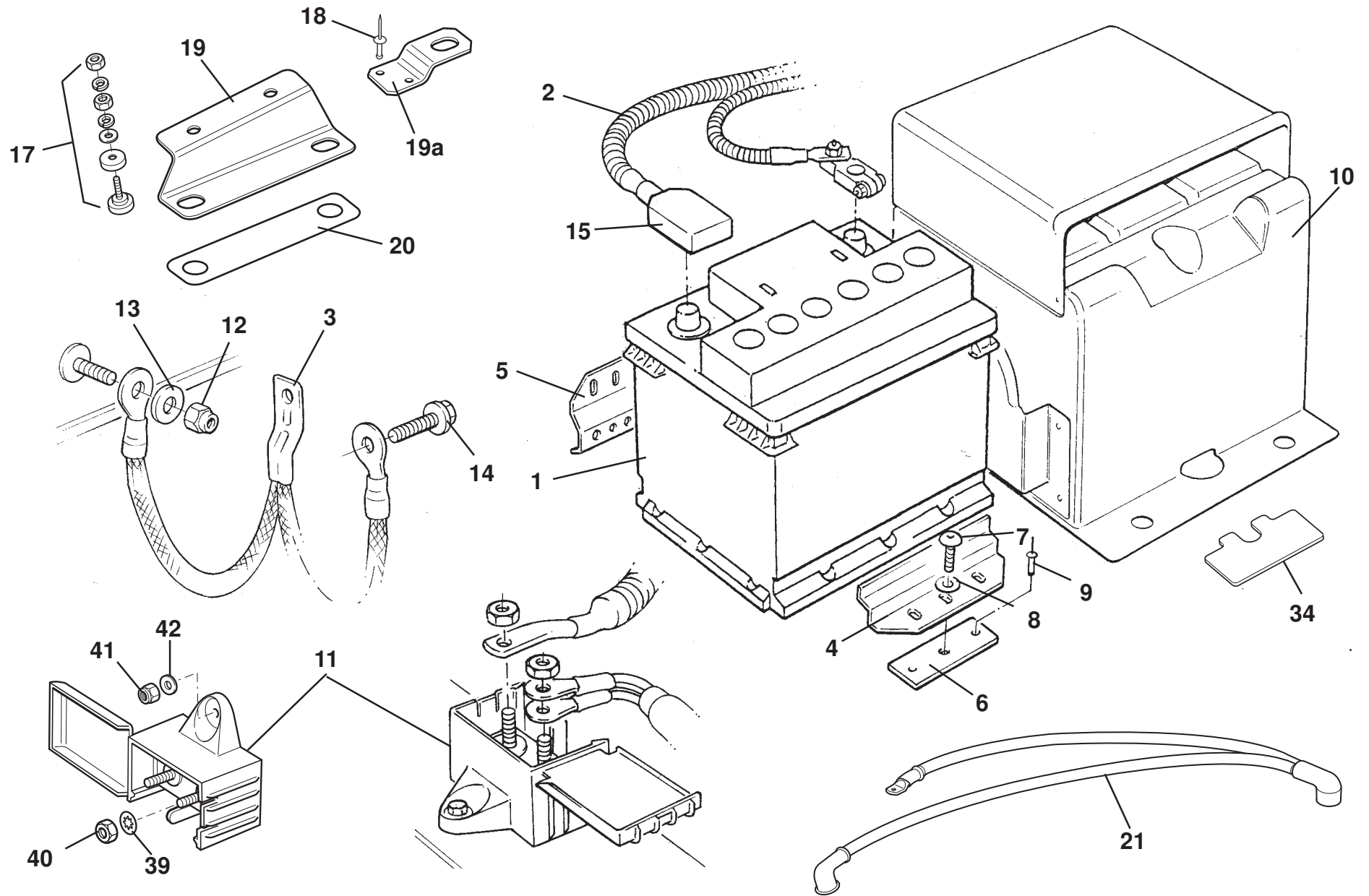
Updated 3rd January 2017

Function Code 17.27 In Car Entertainment

Dep	Part Description	Remarks	Option	Part Number	Qty
01q	Radio/CD Player, Alpine CDE-9872RM	Replaced by A120M6040F	Euro	A120M6033F	1
01r	Radio/CD Player, Alpine CDE-9872J	Replaced by A120M6042F	Japan	A120M6034F	1
01s	Radio/CD Player, Alpine CDE-101RM	Replaced by A120M6045F	Euro	A120M6040F	1
01t	Radio/CD Player, Alpine CDE-102Ji		Japan,	A120M6042F	1
01u	Radio/CD Player, Alpine CDE-102		USA/Canada	A121M6028F	1
01v	Radio/CD Player, Alpine CDE-111RM		Euro	A120M6045F	1
02	Speaker Kit, rear, Blaupunkt GTX542			A120M6006F	1
02a	Speaker Kit, rear, Blaupunkt BGX 542			A120M6015F	1
02b	Speaker Kit, rear, Alpine SPE-1302		'07 MY	A120M6023F	1
03	Speaker Kit, front, Blaupunkt ODX 102		A120M6012F R/B	A120M6016F	1
03a	Speaker, front, Alpine CO-AX ALP10CM	Speaker only no grille		A120M0093F	2
04	Grilles, front speakers (pair)		USA/Canada	A121M6008F	1
04a	Aluminium Ring, speaker grille	Not illustrated	USA/Canada, accessory	A121M6015S	2
04c	Grille, front speaker Alpine	Also use as dummy grille for cars without speakers		A120M0092F	2
05	Antenna, di pole, analogue			A120M0018F	1
05a	Antenna, di pole, DAB	Can also be used with Analogue Radio's		A120M0021F	1
05b	Antenna, XM satellite radio	For item 01g	USA, '06 MY	A121M6013F	1
05c	Antenna, XM satellite radio	For item 01m	'07 MY USA	A121M6021F	1
06	Co-axial Cable, antenna, analogue			A120M0019F	1

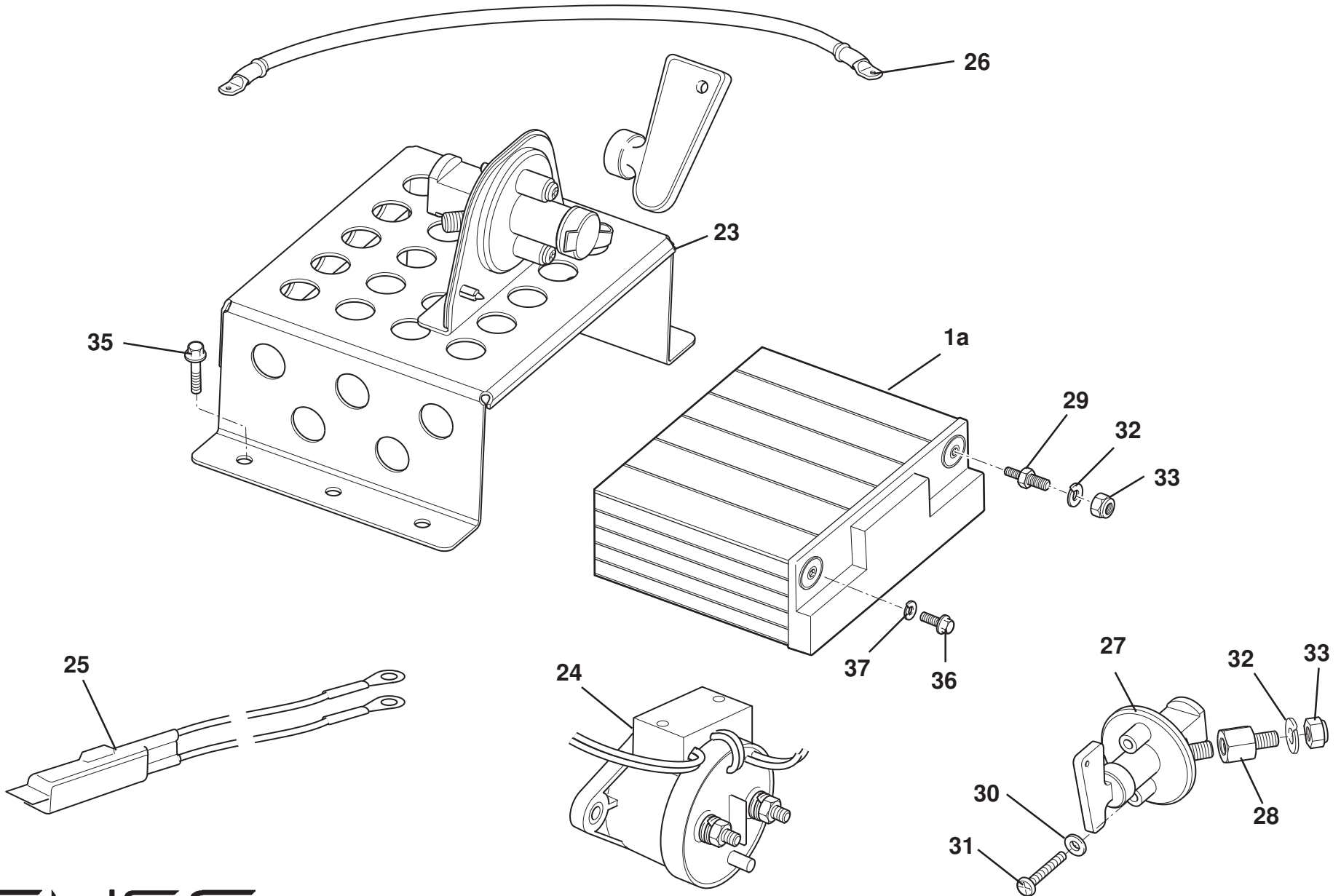
Function Code 17.27 In Car Entertainment

<u>Dep</u>	<u>Part Description</u>	<u>Remarks</u>	<u>Option</u>	<u>Part Number</u>	<u>Qty</u>
06a	Co-axial Cable, antenna, DAB	Can also be used with Analogue Radio's		A120M0022F	1
07	Blanking Plug, engine cover unused aerial hole			A117U6010F	1
07a	Grommet, co-axial cable	Not illustrated, for item 6		A116W6733F	1
08	iPod Adaptor, Alpine KCE-422i	For use with Alpine CDE-9872RM		A120M6024F	1
08a	iPod Adaptor, Alpine KCE-433i	Not illus. For use with Alpine CDE-101RM, CDE-111RM & CDE-102		A120M6041F	1
09	iPod Holder, foam			A120U0094F	1
10	Tape, 3M Superbound 396, antenna to clamshell	Not illus. sold per roll (32M)		A120M6007V	As req.
12	Screw, No.8, blanking panel fix.			A075W5050Z	8
13	Blanking Panel, rear speakers			A122U0041K	2
14	Screw, No.6 x 0.75", blanking panel fix.			A075W5028Z	8
15	Spire Nut, No.8, blanking panel fix.			A075W6016Z	8



ELISE
17.31 page1

Updated 3rd November 2014



ELISE
17.31 page2

Updated 3rd February 2014

Service Parts List **ELISE**



Function Code 17.31 Battery, Clamps, & Cables

<u>Dep</u>	<u>Part Description</u>	<u>Remarks</u>	<u>Option</u>	<u>Part Number</u>	<u>Qty</u>
01	Battery, Exide W063Z, 46Ah			A120M6017F	1
01a	Battery, Odyssey PS680 (lightweight)		Exige Cup 260,Exige Club Racer 11MY	A127M6004F	1
02	Harness, battery, +VE & -VE		Common	B120M0007F	1
03	Earth Braid, chassis to engine/tranmission assy.			A120M0008F	1
04	Retaining Clamp, inboard			A120M0014F	1
05	Retaining Clamp, outboard			A120M0015F	1
06	Nutplate, retaining clamps			A120M0016F	2
07	Screw, M8, skt. button hd.,clamp fix.			A075W7022F	1
08	Washer, flat, M8 x 16.6 x 1.4, clamp fix.			A075W4020Z	1
09	Pop Rivet, nutplate to boot floor			A111W6614F	4
10	Battery Cover/Handbook Holder			A120U0033J	1
10a	Battery Cover/Handbook Holder		Exige Cup 260,Exige Club Racer 11MY	A120M0072F	1
11	Binding Post Assembly	Scuttle & electrics mounting plate		A340M6007F	2
12	Nyloc Nut, M8	Front & rear earth points		A075W3010Z	2
13	Washer, flat, M8 x 16.6 x 1.4			A075W4020Z	2
14	Screw, M8 x 20, flg. hd., braid to transmission casing			A116W5246F	1
15	Cover, battery postive terminal, red			A120M6035S	1

ELISE

Function Code: 17.31, Page: 1

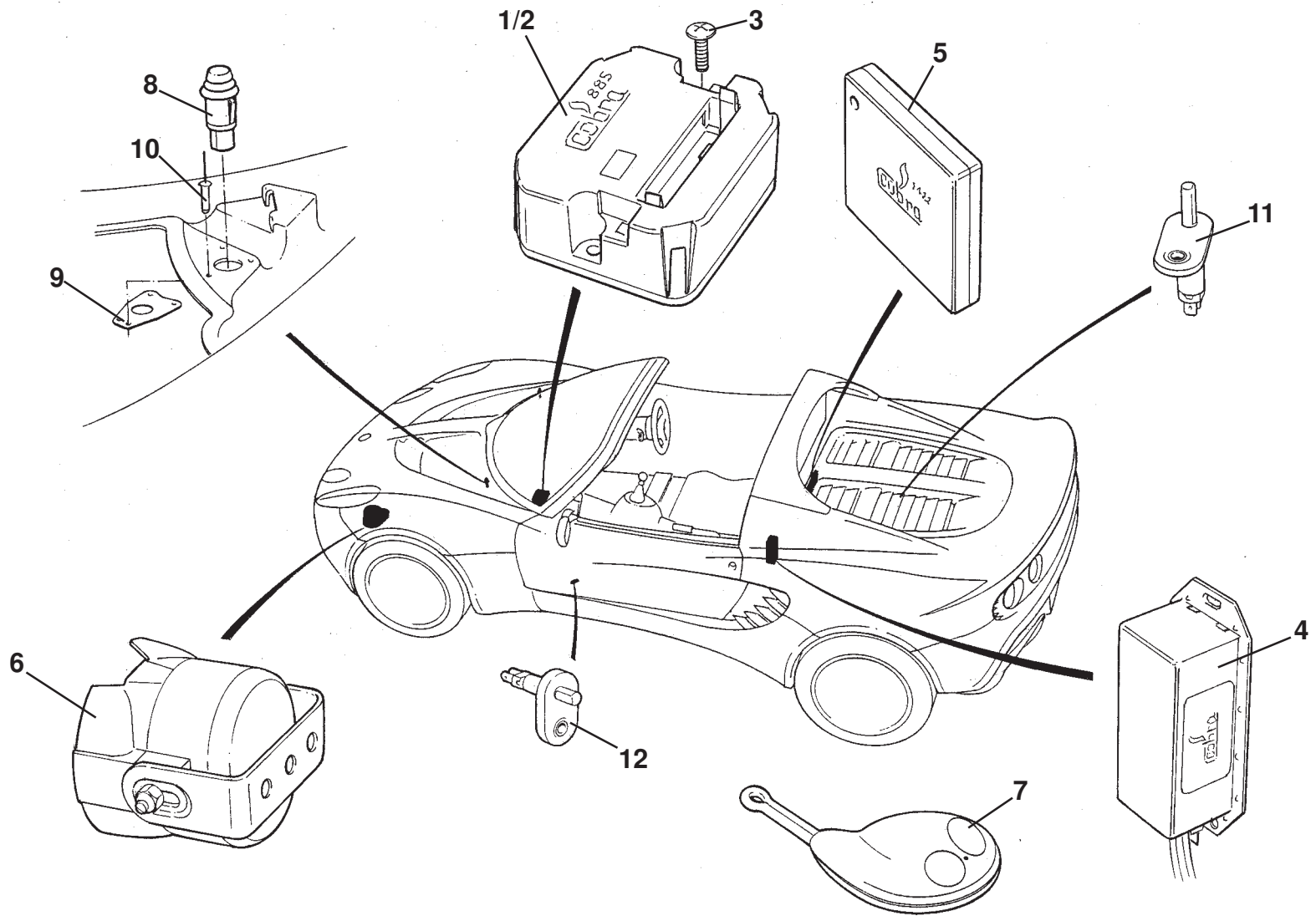
Updated 3rd January 2017

Function Code 17.31 Battery, Clamps, & Cables

<u>Dep</u>	<u>Part Description</u>	<u>Remarks</u>	<u>Option</u>	<u>Part Number</u>	<u>Qty</u>
16	Battery Cable, isolator switch	For switch see 17.03	Exige option	A128M0004F	1
17	Binding post, CDL power up (jumper cable connection)	Located front services compartment		A089M6033F	2
18	Pop Rivet, 5/32 x 1/2 , battery post bracket	Located front services compartment		A075W6068F	2
19	Bracket, battery post	Located front services compartment		C122B0147F	1
20	Shim, battery post bracket		Exige	A122B0148F	1
21	Cable, starter to alternator			B120M0009F	1
22	Rubber Mat, battery	Not illustrated, located under inboard edge of battery		A120M0024F	1
23	Bracket Assembly, lightweight battery retention	Includes switch	Exige Cup 260,Exige Club Racer 11MY	A120M0076F	1
23a	Bracket, lightweight battery retention		Exige Cup 260	A128M0006K	1
24	Battery Isolator Unit		Exige option	A128M6001F	1
25	Battery Isolator Spike Suppressor		Exige option	A128M6002F	1
26	Battery Cable, lightweight battery option		Exige Cup 260,Exige Club Racer 11MY	A120M0070F	1
27	Switch, battery master		Exige Cup 260,Exige Club Racer 11MY	A127M6001F	1
28	Adaptor, M10 female to M8 male		Exige Cup 260,Exige Club Racer 11MY	A120M0068F	1
29	Adaptor, M6 to M8 male		Exige Cup 260,Exige Club Racer 11MY	A120M0069F	1

Function Code 17.31 Battery, Clamps, & Cables

<u>Dep</u>	<u>Part Description</u>	<u>Remarks</u>	<u>Option</u>	<u>Part Number</u>	<u>Qty</u>
30	Washer M5 shakeproof, battery master swich		Exige Cup 260,Exige Club Racer 11MY	A075W4045H	2
31	Screw M5 x 40 pan pozi, battery master swich		Exige Cup 260,Exige Club Racer 11MY	A100W5154H	2
32	Washer M8 Spring		Exige Cup 260,Exige Club Racer 11MY	A075W4036F	2
33	Nut Nyloc M8		Exige Cup 260,Exige Club Racer 11MY	A907E6284F	2
34	Plate, battery cover retaining		Exige Cup 260,Exige Club Racer 11MY	A120M0074F	1
35	Screw M6 x 20 hex flg			A132W5004F	4
36	Screw M6 x 16 hex flg			A075W1028Z	1
37	Washer M6 spring			A075W4035Z	1
38	Rubber Self-adhesive 1"x 1/8	Not illustrated 4 strips on battery bracket	Exige Club Racer	A036B6221F	0.7m
40	Nut M8			A075W3021Z	2
41	Washer Shakeproof M8			A075W4048Z	2
41	Nyloc M5, battery post			A075W3008Z	1
42	Washer Flat 3/16 x 1/2 x16, battery post			A075W4000Z	1



ELISE
17.33a

Updated 9th June 2011

Service Parts List **ELISE**



Function Code 17.33a Security Alarm System, Cobra

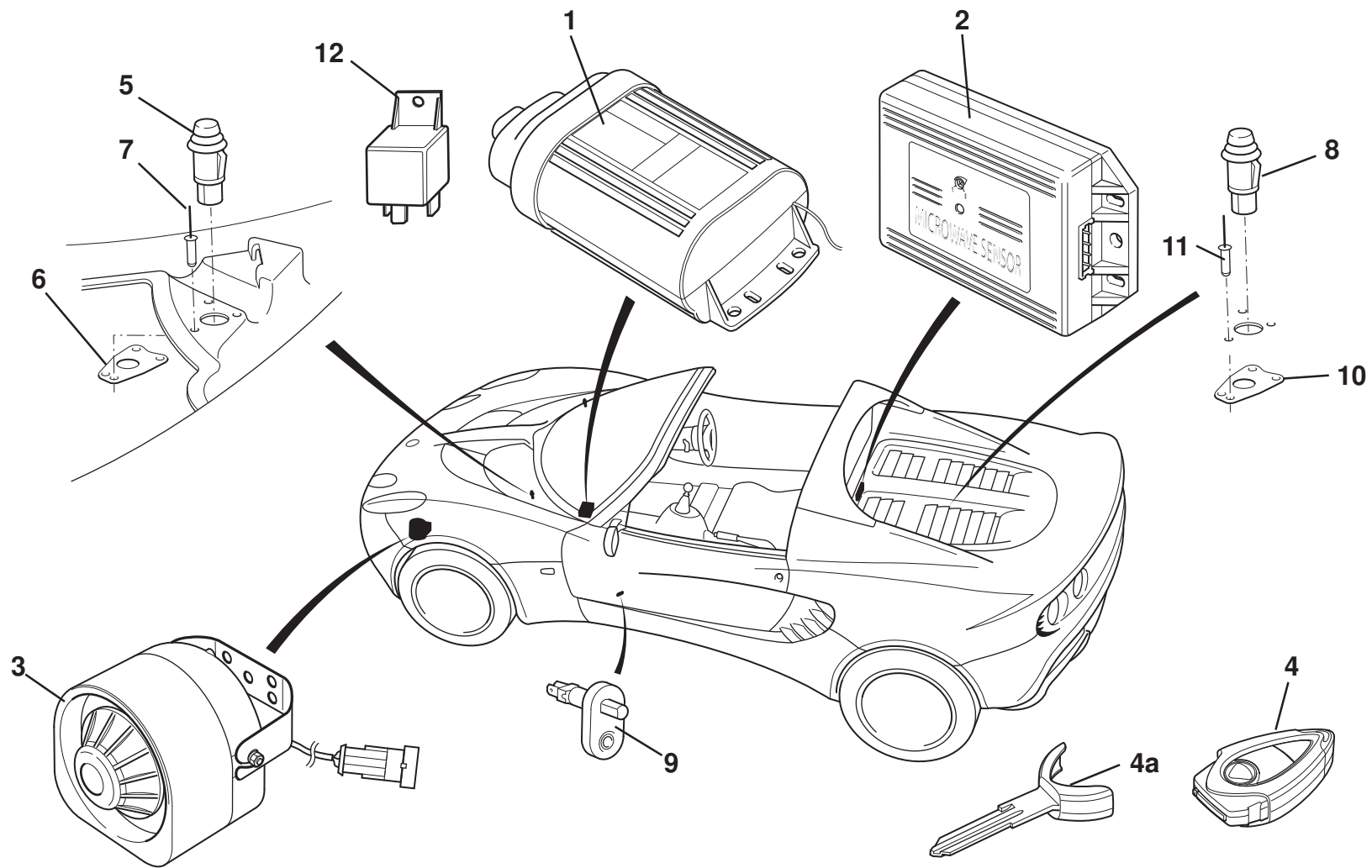
<u>Dep</u>	<u>Part Description</u>	<u>Remarks</u>	<u>Option</u>	<u>Part Number</u>	<u>Qty</u>
01	Cobra Alarm Kit, 8186, with CDL	Comprises: controller, immobiliser, keys, plus items 5/6		B117M6063F	1
02	Controller, 8186 system	Programmed for siren & microwave sensor		A117M6049S	1
03	Screw, No.8 x 3/8", pan hd. pozi, controller to chassis			A075W5031Z	2
04	Immobiliser		All cars	A117M6050S	1
05	Microwave Sensor			A117M6048S	1
06	Siren			A117M6047S	1
07	Transmitter Key, casing and components		All cars	A111M6100S	2
07a	Transmitter Key, casing		All cars	A142M6000S	2
08	Microswitch, alarm activation			A111M6037F	2
09	Bracket, front switch mounting			A120B0127F	2
10	Pop Rivet, domed, black, front brackets to clamshell			A082W6512F	6
11	Microswitch alarm activation, engine cover	Also for courtesy lamp		A111M6035F	1
12	Microswitch alarm activation, doors			A111M6035F	2
13	Cover Assembly, alarm module	Not illustrated		A117M0148J	1
14	Bracket/Shield, siren	Not illustrated		A117M6091S	1

*NOTE: For full information on all Lotus Security Systems, see LSL483g

ELISE

Function Code: 17.33a, Page: 1

Updated 1st December 2014



ELISE
17.33b

Updated 3rd March 2014

Service Parts List **ELISE**



Function Code 17.33b Security Alarm System, PFK, Parking Sensors & Camera

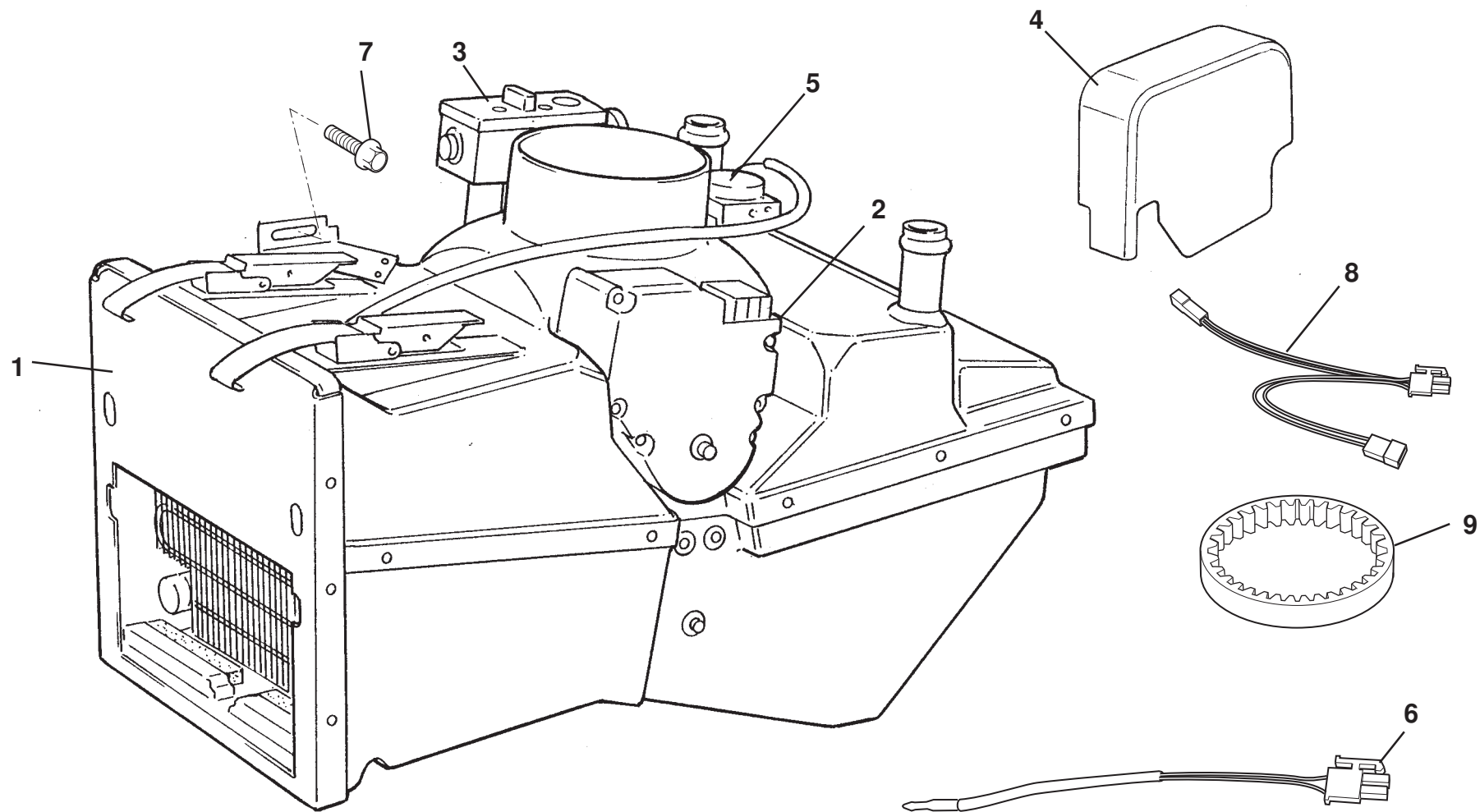
<u>Dep</u>	<u>Part Description</u>	<u>Remarks</u>	<u>Option</u>	<u>Part Number</u>	<u>Qty</u>
01	Controller, PFK	Includes 2 transmitter fobs		A132M0117F	1
01a	Alarm Kit, PFK	Includes CDL module		B121M0050F	1
02	Microwave Sensor, PFK			A120M0047F	1
03	Siren, PFK	Includes bracket, fixings, if unavailable order 01a		A132M6082F	1
04	Transmitter Fob	Programme transmitter using PIN*		A120M0049F	2
04a	Key Blade, uncut			A120H0008S	2
04b	Key Blade, cut*	Order from Bolton Lock		A120H0009S	2
05	Microswitch, alarm activation, front access covers			A111M6037F	2
06	Bracket, front microswitch mounting			A120B0127F	2
07	Pop rivet, domed, black, brackets to clamshell			A082W6512F	6
08	Microswitch, alarm activation, engine cover	Located in striker/lift assembly		A111M6037F	1
09	Microswitch, alarm activation, doors	Also for courtesy lamp		A111M6035F	2
10	Bracket, rear microswitch mounting			A120B0127F	1
11	Pop rivet, domed, black, bracket to clamshell			A082W6512F	3
12	Tilt Sensor		Dutch Market	A132M6119F	1

*NOTE: For full information on all Lotus Security Systems, see LSL483g

ELISE

Function Code: 17.33b, Page: 1

Updated 3rd January 2017



ELISE
18.01

Updated 1st September 2014

Service Parts List **ELISE**

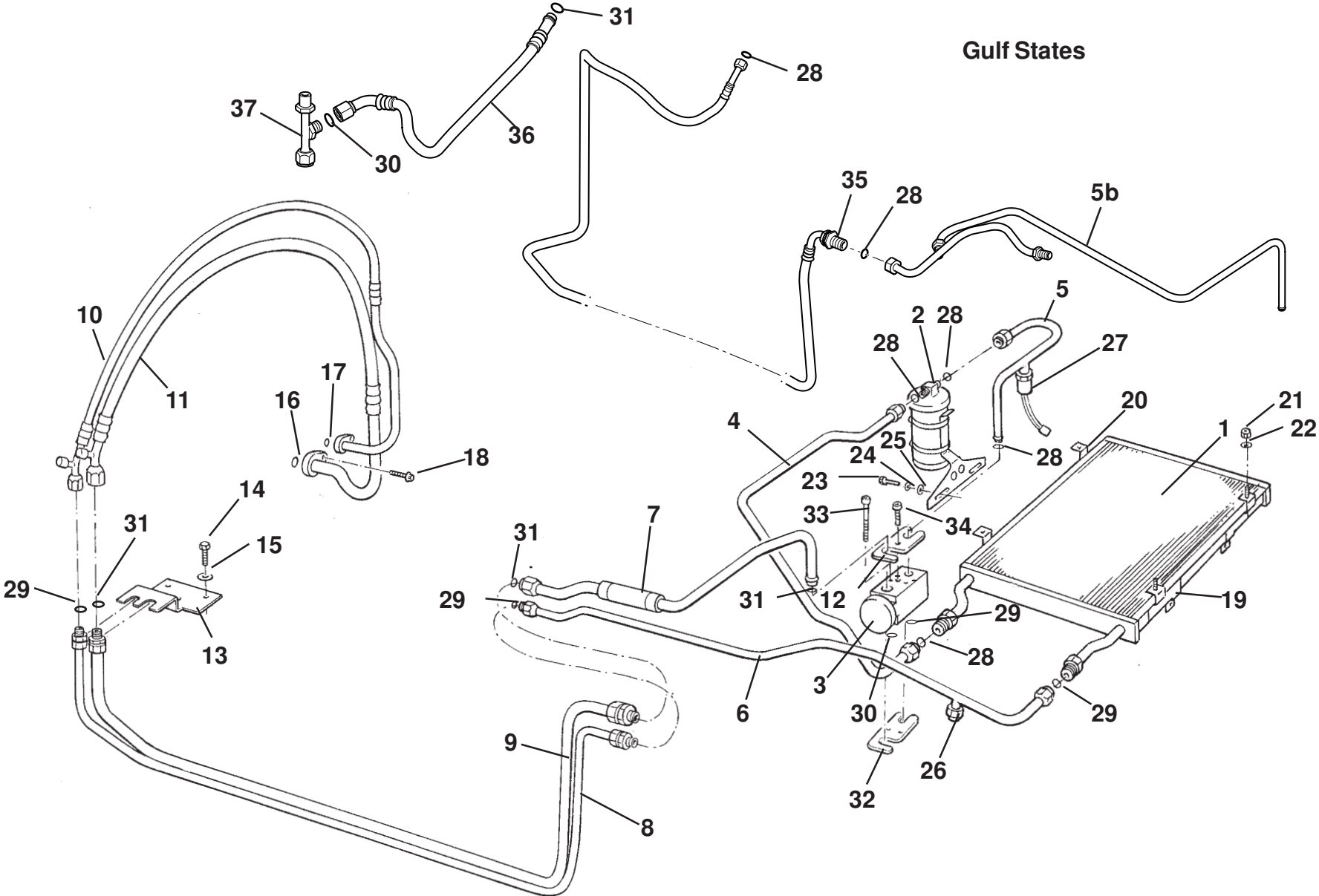


Function Code 18.01 Heater/ Air Conditioning Assemblies, Housings

<u>Dep</u>	<u>Part Description</u>	<u>Remarks</u>	<u>Option</u>	<u>Part Number</u>	<u>Qty</u>
01	Heater/AC Housing Assembly	Includes blower motor resistor*	1ZZ, 2ZZ	A120P0018F	1
01a	Heater Housing Assembly		Prior to VIN: 7 32042	A117P0124F	1
01b	Heater Housing Assembly	Includes blower motor resistor*	From VIN: 7 32042	A120P0019F	1
02	Actuator, heater/AC flaps			A117M6052S	1
03	Expansion Valve	See 18.03	1ZZ, 2ZZ		1
04	Cover, actuator			A117P0158K	1
05	Thermostat kit	Includes temperature probe/tube	1ZZ, 2ZZ	A120P0149S	1
07	Screw, M6 x 20, hex. flg. hd., AC/htr. assy. to chassis			A117W2203F	2
08	Jumper Harness, HVAC module/locator			A120P0191S	1
09	Drive Belt, heater flap			A117P6001S	1
10	Jumper Harness, blower motor*	P/O kit A120P0148S, see 18.07a		A120P0150S	1

* See Service Bulletin 2007/13

Gulf States



ELISE
18.03

Updated 3rd January 2017

Service Parts List **ELISE**



Function Code 18.03 AC Components, Pipes, Hoses

<u>Dep</u>	<u>Part Description</u>	<u>Remarks</u>	<u>Option</u>	<u>Part Number</u>	<u>Qty</u>
01	Condenser, Sanden	Cylindrical tanks*	All replacements	A117P0042H	1
01a	Condenser, Tripac		Gulf States	A117P0130H	1
02	Receiver Drier/Bracket Assembly			A117P0060F	1
02a	Receiver Drier Assembly		Gulf States	A120P6007F	1
02b	Bracket, receiver drier assembly		Gulf States	A120P0162F	1
02c	Bracket stud Plate, receiver drier assembly		Gulf States	A120P0163F	1
03	Expansion Valve		1ZZ, 2ZZ	A117P0122S	1
04	Refrigerant Pipe, receiver drier to condenser, LHD			A120P0007F	1
04b	Refrigerant Pipe, receiver drier to condenser, RHD			B120P0006F	1
04c	Refrigerant Pipe, receiver drier to condenser		Gulf States	A120P0152F	1
05	Refrigerant Pipe, receiver drier to expansion valve, LHD			A120P0005F	1
05b	Refrigerant Pipe, receiver drier to expansion valve, RHD			A117P0049F	1
05d	Refrigerant Pipe, receiver drier to TXV & bodyside		Gulf States	A120P0151F	1
06	Refrigerant Pipe, condenser to sill connection			B117P0051F	1
06a	Refrigerant Pipe, condenser to sill connection		Gulf States	A120P0177F	1
07	Refrigerant Pipe, expansion valve to sill connection, LHD			B120P0009F	1
07a	Refrigerant Pipe, expansion valve to sill connection, RHD			B117P0047F	1
07b	Refrigerant Pipe, TXV to bodyside suction		Gulf States	A120P0153F	1

ELISE

Function Code: 18.03, Page: 1

Updated 3rd January 2017

Function Code 18.03 AC Components, Pipes, Hoses

<u>Dep</u>	<u>Part Description</u>	<u>Remarks</u>	<u>Option</u>	<u>Part Number</u>	<u>Qty</u>
08	Refrigerant Pipe, high pressure, rear to front connections		Production build	A117P0138F	1
08b	Refrigerant Hose, high pressure, rear to front connections	See Service Bulletin 2006/33	Service only	A120P0025S	1
09	Refrigerant Pipe, suction line, rear to front connections		Production build	A117P0139F	1
09b	Refrigerant Hose, suction line, rear to front connections	See Service Bulletin 2006/33	Service only	A120P0024S	1
10	Pipe/Hose Assembly, compressor discharge			C120P0003F	1
11	Pipe/Hose Assembly, compressor suction			C120P0001F	1
12	Clamp Plate, pipes to expansion valve			A082P4402F	1
13	Bracket, pipes to chassis RH rear			A120P0010F	1
13a	Bracket, HVAC pipes to chassis rail		Gulf States	A120P0179F	1
14	Screw M6 x 20, hex. hd., plate to chassis			A117W2203F	3
15	Washer M6 x 25 x 1.4mm S/S, flat, plate to chassis			B075W4017Z	3
16	'O' Ring, compressor to suction line			A120P6002H	1
17	'O' Ring, compressor to discharge line			A120P6001H	1
18	Screw M6 x 20, skt cap hd., pipes to compressor			A082W7041F	2
19	Bracket, condenser to radiator, front	For square tank condenser		A117P0098H	1
19a	Bracket, condenser to radiator, front	For cylindrical tank condenser		A124P6005S	1
20	Bracket, condenser to radiator, rear	For square tank condenser		A117P0099H	1
20a	Bracket, condenser to radiator, rear	For cylindrical tank condenser		A124P6006S	1
21	Nyloc Nut, M6, condenser to radiator front			A075W3009Z	2
22	Washer, flat, M6, condenser to radiator front			A075W4013Z	2
23	Screw, M6 x 16, hex. hd., bracket to chassis			A075W1028Z	2

ELISE

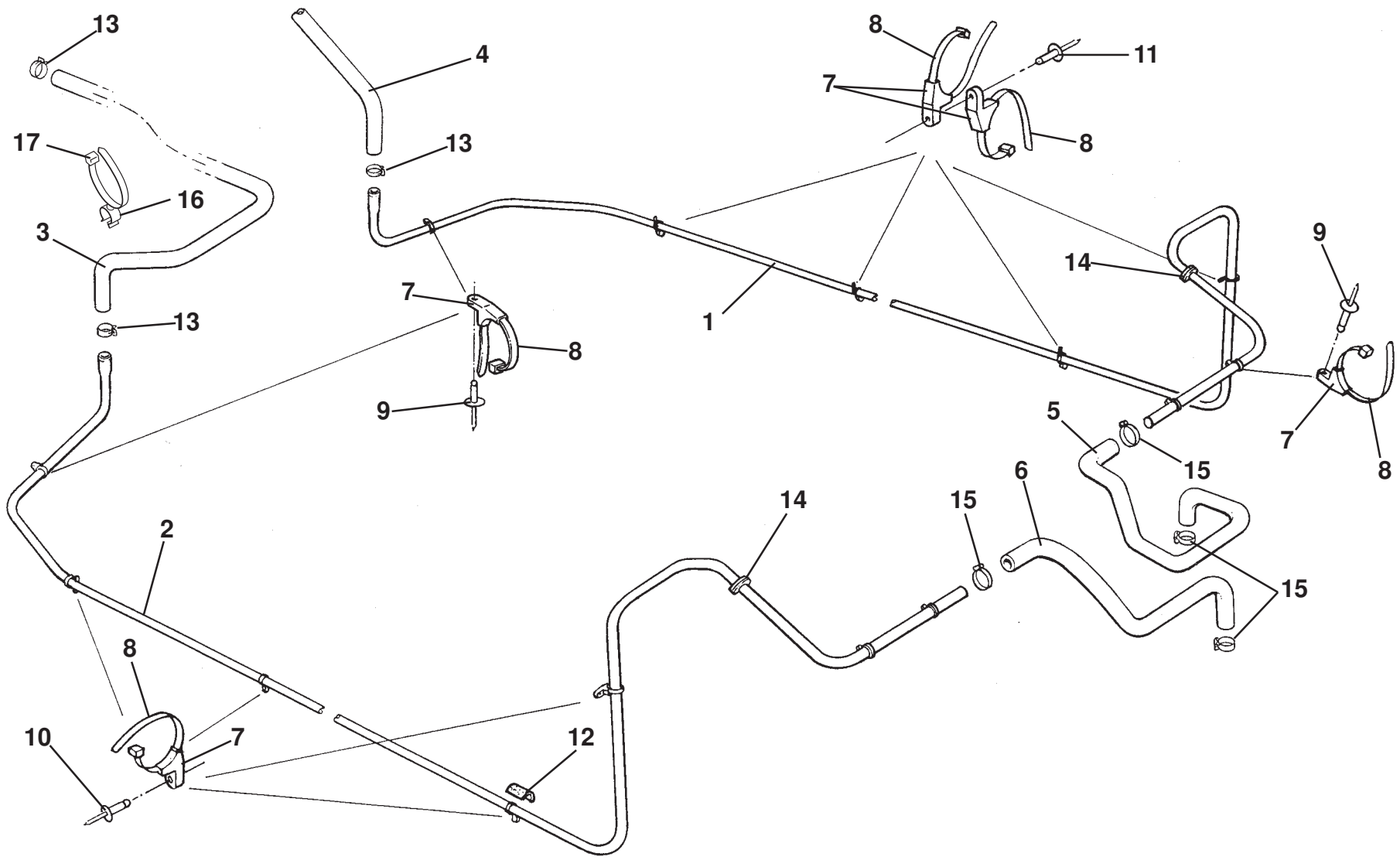
Function Code: 18.03, Page: 2

Updated 3rd January 2017

Function Code 18.03 AC Components, Pipes, Hoses

<u>Dep</u>	<u>Part Description</u>	<u>Remarks</u>	<u>Option</u>	<u>Part Number</u>	<u>Qty</u>
24	Washer, spring, M6, bracket to chassis			A075W4035Z	2
25	Washer, flat, M6 x 12.1 x 1.4, bracket to chassis			A075W4013Z	2
26	Pressure Relief Valve			A111P6030H	1
27	Trianary Switch			A117P0059F	1
28	'O' Ring, No. 6, pipe joints			A082P6078F	4
29	O' Ring, No, 8, pipe joints, expansion valve to evaporator			A082P6079F	4
30	'O' Ring, No 10, expansion valve to evaporator			A082P6080F	1
31	'O' Ring, No.12, pipe joints			A082P6081F	3
32	Clamp Plate, valve to evaporator			A082P4401F	1
33	Screw, M5 x 40, cap hd. skt., valve to clamp			A100W7081F	2
34	Screw, M6 x 16, cap hd. skt., clamp to valve			A075W7017F	1
35	Hose, aux ac unit rear to front bodyside		Gulf States	A120P0155F	1
36	Hose, suction line to aux ac unit		Gulf States	B120P0156F	1
37	Tee connector Assembly, suction line		Gulf States	B120P0154F	1

*Note: if replacing a square tank
type condenser with the
cylindrical tank type; brackets
19a/20a are required



ELISE
18.05

Updated 1st May 2014

Service Parts List **ELISE**



Function Code 18.05 Heater, Pipes, Hoses

<u>Dep</u>	<u>Part Description</u>	<u>Remarks</u>	<u>Option</u>	<u>Part Number</u>	<u>Qty</u>
01	Pipe, heater return, LH			C116K0020F	1
02	Pipe, heater feed, RH			C116K0022F	1
03	Hose, re-circ pump to feed pipe			B120K0003F	1
04	Hose Assembly, return pipe to engine	Also see 46.01, includes bleed		E120K0004F	1
05	Hose, heater outlet, RHD			A117P0023F	1
05a	Hose, heater outlet, LHD			A117P0024F	1
06	Hose, heater inlet, RHD			A117P0021F	1
06a	Hose, heater inlet, LHD			A117P0022F	1
07	Saddle Clip, cable tie, pipes to chassis			A082W6324F	14
08	Cable Tie, pipes retention			A075W6038F	14
09	Blind Rivet, saddle clamp to chassis			A085W6259F	6
10	Blind Rivet, saddle clamp to chassis			A111W6613F	6
11	Blind Rivet, saddle clamps to chassis			A111W6614F	4
12	Foam Strip, self adhesive, pipe protection			A082U6067F	As req.
13	Hose Clamp, 41mm, hoses to pipes/spigots			A116K6016F	4
14	Grommet, pipes through baffle			A111P0003K	2
15	Hose Clip, hoses to pipes/heater spigots			A079K6019Z	4
16	Swivel Clip			A116W6692F	1

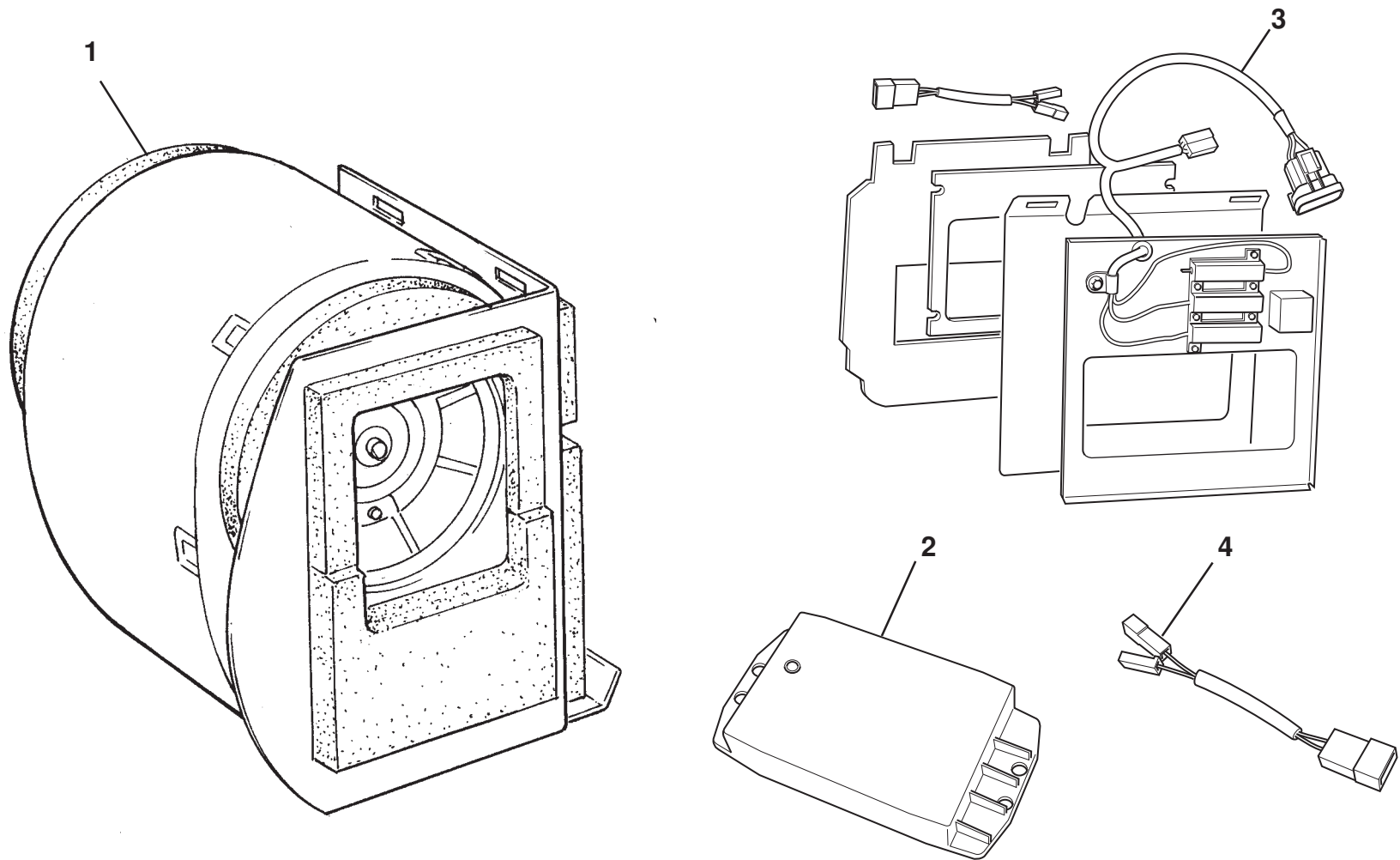
ELISE

Function Code: 18.05, Page: 1

Updated 3rd January 2017

Function Code 18.05 Heater, Pipes, Hoses

<u>Dep</u>	<u>Part Description</u>	<u>Remarks</u>	<u>Option</u>	<u>Part Number</u>	<u>Qty</u>
17	Swivel Clip, tie wrap			A082W6324F	1
18	Clip, cable tie, front pipes securing			A120W6779F	2



ELISE
18.07a

Updated 16th January 2013

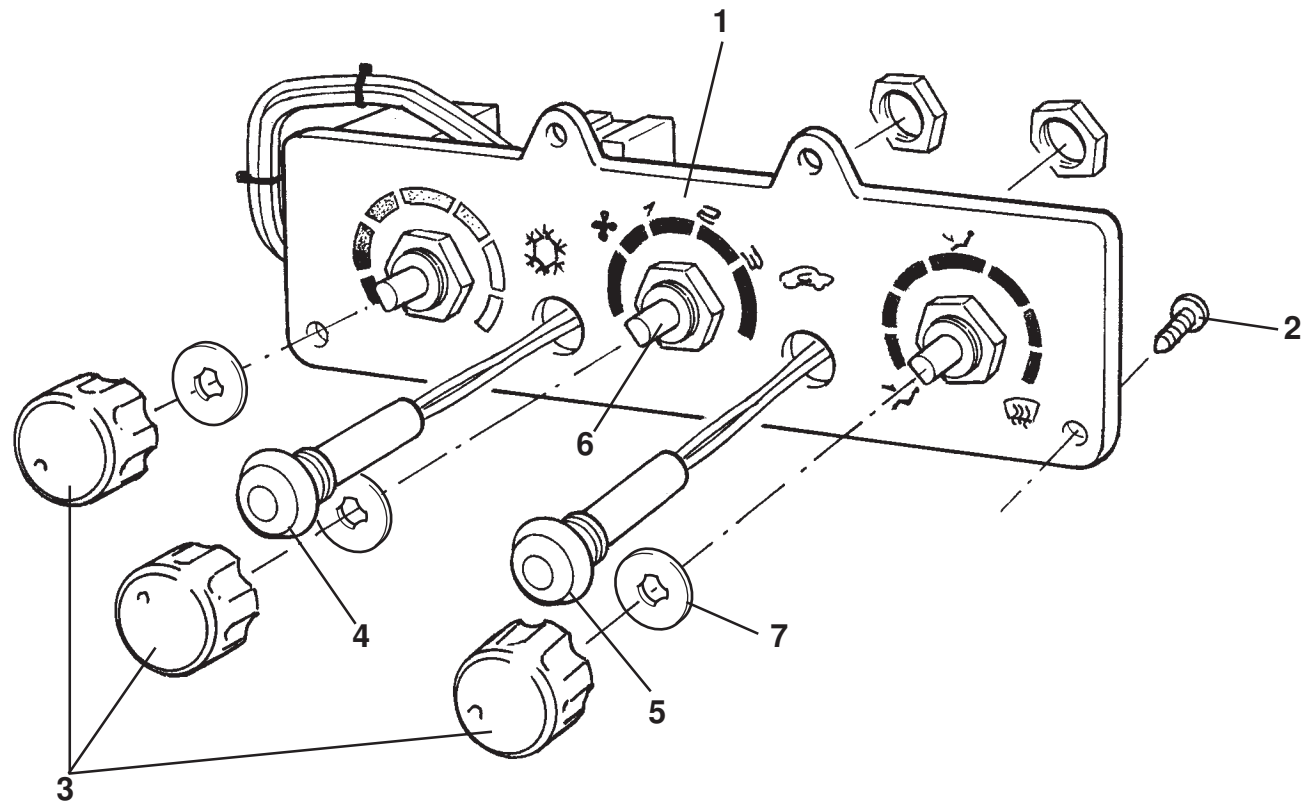
Service Parts List **ELISE**



Function Code 18.07a AC Interior Blower Motor

<u>Dep</u>	<u>Part Description</u>	<u>Remarks</u>	<u>Option</u>	<u>Part Number</u>	<u>Qty</u>
01	Blower & Motor Assembly, LHD,RHD	External resistor*		B117P0025F	1
01a	Blower & Motor Assembly	Without resistor*	From VIN: 7 32042	B117P0163F	1
02	Resistor, blower motor			A117P6000S	1
03	Resistor Kit, blower motor			A120P0148S	1
04	Jump Harness, motor to resistors	Remove resistor to blower item 01*		A120P0150S	1
05	Assemby HVAC Blower Motor	Not illustrated, to be used with fresh air filter housing	Gulf states	A120P0158F	1

* See Service Bulletin 2007/13



ELISE

18.09a

Updated 3rd February 2014

Service Parts List **ELISE**



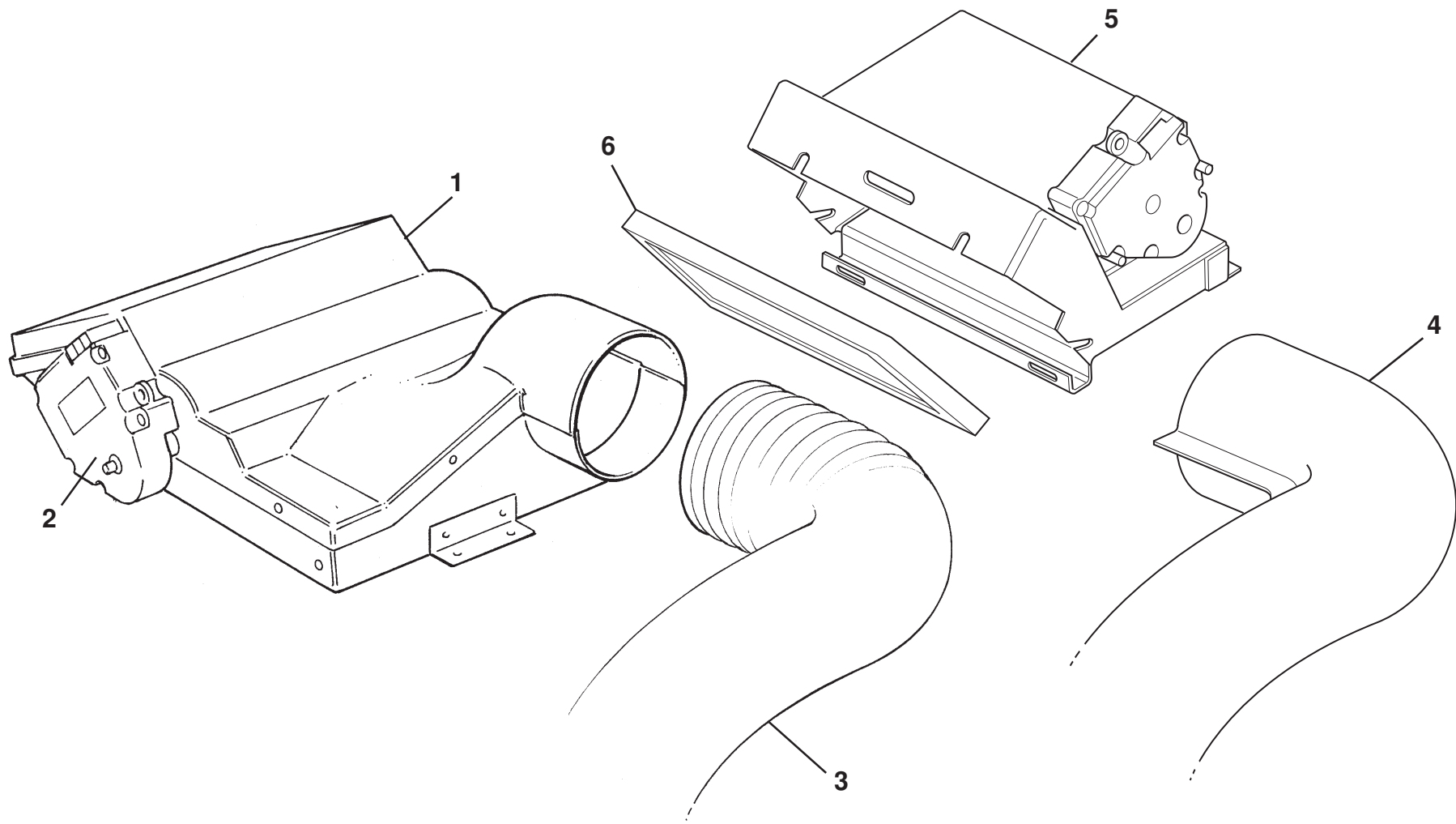
Function Code 18.09a AC/Heater Driver Operated Controls

<u>Dep</u>	<u>Part Description</u>	<u>Remarks</u>	<u>Option</u>	<u>Part Number</u>	<u>Qty</u>
01	Switch Panel Assembly, AC, RHD	Incl. temp, fan & dist. Switches	AC cars	A117P0147F	1
01a	Switch Panel Assembly, AC, LHD	Incl. temp, fan & dist. Switches	AC cars	A117P0146F	1
01b	Switch Panel Assembly, illuminated, AC, RHD	Incl. temp, fan & dist. Switches	AC cars	A120P0020F	1
01c	Switch Panel Assembly, illuminated, AC, LHD	Incl. temp, fan & dist. Switches	AC cars	A120P0021F	1
01d	Switch Panel Assembly, heater, RHD	Incl. temp, fan & dist. Switches	Heater cars	A117P0149F	1
01e	Switch Panel Assembly, heater, LHD	Incl. temp, fan & dist. Switches	Heater cars	A117P0148F	1
01f	Switch Panel Assembly, illuminated, heater, RHD	Incl. temp, fan & dist. Switches	Heater cars	A120P0022F	1
01g	Switch Panel Assembly, illuminated, heater, LHD	Incl. temp, fan & dist. Switches	Heater cars	A120P0023F	1
02	Screw, Ejoyt 1452K 50 x 18, black, panel fix.		A082W5187F R/B	A117W5277F	4
03	Knob, brushed/polished, climate controls			B117U0036F	3
03a	Knob, polished, climate controls			A117U0201F	3
03b	Knob, illuminated		Illuminated panel	A120U0091F	3
04	Switch, AC, blue tell-tale			A117M0026F	1
05	Switch, Recirculation, blue tell-tale			A117M0026F	1
06	Switch, 3 speed fan			A117M6053S	1
07	Washer M6 anti loss			A132W4005F	3
08	Switch, HVAC	Not illustrated	Gulf States	A120M0058F	1

ELISE

Function Code: 18.09a, Page: 1

Updated 3rd February 2014



ELISE
18.12

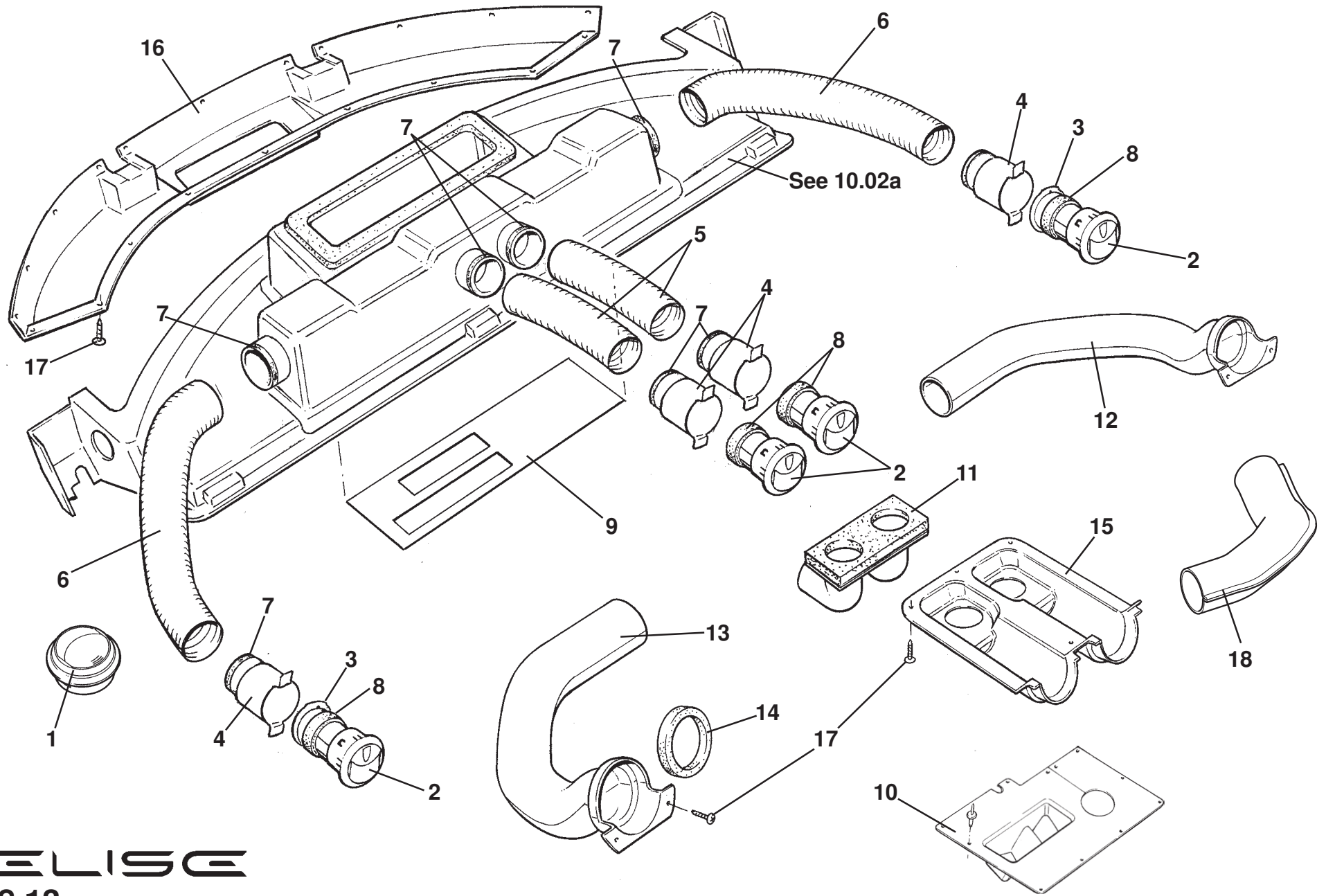
Updated 1st May 2014

Service Parts List **ELISE**



Function Code 18.12 AC/Heater Air Distribution Plenum

<u>Dep</u>	<u>Part Description</u>	<u>Remarks</u>	<u>Option</u>	<u>Part Number</u>	<u>Qty</u>
01	Air Distribution Plenum, LHD		A117P0041F R/B	B117P0041F	1
01a	Air Distribution Plenum, RHD			A117P0042F	1
02	Actuator, distribution flaps			A117M6052S	1
03	Hose, heater to plenum		Prior to '07 MY	A117P0031F	1
03a	Hose, heater to plenum, insulated	Can be retro-fitted	'07 MY on	A124P0025F	1
04	Hose Insulation Sleeve, heater to plenum		Gulf states	A120P0161F	1
05	Fresh Air Filter Housing Assembly		Gulf states	A120P0159F	1
06	Filter Fresh Air		Gulf states	A120P0160H	1



ELISE
18.13

Updated 19th December 2010

Service Parts List **ELISE**



Function Code 18.13 Air Trunking, Ducts & Ventilators

<u>Dep</u>	<u>Part Description</u>	<u>Remarks</u>	<u>Option</u>	<u>Part Number</u>	<u>Qty</u>
01	Fascia Top Ventilator/Demister			A117U0035F	4
02	Face Level Vent			A117U6003F	4
03	Retaining Ring, FLV			A117P0086F	2
04	Adaptor, vent to trunking			A117P0063F	4
05	Trunking, centre face level vents			A117P0068F	2
06	Trunking, outer face level vents			A117P0069F	2
07	Foam Seal, self adhesive, 19 x 3mm, adaptors to trunking			A082U6067F	1.28m
08	Foam Seal, self adhesive, 10 x 6mm, FLV to adaptor			A100B0431V	0.8m
09	Blanking Panel, FVL plenum, LHD/RHD	Bond to plenum to make LHD or RHD assembly		A117P0084K	1
10	Deflector, footwell, RHD		A120U0026F R/B	A120P0016F	1
10a	Deflector, footwell, LHD		A120U0027F R/B	A120P0017F	1
11	Duct, intermediate, FLV centre	Includes foam gaskets	SIR cars	A121U0029F	1
12	Duct, side FLV, RH		SIR cars	A121U0028F	1
13	Duct, side FLV, LH		SIR cars	A121U0027F	1
14	Gasket, FLV		SIR cars	A121V0006H	4
15	Duct, FLV centre		SIR cars	B121P0002H	1
16	Duct, air distribution, demist	P/O fascia top panel assy.	SIR cars	A121P0001H	1
17	Screw, self tap., No.10 x 3/4", ducts to panels		SIR cars	A075W5040Z	28

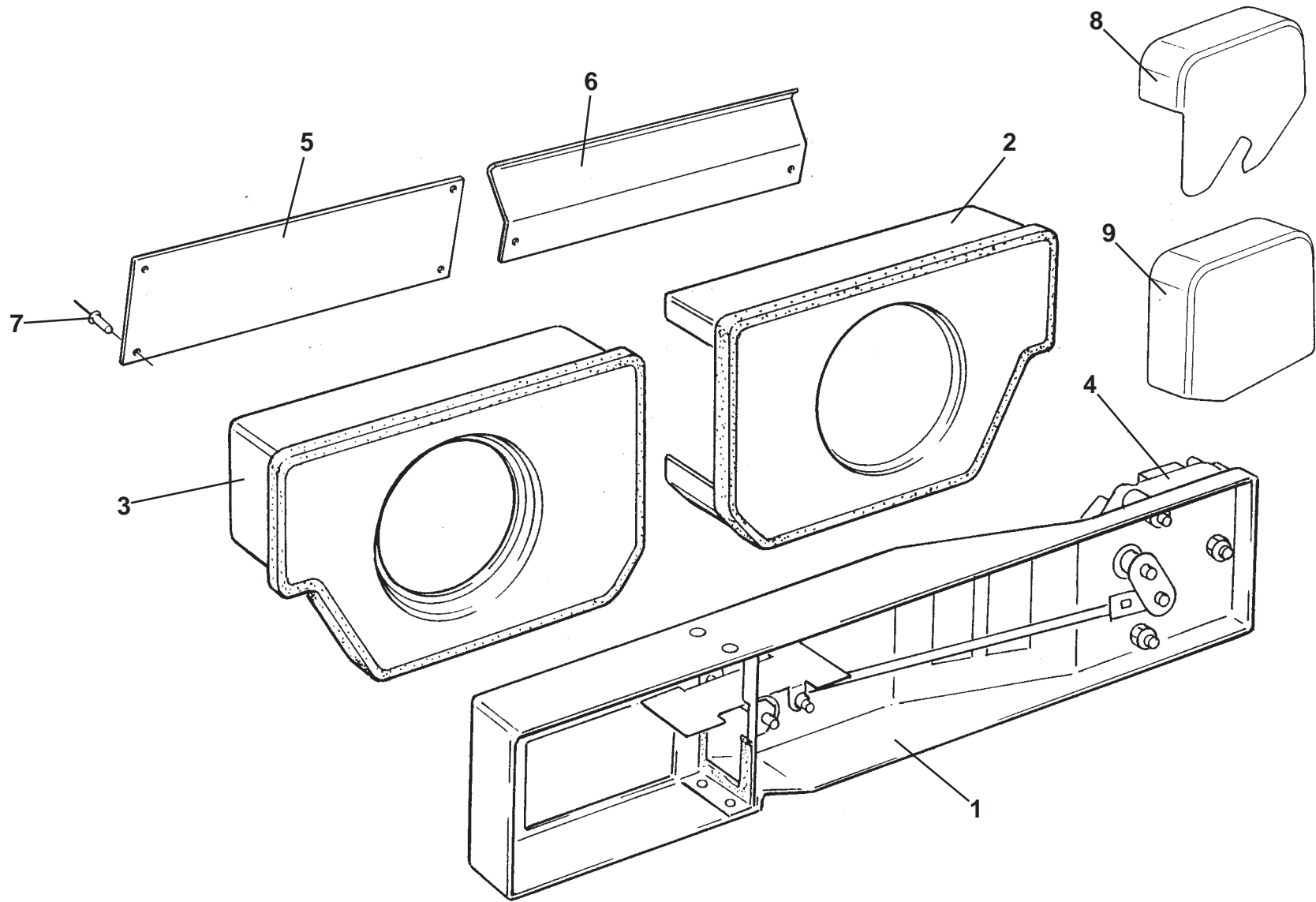
ELISE

Function Code: 18.13, Page: 1

Updated 19th December 2010

Function Code 18.13 Air Trunking, Ducts & Ventilators

<u>Dep</u>	<u>Part Description</u>	<u>Remarks</u>	<u>Option</u>	<u>Part Number</u>	<u>Qty</u>
18	Insulation Sleeve, underdash ducting		Gulf states	A120P0175F	2



ELISE

18.14

Service Parts List **ELISE**



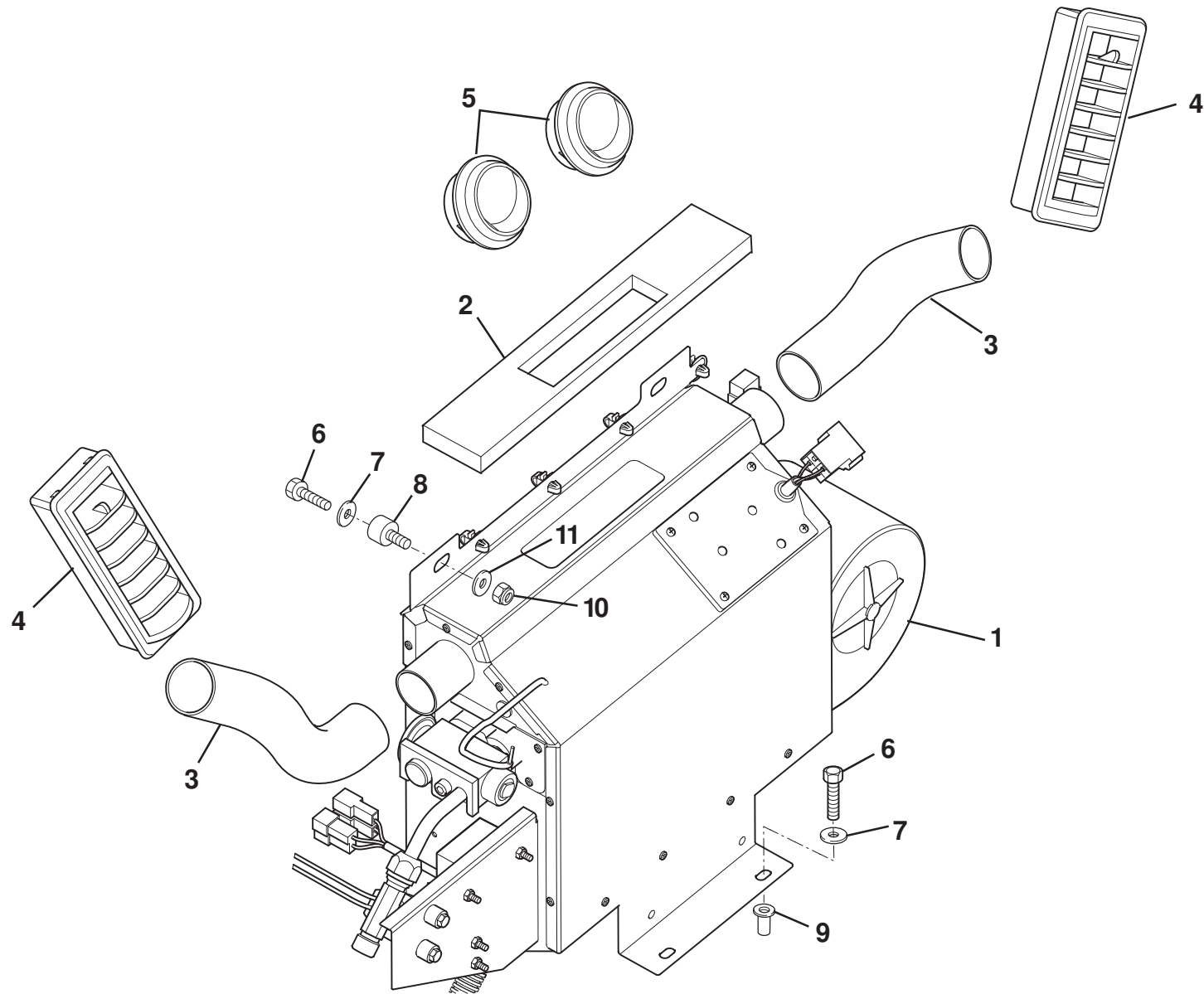
Function Code 18.14 AC Air Recirculation System

<u>Dep</u>	<u>Part Description</u>	<u>Remarks</u>	<u>Option</u>	<u>Part Number</u>	<u>Qty</u>
01	Intake Duct/Fresh Air Flap Assembly, LHD		AC cars	A117P0089F	1
01a	Intake Duct/Fresh Air Flap Assembly, RHD		AC cars	A117P0088F	1
01b	Intake Duct, heater, LHD		Heater cars	A117P0134F	1
01c	Intake Duct, heater, RHD		Heater cars	A117P0135F	1
02	Recirc. Air Plenum, LH, RHD	Without aperture	AC cars, A120P0011F R/B	B117P0035F	1
02a	Recirc. Air Plenum, LH, LHD	With aperture	AC cars	B117P0037F	1
02b	Recirc. Air Plenum, LH, GCC	Not illustrated	Gulf states	A120P0172F	1
03	Recirc. Air Plenum, RH, RHD	With aperture	AC cars	B117P0036F	1
03a	Recirc. Air Plenum, RH, LHD	Without aperture	AC cars, A120P0012F R/B	B117P0038F	1
03b	Recirc. Air Plenum, RH, GCC	Not illustrated	Gulf states	A120P0173F	1
04	Actuator, fresh air flap		AC cars	A117M6052S	1
05	Blanking Panel, alloy	Driver footwell	AC cars	A117P0123F	1
06	Deflector Panel, alloy	Passenger footwell	AC cars	A117P0126F	1
07	Pop Rivet, panels to chassis		AC cars	A111W6613F	6
08	Cover, actuator, RHD		AC cars	A117P0159K	1
09	Cover, actuator, LHD		AC cars	A117P0160K	1

ELISE

Function Code: 18.14, Page: 1

Updated 16th January 2013



ELISE
18.15

Updated 1st May 2014

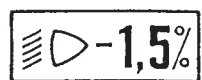
Service Parts List **ELISE**



Function Code 18.15 Auxillary AC Unit

<u>Dep</u>	<u>Part Description</u>	<u>Remarks</u>	<u>Option</u>	<u>Part Number</u>	<u>Qty</u>
01	Auxillary AC Assembly		2ZZ Gulf States	A120P0157F	1
02	Seal, auxillary top vent to bulkhead trim		Gulf States	A120P0178F	1
03	Pipe, insulation, aux HVAC to bulk head vents		Gulf States	A120P0167F	2
04	Grille Vent, rectangle		Gulf States	A120P6009F	2
05	Grille Vent, round		Gulf States	A120P6010F	2
06	Setscrew M6 x 12			A075W1027Z	4
07	Washer 6 x 20 2.5			A075W4016Z	4
08	Bobbin Rubber M6			A082J6177F	2
09	Rawlnut M6			A075W6140F	2
10	Nyloc Nut, M6, bobbin fix.			A075W3009Z	2
11	Washer, flat, M6 x 15, bobbin to bracket			A075W4015Z	2

WORLD CAR & LIGHT DUTY VEHICLE		AUSTRALIAN	
REG. NO.	TYPE	REG. NO.	TYPE
REG. NO. (VIA REGISTRATION)	VEHICLE IDENTIFICATION NO.	REG. NO. (VIA REGISTRATION)	VEHICLE IDENTIFICATION NO.



E4	10	0195003	26	0195003
	11	0295002	28	0095003
	12	0295004	39	0095004
	13	0795009	46	0195003
	14	0395006	48	0195002
	17RA	0495005	51	0195019
	18	0195002	83	0195016
	21	0195005		

LOTUS B111U006

FUEL CONSUMPTION	
LOTUS ELISE 111R (TYPE 117A) LOTUS ELISE (TYPE 117B) MANUAL/PETROL	
Fuel Consumption (L/100km)	CO ₂ Emissions (g/km)
Urban	196
Combined	
Extra Urban	

MANUFACTURED BY LOTUS CARS LTD
MONTH & YEAR OF MANUFACTURE *****
GROSS VEHICLE WEIGHT RATING: 1152 kg (2539.8 lb)
GROSS AXLE WEIGHT RATINGS: FRONT 441 kg (972.8 lb) REAR 321 kg (707.8 lb)
THIS VEHICLE CONFORMS TO ALL APPLICABLE FEDERAL MOTOR VEHICLE SAFETY STANDARDS AND SAFETY PROTECTION STANDARDS IN EFFECT ON THE DATE OF MANUFACTURE. SEEN ABOVE EXCEPT 514, 519, 515, 517, 519, 521, 523 & 525 (FEDERAL AIR BAG REQUIREMENTS) OF STANDARD No. 208 - OCCUPANT CRASH PROTECTION WITH A TEMPORARY EXEMPTION NUMBER EX-08-4
VIN: SC***** PASSENGER CAR

TIRE AND LOADING INFORMATION	
TIRE LOAD CAPACITY: SEE OWNER'S MANUAL FOR ADDITIONAL INFORMATION	
FRONT	REAR

PREMIUM UNLEADED FUEL ONLY

MAXIMUM ALLOWABLE MASS IN LUGGAGE COMPARTMENT: 50kg
A111U0007

WARNING A111A0213
IT IS UNSAFE TO USE VEHICLE WITH THE STRUCTURAL SHEAR PANEL REMOVED ENSURE BOLTS TORQUED 24Nm.

ELISE
19.01 page1

Updated 3rd January 2017

23

Original Equipment (OE) Components Labels

THIS VEHICLE CONFORMS TO ALL APPLICABLE FEDERAL MOTOR VEHICLE SAFETY STANDARDS IN EFFECT ON THE DATE OF MANUFACTURE EXCEPT FOR STANDARD 102.

S14, S16, S18, S17, S15, S21, S23 LABELS ADVANCED AIR BAG REQUIREMENTS OF STANDARD NO. 208, OCCUPANT CRASH PROTECTION, EXEMPTED PURSUANT TO HIGH EXEMPTION NO. EX-06-4

CR230124

22

PARTS CONTENT INFORMATION FOR VEHICLES IN THIS COUNTRY, US / CANADIAN PARTS CONTENT, IS MAJOR SOURCE OF FOREIGN PARTS CONTENT:

UNITED KINGDOM: 63% JAPAN: 17%

NOTE: PARTS COUNTRY DOES NOT INCLUDE FINAL ASSEMBLY, DISTRIBUTION OR OTHER KEY PARTS COUNTRIES.

FOR THIS VEHICLE:
FINAL ASSEMBLY COUNTRY: NEW ZEALAND
COUNTRY OF ORIGIN: JAPAN
TRANSMISSION: JAPAN

27

WARNING

DEATH or SERIOUS INJURY can occur

- Children 12 and under can be killed by the air bag
- NEVER put a rear-facing child seat in front
- Sit as far back as possible from the air bag
- ALWAYS use SEAT BELTS and CHILD RESTRAINTS

13

ROOF SYSTEM NOTICE

THE ROOF SYSTEM AND WEATHER SEALS ON THIS VEHICLE ARE SHOWER RESISTANT IN CERTAIN ENVIRONMENTAL CONDITIONS WATER MAY ENTER THE CABIN

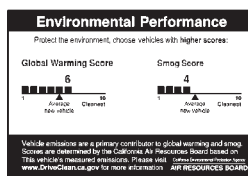
24

IMPORTANT NOTICE REGARDING BUMPER QUALITY

The stronger a car's bumper, the less likely the car will require repair after low speed impact.

PLEASE NOTE: This vehicle is not equipped with either front or rear bumper pursuant to an exemption issued by NHTSA from Federal Bumper Standard, which prohibits damage to the vehicle body or safety systems in 2.5mph impacts.

Accordingly, Lotus does not claim that this vehicle meets the Federal Bumper Standard.



26

AIR BAG WARNING

FLIP VISOR OVER

15

REFIT FILLER CAP TURN CLOCKWISE UNTIL 3 CLICKS

PREMIUM UNLEADED FUEL ONLY

29

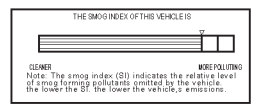
LO 0XXXXX
LABEL PT. NO. XXXXXXXX

31

WARNING

DO NOT Place rear-facing child seats on this seat at any time.

DEATH OR SERIOUS INJURY can occur



28

WARNING

Children Can Be KILLED or INJURED by Passenger Air Bag

Make sure all children use seat belts and child seats.

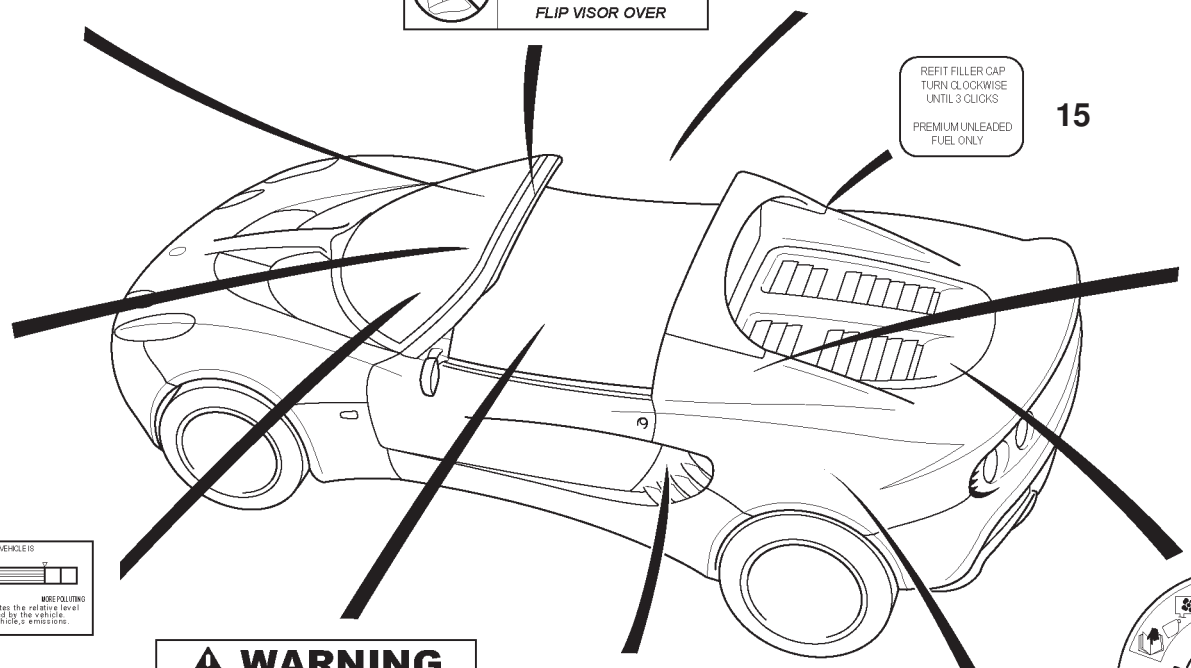
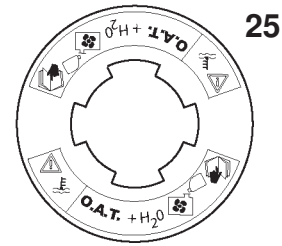
14

تأكد من هذه المركبة جميع النوافذ الفنية الخلفية والوطنية للسيارات التي صدرت حتى تبريح الإنتاج

32

SIR

A082U7350



Service Parts List **ELISE**



Function Code 19.01 Labels, Certificates, Literature etc.

<u>Dep</u>	<u>Part Description</u>	<u>Remarks</u>	<u>Option</u>	<u>Part Number</u>	<u>Qty</u>
01	Certificate of Conformity	Contact Lotus Type Approval	All models/markets	Not listed	1
02	Label, 'E' mark, on sill passenger side	Contact Lotus Type Approval		Not listed	1
03	Label, brake fluid warning			A082U7623F	1
04	Label, headlamp levelling, 1.5%	Beneath headlamp covers	Europe	B082U7039F	2
05	Label, VIN number, windscreen	Special order only, see LSL632		C121U0121K	1
05a	Plate, windscreen VIN label			A121U0133F	1
06	Label, tyre loading	On inner sill	Elise, Australia	E117U0273F	1
06a	Label, tyre loading	On inner sill	Exige, Australia	B120U0037F	1
07	Label, VIN	Special order only, see LSL632		F075U1186K	1
08	Label, premium unleaded fuel			A082U7800F	1
09	Label, jacking point			A111U0239F	2
10	Label, luggage loading			B111U0007F	1
10a	Label, luggage loading	Arabic text, Not illustrated	Gulf States	A120U0130F	1
11	Label, shear panel warning			A111A0213F	2
12	Label, fuel consumption, 2ZZ	On windscreen	Australia	A120U0042F	1
12a	Label, fuel consumption, 1ZZ	On windscreen	Australia	C131U0007F	1
13	Label, hard top instruction directive	On hard top inner		B116V0185F	1
14	Label GCC compliance	On LH 'B' post,	Gulf States	A132U1038F	1

ELISE

Function Code: 19.01, Page: 1

Updated 3rd January 2017

Function Code 19.01 Labels,Certificates, Literature etc.

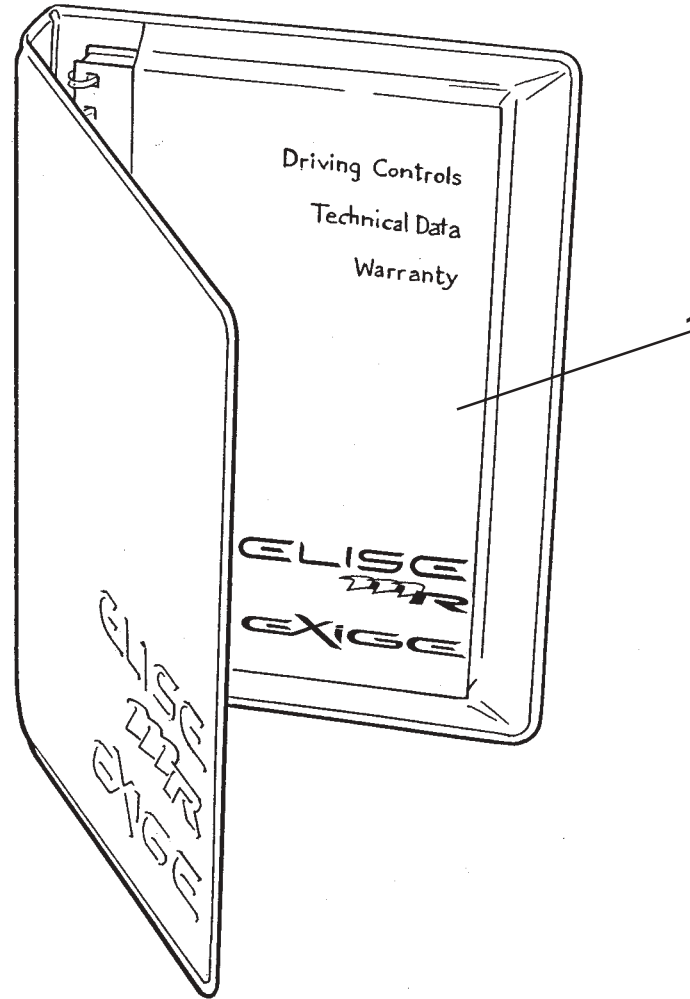
<u>Dep</u>	<u>Part Description</u>	<u>Remarks</u>	<u>Option</u>	<u>Part Number</u>	<u>Qty</u>
15	Label, fuel filler flap		USA/Canada	A121B0063H	1
16	Label, tyre and loading information	On LH 'B' post	USA/Canada	B121U0007F	1
16a	Label, tyre and loading information, Yokohama A048	On LH 'B' post	USA/Canada	A121U0136F	1
16b	Label, tyre placard Yokohama AD07 GCC	On LH 'B' post, Arabic text	Gulf States	A120U0128F	1
16c	Label, tyre placard, Yokohama A048 GCC	On LH 'B' post, Arabic text	Gulf States	A120U0129F	1
17	Label, certification	On LH door hinge, Special order only	USA	C121U0006K	1
17a	Label, Canadian certification	On LH door hinge, Special order only	Canada	A082U7859K	1
17b	Label, certification	On LH 'B' post, Special order only	Gulf States	B120U0132K	1
18	Label, water ingress	On Drivers cantrail	UK version	B120U0032F	1
18a	Label, water ingress	On Drivers cantrail	USA version, All markets '06 MY	A121U0054F	1
19	Label, emmision control	On LH engine cover	USA/Canada	B121U0009F	1
19a	Label, emmision control, 06 MY	On LH engine cover	Canada	A121U0159F	1
19b	Label, emmision control, 07MY	On LH engine cover	Canada	B121U0159F	1
19c	Label, emmision control, 06 MY	On LH engine cover	USA	A121U0154F	1
19d	Label, emmision control, 07MY	On LH engine cover	USA	B121U0154F	1
19e	Label, emmision control, 08MY	On LH engine cover	USA	C121U0154F	1
19f	Label, emmision control, 09MY	On LH engine cover	USA	D121U0154F	1
19g	Label, emmision control, 10 MY	On LH engine cover	USA	E121U0154F	1
19h	Label, emmision control, 11MY	On LH engine cover	USA	F121U0154F	1

Function Code 19.01 Labels,Certificates, Literature etc.

<u>Dep</u>	<u>Part Description</u>	<u>Remarks</u>	<u>Option</u>	<u>Part Number</u>	<u>Qty</u>
19i	Label, emmision control, 08MY	On LH engine cover	Exige S/C USA	A128U0015F	1
19j	Label, emmision control, 09MY	On LH engine cover	Exige S/C USA	B128U0015F	1
19k	Label, emmision control, 10 MY	On LH engine cover	Exige S/C USA	C128U0015F	1
19l	Label, emmision control, 11MY	On LH engine cover	Exige S/C USA	D128U0015F	1
20	Label, vacuum routing	On RH engine cover	USA/Canada	A121U0010F	1
20a	Label, vacuum routing	On RH engine cover	USA/Canada, '07 MY	B121U0010F	1
21	Label, smog index	On windscreen	USA/Canada	A121U0011F	1
22	Label, country of origin	On windscreen	USA/Canada	E121U0134F	1
23	Label, federal exemption (headlamps)	On windscreen	USA/Canada	A121U0143F	1
24	Label, federal exemption (bumpers)	On windscreen	USA/Canada	A121U0152F	1
25	Label, coolant, OAT	On header tank		A117K6002F	1
26	Label, airbag warning visible	On sunvisor	USA/Canada	A082U6315F	2
27	Label, child seat inner	On sunvisor	USA/Canada	B082U6316F	2
27a	Label, child seat inner GCC	On sunvisor, Arabic text	Gulf States	A120U0131F	1
28	Label, removable child seat	On gearlever	USA/Canada	A082U6317F	1
29	Label, ECM, non AC		Exige	A122E0005F	1
29a	Label, ECM, AC		Exige	A122E0006F	1
29b	Label, ECM, Euro, light green		Elise SC, Euro	A120E0038F	1
29c	Label, ECM, federal, silver		Elise SC, USA	A121E0016F	1
30	Label, env perf-2ZZ supercharged	On windscreen	Exige S, USA	A128U0032F	1

Function Code 19.01 Labels,Certificates, Literature etc.

<u>Dep</u>	<u>Part Description</u>	<u>Remarks</u>	<u>Option</u>	<u>Part Number</u>	<u>Qty</u>
31	Label, child seat warning RH, LHD	On sunvisor, for car without sunvisors see 12.05a item 35		B124U0094F	1
31a	Label, child seat warning LH, RHD	On sunvisor, for car without sunvisors see 12.05a item 35		B124U0095F	1
32	Label, SIR warning	On battery cover	USA/Canada	A082U7350F	1
33	Conformity Label	Not illustrated	USA/Canada	C111U0005K	1



ELISE

19.03

Service Parts List **ELISE**



Function Code 19.03 Owner's Handbooks & Service Notes Manuals

<u>Dep</u>	<u>Part Description</u>	<u>Remarks</u>	<u>Option</u>	<u>Part Number</u>	<u>Qty</u>
01	Owner's Handbook, English	Includes maintenance record	05 - 10 MY	B120T0324J	1
01a	Owner's Handbook, English	Includes maintenance record	11 MY	D120T0324J	1
01b	Owner's Handbook, Federal	Includes maintenance record	05 - 06 MY	A121T0324J	1
01c	Owner's Handbook, Federal,	Includes maintenance record	07 - 11 MY onwards	E121T0324J	1
01d	Owner's Handbook, French/Canadian	Includes maintenance record	05 - 06 MY	C121T0324J	1
01e	Owner's Handbook, French	Includes maintenance record	05 - 11 MY	B120T0324JF	1
01f	Owner's Handbook, German	Includes maintenance record	05 - 11 MY	B120T0324JD	1
01g	Owner's Handbook, Italian	Includes maintenance record	05 - 11 MY	B120T0324JI	1
01h	Owner's Handbook, GCC	Includes maintenance record	05 - 11 MY	E121T0324JAR	1
01i	Maintenance Record	P/O item 01		B120T0324M	1
02	Service Notes	For 1ZR, 2ZR see Dealer Portal only	04 - 11 MY 1ZZ + 2ZZ	A120T0327J	1
03	Service Parts List	For 1ZR, 2ZR see Dealer Portal only	04 - 11 MY 1ZZ + 2ZZ	A120T0325J	1
04	Workshop Manual, engine & transmission	(previously available seperately)	1ZZ + 2ZZ	E120T0327J	1
05	Labour Times Schedule	Dealer Portal only		A120T0328J	1
06	2008 Model Year Supplement	Insert in handbook pack	Elise/Exige '08 MY	LSL529	1
06a	Elise SC Supplement	Insert in handbook pack	Elise SC	LSL535B	1
06b	Exige Cup 260 Supplement	Insert in handbook pack	Exige Cup 260	LSL536	1

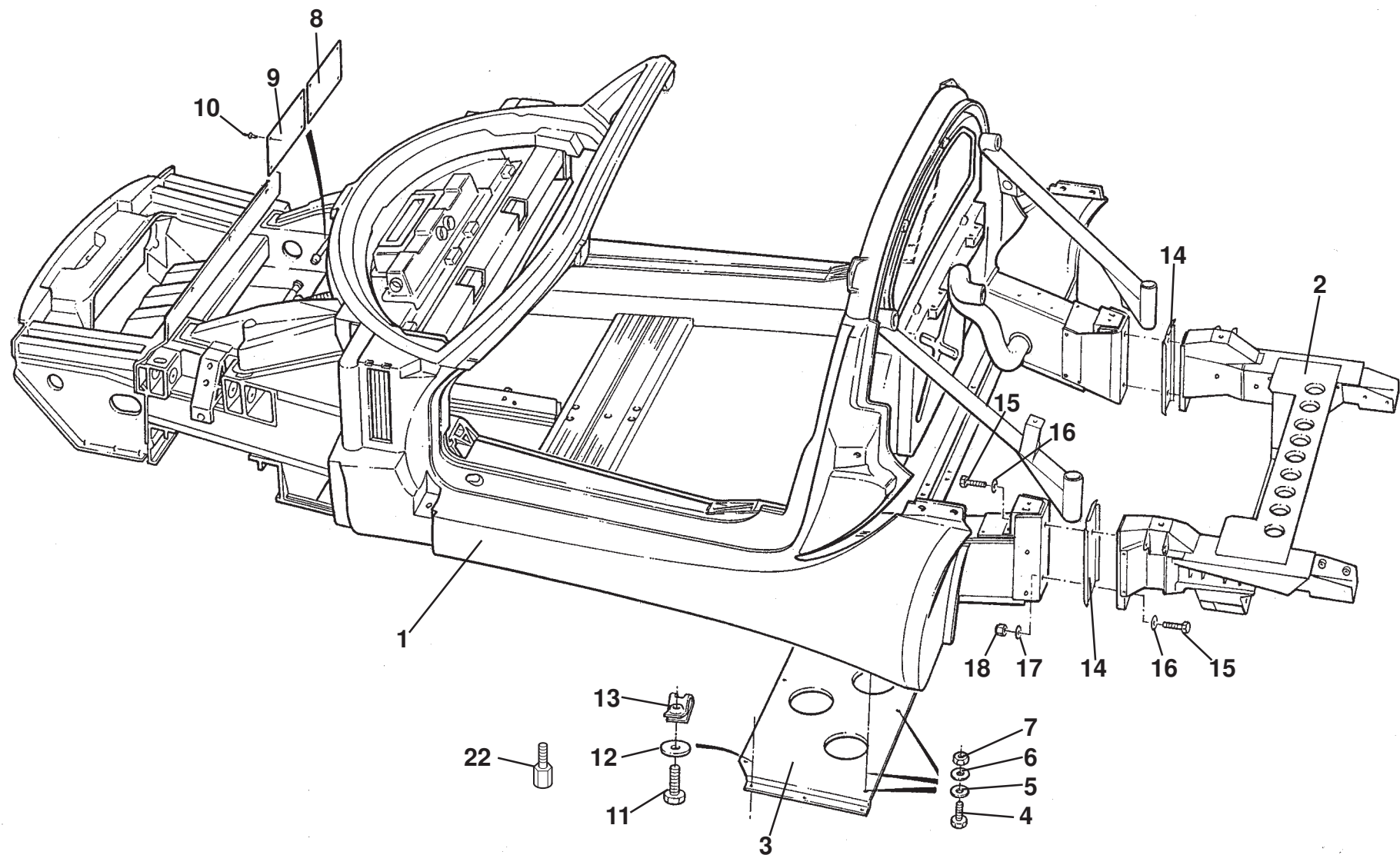
ELISE

Function Code: 19.03, Page: 1

Updated 3rd January 2017

Function Code 19.03 Owner's Handbooks & Service Notes Manuals

<u>Dep</u>	<u>Part Description</u>	<u>Remarks</u>	<u>Option</u>	<u>Part Number</u>	<u>Qty</u>
06c	Big Brake bedding in Supplement	Insert in handbook pack	Cars with Big Brakes	LSL534B	1
06d	Exige Stealth Supplement	Insert in handbook pack	Exige Stealth	LSL565	1
06e	Exige Scura Supplement	Insert in handbook pack	Exige Scura	LSL564	1
07	Maintenance Schedule Pack (25)	Download from Dealer Portal as req.	LSL460 R/B	Dealer Portal	1
08	PDI Form Pack (25)	Download from Dealer Portal as req.	LSL345C R/B	Dealer Portal	1



ELISE
30.01

Updated 9th June 2011

Service Parts List **ELISE**



Function Code 30.01 Chassis, Subframes

<u>Dep</u>	<u>Part Description</u>	<u>Remarks</u>	<u>Option</u>	<u>Part Number</u>	<u>Qty</u>
01	Partial Body Assembly, heater, RHD***	Includes subframe*	Elise heater	A120A0112S	1
01a	Partial Body Assembly, heater, LHD***	Includes subframe*	Elise heater	A120A0113S	1
01b	Partial Body Assembly, AC, RHD***	Includes subframe/AC pipes*	Elise AC	A120A0114S	1
01c	Partial Body Assembly, AC, LHD***	Includes subframe/AC pipes*	Elise AC	A120A0115S	1
01e	Partial Body Assembly, heater, oil coolers, RHD***	Includes subframe, oil pipes*	Elise heater/oil cooler	A120A0116S	1
01f	Partial Body Assembly, heater, oil coolers, LHD***	Includes subframe, oil pipes*	Elise heater/oil cooler	A120A0117S	1
01g	Partial Body Assembly, AC, oil coolers, RHD***	Includes subframe/AC/oil pipes*	Elise AC/oil cooler	A120A0118S	1
01h	Partial Body Assembly, AC, oil coolers, LHD***	Includes subframe/AC/oil pipes*	Elise AC/oil cooler	A120A0119S	1
01i	Partial Body Assembly, Exige heater, RHD***	Includes subframe, oil pipes*	Exige heater	A122A0036S	1
01j	Partial Body Assembly, Exige heater, LHD***	Includes subframe, oil pipes*	Exige heater	A122A0037S	1
01k	Partial Body Assembly, Exige AC, RHD***	Includes subframe/AC/oil pipes*	Exige AC	A122A0038S	1
01l	Partial Body Assembly, Exige AC, LHD***	Includes subframe/AC/oil pipes*	Exige AC	A122A0039S	1
01m	Partial Body Assembly, AC, dual airbag, LHD, federal***	Includes subframe/AC/oil pipes*	Elise, USA/Canada	A121A0019S	1
01n	Partial Body Assembly, AC, dual airbag, LHD, federal***	Includes subframe/AC/oil pipes*	Exige, USA, prior to '07.5 MY	A123A4001S	1
01o	Partial Body Assembly, AC, dual airbag, LHD, federal***	Incl. subframe/AC/oil pipes, bumper armature*	Exige, USA, '07.5 MY	A123A4002S	1
01p	Partial Body Assembly, AC, dual airbag, LHD, Canada***	Includes subframe/AC/oil pipes*	Exige, Canada	A123A4003S	1
01q	Partial Body Assembly, AC, dual airbag, LHD, federal***	Incl. subframe/AC/oil pipes, bumper armature*	Elise, USA, 07.5 MY	A121A0049S	1

ELISE

Function Code: 30.01, Page: 1

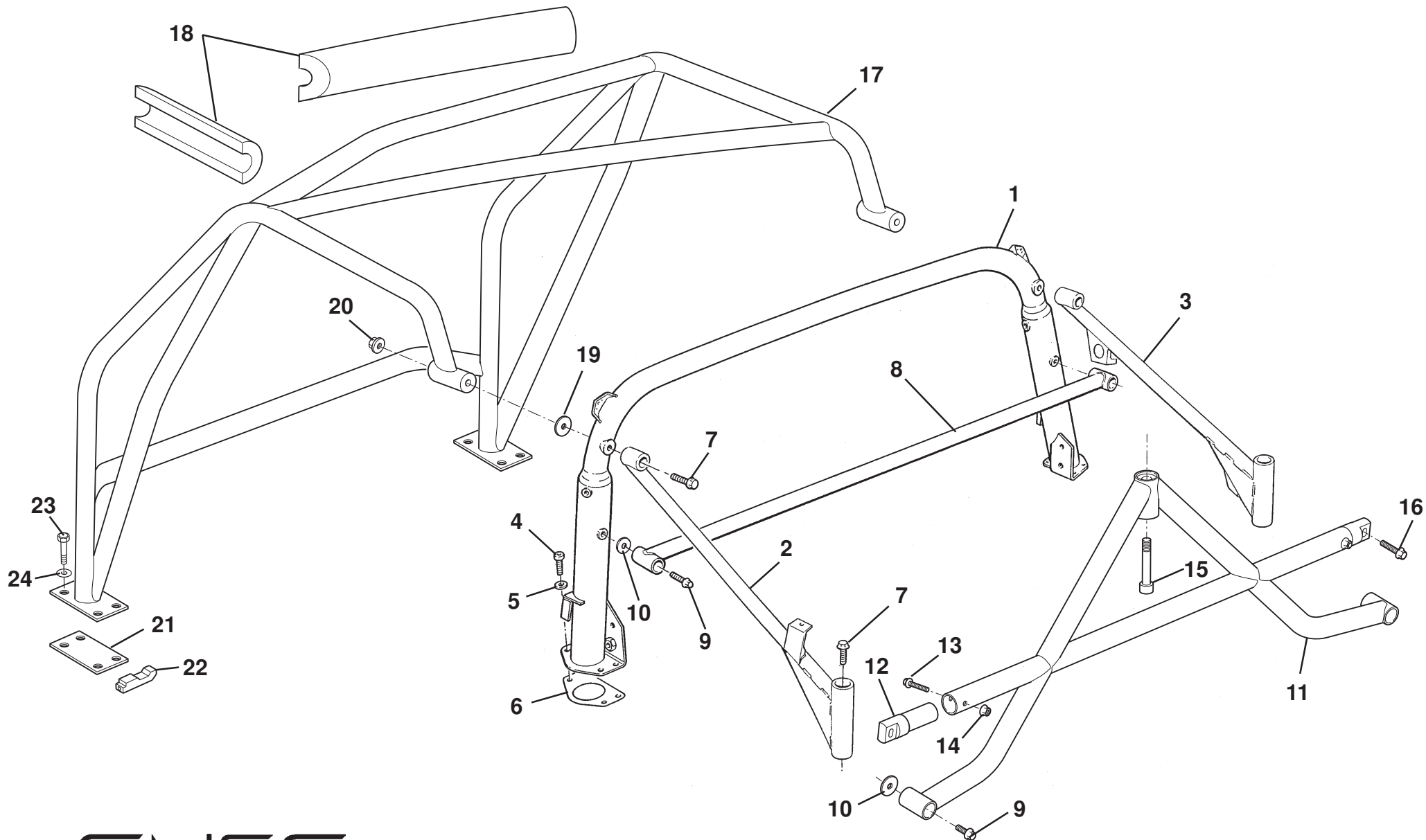
Updated 3rd January 2017

Function Code 30.01 Chassis, Subframes

<u>Dep</u>	<u>Part Description</u>	<u>Remarks</u>	<u>Option</u>	<u>Part Number</u>	<u>Qty</u>
02	Rear Sub Frame, galvanised**	See section 45.01 exhaust mounting	F120A0001F R/B	B120A0176F	1
02a	Rear Sub Frame, Delta protekt finish		Exige cup 260 '10 MY	A128A0008F	1
03	Shear Panel, fuel tank bay closing panel			B120A0065F	1
04	Screw, M8 x 25, hex. hd., shear panel fix			A111W1156F	10
05	Washer, flat, M8 x 21 x 1.6			A111W4159F	10
06	Washer, flat, M8 x 16.6 x 1.4			A111W4164F	5
07	Nyloc Nut, M8			A907E6284F	5
08	Blanking Panel, RH, toe board air vents		Heater cars	A111P0490K	1
09	Blanking Panel, LH, toe board air vents		Heater cars	A111P0489K	1
10	Pop Rivet, blanking panel fix			A085W6259F	8
11	Setscrew, M5 x 16, hex. hd., shear panel to chassis/sill	Also see 10.25		A111W1163F	6
12	Washer, flat, M5 x 25 x 1.4, shear panel to chassis/sill	Also see 10.25		A082W4098F	6
13	Spirenut, M5, shear panel to chassis/sill	Also see 10.25		B100W6372F	6
13	Spirenut, M5, shear panel to chassis/sill	Also see 10.25		B100W6372F	6
14	Shim, subframe to chassis			A116A0076F	2
15	Bolt M12 x 60 skt cap hd, subframe to chassis			A138W2010F	4
16	Washer, flat, M12 x 23.5 x 2.3, subframe to chassis			A075W4028Z	4
17	Washer, flat, M12 x 24 x 1.6, subframe to chassis lower			A075W4071F	2
18	Nyloc Nut, M12, subframe to chassis lower			A075W3012Z	2
19	Grommet, blanking, unused steering column hole	Not illustrated	A111A6003F R/B	A117W6783F	1

Function Code 30.01 Chassis, Subframes

<u>Dep</u>	<u>Part Description</u>	<u>Remarks</u>	<u>Option</u>	<u>Part Number</u>	<u>Qty</u>
20	Grommet, blanking, tank bay rear	Not illustrated		A121W6755F	1
21	Pulsert, M8, low profile S/S, subframe to undertray	Not illustrated		A121W3211F	1
22	Adapter, diffuser, shear panel 16mm hex		Exige cup 260	A120A0183F	3
		*All partial bodies prior to MY11 supplied with rear subframes with 4 holes for exhaust mounting, if replacing rear subframe that had two holes for exhaust mounting order nutplates listed in section 45.01			
		**All rear subframes supplied now have 4 holes for exhaust mounting, if replacing rear subframe that had two holes for exhaust mounting order nutplates listed in section 45.01			
		***Use order form LSL631			



ELISE
30.02

Updated 3rd January 2017

Service Parts List **ELISE**



Function Code 30.02 Seat Belt Mounting Frames, Stays

<u>Dep</u>	<u>Part Description</u>	<u>Remarks</u>	<u>Option</u>	<u>Part Number</u>	<u>Qty</u>
01	Seat Belt Mounting Frame		111R/Exige	B117A0145F	1
01a	Seat Belt Mounting Frame		USA/Canada A121A0015F R/B	B117A0145F	1
01b	Seat Belt Mounting Frame, T45, black	Centre boss for 'A' frame kit, item 11a	Exige option + 240R	B122A0046F	1
01c	Seat Belt Mounting Frame, T45, black	Bosses for 'A' frame, item 11	Exige option + Cup 260	C122A0046F	1
02	Backstay, frame, LH			B120A0069F	1
02a	Backstay, frame, LH, T45	Silver finish	Exige option	A122A0049F	1
03	Backstay, frame, RH			B120A0070F	1
03a	Backstay, frame, RH	For federal fuel filler support, see 44.01d		C120A0070F	1
03b	Backstay, frame, RH, T45	Silver finish	Exige option	A122A0050F	1
04	Screw, M8 x 25, cap hd., frame to chassis			A111W7132F	8
05	Washer, flat, M8 x 16.6 x 1.4, frame to chassis			A075W4020Z	8
06	Shim, base plate 2mm			B111A0071F	2
06a	Shim, base plate 3mm			A116A0164F	2
07	Screw, M10 x 35, flg. hd., stay fixing			A116W5247F	4
07a	Bolt M10 x 80 cap hd, stay and roll cage fixing		Exige option + Cup 260	A128B0075F	2
08	Mounting Bar, 4 point harness		Exige option	A122A0032F	1
09	Screw, M10 x 30, hex. flg. hd., bar to frame		Exige option	A116W5272F	2

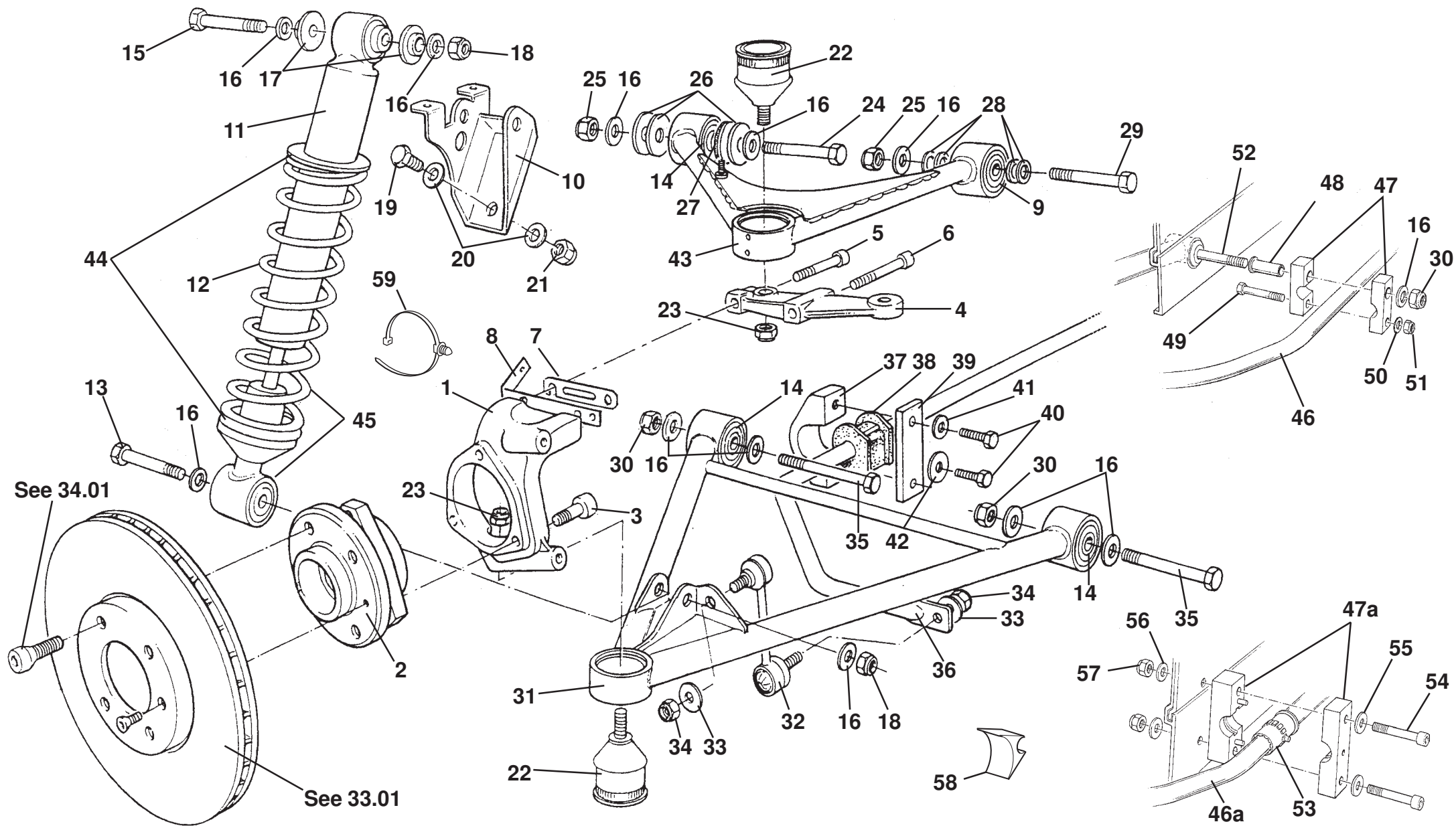
ELISE

Function Code: 30.02, Page: 1

Updated 3rd January 2017

Function Code 30.02 Seat Belt Mounting Frames, Stays

<u>Dep</u>	<u>Part Description</u>	<u>Remarks</u>	<u>Option</u>	<u>Part Number</u>	<u>Qty</u>
10	Washer, flat, M10 x 38, bar to frame		Exige option	A122A0033F	2
11	'A' Frame T45*	Fits frame, item 01c	Exige option + Cup 260	A128A0012F	1
11a	'A' Frame Kit*	Cannot use reel belts	Exige option	A128B0071F	1
12	Mounting Spigot, bar to Seat Belt Mounting Frame		Exige option + Cup 260	A128A0013F	2
13	Bolt, M8 x 50, hex. flg. hd., spigot to bar		Exige option + Cup 260	A132W2014F	2
14	Nut, flange, M8, spigot to bar		Exige option + Cup 260	A111W3154F	2
15	Bolt, M16 x 70, frame to Seat Belt Mounting Frame T45		Exige option + Cup 260	A128A6003F	1
16	Bolt, M10 x 45, spigot to Seat Belt Mounting Frame T45		Exige option + Cup 260	A132W2005F	2
17	Roll Cage, RHD*		Exige option + Cup 260	A128B4004F	1
17a	Roll Cage, LHD*		Exige option + Cup 260	A128B4003F	1
18	Padding, rool hoop		Exige option + Cup 260	A128B0072F	1
19	Washer M10, front rollcage		Exige option + Cup 260	A075W4024Z	2
20	Nut M10 hex flg, front rollcage		Exige option + Cup 260	B111W3151F	2
21	Spreader Plate		Exige option + Cup 260	A128B0069F	2
22	Nut Plate		Exige option + Cup 260	A128B0070F	4
23	Bolt M8 x 25		Exige option + Cup 260	A075W1039Z	4
24	Washer M8		Exige option + Cup 260	A075W4020Z	4
25	Permabond A130	Not illustrated, for use with screws, items: 4, 16		A912E7034F	As req.
		*Refer to accessory brochure for retro-fit kits			



ELISE
31.01

Updated 3rd February 2014

Service Parts List **ELISE**



Function Code 31.01 Front Suspension, Incl. Hubs

<u>Dep</u>	<u>Part Description</u>	<u>Remarks</u>	<u>Option</u>	<u>Part Number</u>	<u>Qty</u>
01	Hub Carrier, LH			A116C0001F	1
01a	Hub Carrier, RH			A116C0002F	1
02	Hub/Bearing Assembly, with wheel speed sensor		All models Kelsey Hayes ABS	A117D6005F	2
03	Screw, M12 x 45, hex. hd., hub assy. to hub carrier			A116W2192F	6
04	Steering Arm, LH			A116C0003F	1
04a	Steering Arm, RH			A116C0004F	1
05	Bolt, M10 x 40, 10.9G, cap hd., steering arm to hub carrier			A117W7211F	2
06	Bolt, M10 x 60, 10.9G, cap hd., steering arm to hub carrier			A117W7213F	2
07	Shim, 1mm, camber adjustment		A111C0062F R/B	D111C0062F	As req.
07a	Shim, 3mm, camber adjustment		A111C0064F R/B	D111C0064F	AS req.
08	Shim/Bracket, connector retaining, LH		Kelsey Hayes ABS only	B116C0013F	1
08a	Shim/Bracket, connector retaining, RH		Kelsey Hayes ABS only	B116C0012F	1
09	Bush, upper wishbone rear pivot	1 per wishbone		A116C0035F	2
10	Damper/ABS Unit Mounting Bracket, LH		A116C0011F R/B	B116C0011F	1
10a	Damper/ABS Unit Mounting Bracket, RH			B116C0010F	1
11	Damper, standard	Non USA Elise	USA from 5H_3013, all markets up to Vin FH_0257	A120C0007H	2
11a	Damper, standard	See TSB 2014/09	From vin FH_0258	B120C0007H	2
11b	Damper	Exige	Elise sport pack option**	A122C0007H	2

ELISE

Function Code: 31.01, Page: 1

Updated 3rd January 2017

Function Code 31.01 Front Suspension, Incl. Hubs

<u>Dep</u>	<u>Part Description</u>	<u>Remarks</u>	<u>Option</u>	<u>Part Number</u>	<u>Qty</u>
11c	Damper, federal		USA/Canada, up to VIN 5H_3012	B121C0003H	2
11d	Damper, sport, Bilstein, one way adjustable, LH, Red	Remote reservoir, Use road spring 12b	Exige option, Exige 255, 260	A120C4003H	1
11e	Damper, sport, Bilstein, one way adjustable, RH, Red	Remote reservoir, Use road spring 12b	Exige option, Exige 255, 260	A120C4004H	1
12	Road Spring, standard	Elise		A116C0015H	2
12a	Road Spring	Exige	Elise sport pack option**	A122C0008H	2
12b	Road Spring, sport	'06 MY adjustable damper option, Refer to Serv. Note super sport suspension	Exige option, Exige 255, 260	A120C0019H	2
13	Bolt, M10 x 55, hex. hd., damper bottom fix.			A079W2057F	2
14	Bush, lower wishbone/upper wishbone front pivots	Replace in car sets		A116C0068F	6
15	Bolt, M10 x 70, hex. hd., damper top fix.			A075W2058Z	2
16	Washer, flat, M10 x 21 x 2	Black finish		B111W4163F	22
17	Spacer, damper to top mounting bracket			A111C0061F	4
18	Nyloc Nut, M10, damper fixings			A100W3112F	4
19	Bolt, M8 x 25, hex, hd., bracket to chassis			A111W1156F	4
20	Washer, flat, M8 x 16.5 S/S, bracket to chassis			A111W4175F	4
21	Nyloc Nut, M8, bracket to chassis			A075W3010Z	4
22	Ball Joint			B111C6012F	4
23	Nyloc Nut, M12 x 1.5, ball joint			A100C6019F	2
24	Pivot Bolt, M10 x 80, hex. hd., wishbone upper front			A075W2061Z	2

ELISE

Function Code: 31.01, Page: 2

Updated 3rd January 2017

Function Code 31.01 Front Suspension, Incl. Hubs

<u>Dep</u>	<u>Part Description</u>	<u>Remarks</u>	<u>Option</u>	<u>Part Number</u>	<u>Qty</u>
25	Nyloc Nut, M10, wishbone upper to chassis			A100W3112F	4
26	Shim, castor adjustment			A111C0077F	6
27	Snubber Washer, rubber coated, upper wishbone			A111C0081F	2
28	Shim, castor adjustment, small			A111C0080F	8
29	Pivot Bolt, M10 x 75mm, hex. hd., wishbone upper rear			A075W2059Z	2
30	Nyloc Nut, M10, wishbone lower to chassis fix			A100W3112F	4
31	Wishbone Assembly, lower, LH	Includes balljoint & bushes		A117C0035J	1
31a	Wishbone Assembly, lower, RH	Includes balljoint & bushes		A117C0034J	1
32	Anti-Roll Bar Drop Link			A111C0063F	2
33	Washer, flat, M10 x 24 x 1.5, drop link fix			A075W4023F	4
34	Nyloc Nut, M10 x 1.25, drop link fix			A111W3152F	4
35	Pivot Bolt, M10 x 85, hex. hd., wishbone lower			A079W2063F	4
36	Anti-Roll Bar, black***		A111C0111F R/B	A120C0023F	1
37	Clamp Bracket, A/R bar			A111C0107F	2
38	Pivot Bush, rubber, A/R bar.			A111C0094F	2
39	Spacer Plate, A/R bar fixing			A111C0109F	2
40	Screw, M8 x 30, skt. cap hd., A/R bar clamp brkt. fix.		A111W1161F R/B	A117W7215F	4
41	Washer, flat, M8 x 16.5 x 1.6, S/S brkt. to chassis upper			A111W4175F	2
42	Washer, flat, M8 x 25 x 1.5, S/S, bracket to chassis lower		A111W4156F R/B	B075W4021Z	2
43	Wishbone Assembly, upper, LH	Includes balljoint & bushes		A117C0029J	1
43a	Wishbone Assembly, upper, RH	Includes balljoint & bushes		A117C0030J	1

ELISE

Function Code: 31.01, Page: 3

Updated 3rd January 2017

Function Code 31.01 Front Suspension, Incl. Hubs

<u>Dep</u>	<u>Part Description</u>	<u>Remarks</u>	<u>Option</u>	<u>Part Number</u>	<u>Qty</u>
44	Damper Collar & Clip Kit	Upper/lower collars + circlip		A120C6003S	2
45	Spring/Damper Assembly, standard	Non USA Elise	USA from 5H_3013	A120C0005F	2
45a	Spring/Damper Assembly	Exige	Elise sport pack option**	A122C0006F	2
45b	Spring/Damper Assembly, adjustable, red	Items 11c + 12b, '06 MY adjustable damper option, Refer to Serv. Note super sport suspension	Exige option, Exige 255, 260	A120C0017F	2
45c	Spring/Damper Assembly, Ohlins 2 way adjustable, LH, yellow	Remote reservoir not illustrated	Exige option, Cup 260,Stealth, Skura	A128C4001F	1
45d	Spring/Damper Assembly, Ohlins 2 way adjustable, RH, yellow	Remote reservoir not illustrated	Exige option, Cup 260 Stealth, Skura	A128C4002F	1
46	Anti-Roll Bar, sport, adjustable, black		Optional, prior to VIN*	A111C0134S	1
46a	Anti-Roll Bar, sport, adjustable, yellow**		Optional, from VIN*	A120C0024F	1
47	Mounting Clamp, nylon, A/R bar	Use with 46	Optional, prior to VIN*	B111C0052F	2
47a	Mounting Clamp, A/R bar, '07 MY	Use with 46	Optional, '07 MY on	A120C0021F	2
48	Bush, A/R bar mount to chassis	Use with 46	Optional, prior to VIN*	A111C0060F	2
49	Bolt, M5 x 45, cap hd., clamp fixing	Use with 46	Optional, prior to VIN*	A082W2106F	2
50	Washer, flat, M5 x 10 x 1.0, clamp fixing	Use with 46	Optional, prior to VIN*	A075W4011Z	2
51	Nyloc Nut, M5, clamp fixing	Use with 46	Optional, prior to VIN*	A100W3113F	2
52	Pivot Bolt, M10 x 130, hex. hd., front lower wishbone	Use with 46	Optional, prior to VIN*	A075W2065F	2
53	Bush, A/R bar pivot, '07 MY	Use with 46a	Optional, from VIN*	A120C6002F	2
54	Screw, M8 x 65, cap hd, clamp to chassis	Use with 46a	Optional, from VIN*	A125W7218F	4

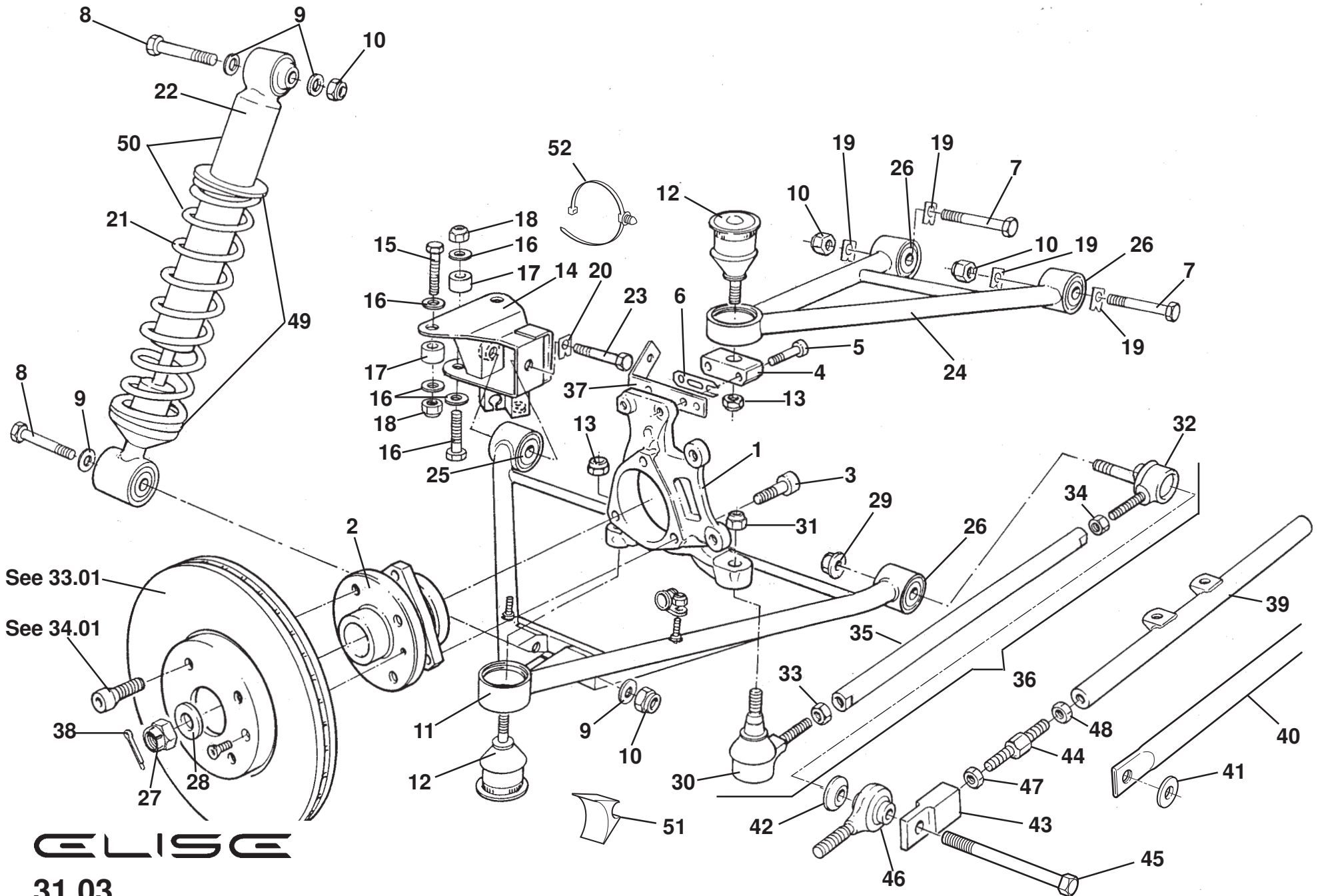
ELISE

Function Code: 31.01, Page: 4

Updated 3rd January 2017

Function Code 31.01 Front Suspension, Incl. Hubs

<u>Dep</u>	<u>Part Description</u>	<u>Remarks</u>	<u>Option</u>	<u>Part Number</u>	<u>Qty</u>
55	Washer, flat, M8 x 25 x 1.5 S/S	Use with 46a clamp side & chassis lower	Optional, from VIN*	B075W4021Z	6
56	Washer, flat, M8 x 16.5 x 1.6 S/S	Use with 46a, chassis upper	Optional, from VIN*	A111W4175F	2
57	Nyloc Nut, M8, clamp to chassis	Use with 46a	Optional, from VIN*	A075W3010Z	4
58	Rubber Mount, ohlins reservoir	Reservoir mounted to wishbone		A128C6002S	4
59	Tie Wrap Clip, ABS sensor			A124W6794F	2
60	'C' Spanner, adjustable damper	Not illustrated	Optional, prior to VIN*	A120C6001F	1
		* Elise R, Exige 7_628; Federal cars, + Elise S 7_0602			
		** Standard on Elise 72D (USA), Elise/Exige RGB, refer to Model History & Service Bulletin's			



ELISE
31.03

Updated 3rd February 2014

Service Parts List **ELISE**



Function Code 31.03 Rear Suspension, Incl. Hubs

<u>Dep</u>	<u>Part Description</u>	<u>Remarks</u>	<u>Option</u>	<u>Part Number</u>	<u>Qty</u>
01	Hub Carrier, LH			A116D0097F	1
01a	Hub Carrier, RH			A116D0096F	1
02	Hub/Bearing Assembly, with wheel speed sensor		All models Kelsey Hayes ABS	A117D6005F	2
03	Screw, M12 x 40, hex. hd., hub assy. to hub carrier			A116W1170F	6
04	Ball Joint Carrier			B117D0067F	2
05	Bolt, M10 x 50, 10.9G, cap hd., carrier to hub carrier			A117W7212F	4
06	Shim, camber adjustment, 1mm		D111D0052F R/B	E111D0052F	As req.
06a	Shim, camber adjustment, 1.5mm			B120D0048F	As req.
07	Pivot Bolt, M10 x 60, hex. hd., upper wishbone F & R			A079W2055F	4
08	Bolt, M10 x 55, hex. hd., damper fixing			A079W2057F	4
09	Washer, flat, M10 x 21 x 2, damper fixing	Black finish		B111W4163F	8
10	Nyloc Nut, M10, 8.8 grade, damper/upper wishbone fixing			A100W3112F	8
11	Wishbone Assembly, lower, LH	Includes balljoint & bushes		C116D0081J	1
11a	Wishbone Assembly, lower, RH	Includes balljoint & bushes		C116D0080J	1
12	Ball Joint			B111C6012F	4
13	Nyloc Nut, M12 x 1.5, balljoint			A100C6019F	4
14	Bracket, lower wishbone to chassis, LH		B120D0023F R/B	C120D0023F	1
14a	Bracket, lower wishbone to chassis, RH		C120D0024F R/B	D120D0024F	1

ELISE

Function Code: 31.03, Page: 1

Updated 3rd January 2017

Function Code 31.03 Rear Suspension, Incl. Hubs

<u>Dep</u>	<u>Part Description</u>	<u>Remarks</u>	<u>Option</u>	<u>Part Number</u>	<u>Qty</u>
15	Bolt, M10 x 40, bracket to chassis			A116W2206F	8
16	Washer, flat, M10 x 21 x 2, bracket to chassis	Black finish		B111W4163F	8
17	Spacer, M10, bracket to chassis			A111D0147F	8
18	Nyloc Nut, M10, bracket to chassis			A100W3112F	8
19	Tab Washer, upper pivot bolts		A116D0031F R/B	B116D0031F	8
20	Tab Washer, lower front pivot bolt			A116D0032F	2
21	Road Spring, standard	Elise		A120D0012H	2
21a	Road Spring	Exige	Elise sport pack option*	A122D0006H	2
21b	Road Spring, sport	'06 MY adjustable damper option Refer to Serv. Note super sport suspensionRefer to Serv. Note super sport suspension	Exige option, Exige 255, 260	A120D0047H	2
22	Damper, standard	Non USA Elise common	USA from 5H_3013, all markets up to Vin FH_0257	A120D0011H	2
22a	Damper, standard	See TSB 2014/09	From vin FH_0258	B120D0011H	2
22b	Damper	Exige	Elise sport pack option*	A122D0008H	2
22c	Damper, federal		USA/Canada, up to 5H_3012	B121D0003H	2
22d	Damper, sport, one way adjustable, red	Use road spring 21b, 06 MY adjustable damper option Refer to Serv. Note super sport suspensionRefer to Serv. Note super sport suspension	Exige option, Exige 255, 260	A120D0046H	2
23	Pivot Bolt, M10 x 65, hex. hd., lower wishbone front			A075W2056Z	2
24	Wishbone Assembly, upper, LH	Includes balljoint & bushes		B116D0085J	1

ELISE

Function Code: 31.03, Page: 2

Updated 3rd January 2017

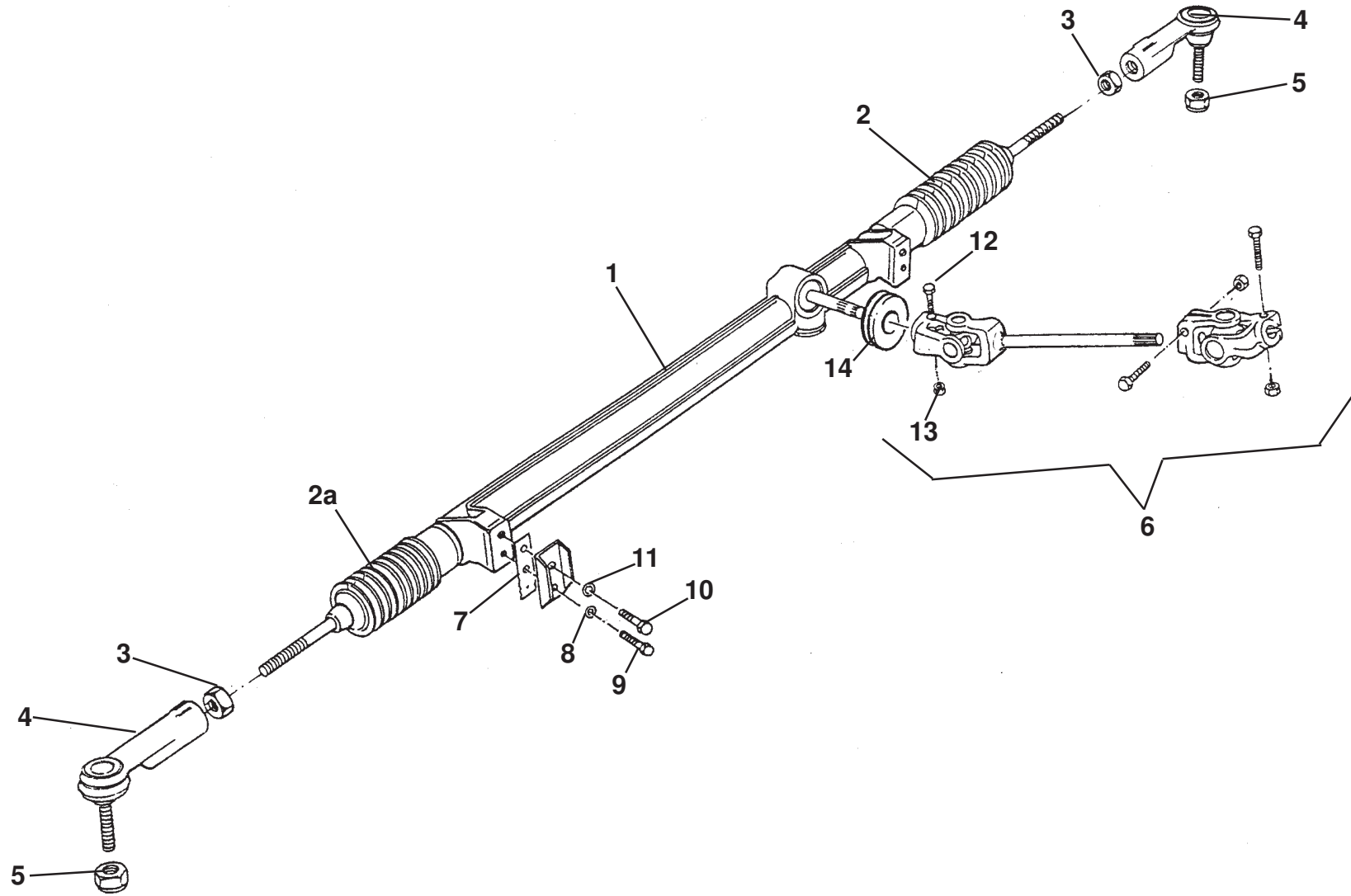
Function Code 31.03 Rear Suspension, Incl. Hubs

<u>Dep</u>	<u>Part Description</u>	<u>Remarks</u>	<u>Option</u>	<u>Part Number</u>	<u>Qty</u>
24a	Wishbone Assembly, upper, RH	Includes balljoint & bushes		B116D0084J	1
25	Bush, lower wishbone front pivot (short)	2 per wishbone		A116C0067F	4
26	Bush, lower wishbone rear/upper wishbones			A116C0068F	6
27	Nut, castellated, shaft to hub			A116D6001F	2
28	Washer, flat, nut to shaft			A120D6018F	2
29	Locknut, flange, cleave, M10 x 1.25, inner toe link fixing		A116W3183F R/B	A117W3189F	2
30	Ball Joint, tapered, outer, RH thread, M10 x 1.25 x 45 stud			A117D0089S	2
31	Nyloc Nut, M12, balljoint to hub carrier			A100C6019F	2
32	Ball Joint, inner, LH thread, M10 x 1.25 x 60 stud			A117D0090S	2
33	Locknut, M12, RH thread, ball joint to rod			A111W3150F	2
34	Locknut, M12, LH thread, ball joint to rod			A111W3149F	2
35	Toe Link Rod			B116D0053S	2
36	Toe Link Assembly		A116D0090F R/B	A117D0088F	2
36a	Toe Link Assembly, excluding inner balljoint	For cars fitted with crossbrace, track control arms		A120D0043F	2
37	Shim/Bracket, connector retaining, LH		Kelsey Hayes ABS	B116C0013F	1
37a	Shim/Bracket, connector retaining, RH		Kelsey Hayes ABS	B116C0012F	1
38	Split Pin, nut to shaft			A116D6003F	2
39	Crossbrace, track control arms	See Service Bulletin 2005/04	240R + aftersales	A120D0040F	1
40	Crossbrace, track control arms	See Service Bulletin 2006/13	'06 MY option	B120D0040F	1
41	Washer, flat, 7/16" X 7/8", bolt to crossbrace	See Service Bulletin 2006/13	'06 MY option	A120W4199F	2

Function Code 31.03 Rear Suspension, Incl. Hubs

Dep	Part Description	Remarks	Option	Part Number	Qty
42	Spacer, joint to subframe	See Service Bulletin 2005/04	240R + aftersales	A120D0035F	2
43	Adaptor Lug	See Service Bulletin 2005/04	240R + aftersales	A120D0037F	2
44	Turnbuckle Adjuster Screw	See Service Bulletin 2005/04	240R + aftersales	A120D0039F	2
45	Pivot Bolt, M10 x 120 x 1.25, hex. hd., lower pivot/TCA	See Service Bulletin 2005/04	240R + aftersales	A120W2212F	2
46	Spherical Balljoint, inner	See Service Bulletin 2005/04	240R + aftersales	B120D0036F	2
47	Locknut, M12, LH thread, adjuster screw	See Service Bulletin 2005/04	240R + aftersales	A111W3149F	2
48	Locknut, M12, RH thread, adjuster screw	See Service Bulletin 2005/04	240R + aftersales	A111W3150F	2
49	Damper Collar & Clip Kit	Upper/lower collars + circlip		A120C6003S	2
50	Spring/Damper Assembly, standard	Non USA Elise common	USA from 5H_3013	A120D0007F	2
50a	Spring/Damper Assembly	Exige	Elise sport pack option*	A122D0007F	2
50b	Spring/Damper Assembly, adjustable, red	Item 22c + 21b, 06 MY adjustable damper option Refer to Serv. Note super sport suspension Refer to Serv. Note super sport suspension	Exige option, Exige 255, 260	A120D0045F	2
50c	Spring/Damper Assembly, Ohlins 2 way adjustable, LH, yellow	Remote reservoir not illustrated	Exige option, Stealth, Skura	A128D4001F	1
50d	Spring/Damper Assembly, Ohlins 2 way adjustable, RH, yellow	Remote reservoir not illustrated	Exige option, Stealth, Skura	A128D4002F	1
51	Rubber Mount, ohlins reservoir			A128C6002S	4
52	Tie Wrap Clip, ABS sensor			A124W6794F	2

* Standard on Elise 72D (USA),
Elise/Exige RGB, refer to Model
History & Service Bulletin's



ELISE

32.01

Updated 3rd January 2017

Service Parts List **ELISE**



Function Code 32.01 Rack & Pinion, & Lower Column

<u>Dep</u>	<u>Part Description</u>	<u>Remarks</u>	<u>Option</u>	<u>Part Number</u>	<u>Qty</u>
01	Steering Rack Assembly, RHD	Use seal A120H0002F	A117H0020F* R/B	A117H0052F**	1
01a	Steering Rack Assembly, LHD	Use seal A120H0002F	A117H0021F* R/B	A117H0053F**	1
02	Gaiter, steering rack, non-pinion end, dia 38mm at rack end	Steel rack tube**		A120H6004S	1
02a	Gaiter, steering rack, pinion end, dia 45mm at rack end	Steel rack tube**		A120H6005S	1
02b	Gaiter, steering rack, dia 32mm at rack end	Alloy rack tube*	Racks prior to A117H0052/53	B111H6016S	2
03	Lock Nut, M12 , track rod end to track rod			A111W3124F	2
04	Track Rod End/Ball Joint	Includes nut, item: 5		A117H0009F	2
05	Nyloc Nut, M10, track rod end to steering arm			A111W3152F	2
06	Intermediate Steering Shaft Assembly	Includes both universal joints	C111H0003F R/B	D111H0003F	1
07	Adjuster Plate, rack height setting (6 notch)			A111H0017F	2
08	Washer, flat, M8, rack mounting			A075W4020Z	2
09	Setscrew, M8 x 25, hex. hd., rack mounting			A082W1110F	2
10	Setscrew, M10 x 30, hex. hd., rack mounting			A100A6028F	2
11	Washer, flat, M10, rack mounting			A075W4024Z	2
12	Bolt, M8 x 40, hex. hd., 10.9 grade, steering shaft to U/J			A918W2171F	4
13	Nyloc Nut, M8, steering shaft to U/J			A075W3010Z	4
14	Grommet, steering shaft thro' bulkhead		Racks prior to A117H0052/53	A082H6046F	1
14a	Seal, steering shaft thro' bulkhead		Racks A117H0052/53	A120H0002F	1

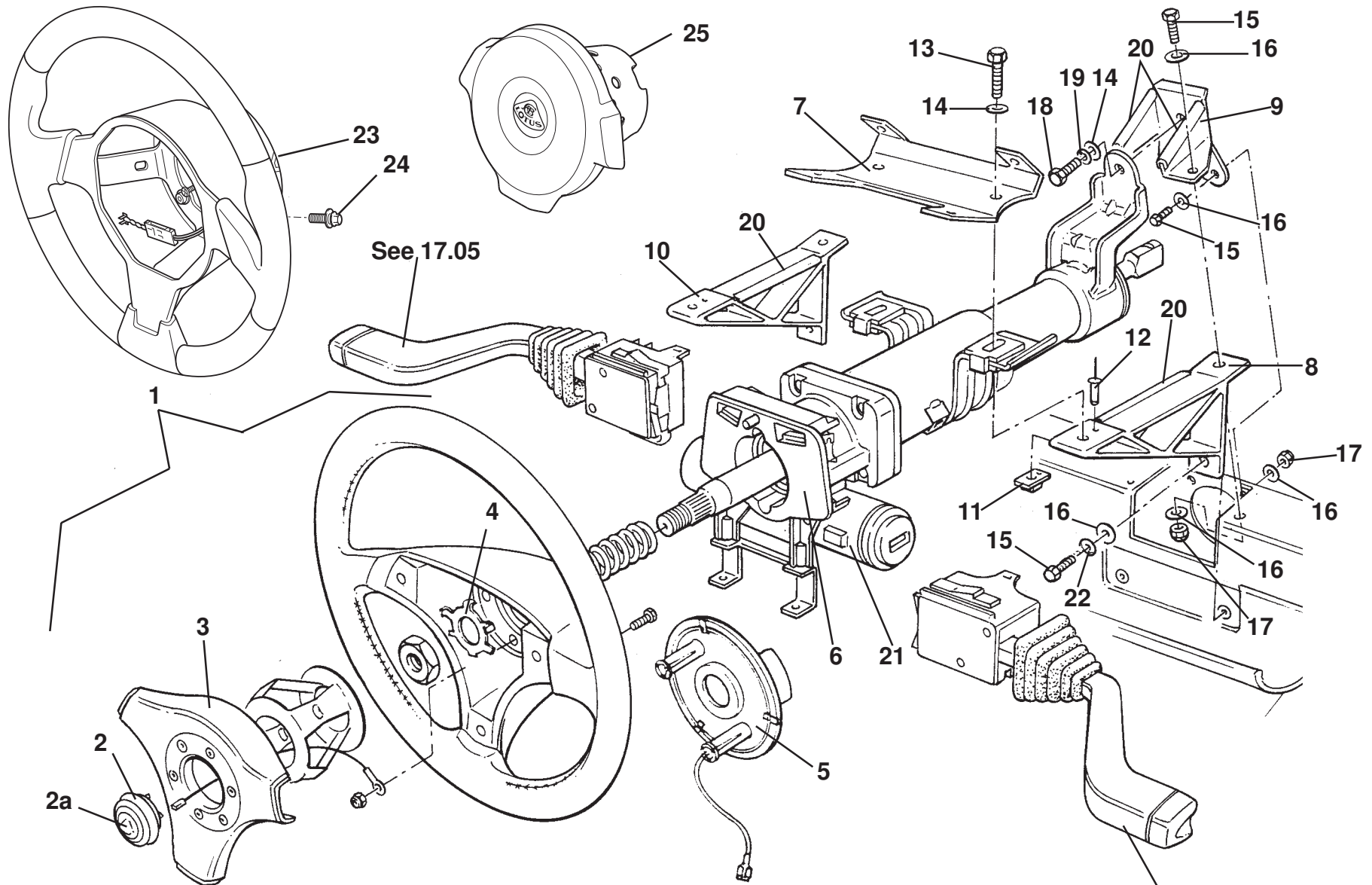
ELISE

Function Code: 32.01, Page: 1

Updated 3rd January 2017

Function Code 32.01 Rack & Pinion, & Lower Column

<u>Dep</u>	<u>Part Description</u>	<u>Remarks</u>	<u>Option</u>	<u>Part Number</u>	<u>Qty</u>
		*Note earlier vins may have part fitted			

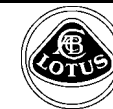


ELISE

32.05

Updated 3rd February 2014

Service Parts List **ELISE**



Function Code 32.05 Upper Column, Steering Wheel

<u>Dep</u>	<u>Part Description</u>	<u>Remarks</u>	<u>Option</u>	<u>Part Number</u>	<u>Qty</u>
01	Steering Wheel Assembly	Silver crash pad	Standard	A117H6004F	1
01a	Steering Wheel Assembly	Red Alcantara crash pad*		A117H0031J	1
01b	Steering Wheel Assembly	Black tooled leather crash pad*		A117H0047J	1
01c	Steering Wheel Assembly	Cranberry red tooled leather c/p*		A117H0049J	1
01d	Steering Wheel Assembly	Harvest brown tooled leather c/p*		A117H0050J	1
01e	Steering Wheel Assembly	Ingleton biscuit tooled leather c/p*		A117H0051J	1
01f	Steering Wheel Assembly	Grey synthetic leather crash pad*		A120H0001J	1
02	Horn Push, (less badge)			A111H6021H	1
02a	Horn Badge			A111H6023H	1
03	Crash Pad, silver		Standard	A117H0016S	1
03e	Crash Pad, black tooled leather	*		A117H0042S	1
03f	Crash Pad, melrose blue tooled leather	*		A117H0043S	1
03g	Crash Pad, cranberry red tooled leather	*		A117H0044S	1
03h	Crash Pad, harvest brown tooled leather	*		A117H0045S	1
03i	Crash Pad, ingleton biscuit tooled leather	*		A117H0046S	1
04	Lock Plate, steering wheel			A111H6009F	1
05	Horn Contact Plate			A111H6008F	1
06	Upper Steering Column	Includes ign. switch/steering lock		A117H6001F	1

ELISE

Function Code: 32.05, Page: 1

Updated 3rd January 2017

Function Code 32.05 Upper Column, Steering Wheel

<u>Dep</u>	<u>Part Description</u>	<u>Remarks</u>	<u>Option</u>	<u>Part Number</u>	<u>Qty</u>
07	Bracket, switch module mounting			B111H0006F	1
07a	Bracket, switch module mounting, federal	Dual SIR cars	USA/Canada	A121H0001F	1
08	Column Mounting Bracket, RH			E117U0016F	1
09	Bracket, forward column mounting			B111H0004F	1
10	Column Mounting Bracket, LH			E117U0135F	1
11	Nutplate, upper column support			B111H0007F	2
12	Pop Rivet, nutplate to bracket			A111W6586F	2
13	Bolt, M8 x 35, hex. hd., column to bracket			A075W2038D	2
14	Washer, flat, M8 x 20 x 2.5			A079W4019F	3
15	Setscrew, M6 x 16, side to forward brk/chassis			A075W1028Z	4
16	Washer, flat, M6 x 12.1 x 1.4			A075W4013Z	8
17	Nyloc Nut, M6			A907E6285F	4
18	Setscrew, M8 x 16 hex. hd., front mounting			A075W1036Z	1
19	Washer, spring, M8			A075W4036Z	1
20	Rubber Beading, bracket edge protection			B075U6054V	0.3M
21	Steering Lock Housing	Excluding lock barrel, see 10.17, item 1		A111H6003S	1
22	Washer, spring, M6			A075W4035Z	2
23	Steering Wheel Assembly, SIR, leather	Includes rotary connector	USA/Canada, all '08 MY	A116U0085F	1
23a	Steering Wheel Assembly, SIR, carbon grey, microfibre rim	Includes rotary connector, Silver centre strip on rim	Elise Club Racer '10 MY, Exige Stealth	A120U0151F	1

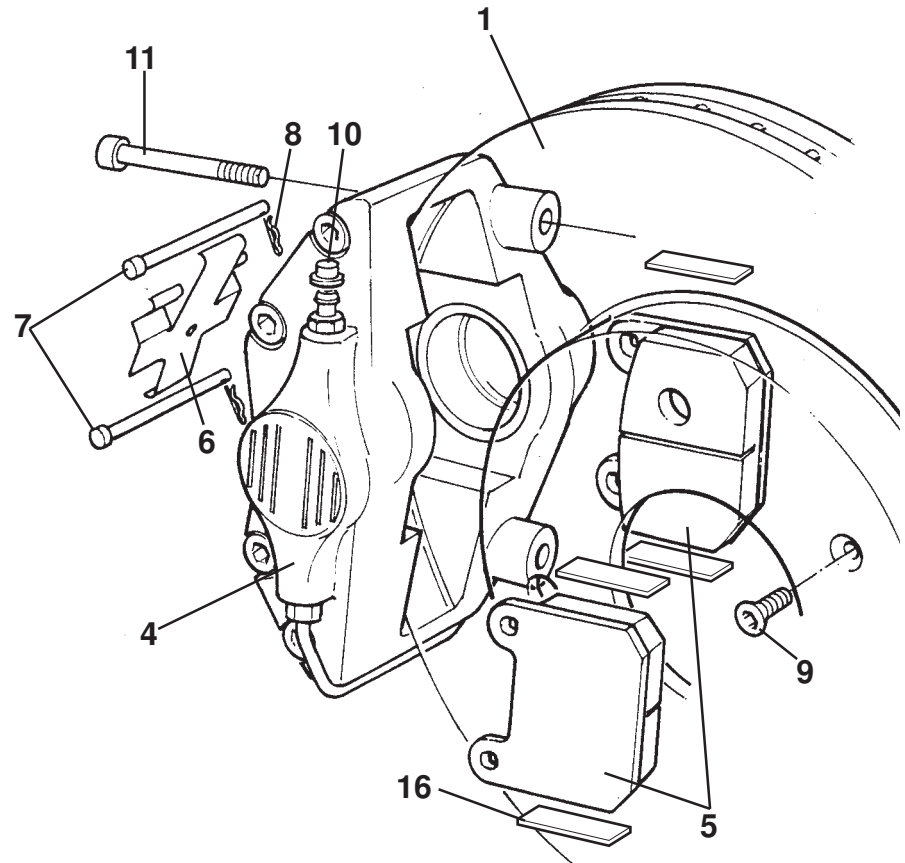
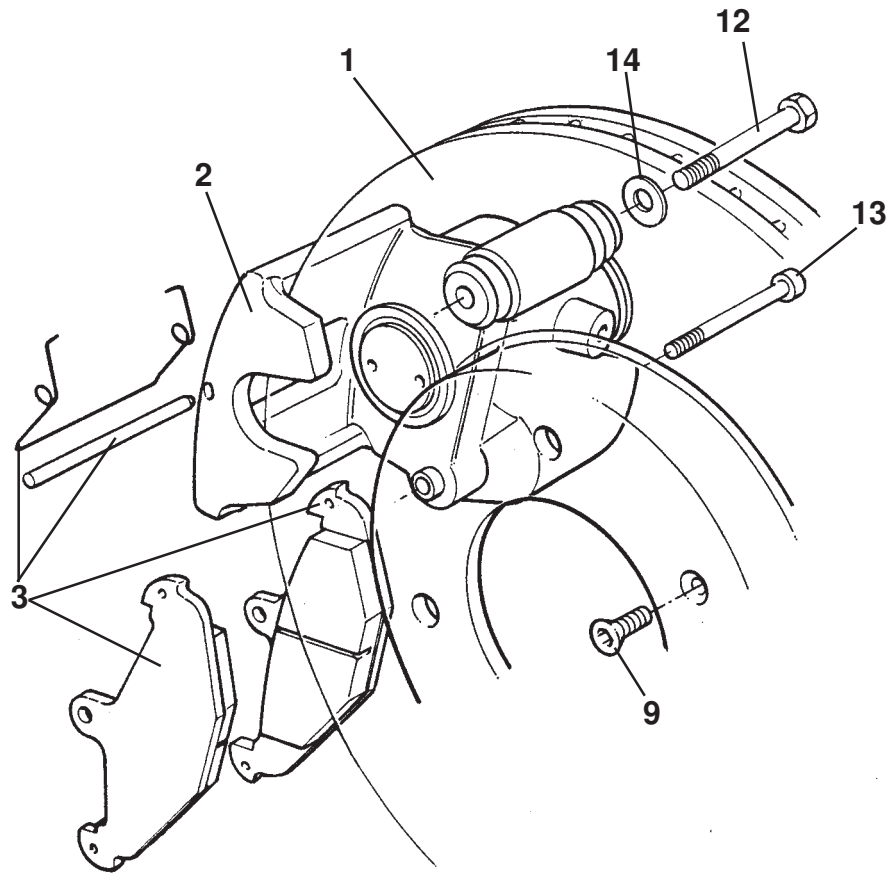
ELISE

Function Code: 32.05, Page: 2

Updated 3rd January 2017

Function Code 32.05 Upper Column, Steering Wheel

<u>Dep</u>	<u>Part Description</u>	<u>Remarks</u>	<u>Option</u>	<u>Part Number</u>	<u>Qty</u>
24	Shear Bolt, steering lock			A111H6026S	2
25	Boss, foam, non-airbag	Non-airbag option	Exige Cup 260	A128B0163J	1
		*Trimmed crash pad no longer available, order standard and trim locally			



ELISE
33.01

Updated 15th March 2012

Service Parts List **ELISE**



Function Code 33.01 Brake Discs, Calipers, & Parking Brake Assembly

<u>Dep</u>	<u>Part Description</u>	<u>Remarks</u>	<u>Option</u>	<u>Part Number</u>	<u>Qty</u>
01	Brake Disc, cross drilled			C117J0031F	4
02	Brake Caliper, rear, RH	Includes brake pads, T4139		A116J0080F	1
02a	Brake Caliper, rear, RH	No brake pads		A116J0082S	1
02b	Brake Caliper, rear, LH	Includes brake pads, T4139		A116J0079F	1
02c	Brake Caliper, rear, LH	No brake pads		A116J0081S	1
03	Brake Pad Set, rear			B117J0085S	1
04	Brake Caliper, front, RH, 'lotus'	Includes brake pads, T4139		A117J0132F	1
04a	Brake Caliper, front, LH, 'lotus'	Includes brake pads, T4139		A117J0131F	1
04b	Brake Caliper, front, black, RH, 'Lotus'	Includes brake pads, T4139		B117J0134F	1
04c	Brake Caliper, front, black, LH, 'lotus'	Includes brake pads, T4139		B117J0133F	1
04d	Brake Caliper, front, RH, 'AP Racing'	Includes brake pads, T4139		A116J0078F	1
04e	Brake Caliper, front, LH, 'AP Racing'	Includes brake pads, T4139		A116J0077F	1
05	Brake Pad Set, front			B117J0084S	1
05a	Shims, metal, pad front, RH	Not illustrated, if original fitted		A117J0114H	1
05b	Shims, metal, pad front, LH	Not illustrated, if original fitted		A117J0115H	1
06	Anti-Rattle Spring, front brake pads			B111J0098H	2
07	Pin, front pad retaining			B111J0123H	4
08	'R' clip, pin retention			A075W6175F	4

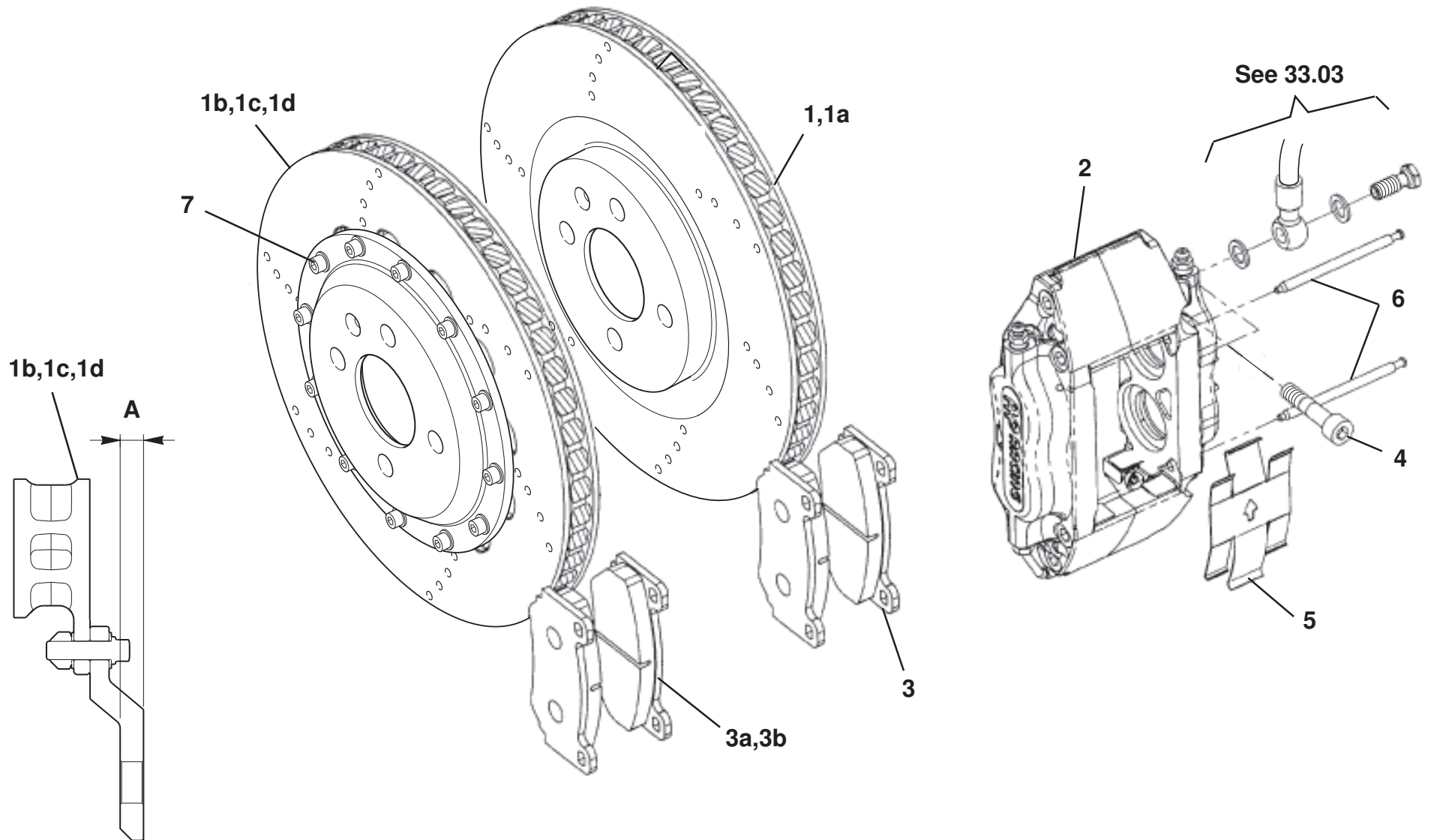
ELISE

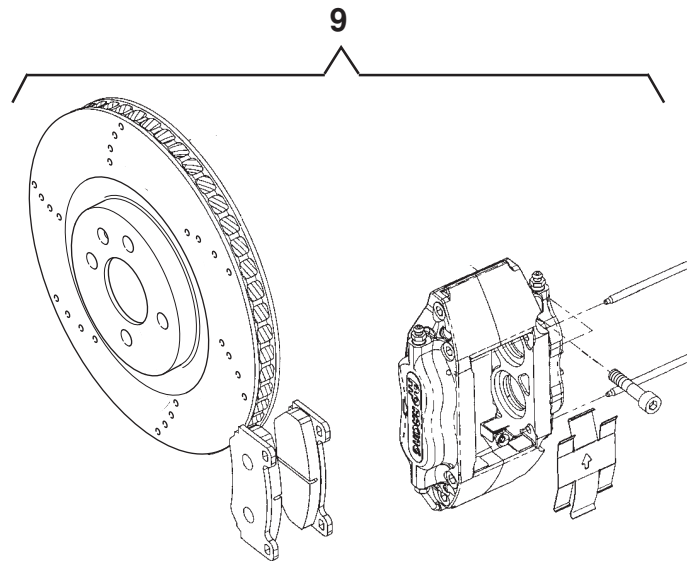
Function Code: 33.01, Page: 1

Updated 3rd April 2017

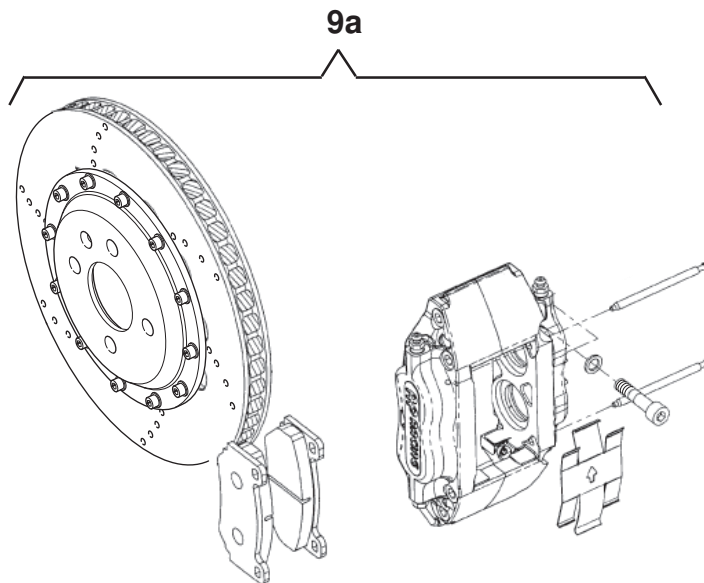
Function Code 33.01 Brake Discs, Calipers, & Parking Brake Assembly

<u>Dep</u>	<u>Part Description</u>	<u>Remarks</u>	<u>Option</u>	<u>Part Number</u>	<u>Qty</u>
09	Screw, M6 x 16, csk., skt., hd., disc to hub			A918W7120F	4
10	Nipple Cover, front brake bleed			A111J6029F	2
11	Bolt, M10 x 65, cap hd., front caliper fixing			A111W7144F	4
12	Bolt, M10 x 80, hex. hd., rear caliper fixing			B082W1113F	2
13	Bolt, M8 x 60, cap hd., rear caliper fixing	Black finish		A111W1166F	2
14	Washer, flat, M10 x 20.5, rear caliper upper fixing bolt			A075W4024Z	2
15	Sliding Pin Bush Kit, rear calipers	Includes sleeves, boots & seals		A082J6162S	2
16	Buffer, front brake pads	Self adhesive to caliper		A111J6030S	4
17	Piston Retraction Tool, rear calipers	Not illustrated		T000T1242F	1

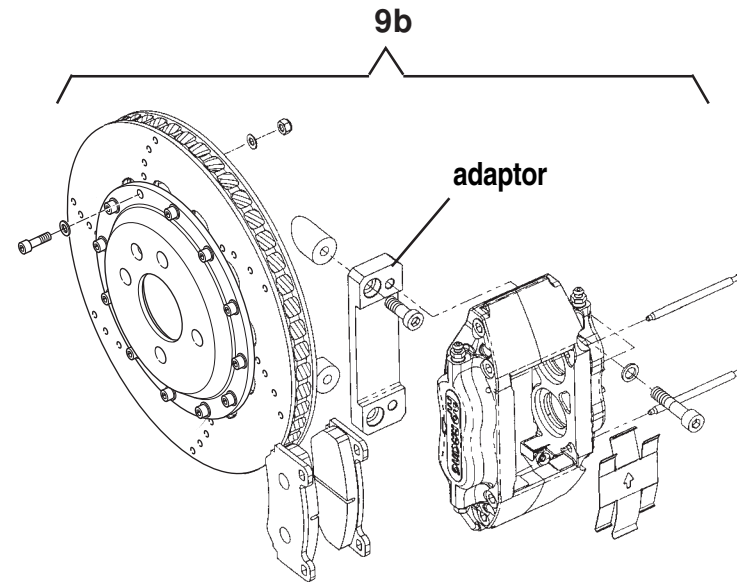




Big Brake Kit (fast road) single piece disc without adaptor

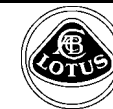


Big Brake Kit (sport) 2 piece disc without adaptor



Big Brake Kit (early option) 2 piece disc with adaptor

Service Parts List **ELISE**



Function Code 33.01a Brake Discs & Calipers, AP Racing options

<u>Dep</u>	<u>Part Description</u>	<u>Remarks</u>	<u>Option</u>	<u>Part Number</u>	<u>Qty</u>
01	Disc, single piece, front, 308mm dia. LH		Fast road	A120J4003F	1
01a	Disc, single piece, front, 308mm dia. RH		Fast road	A120J4004F	1
01b	Disc/Bell Assembly, front, 308mm dia. LH	2 piece, dimension 'A' = 8mm mounting bell	Sport	A128J4003F	1
01c	Disc/Bell Assembly, front, 308mm dia. RH	2 piece, dimension 'A' = 8mm mounting bell	Sport	A128J4004F	1
01d	Disc/Bell Assembly, front, 308mm dia. (pair)	2 piece, dimension 'A' = 11mm mounting bell, for calipers with adaptor*	Early option	A120J6012S	1
02	Caliper, four piston, LH, no adaptor		Fast road, Ferodo pads	A120J4001F	1
02a	Caliper, four piston, RH, no adaptor		Fast road, Ferodo pads	A120J4002F	1
02b	Caliper, four piston, LH, no adaptor		Sport, Pagid pads	A128J4001F	1
02c	Caliper, four piston, RH, no adaptor		Sport, Pagid pads	A128J4002F	1
03	Brake Pad Set, front, Ferodo DS25HP, 14.5mm thick		Fast road	A120J0051S	1
03a	Brake Pad Set, front, Pagid RS14B, 14.5mm thick		Sport	A128J0003S	1
03b	Brake Pad Set, front, Pagid RS14B, 16.5mm thick	For calipers with adaptor	Early option	A120J6011S	1
04	Bolt, M10 x 85, cap hd., front caliper fixing	Caliper without adaptor		A120W2215F	4
05	Clip, anti-rattle			A120J6024S	2
06	Pin, pad retaining			A120J6025S	4
07	Brake Disc Bolt Kit, front, bell to disc	For two piece disc, supplied per disc		A120J6013S	2

ELISE

Function Code: 33.01a, Page: 1

Updated 1st October 2013

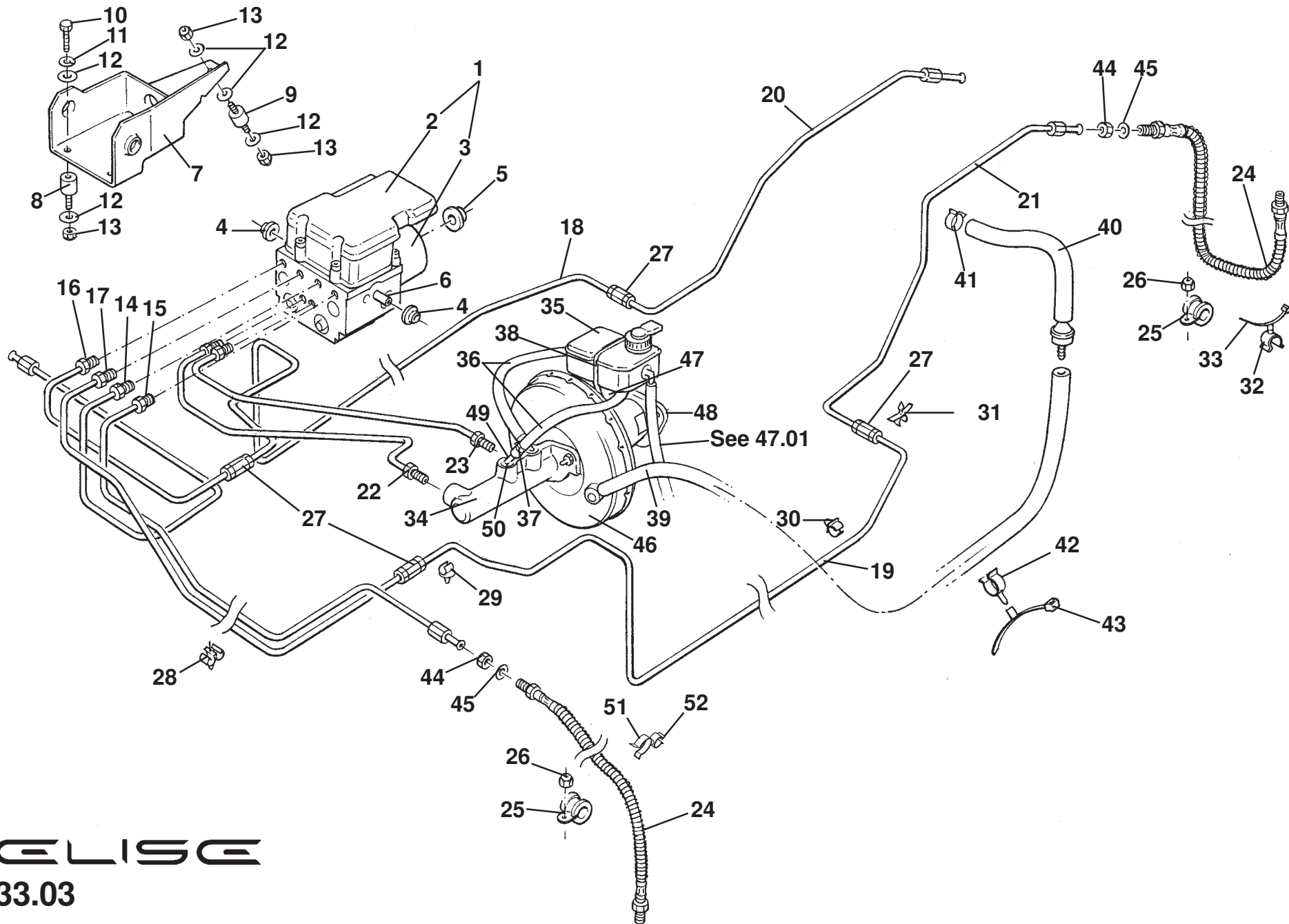
Function Code 33.01a Brake Discs & Calipers, AP Racing options

<u>Dep</u>	<u>Part Description</u>	<u>Remarks</u>	<u>Option</u>	<u>Part Number</u>	<u>Qty</u>
08	Brake Pad Set, rear, Ferodo DS25HP	Not illustrated	Fast road	A120J6014F	1
08a	Brake Pad Set, rear, Pagid RS14B	Not illustrated	Sport	A128J6000F	1
09	Retrofit Big Brake Kit, fast road	Ferodo pads, single piece discs	Fast road	A120J0045S	1
09a	Retrofit Big Brake Kit, sport	Pagid pads, two piece discs	Sport	A120J0046S	1
09b	Front 'Big Brake' Kit	2x discs (11mm bell), 4x pads, 2x caliper adaptors, pins, banjos, bolts etc.*	Early option	A120J6010F	1

*Note: use 28mm wheelbolts, see 34.01

Please refer to Service Bulletin 2009/01 for details regarding different brake options. Also refer to drawing above to identify the two 2 piece variants

Early option: Exige S 240/260,
Fast road: Exige S 240 later option,
Sport: Exige 260 later option



ELISE
33.03

Updated 3rd January 2017

Service Parts List **ELISE**



Function Code 33.03 Master Cylinder, Servo, ABS Controller, Pipes & Hoses

<u>Dep</u>	<u>Part Description</u>	<u>Remarks</u>	<u>Option</u>	<u>Part Number</u>	<u>Qty</u>
01	ABS Control Module	Kelsey Hayes ABS	1ZZ/2ZZ power train	A120J6000F	1
02	ECU Kit, ABS actuator	Kelsey Hayes ABS	Kelsey Hayes ABS	A120J6004S	1
03	HCU Kit, ABS actuator	Kelsey Hayes ABS	Kelsey Hayes ABS	A116M0091S	1
04	Grommet, small, module to bracket sides			A116J6001F	2
05	Grommet, large, module to bracket rear			A116J6002F	1
06	Bolts, ABS kit			A116J6003F	1
07	Bracket, ABS module mounting, RHD			A116J0002F	1
07a	Bracket, ABS module mounting, LHD			A116J0001F	1
08	Rubber Bobbin, bracket to mount	One stud, one tapped insert		A082J6177F	2
09	Rubber Isolator Bush, bracket to body	Two studs		A082J6170F	1
10	Screw, M6 x 10, hex. hd., bobbin to bracket			A075W1026Z	2
11	Washer, spring, M6, bobbin to bracket			A075W4035Z	2
12	Washer, flat, M6 x 15, bobbin to bracket			A075W4015Z	6
13	Nyloc Nut, M6, bobbin fix.			A075W3009Z	4
14	Pipe, ABS to front RH, RHD			B116J0017F	1
14a	Pipe, ABS to front RH, LHD			A116J0018F	1
15	Pipe, ABS to front LH, RHD			B116J0016F	1
15a	Pipe, ABS to front LH, LHD			A116J0019F	1

ELISE

Function Code: 33.03, Page: 1

Updated 3rd January 2017

Function Code 33.03 Master Cylinder, Servo, ABS Controller, Pipes & Hoses

<u>Dep</u>	<u>Part Description</u>	<u>Remarks</u>	<u>Option</u>	<u>Part Number</u>	<u>Qty</u>
16	Pipe, ABS to sill RH, RHD			B116J0020F	1
16a	Pipe, ABS to sill RH, LHD			A116J0022F	1
17	Pipe, ABS to sill LH, RHD			B116J0021F	1
17a	Pipe, ABS to sill LH, LHD			A116J0023F	1
18	Pipe, front to rear sill, RH			C116J0028F	1
19	Pipe, front to rear sill, LH			B116J0027F	1
20	Pipe, sill to flexi rear, RH			B120J0004F	1
21	Pipe, sill to flexi rear, LH			B120J0003F	1
22	Pipe, ABS to master cylinder front port, RHD			C116J0030F	1
22a	Pipe, ABS to master cylinder front port, LHD			B116J0029F	1
23	Pipe, ABS to master cylinder rear port, RHD			C116J0032F	1
23a	Pipe, ABS to master cylinder rear port, LHD			B116J0031F	1
24	Hose, pipe to caliper, front & rear	USA Certification	A082J4390F R/B	B082J4390F	4
24a	Hose, braided, pipe to caliper, front & rear	Rear only on big brake cars (2 off)		A120J0044F	4
24b	Hose Assembly, braided, pipe to caliper, front	Includes banjo bolt, sealing washers and 'P' clip	Big brake option	A120J0043F	2
25	Clip, 10mm dia. x 15 wide, hose retention	Upper front, lower rear wishbones		A111W6595F	4
26	Nyloc Nut, M6, thin Zn, clip to wishbone			A907E6285F	4
27	Connector, brake pipes			A116J6032F	4
28	Clip, double, pipes to scuttle		LHD	A116W6668F	2
29	Clip, button, single, pipe to scuttle	Cut to clear extrusion		A116W6661F	2

Function Code 33.03 Master Cylinder, Servo, ABS Controller, Pipes & Hoses

<u>Dep</u>	<u>Part Description</u>	<u>Remarks</u>	<u>Option</u>	<u>Part Number</u>	<u>Qty</u>
30	Clip, single, pipe to chassis siderail			A082W6457F	8
31	Clip, single, pipe to chassis rear			A116W6700F	2
32	Swivel Clip, rear hoses to toe links			A089W6287F	2
33	Cable Tie, rear hoses to toe links			A082W6324F	2
34	Master Cylinder			A116J0047H	1
35	Brake Fluid Reservoir			A116J0048F	1
36	Hose, reservoir to master cylinder			A116J0074H	2
37	Hose Clip, hose to spigots			A116J0073H	4
38	Cable Tie, reservoir to bracket			B075W6045Z	1
39	Hose, vacuum, servo to check valve		2ZZ, 1ZZ, 3390mm	A116J6038F	1
40	Hose Assembly, 2ZZ	Includes check valve	111R + fed., Exige, Elise R	A120J0008K	1
40a	Hose, 1ZZ		Elise S, '07 MY	A131J0001F	1
41	Hose Clamp, 14mm, hose to throttle body			A116K6017F	1
42	Swivel Clip, hose to heater pipe			A082W6587F	6
43	Cable Tie, heater pipe to hose			A082W6324F	6
44	Nut, M10 x 1.0, thin Zn, pipe to hose			A075J6017Z	4
45	Washer, M10, internal shakeproof, pipe to hose			A075W4049Z	4
46	Brake Servo			A116J0051H	1
47	Bracket, reservoir mounting, LHD			A116J0050H	1
47a	Bracket, reservoir mounting, RHD			A116J0084H	1
48	Bracket, servo to pedal box			A116J0049H	1

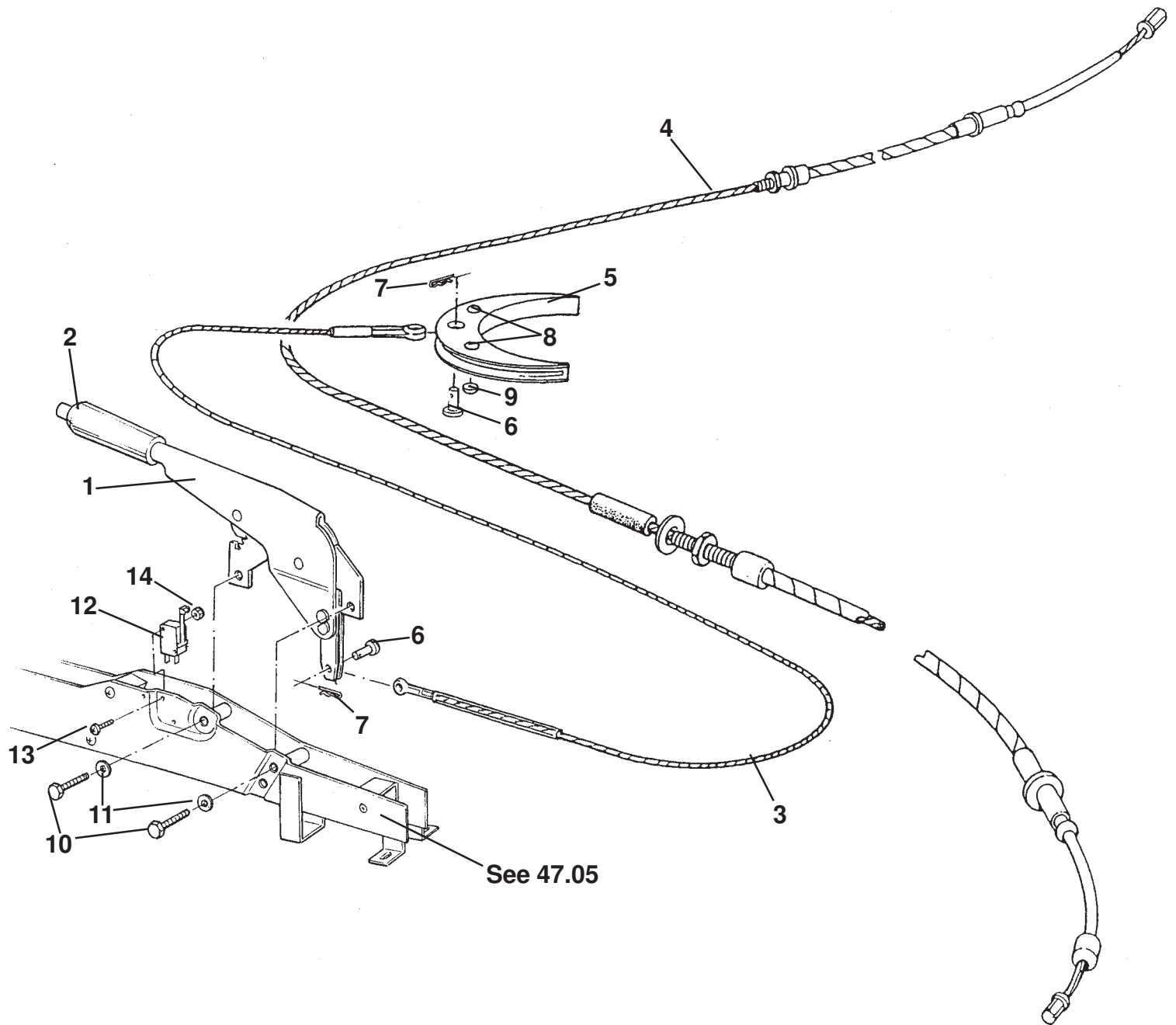
ELISE

Function Code: 33.03, Page: 3

Updated 3rd January 2017

Function Code 33.03 Master Cylinder, Servo, ABS Controller, Pipes & Hoses

<u>Dep</u>	<u>Part Description</u>	<u>Remarks</u>	<u>Option</u>	<u>Part Number</u>	<u>Qty</u>
49	Spigot, hoses to master cylinder			A120J6003S	2
50	Grommet, spigot to master cylinder			A120J6008S	2
51	Clip Swivel, 6-10mm, brake hose			A116W6656F	6
52	Clip, wheel speed sensor			A082W6325F	6



ELISE
33.05

Updated 21st November 2011

Service Parts List **ELISE**



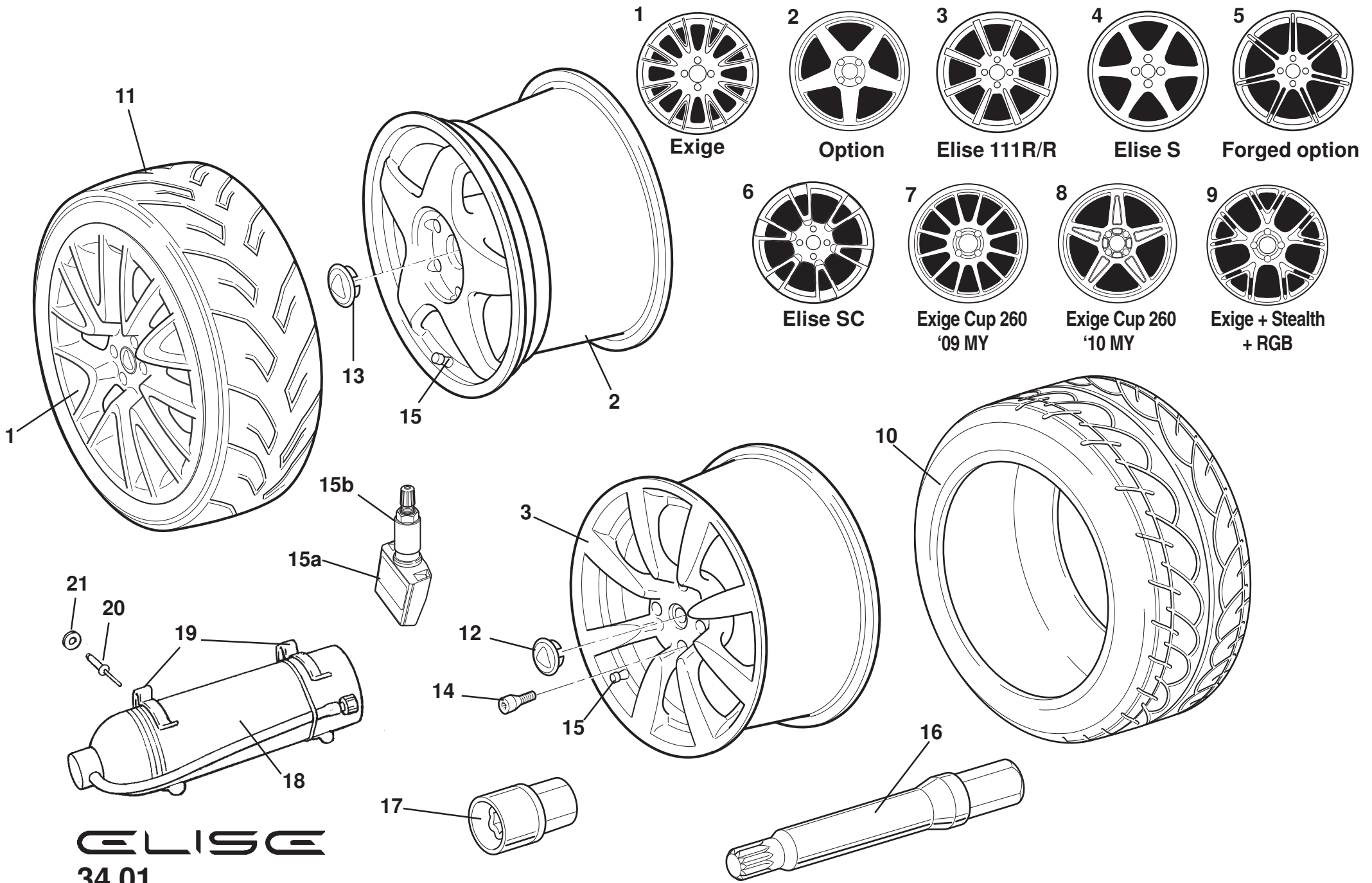
Function Code 33.05 Parking Brake Mechanism

<u>Dep</u>	<u>Part Description</u>	<u>Remarks</u>	<u>Option</u>	<u>Part Number</u>	<u>Qty</u>
01	Parking Brake Assembly, without hand grip			A116J0015H	1
02	Hand-Grip, alloy, satin finish, parking brake lever			A117U0147F	1
02a	Hand-Grip, alloy, carbon grey finish, parking brake lever		Elise Club Racer	A120U0149F	1
02b	Hand-Grip Assembly, leather			A132U0211J	1
03	Cable, parking brake primary			A120J0005H	1
04	Cable, parking brake secondary	Includes equaliser	D116J0062F R/B	A120J0039F	1
05	Equaliser, parking brake	Bumper type, cushion type P/O item 4		A117J0120F	1
06	Clevis Pin, M8 x 10.5, cable fixing			A111W6674F	2
07	'R' Clip, pin fixing			A075W6175F	2
08	Bumper, self adhesive			A111J6025F	2
09	Bumper, self adhesive			A111J6027F	2
10	Screw, M8 x 25, hex. hd., lever to bracket			A075W1039Z	2
11	Washer, flat, M8 x 16 x1.4, lever to bracket			A075W4020Z	2
12	Switch, parking brake tell tale			A116J6009H	1
13	Screw, M3 x 16, pan hd. pozi., switch to bracket			A082W5110F	2
14	Nyloc Nut, M3, switch to bracket			A079W3060F	2
15	Foam, self adhesive, equaliser	Not illustrated		A100B0431V	1

ELISE

Function Code: 33.05, Page: 1

Updated 1st November 2016



ELISE
34.01

Updated 27th february 2013

Service Parts List **ELISE**



Function Code 34.01 Wheels, Tyres & Valves

<u>Dep</u>	<u>Part Description</u>	<u>Remarks</u>	<u>Option</u>	<u>Part Number</u>	<u>Qty</u>
01	Road Wheel, front, eight V spoke, black 6.5 x 16	****	Exige	A122G0007H	2
01a	Road Wheel, rear, eight V spoke, black 7.5 x 17	****	Exige	A122G0008H	2
01b	Road Wheel, front, eight V spoke, silver 6.5 x 16	****	Exige Cup cars	LOTAC05382	2
01c	Road Wheel, rear, eight V spoke, silver 7.5 x 17	****	Exige Cup cars	LOTAC05383	2
01d	Road Wheel, front, eight V spoke, gold 6.5 x 16	****	Elise type 72	A120G0063S	2
01e	Road Wheel, rear, eight V spoke, gold 7.5 x 17	****	Elise type 72	A120G0064S	2
02	Road Wheel, rear, five spoke, black + silver rim, 8.0 x 17	Forged****	Clark Type 25 SC	ALS3X0130F	2
02a	Road Wheel, front, five spoke, black + silver rim, 7.0 x 16	Forged****	Clark Type 25 SC	ALS3X0129F	2
02b	Road Wheel, rear, five spoke, black, 8.0 x 17	Forged, also 2-Eleven****	Option	A127G0002F	2
02c	Road Wheel, front, five spoke, black, 7.0 x 16	Forged, also 2-Eleven****	Option	A127G0001F	2
02d	Road Wheel, rear, five spoke, HP silver, 8.0 x 17	Forged, first use: Exige 240R****	Option	A127G0003F	2
02e	Road Wheel, front, five spoke, HP silver, 7.0 x 16	Forged, first use: Exige 240R****	Exige option	A127G0004F	2
02f	Road Wheel, rear, five spoke, black + gold rim, 8.0 x 17	Forged****	Type 72	A122G0018S	2
02g	Road Wheel, front, five spoke, black + gold rim, 7.0 x 16	Forged****	Type 72	A122G0017S	2
03	Road Wheel, front, eight spoke, HP silver light, 5.5J x 16	****		A117G0138S	2
03a	Road Wheel, rear, eight spoke, HP silver light, 7.5J x 17	Use centre cover, item 12****	Prior to VIN: 5 33180	A121G0005H	2
03b	Road Wheel, rear, eight spoke, HP silver light, 7.5J x 17	Use centre cover, item 12a****	From VIN: 5 33180	B121G0005H	2
03c	Road Wheel, front, eight spoke, black 5.5J x 16	****	Optional	C117G0028H	2

ELISE

Function Code: 34.01, Page: 1

Updated 3rd April 2017

Function Code 34.01 Wheels, Tyres & Valves

<u>Dep</u>	<u>Part Description</u>	<u>Remarks</u>	<u>Option</u>	<u>Part Number</u>	<u>Qty</u>
03d	Road Wheel, rear, eight spoke, black, 7.5J x 17	****	Optional	A120G0023H	2
04	Road Wheel, front, six spoke, HP silver, 5.5J x 16	****	Elise S, '07 MY	A131G0006H	2
04a	Road Wheel, rear, six spoke, HP silver, 7.5J x 17	****	Elise S, '07 MY	B131G0001H	2
04b	Road Wheel, front, six spoke, stealth grey, 5.5J x 16	****	Elise Club Racer '10 MY	A120G0057F	2
04c	Road Wheel, rear, six spoke, stealth grey, 7.5J x 17	****	Elise Club Racer '10 MY	A120G0058F	2
05	Road Wheel, front, seven, split spoke, forged/anodised	6.5 x 16, Exige tyre****	Optional	A121G0013H	2
05a	Road Wheel, rear, seven, split spoke, forged/anodised	7.5 x 17, all tyres****	Optional	A121G0015H	2
05b	Road Wheel, front, seven, split spoke, forged/silver	6.5 x 16, Exige tyre****	Optional	A117G0124H	2
05c	Road Wheel, rear, seven, split spoke, forged/silver	7.5 x 17, all tyres****	Optional	A120G0019H	2
05d	Road Wheel, front, seven, split spoke, forged/HP silver	6.5 x 16, Exige tyre****	Optional	A120G0032H	2
05d	Road Wheel, front, seven, split spoke, forged/HP silver	6.0 x 16, standard tyre****	Optional	A120G0042H	2
05e	Road Wheel, rear, seven, split spoke, forged/HP silver	7.5 x 17, all tyres****	Optional	A120G0033H	2
05e	Road Wheel, front, seven, split spoke, forged/black	6.0 x 16, standard tyre****	Optional	A120G0047H	2
05f	Road Wheel, rear, seven, split spoke, forged/black	7.5 x 17, all tyres****	Optional	A120G0027H	2
05g	Road Wheel, front, seven, split spoke, forged/black	6.5 x 16, Exige tyre****	Optional	A120G0026H	2
06	Road Wheel, front, six V spoke, HP silver, 6.0J x 16	****	Elise SC	A120G0048F	2
06a	Road Wheel, rear, six V spoke, HP silver, 8.0J x 17	****	Elise SC	A120G0049F	2
07	Road Wheel, front, six V spoke, forged, 7.0 x 16	****	Exige Cup 260, '09 MY	A122G0015F	2
07a	Road Wheel, rear, six V spoke, forged, 8.0 x 17	****	Exige Cup 260, '09 MY	A122G0016F	2
08	Road Wheel, front, five spoke, forged,satin black, 7.0 x 16	Ultra lightweight****	2010 MY Cup 260, option , Exige Club Racer	A128G0007F	2

ELISE

Function Code: 34.01, Page: 2

Updated 3rd April 2017

Function Code 34.01 Wheels, Tyres & Valves

<u>Dep</u>	<u>Part Description</u>	<u>Remarks</u>	<u>Option</u>	<u>Part Number</u>	<u>Qty</u>
08a	Road Wheel, rear, five spoke, forged, satin black, 8.0 x 17	Ultra lightweight****	2010 MY Cup 260, option , Exige Club Racer	A128G0008F	2
08b	Road Wheel, front, five spoke, forged,gloss black, 7.0 x 16	Ultra lightweight****	Option	ALS3G0064F	2
08c	Road Wheel, rear, five spoke, forged, gloss black, 8.0 x 17	Ultra lightweight****	Option	ALS3G0065F	2
08d	Road Wheel, front, five spoke, forged, HP silver, 7.0 x 16	Ultra lightweight****	Option	ALS3G0066F	2
08e	Road Wheel, rear, five spoke, forged, HP silver, 8.0 x 17	Ultra lightweight****	Option	ALS3G0067F	2
08f	Road Wheel, front, five spoke, forged, silver, 7.0 x 16	Ultra lightweight****	Option	ALS3G0062F	2
08g	Road Wheel, rear, five spoke, forged, silver, 8.0 x 17	Ultra lightweight****	Option	ALS3G0063F	2
09	Road Wheel, front, five Y spoke, forged, black, 6.0 x 16	Satin black****	Exige option, Exige Stealth & RGB	A128G0003F	2
09a	Road Wheel, rear, five Y spoke, forged, black, 8.0 x 17	Satin black****	Exige option, Exige Stealth & RGB	A128G0004F	2
10	Tyre, front, 175/55 R16, Yokohama Advan Neova AD07	Common from '06 MY ***	USA/Can. A121G0007L R/B	B121G0007L	2
10a	Tyre, front, 175/55 R16, Bridgestone Potenza		111R, prior to '06 MY	B117G0005L	2
10b	Winter Tyre, front, 195/50 R16, Pirelli W210 Snowsport	Use OE type wheels	Dealer fit	A117G0119S	2
10c	Tyre, rear, 225/45 R17, Yokohama Advan Neova AD07	Common from '06 MY ***	USA/Canada	A121G0006L	2
10d	Tyre, rear, 225/45 R17, Bridgestone Potenza		111R, prior to '06 MY	B117G0018L	2
10e	Winter Tyre. rear, 215/45 R17, Pirelli W240 Snowsport	Use OE type wheels	Dealer fit	A120G6001S	2
11	Tyre, front, 195/50 R16, Yokohama A048	Also: Elise Clark Type 25, Elise SC	Exige	B122G0013L	2
11a	Tyre, front, 195/50 R16, Toyo R888		Exige, Gulf states only	A120G6006F	2
11b	Tyre, rear, 225/45 R17, Yokohama A048	Also: Elise Clark Type 25, Elise SC	Exige	B117G0131L	2

ELISE

Function Code: 34.01, Page: 3

Updated 3rd April 2017

Function Code 34.01 Wheels, Tyres & Valves

<u>Dep</u>	<u>Part Description</u>	<u>Remarks</u>	<u>Option</u>	<u>Part Number</u>	<u>Qty</u>
11c	Tyre, rear, 225/45 R17, Toyo R888		Exige, Gulf states only	A120G6007F	2
12	Centre Cap, Lotus logo	50mm dia 28mm deep, also forged wheels items 5-5g	Elise, prior to VIN: 5 33180	A120G0045F	4
12a	Centre Cap, Lotus logo	50mm dia 13mm deep, flush fitting	Exige, + Elise VIN: 5 33180 on	A120G0046F	4
13	Centre Cap, Lotus logo, 5 spoke + 5 Y spoke forged wheel	60mm dia 15mm deep	Exige Cup 260, Elise Clark Type 25 SC	A132G0174F	4
13a	Centre Cap, Lotus logo, 5 spoke + 5 Y spoke forged wheel	60mm dia 10mm deep	Exige Stealth + Scura+RGB	A128G0013F	4
14	Wheel Bolt, socket hd. 25mm thread			B117G6000F	12
14a	Wheel Bolt, socket hd. 28mm thread, black	Used with AP Racing front brakes**	Optional	A120G6004F	16
15	Tyre Valve		Common	A117G6007F	4
15a	Tyre Valve/TPMS Transmitter	Does not include item 15b	Option by market	A121G6000F	4
15b	Nut, conical seal, TPMS transmitter		Option by market	A121G6001F	4
16	Wheel Bolt Adaptor, standard bolt			A117G0036F	1
17	Security Wheelbolt Kit, short key	Incl. ID strip & instruction card*		B117G0043F	1
18	Tyre Weld, repair canister			A116G6009F	1
19	Terry Clip, canister retaining			A111W6590F	2
20	Pop Rivet, clip to bulkhead			A075W6090Z	4
21	Washer, flat, clip to bulkhead			A075W4084F	4
22	Emergency Tyre Inflator, Gulf states	Not illustrated	Gulf States	A120G6005F	1
23	Spigot ring, forged wheels	Not illus. comes with forged wheels		A127G0009S	4

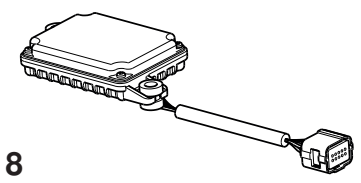
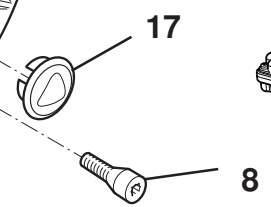
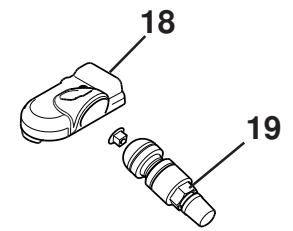
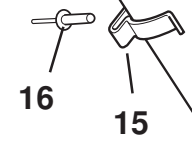
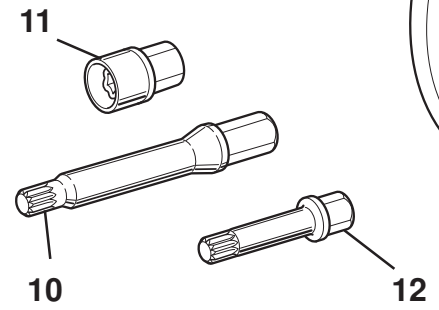
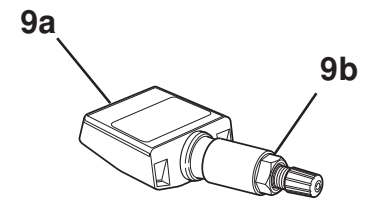
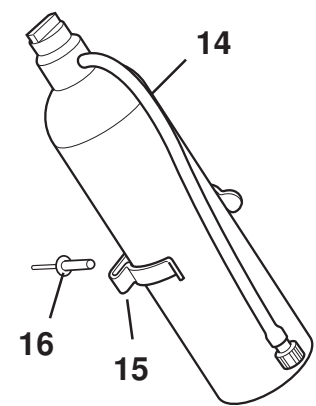
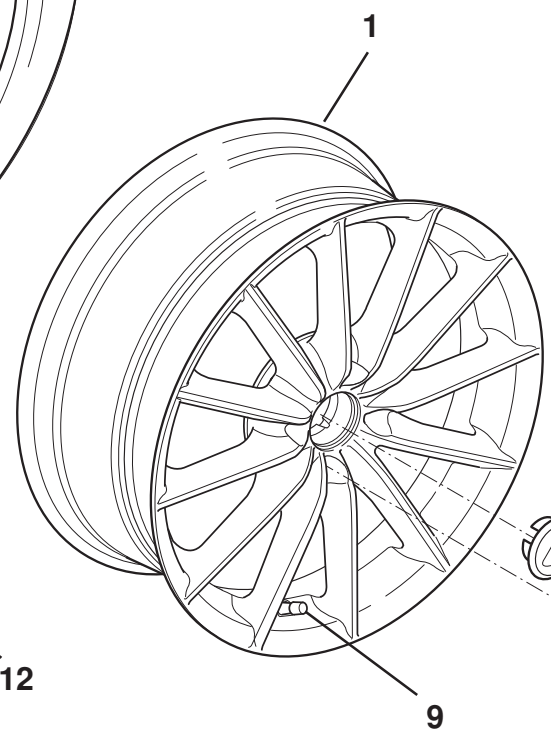
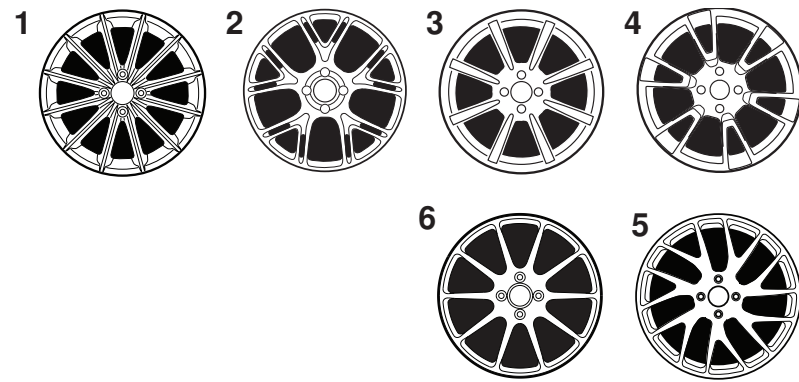
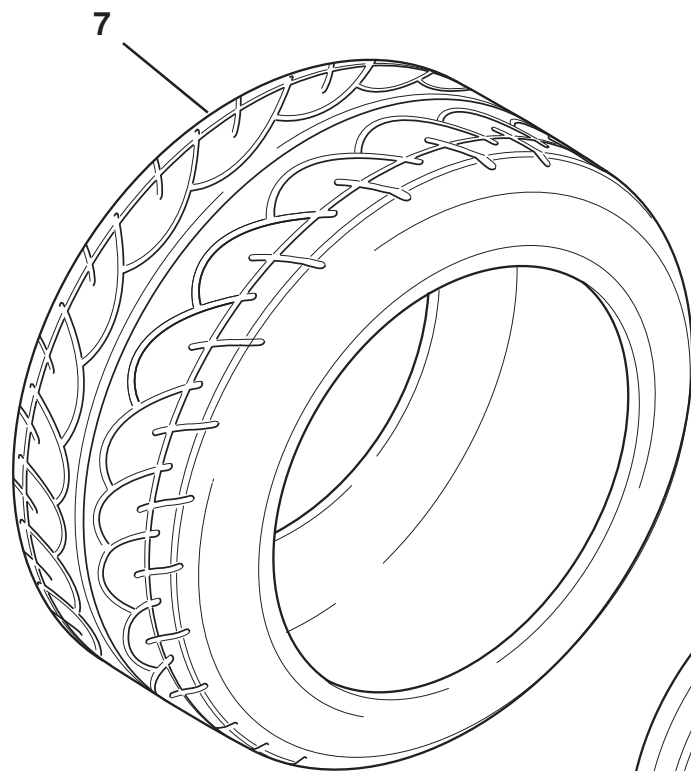
ELISE

Function Code: 34.01, Page: 4

Updated 3rd April 2017

Function Code 34.01 Wheels, Tyres & Valves

<u>Dep</u>	<u>Part Description</u>	<u>Remarks</u>	<u>Option</u>	<u>Part Number</u>	<u>Qty</u>
		* For replacement keys contact Aftersales, quoting ID			
		**See Service Bulletin 2008/05, & Service Notes section JJ.8A			
		***See Service Bulletin 2014/09 for application for '15MY onwards			
		****Not checked for TPMS compatibilityfor 17.5 MY			



see 17.03

ELISE
34.01b

Updated 3rd April 2017

Service Parts List **ELISE**



Function Code 34.01b Wheels, Tyres & Valves, Elise 2011 MY

<u>Dep</u>	<u>Part Description</u>	<u>Remarks</u>	<u>Option</u>	<u>Part Number</u>	<u>Qty</u>
01	Road Wheel, front, twelve spoke, HP silver, 5.5J x 16	Cast, TPMS compatible		A120G0052F	2
01a	Road Wheel, rear, twelve spoke, HP silver, 7.5J x 17	Cast, TPMS compatible		A120G0053F	2
01b	Road Wheel, front, twelve spoke, satin black, 5.5J x 16	TPMS compatible		A120G0054F	2
01c	Road Wheel, rear, twelve spoke, satin black, 7.5J x 17	TPMS compatible		A120G0055F	2
02	Road Wheel, front, five Y spoke, forged, silver, 6.0j x 16	Not checked for TPMS compatibility	Optional	A128G0005F	2
02a	Road Wheel, rear, five Y spoke, silver, 8.0j x 17	Not checked for TPMS compatibility	Optional	A128G0006F	2
02b	Road Wheel, front, five Y spoke, forged, black, 6.0j x 16	Satin black, Not checked for TPMS compatibility	Optional,RGB	A128G0003F	2
02c	Road Wheel, rear, five Y spoke, forged, black, 8.0j x 17	Satin black, Not checked for TPMS compatibility	Optional,RGB	A128G0004F	2
03	Road Wheel, front, eight spoke, HP silver light, 5.5J x 16	Not checked for TPMS compatibility		A117G0138S	2
03a	Road Wheel, rear, eight spoke, HP silver light, 7.5j x 17	Not checked for TPMS compatibility		B121G0005F	2
03b	Road Wheel, front, eight spoke, satin black, 5.5J x 16	Not checked for TPMS compatibility		A120G0059F	2
03c	Road Wheel, rear, eight spoke, satin black, 7.5j x 17	Not checked for TPMS compatibility		A120G0060F	2
04	Road Wheel, front, six V spoke, HP silver, 6.0j x 16	Not checked for TPMS compatibility		A120G0048F	2

ELISE

Function Code: 34.01b, Page: 1

Updated 3rd February 2017

Function Code 34.01b Wheels, Tyres & Valves, Elise 2011 MY

<u>Dep</u>	<u>Part Description</u>	<u>Remarks</u>	<u>Option</u>	<u>Part Number</u>	<u>Qty</u>
04a	Road Wheel, rear, six V spoke, HP silver, 8.0j x 17	Not checked for TPMS compatibility		A120G0049F	2
04b	Road Wheel, front, six V spoke, satin black, 6.0j x 16	Not checked for TPMS compatibility		A120G0061F	2
04c	Road Wheel, rear, six V spoke, satin black, 8.0j x 17	Not checked for TPMS compatibility		A120G0062F	2
05	Road Wheel, front seven Y spoke, HP silver, 6.0 x 16	Not TPMS compatible	Optional MY12	A120G0065F	2
05a	Road Wheel, rear seven Y spoke, HP silver, 8.0 x 17	Not TPMS compatible	Optional MY12	A120G0066F	2
05b	Road Wheel, front seven Y spoke, satin black, 6.0 x 16	Not TPMS compatible	Optional MY12	A120G0067F	2
05c	Road Wheel, rear seven Y spoke, satin black, 8.0 x 17	Not TPMS compatible	Optional MY12	A120G0068F	2
06	Tyre, front, 175/55 R16, Yokohama Advan Neova AD07	**		B121G0007L	2
06a	Tyre, front, 195/50 R16, Toyo R888		Elise/Exige gulf states	A120G6006F	2
06b	Tyre, front, 195/50 R16, Yokohama A048			B122G0013L	2
06c	Winter Tyre, front, 195/50 R16, Pirelli W210 Snowsport	Use OE type wheels	Dealer fit	A117G0119S	2
06d	Tyre, rear, 225/45 R17, Yokohama Advan Neova AD07	**		A121G0006L	2
06e	Tyre, rear, 225/45 R17, Toyo R888		Elise/Exige gulf states	A120G6007F	2
06f	Tyre, rear, 225/45 R17, Yokohama A048			B117G0131L	2
06g	Winter Tyre, rear, 215/45 R17, Pirelli W240 Snowsport	Use OE type wheels	Dealer fit	A120G6001S	2
07	Wheel Centre Cover, Lotus logo	Black surround, 60mm dia 10mm deep		A128G0013F	4
08	Wheel Bolt, socket hd. 25mm thread			B117G6000F	12
09	Tyre Valve			A117G6007F	4

ELISE

Function Code: 34.01b, Page: 2

Updated 3rd February 2017

Function Code 34.01b Wheels, Tyres & Valves, Elise 2011 MY

<u>Dep</u>	<u>Part Description</u>	<u>Remarks</u>	<u>Option</u>	<u>Part Number</u>	<u>Qty</u>
09a	Tyre Valve/TPMS Transmitter	Does not include item 09b	Option by market	A121G6000F	4
09b	Nut, conical seal, TPMS transmitter		Option by market	A121G6001H	4
10	Wheel Bolt Adaptor, standard bolt, long			A117G0036F	1
11	Security Wheelbolt Kit, short key	Incl. ID strip & instruction card*		B117G0043F	1
12	Wheel Bolt Adaptor, standard bolt, short			A132G6003F	1
13	Spigot ring, forged wheels	Not illus. comes with forged wheels	Optional	A127G0009S	4
14	Tyre Weld, repair canister			A116G6009F	1
15	Terry Clip, canister retaining			A111W6590F	2
16	Pop Rivet, clip to bulkhead			A075W6090Z	4

* For replacement keys contact
Aftersales, quoting ID

**See Service Bulletin 2014/09
for application for '15MY onwards



AWI not available



A111G6030S 6.0 x 15
A111G6031S 8.0 x 16
A111G6026S 5.5 x 15
A111G6027S 7.0 x 16
Silver



A111G6032S 6.0 x 15
A111G6033S 8.0 x 16
A111G6028S 5.5 x 15
A111G6029S 7.0 x 16
Grey



A128G0007F 7.0 x 16
A128G0008F 8.0 x 17
Satin black



ALS3G0064F 7.0 x 16
ALS3G0065F 8.0 x 17
Gloss black



ALS3G0066F 7.0 x 16
ALS3G0067F 8.0 x 17
HP silver



ALS3G0062F 7.0 x 16
ALS3G0063F 8.0 x 17
Glitter silver



A127G0001F 7.0 x 16
A127G0002F 8.0 x 17
Satin black



A127G0004F 7.0 x 16
A127G0003F 8.0 x 17
Silver



ALS3X0129F 7.0 x 16
ALS3X0130F 8.0 x 17
Type 25, black + silver



A122G0017S 7.0 x 16
A122G0018S 8.0 x 17
Type 72, black + gold



A128G0003F 6.0 x 16
A128G0004F 8.0 x 17
Satin black



A128G0005F 6.0 x 16
A128G0006F 8.0 x 17
Silver

Elise MK1 (Rover p/train)

Elise MK2 (Rover p/train)


Elise MK2 (Toyota p/train)

Exige MK1 (Rover p/train)


Exige MK2 (Toyota p/train)

Updated 2nd May 2017




 A111G0012F 5.5 x 15
A111G0013F 7.5 x 16
HP silver




 A111G0029F 5.5 x 15
A111G0031F 7.5 x 16
Gold, type 49, JPS





 D117G0014H 5.5 x 16
D117G0015H 7.5 x 17
Glitter silver




 A117G0111H 5.5 x 16
A117G0112H 7.5 x 17
Gold, type 72




 A117G0113H 5.5 x 16
A117G0114H 7.5 x 17
 A131G0006H 5.5 x 16
B131G0001H 7.5 x 17
HP silver




 D117G0024H 5.5 x 16
D117G0025H 7.5 x 17
Black




 A120G0057F 5.5 x 16
A120G0058F 7.5 x 17
Stealth grey




 A120G0042H 6.0 x 16
A120G0032H 6.5 x 16
A120G0033H 7.5 x 17
HP silver




 A120G0047H 6.0 x 16
A120G0026H 6.5 x 16
A120G0027H 7.5 x 17
Black




 A121G0013H 6.5 x 16
A121G0015H 7.5 x 17
Anodised




 A117G0124H 6.5 x 16
A117G0019H 7.5 x 17
Silver




 B117G0026H 5.5 x 16
B117G0027H 7.5 x 17
Silver





 A117G0089H 5.5 x 16
A117G0090H 7.5 x 17
Gold





 B117G0087H 5.5 x 16
A117G0088H 7.5 x 17
HP silver dark




 A117G0138S 5.5 x 16
A117G0139S 7.5 x 17
 A,B121G0005H 7.5 x 17
HP silver light




 C117G0028H 5.5 x 16
B117G0029H 7.5 x 17
 A120G0023H 7.5 x 17
Black





 A120G0059H 5.5 x 16
A120G0060H 7.5 x 17
Satin black


Updated 3rd November 2014

 Elise MK1 (Rover p/train)

 Elise MK2 (Rover p/train)

 Elise MK2 (Toyota p/train)

 Exige MK1 (Rover p/train)

 Exige MK2 (Toyota p/train)



A111G0042F 7.0 x 16
A111G0043F 8.5 x 17
Black



A111G6040F 5.5 x 15
A111G6041F 7.0 x 16
Silver



T A120G0052H 5.5 x 16
A120G0053H 7.5 x 17
Silver



T A120G0054H 5.5 x 16
A120G0055H 7.5 x 17
Black



A120G0048F 6.0 x 16
A120G0049F 8.0 x 17
HP silver



A120G0061F 6.0 x 16
A120G0062F 8.0 x 17
Black



A122G0015F 7.0 x 16
A122G0016F 8.0 x 17
Gloss antracite



A120G0067F 6.0 x 16
A120G0068F 8.0 x 17
Black



A120G0065F 6.0 x 16
A120G0066F 8.0 x 17
Silver



A704G0001F 7.0 x 16
A704G0002F 8.0 x 17
Black, Elise Cup



A704G0003F 7.0 x 16
A704G0004F 8.0 x 17
HP silver, Elise Cup



T A147G0008F 6.0 x 16
A147G0009F 8.0 x 17
Black Diamond Cut



BLS2G6006F 6.5 x 16
BLS2G6007F 7.5 x 17
Silver



BLS2G6003F 6.5 x 16
BLS2G6005F 7.5 x 17
Black



LOTAC05382 6.5 x 16
LOTAC05383 7.5 x 17
Silver



A122G0007H 6.5 x 16
A122G0008H 7.5 x 17
Black

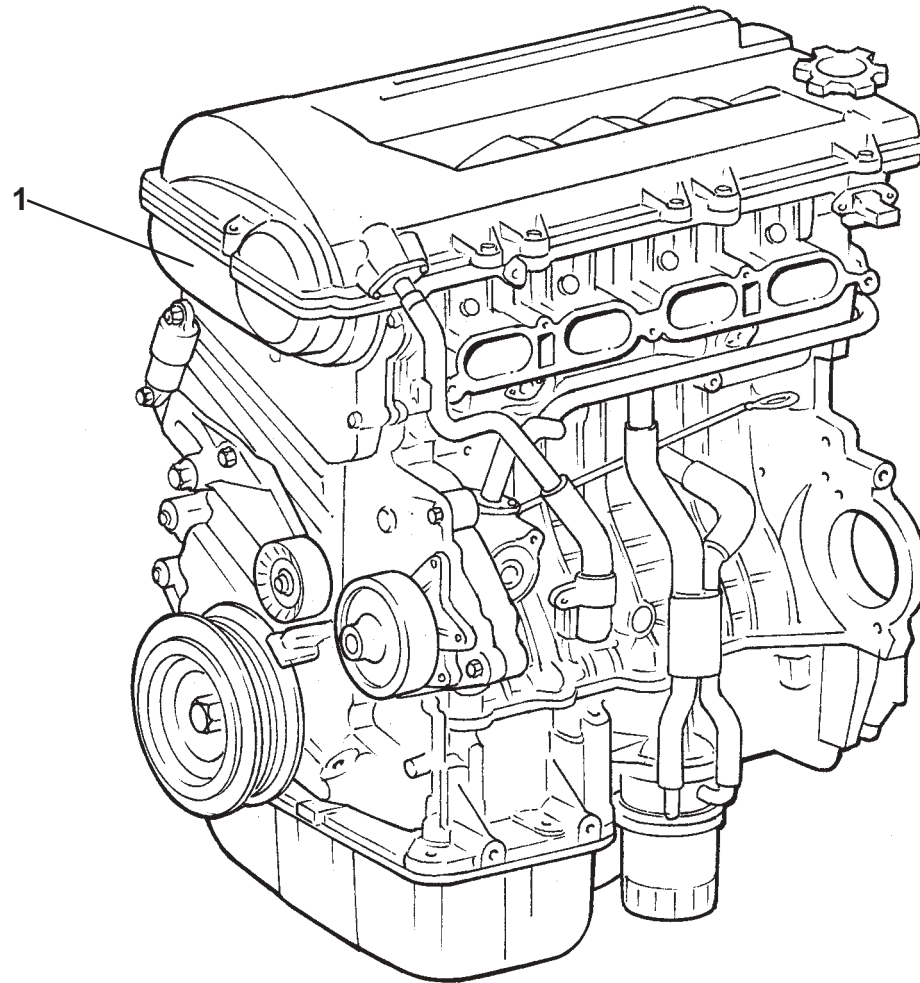


A120G0063S 6.5 x 16
A120G0064S 7.5 x 17
Gold, Type 72

T TPMS compatible for 17.5 MY

Updated 2nd May 2017

Elise MK1 (Rover p/train) Elise MK2 (Rover p/train) Elise MK2 (Toyota p/train) Exige MK1 (Rover p/train) Exige MK2 (Toyota p/train)



ELISE
40.00

Service Parts List **ELISE**



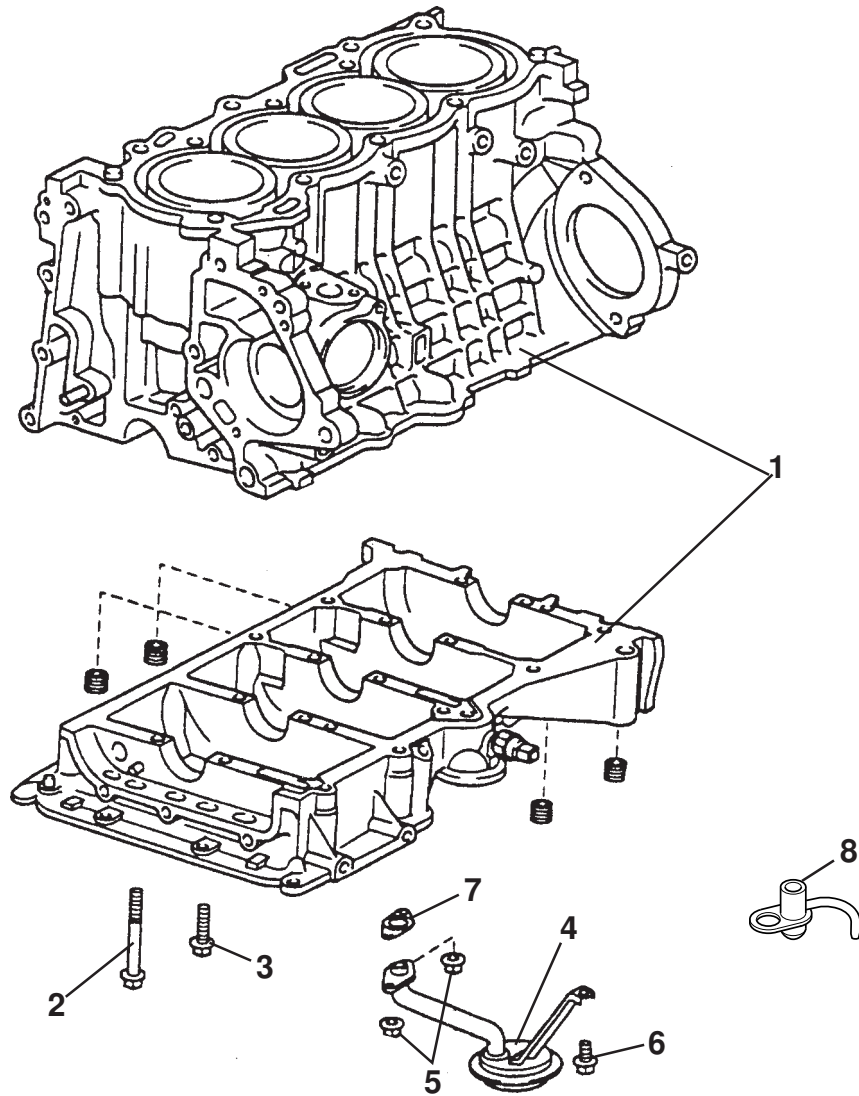
Function Code 40.00 Engine Assemblies

<u>Dep</u>	<u>Part Description</u>	<u>Remarks</u>	<u>Option</u>	<u>Part Number</u>	<u>Qty</u>
01	Engine Assembly, undressed, 2ZZ		All 2ZZ variants, n/a & SC	A120E6104S	1
01a	Engine Assembly, 'short', 2ZZ	Block, bearing panel, crankshaft, pistons, con. Rods also order items A120E6149S & A120E6320S	All 2ZZ variants, n/a & SC	A120E6106S	1
01b	Engine Assembly, undressed, 1ZZ		Elise S, '07 MY	A131E6024S	1
01c	Engine Assembly, 'short', 1ZZ	Block, bearing panel, crankshaft, pistons, con. Rods	Elise S, '07 MY	A131E6025S	1

ELISE

Function Code: 40.00, Page: 1

Updated 1st September 2014



ELISE
40.01

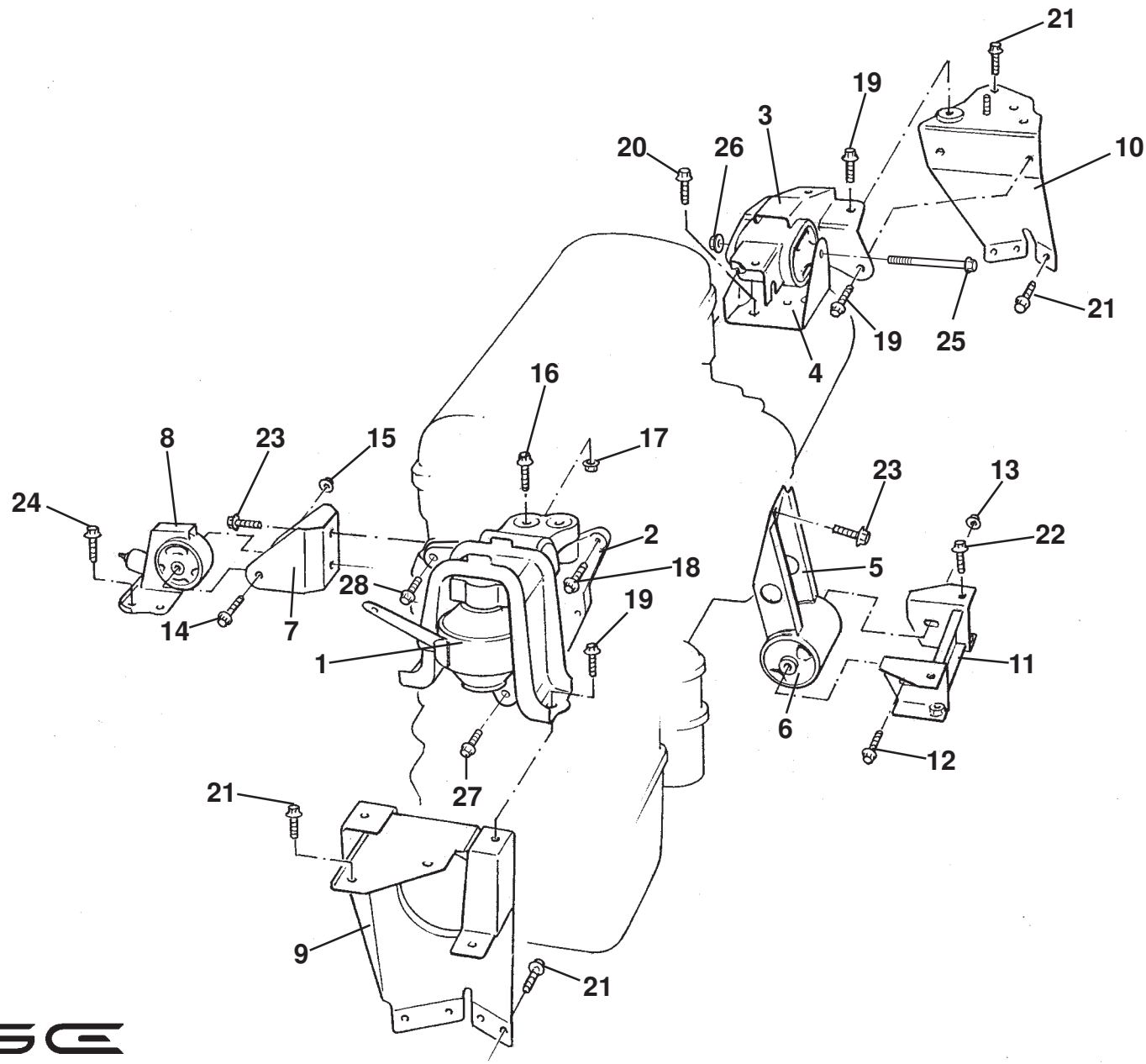
Updated 16th July 2012

Service Parts List **ELISE**



Function Code 40.01 Engine Block & Oil Pick up

<u>Dep</u>	<u>Part Description</u>	<u>Remarks</u>	<u>Option</u>	<u>Part Number</u>	<u>Qty</u>
01	Cylinder Block Assembly, 2ZZ	Includes integral liners, bearing panel	111R, Elise R, Exige	A120E6139S	1
01a	Cylinder Block Assembly, 1ZZ	Includes integral liners, bearing panel	Elise S, '07 MY	A131E6028S	1
02	Bolt, panel to block		Common	A120E6465S	10
03	Bolt, panel to block, 2ZZ		111R, Elise R, Exige	A120E6449S	1
03a	Bolt, panel to block, 1ZZ		Elise S, '07 MY	A131E6171S	1
04	Oil Strainer/Pick-up Pipe, 2ZZ		111R, Elise R, Exige	A120E6274S	1
04a	Oil Strainer/Pick-up Pipe, 1ZZ		Elise S, '07 MY	A131E6107S	1
05	Nut, flange, pick-up to panel, 2ZZ		111R, Elise R, Exige	A120E6161S	2
05a	Nut, flange, pick-up to panel, 1ZZ		Elise S, '07 MY	A131E6234S	2
06	Bolt, flg, hd., pick-up to panel, 2ZZ		111R, Elise R, Exige	A120E6466S	1
06a	Bolt, flg, hd., pick-up to panel, 1ZZ		Elise S, '07 MY	A131E6221S	1
07	Gasket, strainer to panel, 2ZZ		111R, Elise R, Exige	A120E6275S	1
07a	Gasket, strainer to panel, 1ZZ		Elise S, '07 MY	A131E6108S	1
08	Nozzle Assembly, oil jet piston cooling, 2ZZ		111R, Elise R, Exige	A120E6296S	4
09	Jointing Compound, panel to block	Not illustrated	Common	A120E6474S	1



ELISE
40.01a

Updated 1st September 2014

Service Parts List **ELISE**



Function Code 40.01a Engine Mounts

<u>Dep</u>	<u>Part Description</u>	<u>Remarks</u>	<u>Option</u>	<u>Part Number</u>	<u>Qty</u>
01	Insulator, engine mounting, RH, 2ZZ		111R, Elise R, Exige	A120E6393S	1
01a	Insulator, engine mounting, RH, 1ZZ		Elise S, '07 MY	A131E6007H	1
02	Bracket, insulator to engine, 2ZZ		111R, Elise R, Exige	A120E6180S	1
02a	Bracket, insulator to engine, modified	S/C mounting bracket	Elise S/C*	C128E0016K	1
02b	Bracket, insulator to engine, 1ZZ		Elise S, '07 MY	A131E6006H	1
03	Insulator, engine mounting, LH		Common	A120E6397S	1
04	Bracket, insulator to transmission		111R, Elise R, Exige	A120E6396S	1
05	Bracket, engine mounting, front		A120A0071F R/B	A120A0099J	1
06	Bush, engine mounting, front		A120A0098K R/B	A120A0099J	1
07	Bracket, engine insulator rear		Common	B120A0085F	1
08	Insulator, engine mounting, rear		Common	A120A0035K	1
09	Bracket, engine to chassis, RH		Common Elise	B120A0055F	1
09a	Bracket, engine to chassis, RH		Exige supercharged	C120A0055F	1
10	Bracket, engine to chassis, LH		Common	A120A0059F	1
11	Bracket, engine to chassis, front		Common	A120A0045F	1
12	Bolt, flg. hd., bush to bracket, front			A120E6451S	1
13	Nut, flg., bush to bracket, front			A120E6454S	1
14	Bolt, flg. hd., bush to bracket, rear			A120E6452S	1

ELISE

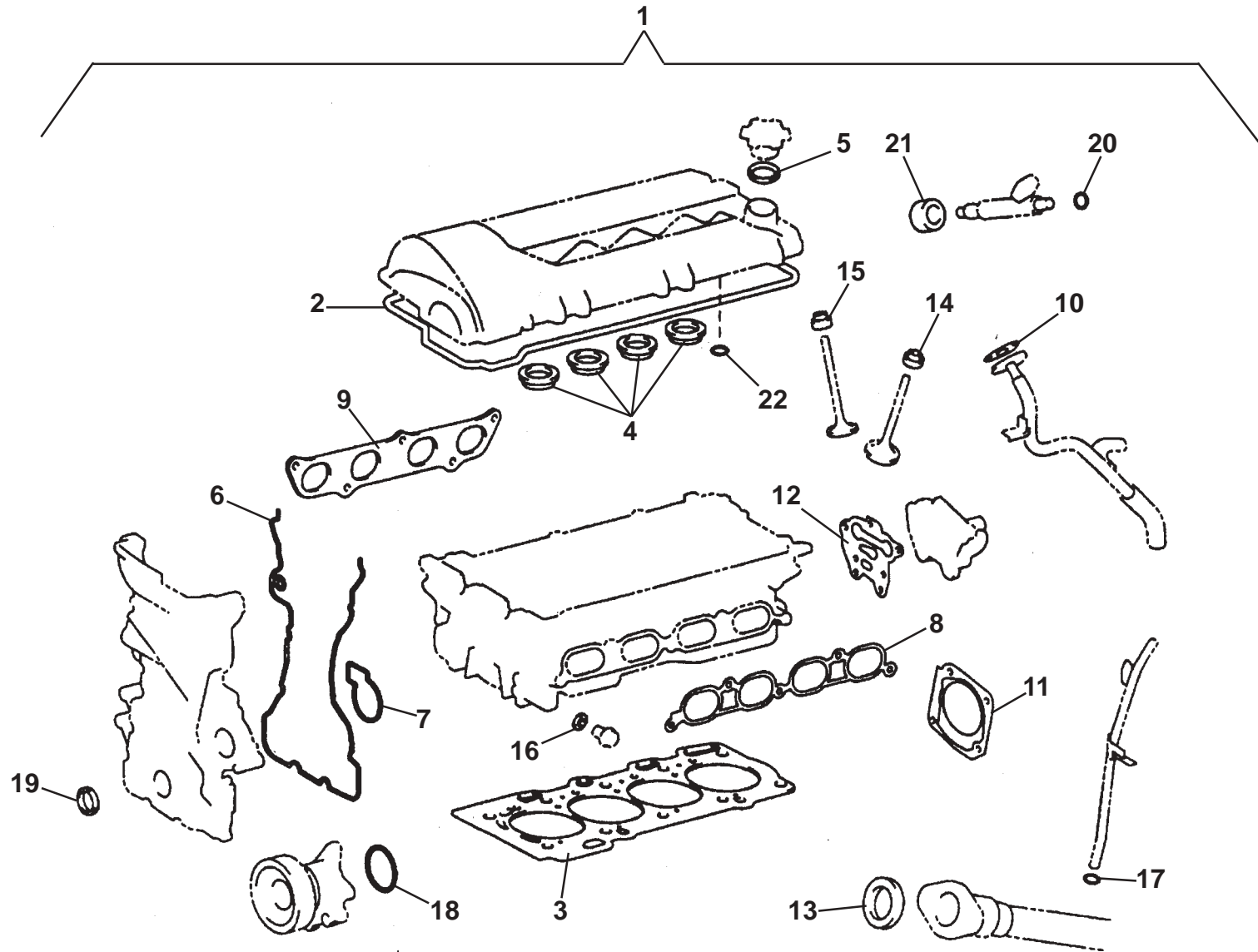
Function Code: 40.01a, Page: 1

Updated 1st September 2014

Function Code 40.01a Engine Mounts

<u>Dep</u>	<u>Part Description</u>	<u>Remarks</u>	<u>Option</u>	<u>Part Number</u>	<u>Qty</u>
15	Nut, flg., bush to bracket, rear			A120E6455S	1
16	Bolt, flg. hd., insulator to bracket			A120E6394S	2
17	Nut, flg., insulator to bracket			A120E6395S	2
18	Bolt, flg. hd., bracket to engine			A120E6185S	1
19	Bolt, flg. hd., insulator to chassis bracket			A120E6390S	4
20	Bolt, flg. hd., bracket to transmission			A120E6495S	3
21	Bolt, flg. hd., brackets to chassis			A116W5238F	4
22	Bolt, flg. hd., bracket to chassis			A120W5278F	2
23	Bolt, flg. hd., bracket to engine			A120E6496S	4
24	Bolt, flg. hd., insulator to subframe			A120E6390S	4
25	Bolt, flg. hd., insulator to bracket			A120E6398S	1
26	Nut, flg., insulator to bracket			A120E6399S	1
27	Bolt, flg. hd., bracket to engine, lower			A120E6181S	3
28	Bolt, flg. hd., bracket to engine			A120E6481S	1

*Also Exige fitted with approved
aftersales supercharger kit



ELISE

40.02

Service Parts List **ELISE**



Function Code 40.02 Gaskets & Sealants, Top Overhaul Set

<u>Dep</u>	<u>Part Description</u>	<u>Remarks</u>	<u>Option</u>	<u>Part Number</u>	<u>Qty</u>
01	Gasket Kit, cylinder head, 2ZZ	Included in item 1 engine overhaul kit, 40.02a	111R, Elise R, Exige	A120E6108S	1
01a	Gasket Kit, cylinder head, 1ZZ	Included in item 1a engine overhaul kit, 40.02a	Elise S, '07 MY	A131E6249S	1
02	Gasket, cam cover, 2ZZ	Also see 40.07	111R, Elise R, Exige	A120E6119S	1
02a	Gasket, cam cover, 1ZZ	Also see 40.07	Elise S, '07 MY	A131E6049S	1
03	Gasket, cylinder head, 2ZZ		111R, Elise R, Exige	A120E6123S	1
03a	Gasket, cylinder head, 1ZZ		Elise S, '07 MY	A131E6027S	1
04	Gasket, spark plug tube, 2ZZ		111R, Elise R, Exige	A120E6125S	4
05	Gasket, oil filler cap, 2ZZ	Also see 40.07	111R, Elise R, Exige	A120E6130S	1
06	Gasket, timing chain cover, large, 2ZZ	Also see 40.08	111R, Elise R, Exige	A120E6133S	1
07	Gasket, timing chain cover, small, 2ZZ	Also see 40.08	111R, Elise R, Exige	A120E6134S	1
08	Gasket, inlet manifold, 2ZZ	Also see 42.07	111R, Elise R, Exige	A120E6342S	1
08a	Gasket, inlet manifold, 1ZZ	Also see 42.07	Elise S, '07 MY	A131E6163S	1
09	Gasket, exhaust manifold, 2ZZ	Also see 40.21	111R, Elise R, Exige	A120E6343S	1
09a	Gasket, exhaust manifold, 1ZZ	Also see 40.21	Elise S, '07 MY	A131E6164S	1
10	Gasket, vent tube to cam cover, 2ZZ	Also see 40.07	111R, Elise R, Exige	A120E6167S	1
11	Gasket, throttle body, 2ZZ	Also see 42.04	111R, Elise R, Exige	A120E6354S	1
11a	Gasket, throttle body, 1ZZ	Also see 42.04	Elise S, '07 MY	A131E6003H	1

ELISE

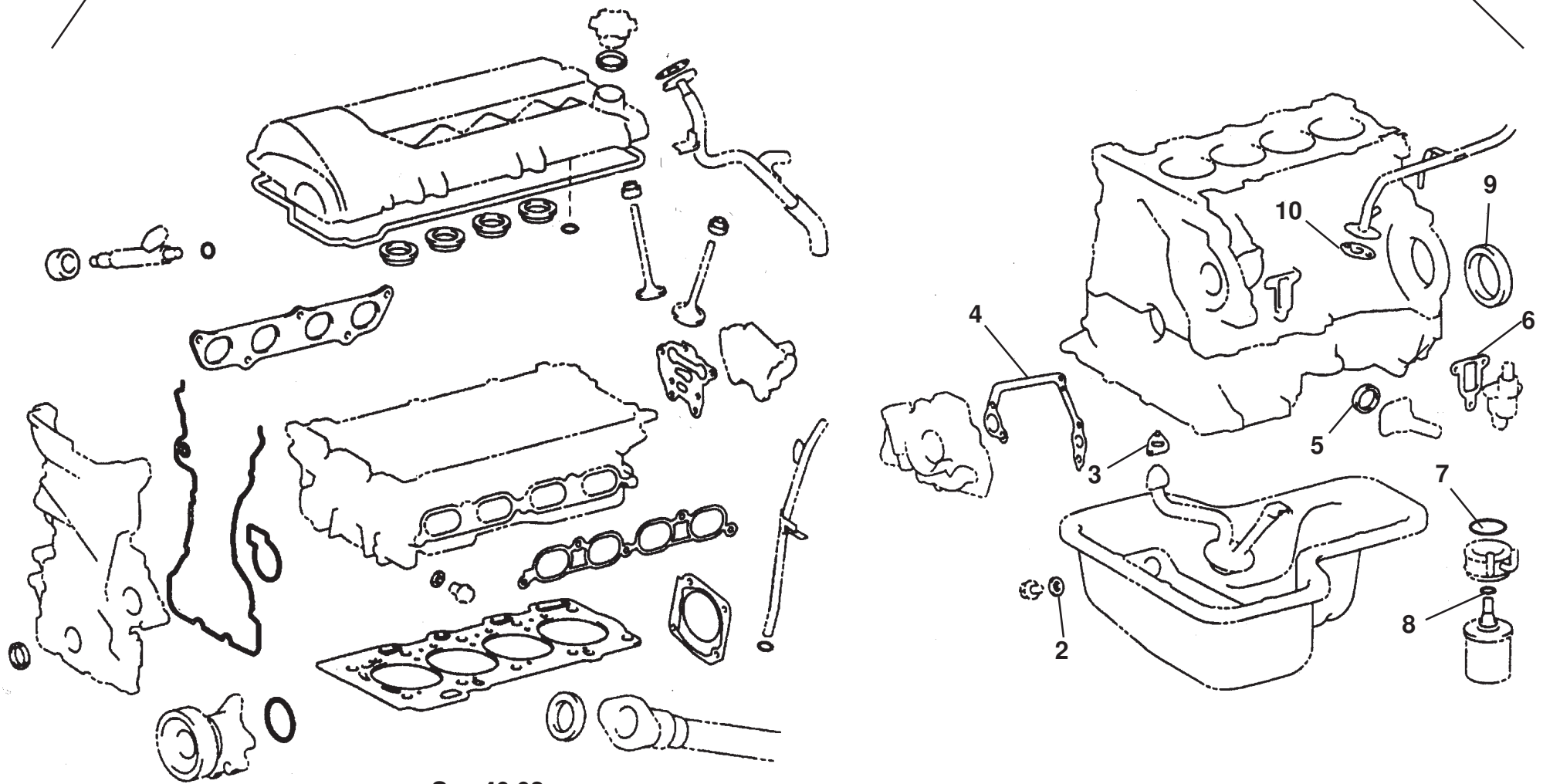
Function Code: 40.02, Page: 1

Updated 1st December 2014

Function Code 40.02 Gaskets & Sealants, Top Overhaul Set

<u>Dep</u>	<u>Part Description</u>	<u>Remarks</u>	<u>Option</u>	<u>Part Number</u>	<u>Qty</u>
12	Gasket, oil control valve housing, 2ZZ	Also see 40.05	111R, Elise R, Exige	A120E6284S	1
13	Gasket, downpipe to manifold, 2ZZ	Also see 45.01	111R, Elise R, Exige	A120E6407S	1
13a	Gasket, downpipe to manifold, 1ZZ	Also see 45.01	Elise S, '07 MY	A131E6010H	1
14	Valve Stem Oil Seal, inlet, black, 2ZZ	Also see 40.05	111R, Elise R, Exige	A120E6219S	8
14a	Valve Stem Oil Seal, inlet, 1ZZ	Also see 40.05	Elise S, '07 MY	A132E6087S	8
15	Valve Stem Oil Seal, exhaust, green, 2ZZ	Also see 40.05	111R, Elise R, Exige	A120E6220S	8
15a	Valve Stem Oil Seal, exhaust, 1ZZ	Also see 40.05	Elise S, '07 MY	A131E6088S	8
16	Gasket, oil filter plug to head	Also see 40.05	Common	A120E6289S	1
17	'O' ring, tube to block	Also see 40.15	Common	A120E6281S	1
18	Seal, 'O' ring, pump to block, 2ZZ	Also see 40.13	111R, Elise R, Exige	A120E6300S	1
18a	Seal, 'O' ring, pump to block, 1ZZ	Also see 40.13	Elise S, '07 MY	A131E6162S	1
19	Oil Seal, timing cover to crankshaft		Common	A120E6459S	1
20	'O' Ring, injector, 2ZZ	Also see 42.05	111R, Elise R, Exige	A120E6457S	4
21	Insulator, injector, 2ZZ	Also see 42.05	111R, Elise R, Exige	A120E6361S	4
22	'O' Ring, cam cover to head, 2ZZ		111R, Elise R, Exige	A120E6127S	1

1



See 40.02

ELISE
40.02a

Updated 3rd November 2014

Service Parts List **ELISE**



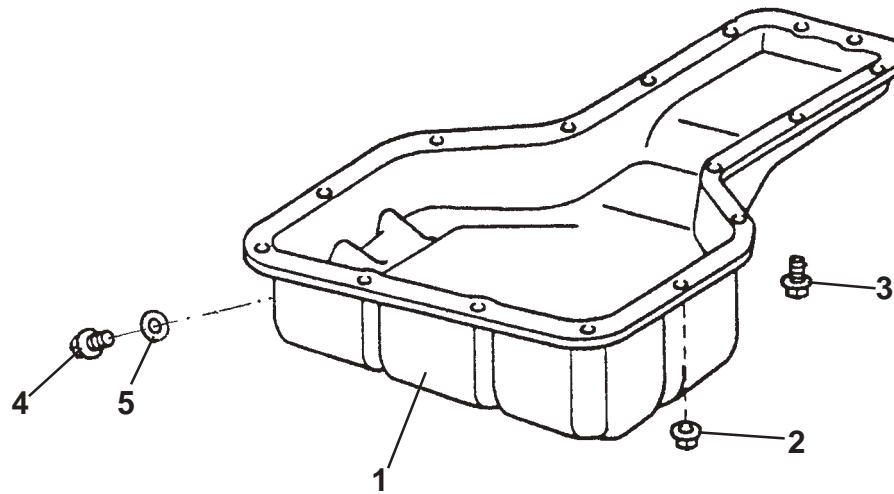
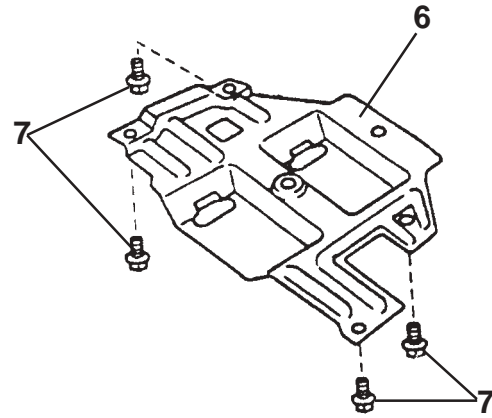
Function Code 40.02a Gaskets & Sealants, Bottom Overhaul Set

<u>Dep</u>	<u>Part Description</u>	<u>Remarks</u>	<u>Option</u>	<u>Part Number</u>	<u>Qty</u>
01	Gasket Kit, engine overhaul, 2ZZ	Includes item 1, 40.02	111R, Elise R, Exige	A120E6107S	1
01a	Gasket Kit, engine overhaul, 1ZZ	Includes item 1a, 40.02	Elise S, '07 MY	A131E6249S	1
02	Gasket, sump plug sealing	Also see 40.03	Common	A120E6461S	1
03	Gasket, oil strainer to panel, 2ZZ	Also see 40.01	111R, Elise R, Exige	A120E6275S	1
03a	Gasket, oil strainer to panel, 1ZZ	Also see 40.01	Elise S, '07 MY	A131E6108S	1
04	Gasket, oil pump, 2ZZ	Also see 40.15	111R, Elise R, Exige	A120E6271S	1
04a	Gasket, oil pump, 1ZZ	Also see 40.15	Elise S, '07 MY	A131E6109S	1
05	Gasket, inlet housing	Also see 40.13	Common	A120E6314S	1
06	Gasket, oil separator	Also see 40.07	Common	A120E6171S	1
07	'O' Ring, exchanger to block	Also see 46.03	Common	A120E6458S	1
08	'O' Ring, filter to block, 2ZZ	Includes union, see 46.03	111R, Elise R, Exige	A120E6292S	1
09	Oil Seal, crankshaft rear, 2ZZ		111R, Elise R, Exige	A120E6138S	1
09a	Oil Seal, crankshaft rear, 1ZZ		Elise S, '07 MY	A131F6050S	1
10	Gasket, coolant bypass pipe to block, 2ZZ		111R, Elise R, Exige	A120E6304S	1

ELISE

Function Code: 40.02a, Page: 1

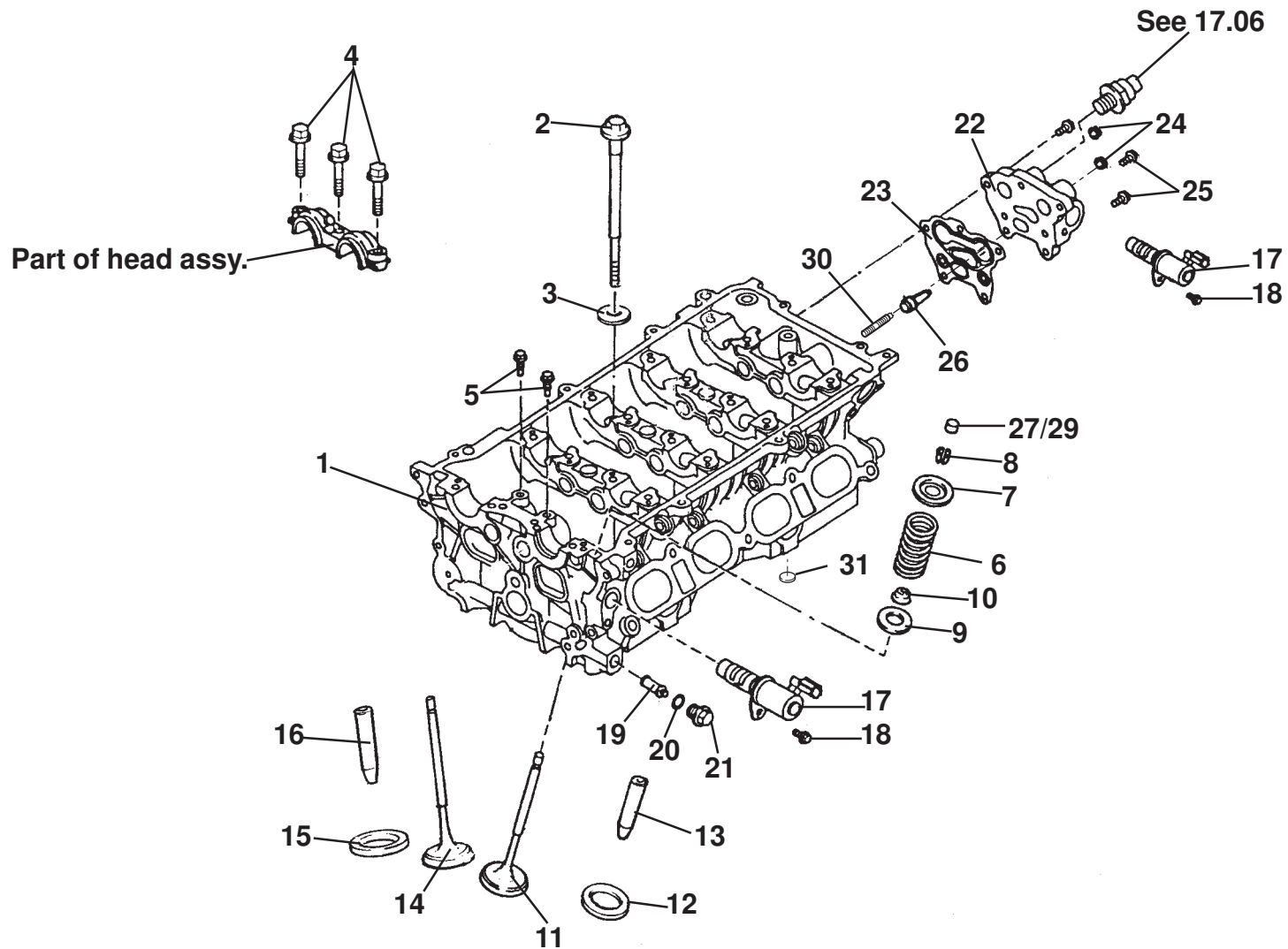
Updated 3rd November 2014



ELISE
40.03

Function Code 40.03 Sump Assembly

<u>Dep</u>	<u>Part Description</u>	<u>Remarks</u>	<u>Option</u>	<u>Part Number</u>	<u>Qty</u>
01	Sump Assembly, 2ZZ		111R, Elise R, Exige	A120E6157S	1
01a	Sump Assembly, 1ZZ		Elise S, '07 MY	A131E6029S	1
02	Nut, flg., sump to engine		111R, Elise R, Exige	A120E6161S	4
03	Bolt, hex. flg. hd., sump to engine		Common	A120E6160S	12
04	Drain Plug, sump, 2ZZ		111R, Elise R, Exige	A120E6162S	1
04a	Drain Plug, sump, 1ZZ		Elise S, '07 MY	A131F6051S	1
05	Washer, plug sealing		Common	A120E6461S	1
06	Baffle Panel, sump, 2ZZ		111R, Elise R, Exige	A120E6158S	1
07	Screw, hex. flg. hd., panel to engine		111R, Elise R, Exige	A120E6164S	4
08	Jointing Compound, sump to engine	Not illustrated	Common	A120E6474S	1



ELISE
40.05

Updated 1st August 2014

Service Parts List **ELISE**



Function Code 40.05 Cylinder Head , Valves, Springs

<u>Dep</u>	<u>Part Description</u>	<u>Remarks</u>	<u>Option</u>	<u>Part Number</u>	<u>Qty</u>
01	Cylinder Head Assembly, 2ZZ	Includes cam retaining caps	111R, Elise R, Exige	A120E6109S	1
01a	Cylinder Head Assembly, 1ZZ	Includes cam retaining caps	Elise S, '07 MY	A131E6026S	1
02	Bolt, head to block			A120E6122S	10
03	Washer, flat,			A120E6121S	10
04	Bolt, cam cap front to head, 2ZZ		111R, Elise R, Exige	A120E6453S	20
04a	Bolt, cam cap front to head, 1ZZ		Elise S, '07 MY	A131E6179S	3
05	Bolt, rocker shaft retention, 2ZZ		111R, Elise R, Exige	A120E6267S	10
05a	Bolt, cam cap retention, 1ZZ		Elise S, '07 MY	A131E6176S	16
06	Valve Spring, inlet, 2ZZ		111R, Elise R, Exige	A120E6269S	8
06a	Valve Spring, exhaust, 2ZZ		111R, Elise R, Exige	A120E6268S	8
06b	Valve Spring, inlet, 1ZZ		Elise S, '07 MY	A131E6066S	8
06c	Valve Spring, exhaust, 1ZZ		Elise S, '07 MY	A131E6066S	8
07	Valve Retainer, 2ZZ		111R, Elise R, Exige	A120E6218S	16
07a	Valve Retainer, 1ZZ		Elise S, '07 MY	A131E6106S	16
08	Valve Collet, 2ZZ		111R, Elise R, Exige	A120E6221S	32
08a	Valve Collet, 1ZZ		Elise S, '07 MY	A131E6212S	32
09	Valve Spring seat, 2ZZ		111R, Elise R, Exige	A120E6217S	16
09a	Valve Spring seat, 1ZZ		Elise S, '07 MY	A131E6105S	16

ELISE

Function Code: 40.05, Page: 1

Updated 1st August 2014

Function Code 40.05 Cylinder Head , Valves, Springs

<u>Dep</u>	<u>Part Description</u>	<u>Remarks</u>	<u>Option</u>	<u>Part Number</u>	<u>Qty</u>
10	Valve Stem Oil Seal, inlet, black, 2ZZ		111R, Elise R, Exige	A120E6219S	8
10a	Valve Stem Oil Seal, exhaust, green, 2ZZ		111R, Elise R, Exige	A120E6220S	8
10b	Valve Stem Oil Seal, inlet, 1ZZ		Elise S, '07 MY	A131E6087S	8
10c	Valve Stem Oil Seal, exhaust, 1ZZ		Elise S, '07 MY	A131E6088S	8
11	Inlet Valve, 2ZZ		111R, Elise R, Exige	A120E6215S	8
11a	Inlet Valve, 1ZZ		111R, Elise R, Exige	A131E6047S	8
12	Valve Seat Insert, inlet, standard, 2ZZ		111R, Elise R, Exige	A120E6117S	8
12a	Valve Seat Insert, inlet, + 0.03, 2ZZ		111R, Elise R, Exige	A120E6112S	8
13	Valve Guide, inlet, standard, 2ZZ		111R, Elise R, Exige	A120E6110S	8
13a	Valve Guide, inlet, + 0.05, 2ZZ		111R, Elise R, Exige	A120E6111S	8
13b	Valve Guide, inlet, standard, 1ZZ		Elise S, '07 MY	A131E6050S	8
13c	Valve Guide, inlet, + 0.5, 1ZZ		Elise S, '07 MY	A131E6051S	8
14	Exhaust Valve, 2ZZ		111R, Elise R, Exige	A120E6216S	8
14a	Exhaust Valve, 1ZZ		Elise S, '07 MY	A131E6048S	8
15	Valve Seat Insert, exhaust, standard, 2ZZ		111R, Elise R, Exige	A120E6118S	8
15a	Valve Seat Insert, exhaust, + 0.03, 2ZZ		111R, Elise R, Exige	A120E6113S	8
16	Valve Guide, exhaust, standard		111R, Elise R, Exige	A120E6110S	8
16a	Valve Guide, exhaust, +0.05		111R, Elise R, Exige	A120E6111S	8
17	Oil Control Valve	Also see 17.06	111R, Elise R, Exige	A120E6282S	2
18	Bolt, flg. hd., valve retaining			A120E6129S	2
19	Oil Filter			A120E6286S	1

ELISE

Function Code: 40.05, Page: 2

Updated 1st August 2014

Function Code 40.05 Cylinder Head , Valves, Springs

<u>Dep</u>	<u>Part Description</u>	<u>Remarks</u>	<u>Option</u>	<u>Part Number</u>	<u>Qty</u>
20	Gasket, oil filter plug to head		Common	A120E6289S	1
21	Plug, oil filter retaining			A120E6288S	1
22	Oil Control Valve Housing		111R, Elise R, Exige	A120E6283S	1
23	Gasket, housing to head		111R, Elise R, Exige	A120E6284S	1
24	Flange Nut, housing to head		111R, Elise R, Exige	A120E6287S	2
25	Screw, flg. hd., housing to head		111R, Elise R, Exige	A120E6290S	3
26	Filter, oil control valve		111R, Elise R, Exige	A120E6285S	1
27a	Shim, valve clearance, 2.000, 2ZZ		111R, Elise R, Exige	A120E6222S	As req.
27aa	Shim, valve clearance, 2.020, 2ZZ		111R, Elise R, Exige	A120E6223S	As req.
27b	Shim, valve clearance, 2.040, 2ZZ		111R, Elise R, Exige	A120E6224S	As req.
27bb	Shim, valve clearance, 2.060, 2ZZ		111R, Elise R, Exige	A120E6225S	As req.
27c	Shim, valve clearance, 2.080, 2ZZ		111R, Elise R, Exige	A120E6226S	As req.
27cc	Shim, valve clearance, 2.100, 2ZZ		111R, Elise R, Exige	A120E6227S	As req.
27d	Shim, valve clearance, 2.120, 2ZZ		111R, Elise R, Exige	A120E6228S	As req.
27dd	Shim, valve clearance, 2.140, 2ZZ		111R, Elise R, Exige	A120E6229S	As req.
27e	Shim, valve clearance, 2.160, 2ZZ		111R, Elise R, Exige	A120E6230S	As req.
27ee	Shim, valve clearance, 2.180, 2ZZ		111R, Elise R, Exige	A120E6231S	As req.
27f	Shim, valve clearance, 2.200, 2ZZ		111R, Elise R, Exige	A120E6232S	As req.
27ff	Shim, valve clearance, 2.220, 2ZZ		111R, Elise R, Exige	A120E6233S	As req.
27g	Shim, valve clearance, 2.240, 2ZZ		111R, Elise R, Exige	A120E6234S	As req.
27gg	Shim, valve clearance, 2.260, 2ZZ		111R, Elise R, Exige	A120E6235S	As req.

ELISE

Function Code: 40.05, Page: 3

Updated 1st August 2014

Function Code 40.05 Cylinder Head , Valves, Springs

<u>Dep</u>	<u>Part Description</u>	<u>Remarks</u>	<u>Option</u>	<u>Part Number</u>	<u>Qty</u>
27h	Shim, valve clearance, 2.280, 2ZZ		111R, Elise R, Exige	A120E6236S	As req.
27hh	Shim, valve clearance, 2.300, 2ZZ		111R, Elise R, Exige	A120E6237S	As req.
27i	Shim, valve clearance, 2.320, 2ZZ		111R, Elise R, Exige	A120E6238S	As req.
27ii	Shim, valve clearance, 2.340, 2ZZ		111R, Elise R, Exige	A120E6239S	As req.
27j	Shim, valve clearance, 2.360, 2ZZ		111R, Elise R, Exige	A120E6240S	As req.
27jj	Shim, valve clearance, 2.380, 2ZZ		111R, Elise R, Exige	A120E6241S	As req.
27k	Shim, valve clearance, 2.400, 2ZZ		111R, Elise R, Exige	A120E6242S	As req.
27kk	Shim, valve clearance, 2.420, 2ZZ		111R, Elise R, Exige	A120E6243S	As req.
27l	Shim, valve clearance, 2.440, 2ZZ		111R, Elise R, Exige	A120E6244S	As req.
27ll	Shim, valve clearance, 2.460, 2ZZ		111R, Elise R, Exige	A120E6245S	As req.
27m	Shim, valve clearance, 2.480, 2ZZ		111R, Elise R, Exige	A120E6246S	As req.
27m m	Shim, valve clearance, 2.500, 2ZZ		111R, Elise R, Exige	A120E6247S	As req.
27n	Shim, valve clearance, 2.520, 2ZZ		111R, Elise R, Exige	A120E6248S	As req.
27nn	Shim, valve clearance, 2.540, 2ZZ		111R, Elise R, Exige	A120E6249S	As req.
27p	Shim, valve clearance, 2.560, 2ZZ		111R, Elise R, Exige	A120E6250S	As req.
27pp	Shim, valve clearance, 2.580, 2ZZ		111R, Elise R, Exige	A120E6251S	As req.
27q	Shim, valve clearance, 2.600, 2ZZ		111R, Elise R, Exige	A120E6252S	As req.
27qq	Shim, valve clearance, 2.620, 2ZZ		111R, Elise R, Exige	A120E6253S	As req.
27r	Shim, valve clearance, 2.640, 2ZZ		111R, Elise R, Exige	A120E6254S	As req.
27rr	Shim, valve clearance, 2.660, 2ZZ		111R, Elise R, Exige	A120E6255S	As req.

ELISE**Function Code: 40.05, Page: 4***Updated 1st August 2014*

Function Code 40.05 Cylinder Head , Valves, Springs

<u>Dep</u>	<u>Part Description</u>	<u>Remarks</u>	<u>Option</u>	<u>Part Number</u>	<u>Qty</u>
27s	Shim, valve clearance, 2.680, 2ZZ		111R, Elise R, Exige	A120E6256S	As req.
27ss	Shim, valve clearance, 2.700, 2ZZ		111R, Elise R, Exige	A120E6257S	As req.
27t	Shim, valve clearance, 2.720, 2ZZ		111R, Elise R, Exige	A120E6258S	As req.
27tt	Shim, valve clearance, 2.740, 2ZZ		111R, Elise R, Exige	A120E6259S	As req.
27u	Shim, valve clearance, 2.760, 2ZZ		111R, Elise R, Exige	A120E6260S	As req.
27uu	Shim, valve clearance, 2.780, 2ZZ		111R, Elise R, Exige	A120E6261S	As req.
27v	Shim, valve clearance, 2.800, 2ZZ		111R, Elise R, Exige	A120E6262S	As req.
29	Shim, valve clearance, 5.060, 1ZZ		Elise S, '07 MY	A131E6052S	As req.
29a	Shim, valve clearance, 5.080, 1ZZ		Elise S, '07 MY	A131E6053S	As req
29aa	Shim, valve clearance, 5.100, 1ZZ		Elise S, '07 MY	A131E6054S	As req
29b	Shim, valve clearance, 5.120, 1ZZ		Elise S, '07 MY	A131E6055S	As req
29bb	Shim, valve clearance, 5.140, 1ZZ		Elise S, '07 MY	A131E6056S	As req
29c	Shim, valve clearance, 5.160, 1ZZ		Elise S, '07 MY	A131E6057S	As req
29cc	Shim, valve clearance, 5.180, 1ZZ		Elise S, '07 MY	A131E6058S	As req
29d	Shim, valve clearance, 5.200, 1ZZ		Elise S, '07 MY	A131E6059S	As req
29dd	Shim, valve clearance, 5.220, 1ZZ		Elise S, '07 MY	A131E6060S	As req
29e	Shim, valve clearance, 5.240, 1ZZ		Elise S, '07 MY	A131E6061S	As req
29ee	Shim, valve clearance, 5.260, 1ZZ		Elise S, '07 MY	A131E6062S	As req
29f	Shim, valve clearance, 5.280, 1ZZ		Elise S, '07 MY	A131E6063S	As req
29ff	Shim, valve clearance, 5.300, 1ZZ		Elise S, '07 MY	A131E6064S	As req
29g	Shim, valve clearance, 5.320, 1ZZ		Elise S, '07 MY	A131E6065S	As req

ELISE

Function Code: 40.05, Page: 5

Updated 1st August 2014

Function Code 40.05 Cylinder Head , Valves, Springs

<u>Dep</u>	<u>Part Description</u>	<u>Remarks</u>	<u>Option</u>	<u>Part Number</u>	<u>Qty</u>
29gg	Shim, valve clearance, 5.340, 1ZZ		Elise S, '07 MY	A131E6066S	As req
29h	Shim, valve clearance, 5.360, 1ZZ		Elise S, '07 MY	A131E6067S	As req
29hh	Shim, valve clearance, 5.380, 1ZZ		Elise S, '07 MY	A131E6068S	As req
29i	Shim, valve clearance, 5.400, 1ZZ		Elise S, '07 MY	A131E6069S	As req
29ii	Shim, valve clearance, 5.420, 1ZZ		Elise S, '07 MY	A131E6070S	As req
29j	Shim, valve clearance, 5.440, 1ZZ		Elise S, '07 MY	A131E6071S	As req
29jj	Shim, valve clearance, 5.460, 1ZZ		Elise S, '07 MY	A131E6072S	As req
29k	Shim, valve clearance, 5.480, 1ZZ		Elise S, '07 MY	A131E6073S	As req
29kk	Shim, valve clearance, 5.500, 1ZZ		Elise S, '07 MY	A131E6074S	As req
29l	Shim, valve clearance, 5.520, 1ZZ		Elise S, '07 MY	A131E6075S	As req
29ll	Shim, valve clearance, 5.540, 1ZZ		Elise S, '07 MY	A131E6076S	As req
29m	Shim, valve clearance, 5.560, 1ZZ		Elise S, '07 MY	A131E6077S	As req
29m m	Shim, valve clearance, 5.580, 1ZZ		Elise S, '07 MY	A131E6078S	As req
29n	Shim, valve clearance, 5.600, 1ZZ		Elise S, '07 MY	A131E6079S	As req
29nn	Shim, valve clearance, 5.620, 1ZZ		Elise S, '07 MY	A131E6080S	As req
29o	Shim, valve clearance, 5.640, 1ZZ		Elise S, '07 MY	A131E6081S	As req
29oo	Shim, valve clearance, 5.660, 1ZZ		Elise S, '07 MY	A131E6082S	As req
29p	Shim, valve clearance, 5.680, 1ZZ		Elise S, '07 MY	A131E6083S	As req
29pp	Shim, valve clearance, 5.700, 1ZZ		Elise S, '07 MY	A131E6084S	As req
29q	Shim, valve clearance, 5.720, 1ZZ		Elise S, '07 MY	A131E6085S	As req

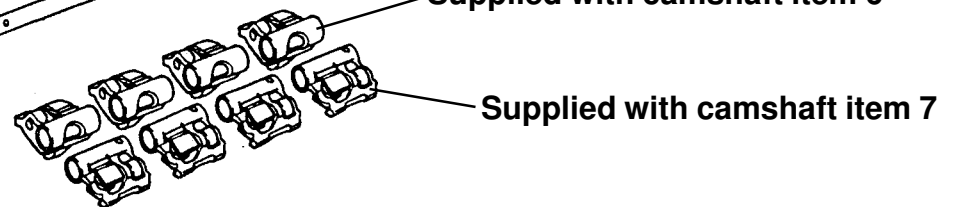
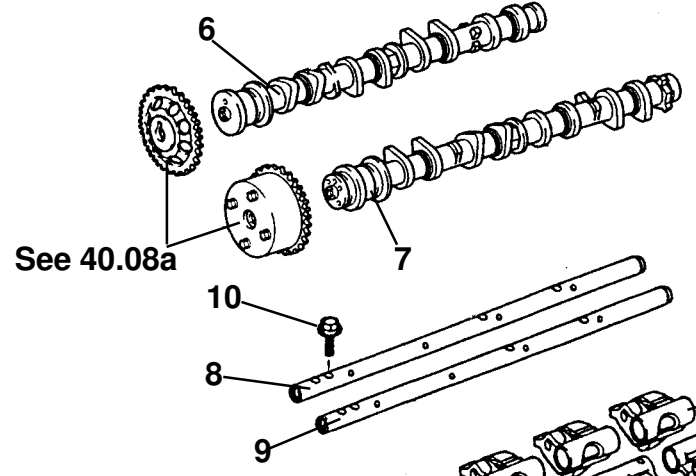
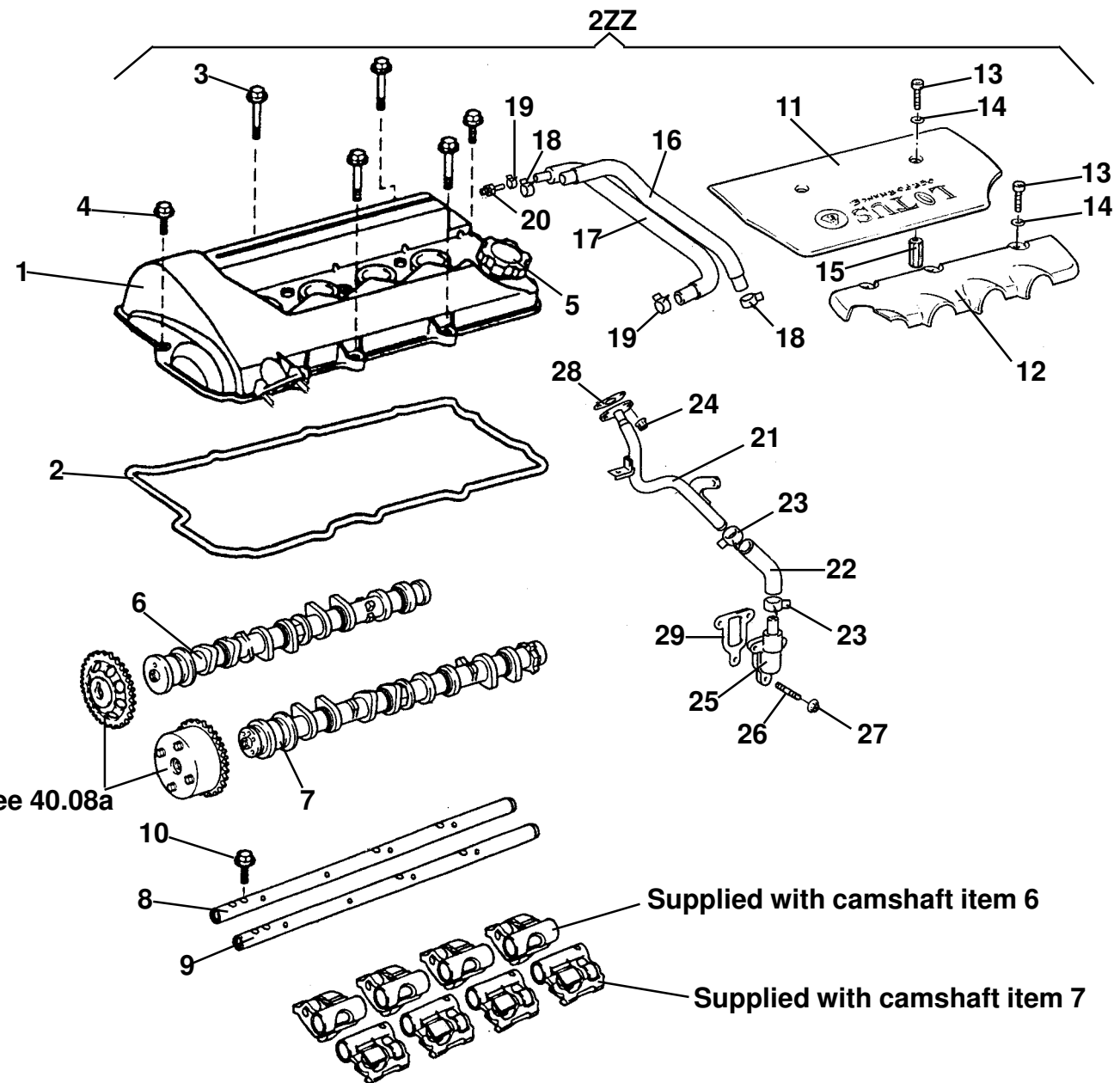
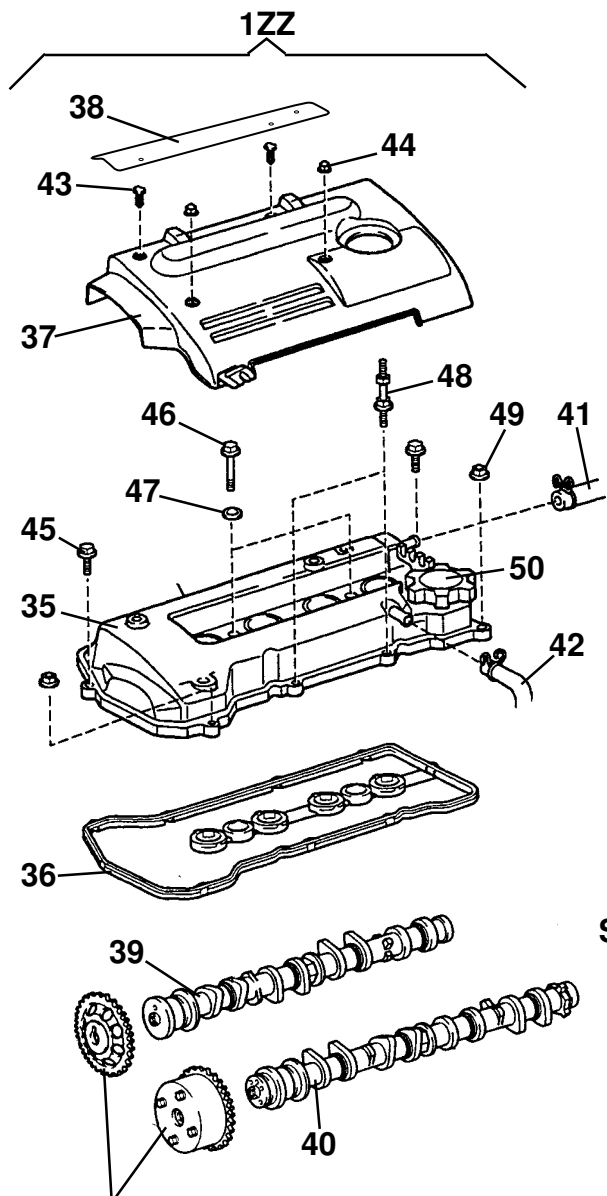
ELISE

Function Code: 40.05, Page: 6

Updated 1st August 2014

Function Code 40.05 Cylinder Head , Valves, Springs

<u>Dep</u>	<u>Part Description</u>	<u>Remarks</u>	<u>Option</u>	<u>Part Number</u>	<u>Qty</u>
29qq	Shim, valve clearance, 5.740, 1ZZ		Elise S, '07 MY	A131E6086S	As req.
30	Stud, housing to head, 2ZZ		111R, Elise R, Exige	A120E6116S	2
31	Plug			A120E6470S	1



Supplied with camshaft item 6

Supplied with camshaft item 7

See 40.08a

See 40.08a

ELISE
40.07

Service Parts List **ELISE**



Function Code 40.07 Camshafts, Tappets, Cam Cover

<u>Dep</u>	<u>Part Description</u>	<u>Remarks</u>	<u>Option</u>	<u>Part Number</u>	<u>Qty</u>
01	Camshaft Cover, 2ZZ		111R, Elise R, Exige	A120E6124S	1
02	Gasket, cam cover, 2ZZ		111R, Elise R, Exige	A120E6119S	1
03	Bolt, cover to head		111R, Elise R, Exige	A120E6131S	6
04	Screw, cover to head		111R, Elise R, Exige		2
05	Oil Filler Cap		111R, Elise R, Exige	A120E6105S	1
06	Camshaft/Rockers, exhaust		111R, Elise R, Exige	A120E6200S	1
07	Camshaft/Rockers, inlet		111R, Elise R, Exige	A120E6199S	1
08	Shaft, exhaust rockers		111R, Elise R, Exige	A120E6266S	1
09	Shaft, inlet rockers		111R, Elise R, Exige	A120E6265S	1
10	Bolt, flg. hd., rocker shaft retention		111R, Elise R, Exige	A120E6267S	10
11	Cover, spark plugs, 2ZZ		111R, Elise R, Exige	B120E0022F	1
12	Cover, fuel injection		111R, Elise R, Exige	A120E0011F	1
12a	Cover, fuel injection, S/C Exige		Exige S	A128E0026K	1
12b	Cover, fuel injection, S/C Elise		Elise SC*	A120E0055K	1
13	Screw, M6 x 16, pan, torx hd. S/S, covers to head		A111W7170F R/B	A117W2213F	5
14	Washer, flat, M6 x 12, covers to head		111R, Elise R, Exige	A100W4127F	5
15	Hexagonal Bar, M6 x 25, plug cover to head		111R, Elise R, Exige	A120W6743F	2
16	Hose, No. 2, cylinder head ventilation	Manual Throttle body	Prior to '06 MY	A120E6169S	1

ELISE

Function Code: 40.07, Page: 1

Updated 1st April 2014

Function Code 40.07 Camshafts, Tappets, Cam Cover

<u>Dep</u>	<u>Part Description</u>	<u>Remarks</u>	<u>Option</u>	<u>Part Number</u>	<u>Qty</u>
16a	Hose, No. 2, cylinder head ventilation	Electronic throttle body	'06 MY	A120E6494S	1
17	Hose, No. 1, cylinder head ventilation		111R, Elise R, Exige	A120E6168S	1
18	Hose Clip, hose No. 2		111R, Elise R, Exige	A120E6175S	2
19	Hose Clip, hose No. 1		111R, Elise R, Exige	A120E6295S	2
20	Valve Assembly, cylinder head ventilation		111R, Elise R, Exige	A120E6126S	1
21	Tube Assembly, crankcase ventilation		111R, Elise R, Exige	A120E6166S	1
21a	Tube Assembly, crankcase ventilation, 2ZZ S/C		Elise SC*	A120E6516S	1
22	Hose, No. 3, crankcase ventilation		111R, Elise R, Exige	A120E6170S	1
23	Hose Clip, hose No. 3		111R, Elise R, Exige	A120E6177S	2
24	Flange Nut, tube assy. to cam cover		111R, Elise R, Exige	A120E6179S	2
25	Casing, oil separator, crankcase ventilation		111R, Elise R, Exige	A120E6165S	1
26	Stud, casing to block		111R, Elise R, Exige	A120E6172S	3
27	Flange Nut, casing to block		111R, Elise R, Exige	A120E6468S	3
28	Gasket, vent tube to cam cover		111R, Elise R, Exige	A120E6167S	1
29	Gasket, oil separator to block		111R, Elise R, Exige	A120E6171S	1
35	Cam Cover, 1ZZ		Elise S, '07 MY	A131E6094S	1
36	Gasket, cam cover, 1ZZ		Elise S, '07 MY	A131E6049S	1
37	Cover, spark plugs, 1ZZ		Elise S, '07 MY	A131E6019H	1
38	Cover Extension, 1ZZ		Elise S, '07 MY	A131E0008F	1
39	Camshaft, inlet, 1ZZ		Elise S, '07 MY	A131E6034S	1
40	Camshaft, exhaust, 1ZZ		Elise S, '07 MY	A131E6035S	1

ELISE

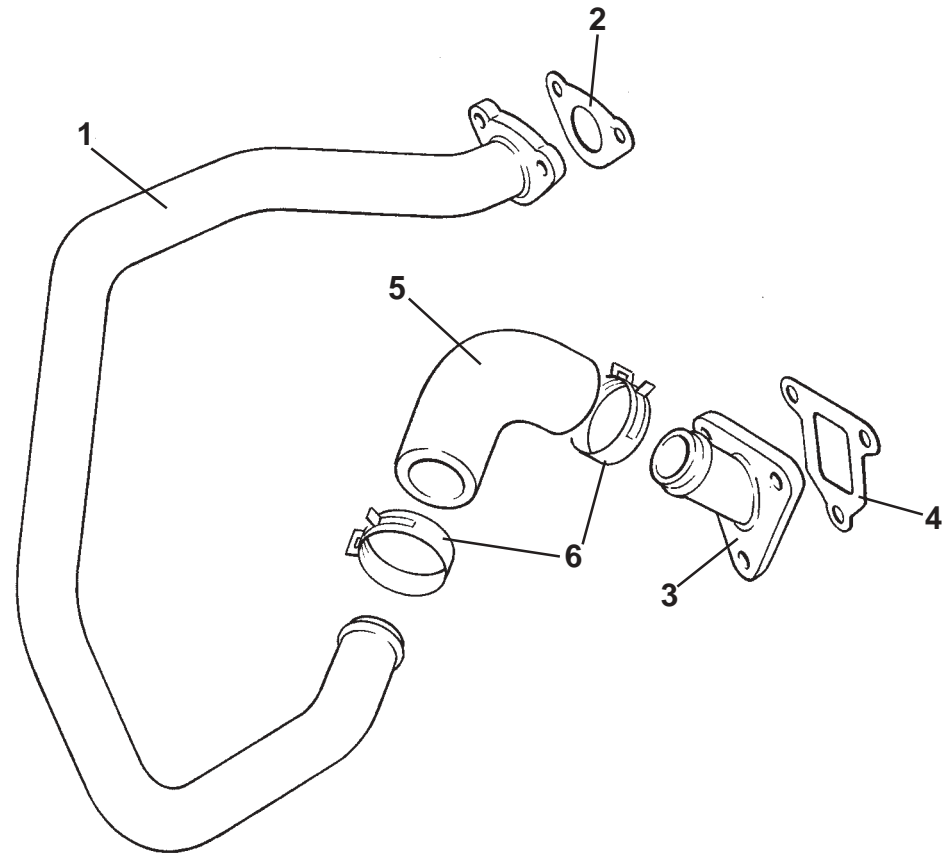
Function Code: 40.07, Page: 2

Updated 1st April 2014

Function Code 40.07 Camshafts, Tappets, Cam Cover

<u>Dep</u>	<u>Part Description</u>	<u>Remarks</u>	<u>Option</u>	<u>Part Number</u>	<u>Qty</u>
41	Hose, breather, cover to intake manifold		Elise S, '07 MY	A131E6153S	1
42	Hose, breather, cover to intake hose		Elise S, '07 MY	A131E0017F	1
43	Screw, plug cover fixing		Elise S, '07 MY	A131E6238S	2
44	Nut, flange, cover fixing		Elise S, '07 MY	A131E6239S	2
45	Screw, cam cover to head		Elise S, '07 MY	A131E6168S	2
46	Bolt, cam cover to head		Elise S, '07 MY	A131E6167S	2
47	Washer, cam cover to head		Elise S, '07 MY	A131E6198S	2
48	Screw, special, cam & plug cover fixing		Elise S, '07 MY	A131E6177S	2
49	Nut, flange, cam cover to head		Elise S, '07 MY	A131E6233S	2
50	Oil Filler Cap		Elise S, '07 MY	A131E66098S	1

*Also Exige fitted with approved
aftersales supercharger kit

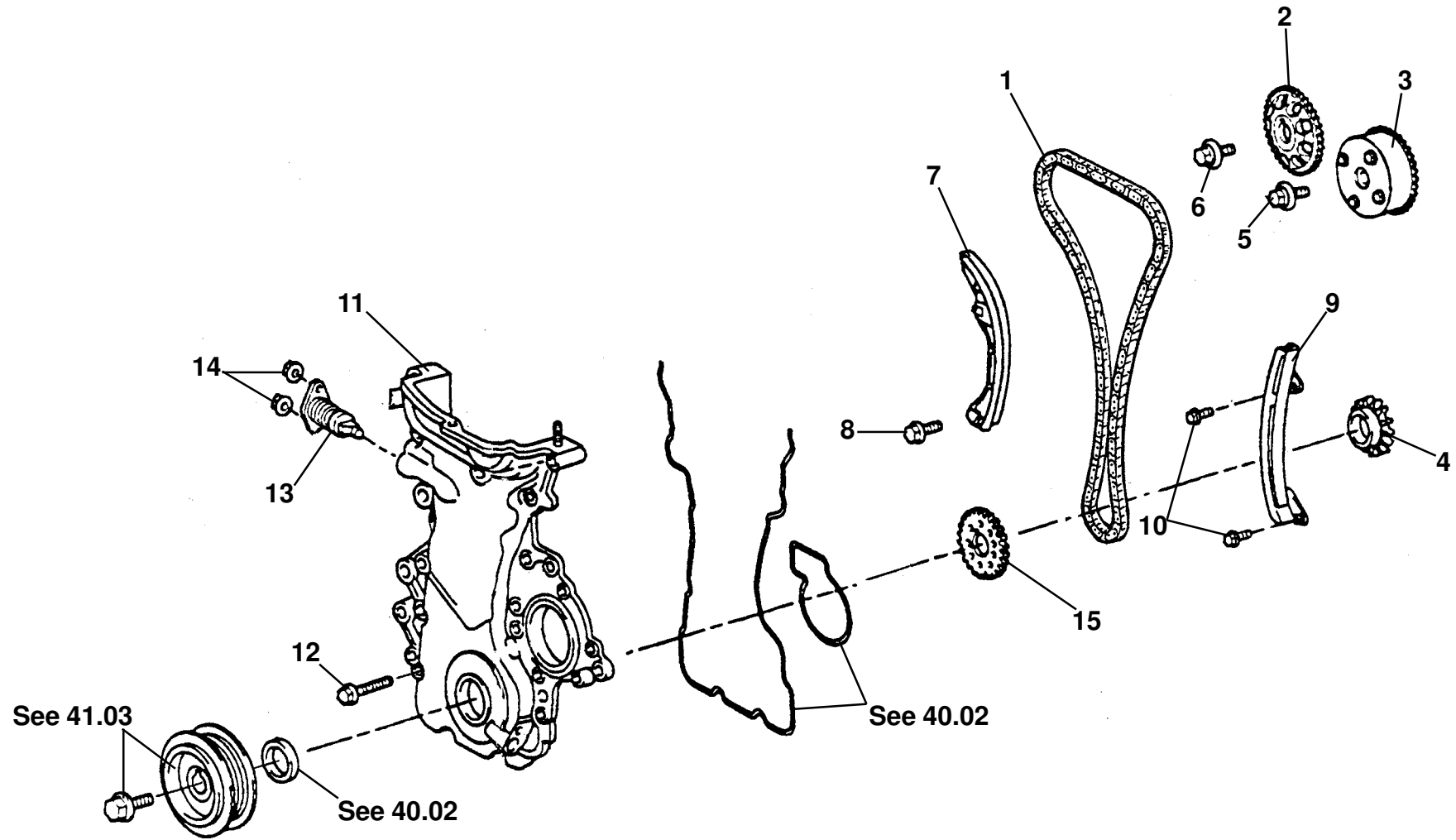


EXIGE

40.07d

Function Code 40.07d Cam Cover, Breather Pipes/Hoses, Supercharged Engine

<u>Dep</u>	<u>Part Description</u>	<u>Remarks</u>	<u>Option</u>	<u>Part Number</u>	<u>Qty</u>
01	Breather Vent Tube			A128E0013F	1
02	Gasket, vent tube to cam cover			A120E6167S	1
03	Breather Mounting Spigot			A128E0015F	1
04	Gasket, mounting to block			A120E6171S	1
05	Hose, No.3, crankcase ventilation	Cut to fit		A120E6170S	1
06	Clip, breather hose, retaining			A120E6177S	2



ELISE
40.08

Service Parts List **ELISE**



Function Code 40.08 Camshaft Drive Chain & Sprockets

<u>Dep</u>	<u>Part Description</u>	<u>Remarks</u>	<u>Option</u>	<u>Part Number</u>	<u>Qty</u>
01	Camshaft Drive Chain, 2ZZ		111R, Elise R, Exige	A120E6207S	1
01a	Camshaft Drive Chain, 1ZZ		Elise S, '07 MY	A131E6089S	1
02	Sprocket, exhaust camshaft		Common	A120E6203S	1
03	Sprocket/Valve Timing Controller Assy., inlet camshaft, 2ZZ		111R, Elise R, Exige	A120E6201S	1
03a	Sprocket/Valve Timing Controller Assy., inlet camshaft, 1ZZ		Elise S, '07 MY	A131E6101S	1
04	Sprocket, drive chain, crankshaft		Common	A120E6202S	1
05	Bolt, hex. flg. hd., sprocket to inlet cam		Common	A120E6205S	1
06	Bolt, hex. flg. hd., sprocket to exhaust cam		Common	A120E6206S	1
07	Chain Tensioner Slipper, 2ZZ		111R, Elise R, Exige	A120E6209S	1
07a	Chain Tensioner Slipper, 1ZZ		Elise S, '07 MY	A131E6104S	1
08	Bolt, hex. flg. hd., slipper to block		Common	A120E6211S	1
09	Chain Vibration Damper, 2ZZ		111R, Elise R, Exige	A120E6210S	1
09a	Chain Vibration Damper, 1ZZ		Elise S, '07 MY	A131E6091S	1
10	Bolt, hex. flg. hd., damper to block		Common	A120E6213S	2
11	Drive Chain Cover, 2ZZ		111R, Elise R, Exige	A120E6132S	1
11a	Drive Chain Cover, 1ZZ		Elise S, '07 MY	A131E6096S	1
12	Bolt, hex. flg. hd., cover to engine, 2ZZ		111R, Elise R, Exige	A120E6135S	8

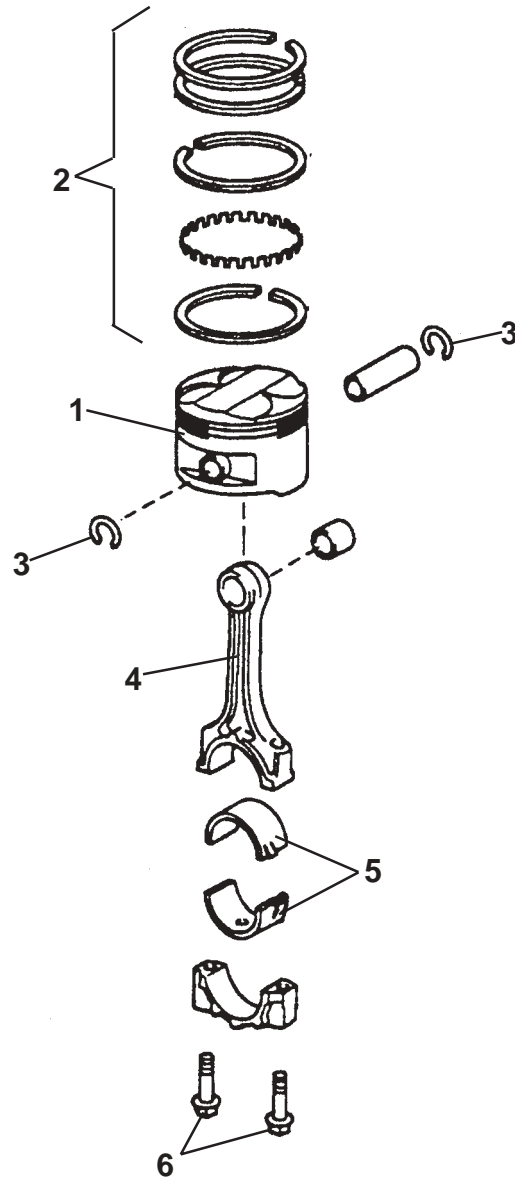
ELISE

Function Code: 40.08, Page: 1

Updated 1st August 2014

Function Code 40.08 Camshaft Drive Chain & Sprockets

<u>Dep</u>	<u>Part Description</u>	<u>Remarks</u>	<u>Option</u>	<u>Part Number</u>	<u>Qty</u>
12a	Bolt, hex. flg. hd., cover to engine, 1ZZ		Elise S, '07 MY	A120E6137S	8
13	Drive Chain Tensioner, 2ZZ	Includes seal	111R, Elise R, Exige	A120E6208S	1
13a	Drive chain tensioner, 1ZZ		Elise S, '07 MY	A131E6090S	1
14	Flange Nut, tensioner to cover		Common	A120E6212S	2
15	Plate, crank angle sensor		Common	A120E6204S	1



ELISE
40.09

Service Parts List **ELISE**

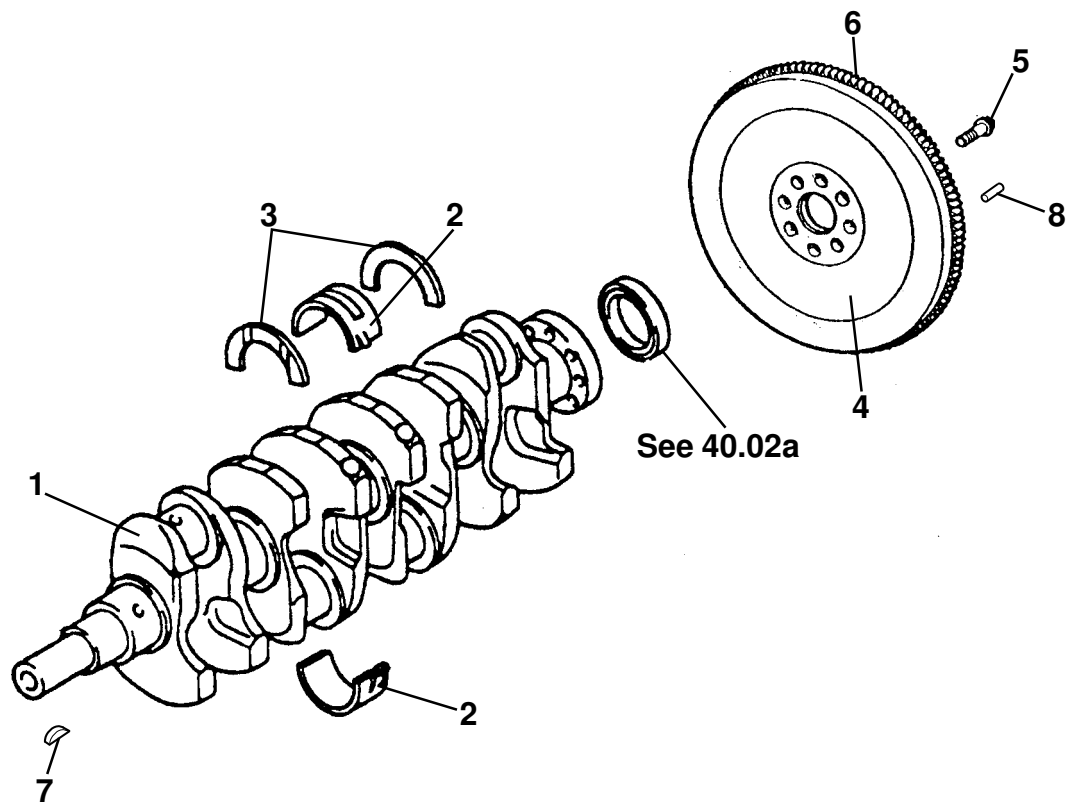


Function Code 40.09 Pistons, Con-rods, Liners

<u>Dep</u>	<u>Part Description</u>	<u>Remarks</u>	<u>Option</u>	<u>Part Number</u>	<u>Qty</u>
01	Piston Assembly, 2ZZ	Incl. gudgeon pin, circlips	111R, Elise R, Exige	A120E6188S	4
01a	Piston Assembly, 1ZZ		Elise S, '07 MY	A131E6045S	4
02	Piston Ring Set, 2ZZ		111R, Elise R, Exige	A120E6178S	1
02a	Piston Ring Set, 1ZZ		Elise S, '07 MY	A131E6046S	1
03	Circlip, gudgeon pin retaining		111R, Elise R, Exige	A120E6189S	4
04	Con-rod, 2ZZ		111R, Elise R, Exige	A120E6190S	4
04a	Con-rod, 1ZZ		Elise S, '07 MY	A131E6032S	4
05	Con-rod Bearing Set (pair), size 1*	Selective fit	111R, Elise R, Exige	A120E6191S	4
05a	Con-rod Bearing Set (pair), size 2*	Selective fit	111R, Elise R, Exige	A120E6192S	4
05b	Con-rod Bearing Set (pair), size 3*	Selective fit	111R, Elise R, Exige	A120E6193S	4
05c	Con-rod Bearing Set (pair), size -0.25*	Selective fit	111R, Elise R, Exige	A120E6194S	4
05d	Con-rod Bearing Set (pair), size 1*	Selective fit	Elise S, '07 MY	A131E6240S	4
05e	Con-rod Bearing Set (pair), size 2*	Selective fit	Elise S, '07 MY	A131E6241S	4
05f	Con-rod Bearing Set (pair), size 3*	Selective fit	Elise S, '07 MY	A131E6242S	4
05g	Con-rod Bearing Set (pair), size -0.25*	Selective fit	Elise S, '07 MY	A131E6243S	4
06	Bolt, hex. flg. hd., cap to rod, 2ZZ		111R, Elise R, Exige	A120E6182S	8
06a	Bolt, hex. flg. hd., cap to rod, 1ZZ		Elise S, '07 MY	A131E6102S	8

*Refer to engine manual for size required





ELISE
40.11

Service Parts List **ELISE**



Function Code 40.11 Crankshaft, Bearings, Flywheel

<u>Dep</u>	<u>Part Description</u>	<u>Remarks</u>	<u>Option</u>	<u>Part Number</u>	<u>Qty</u>
01	Crankshaft, 2ZZ		111R, Elise R, Exige	A120E6263S	1
01a	Crankshaft, 1ZZ		Elise S, '07 MY	A131E6031S	1
02	Main Bearing Set, size 1 (pair)*	Selective fit	111R, Elise R, Exige	A120E6150S	5
02a	Main Bearing Set, size 2 (pair)*	Selective fit	111R, Elise R, Exige	A120E6151S	5
02b	Main Bearing Set, size 3 (pair)*	Selective fit	111R, Elise R, Exige	A120E6152S	5
02c	Main Bearing Set, size 4 (pair)*	Selective fit	111R, Elise R, Exige	A120E6153S	5
02d	Main Bearing Set, size 5 (pair)*	Selective fit	111R, Elise R, Exige	A120E6154S	5
02e	Main Bearing Set, size +0.25 (pair)*	Selective fit	111R, Elise R, Exige	A120E6155S	5
02f	Main Bearing Set, size 1 (pair)*	Selective fit	Elise S, '07 MY	A131E6036S	5
02g	Main Bearing Set, size 2 (pair)*	Selective fit	Elise S, '07 MY	A131E6037S	5
02h	Main Bearing Set, size 3 (pair)*	Selective fit	Elise S, '07 MY	A131E6038S	5
02i	Main Bearing Set, size 4 (pair)*	Selective fit	Elise S, '07 MY	A131E6039S	5
02j	Main Bearing Set, size +0.25 (pair)*	Selective fit	Elise S, '07 MY	A131E6040S	5
03	Thrust Washer		Common	A120E6156S	2
04	Flywheel, 2ZZ	Excluding dowels, item 8	111R, Elise R, Exige	A120E6195S	1
04a	Flywheel, 1ZZ	Excluding dowels, item 8	Elise S, '07 MY	A131E6033S	1
04b	Flywheel, lightweight	Excluding dowels, item 8	Optional	A128E6022F	1
05	Bolt, flywheel to crankshaft		Common	A120E6197S	8

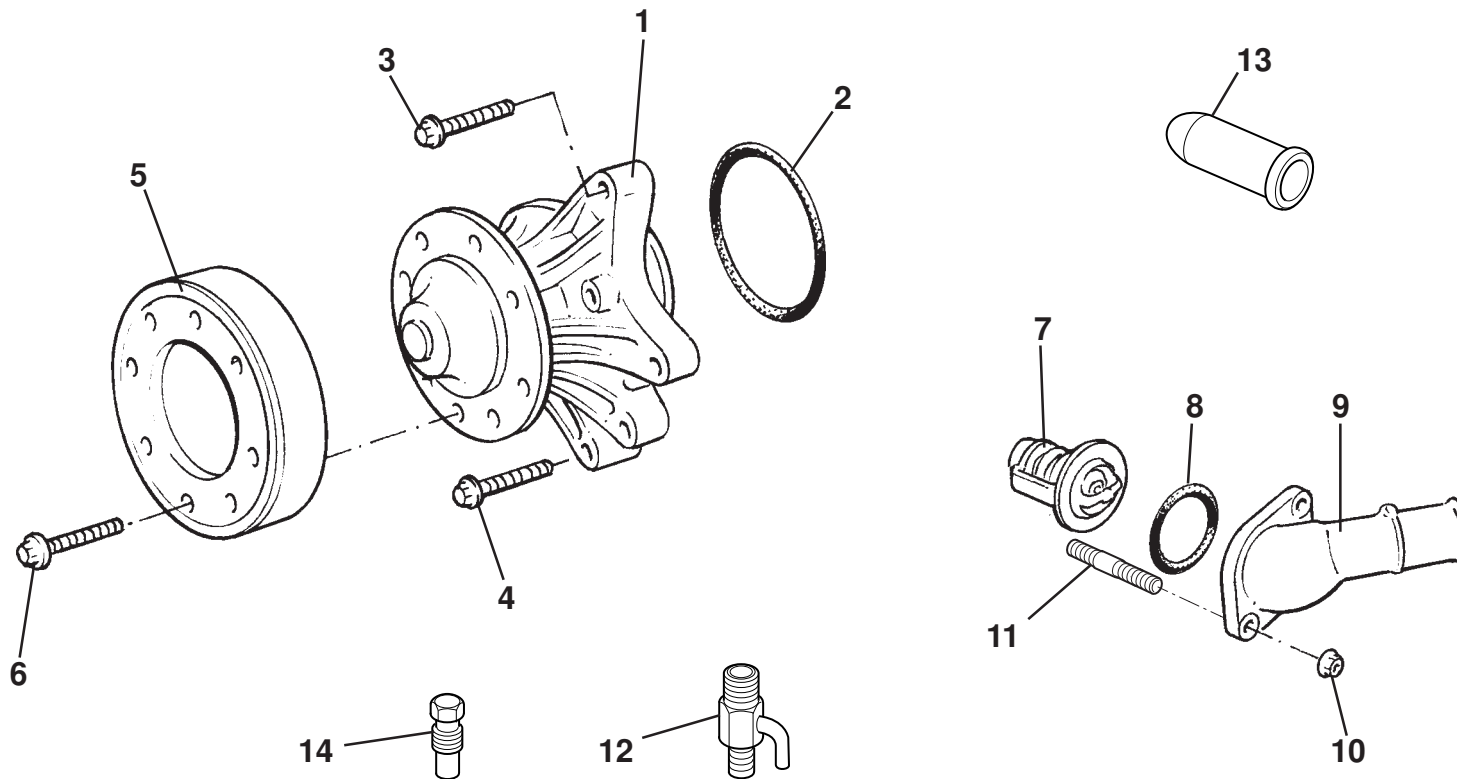
ELISE

Function Code: 40.11, Page: 1

Updated 4th April 2013

Function Code 40.11 Crankshaft, Bearings, Flywheel

<u>Dep</u>	<u>Part Description</u>	<u>Remarks</u>	<u>Option</u>	<u>Part Number</u>	<u>Qty</u>
06	Starter Gear Ring, 2ZZ		111R, Elise R, Exige	A120E6273S	1
07	Key, crankshaft		Common	A120E6469S	1
08	Dowel, clutch cover to flywheel		Common	A120E6196S	2
		*Refer to engine manual for size required			



ELISE
40.13

Updated 16th January 2013

Service Parts List **ELISE**



Function Code 40.13 Water Pump Assembly, Thermostat

<u>Dep</u>	<u>Part Description</u>	<u>Remarks</u>	<u>Option</u>	<u>Part Number</u>	<u>Qty</u>
01	Water Pump Assembly, 2ZZ	A120E6298S R/B, order bolts, items 3a and 6a	111R, Elise R, Exige	A120E6498S	1
01a	Water Pump Assembly, 1ZZ	Includes pulley	Elise S, '07 MY	A131E6116S	1
02	Seal, 'O' ring, pump to block		111R, Elise R, Exige	A120E6300S	1
02a	Seal, 'O' ring, pump to block		Elise S, '07 MY	A131E6162S	1
03	Bolt, long, pump to block, 2ZZ	For pump A120E6298S	Elise 111R, Exige	A120E6136S	2
03a	Bolt, short, pump to block	For pump A120E6498S + 1ZZ	111R, Elise R, S, Exige	A120E6500S	2
04	Bolt, short, pump to block		Common	A120E6272S	4
05	Pulley, water pump, 2ZZ		111R, Elise R, Exige	A120E6301S	1
06	Bolt, long, pulley to pump, 2ZZ	For pump A120E6298S	111R, Elise R, Exige	A120E6302S	4
06a	Bolt, short, pulley to pump, 2ZZ	For pump A120E6498S	111R, Elise R, Exige	A120E6499S	4
07	Thermostat, 2ZZ		111R, Elise R, Exige	A120E6315S	1
07a	Thermostat, 1ZZ		Elise S, '07 MY	A131E6123S	1
08	Gasket, thermostat to cover		Common	A120E6314S	1
09	Inlet Housing, coolant to thermostat, 2ZZ		111R, Elise R, Exige	A120E6313S	1
09a	Inlet Housing, coolant to thermostat, 1ZZ		Elise S, '07 MY	A131E6122S	1
10	Nut, cover to block, 2ZZ		111R, Elise R, Exige	A120E6468S	2
10a	Nut, cover to block, 1ZZ		Elise S, '07 MY	A131E6234S	2
11	Stud, cover to block		Common	A120E6172S	2

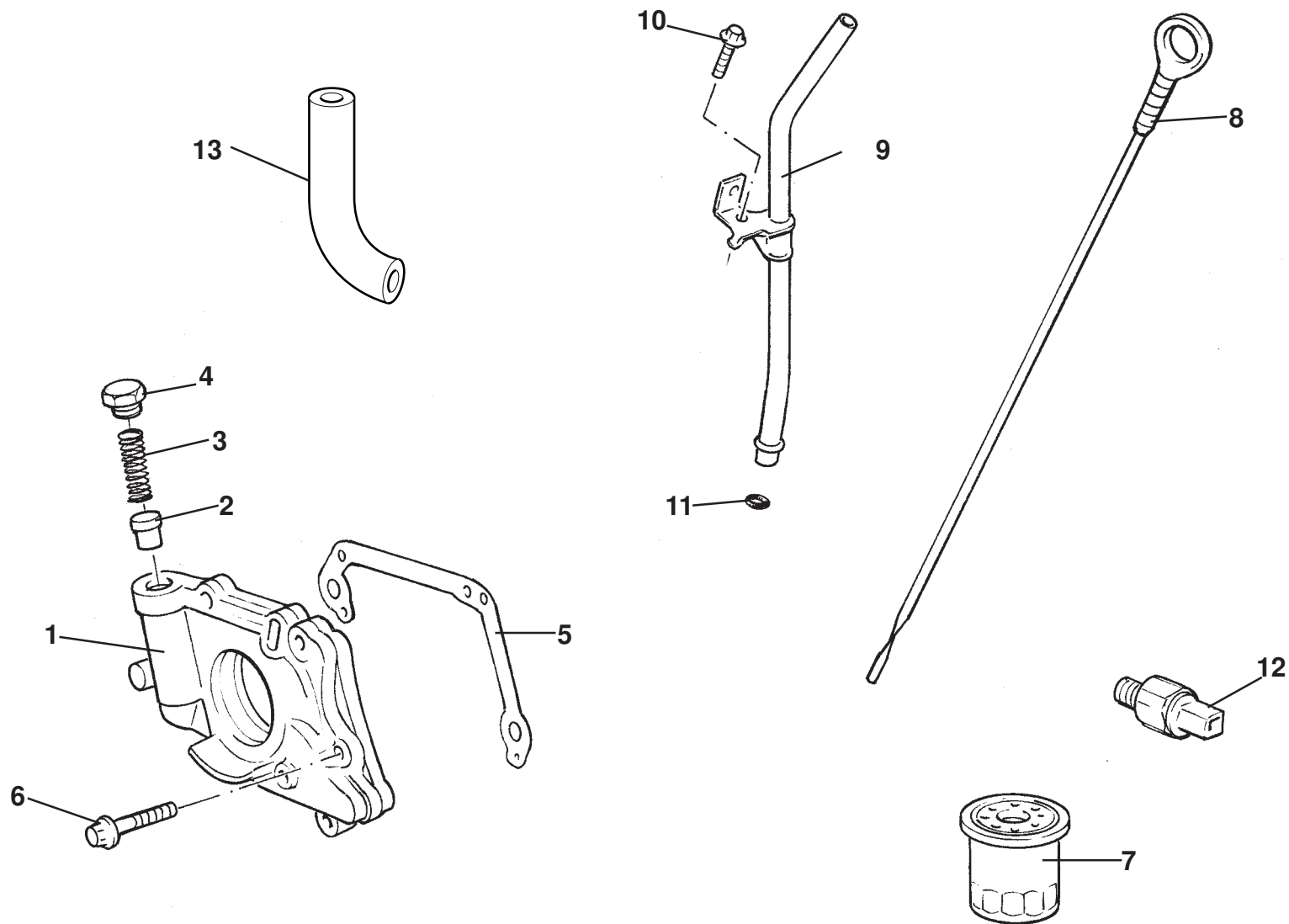
ELISE

Function Code: 40.13, Page: 1

Updated 16th January 2013

Function Code 40.13 Water Pump Assembly, Thermostat

<u>Dep</u>	<u>Part Description</u>	<u>Remarks</u>	<u>Option</u>	<u>Part Number</u>	<u>Qty</u>
12	Drain Cock Assembly		111R, Elise R, Exige	A120E6320S	1
13	Spigot, coolant hose, 2ZZ		111R, Elise R, Exige	A120E6149S	1
14	Drain Plug	P/O cock assy.	111R, Elise R, Exige	A120E6441S	1



ELISE

40.15

Updated 16th January 2013

Service Parts List **ELISE**



Function Code 40.15 Lubrication System

<u>Dep</u>	<u>Part Description</u>	<u>Remarks</u>	<u>Option</u>	<u>Part Number</u>	<u>Qty</u>
01	Oil Pump Assembly, 2ZZ		111R, Elise R, Exige	A120E6270S	1
01a	Oil Pump Assembly, 1ZZ		Elise S, '07 MY	A131E6092S	1
02	Relief Valve, oil pump, 2ZZ		111R, Elise R, Exige	A120E6432S	1
02a	Relief Valve, oil pump, 1ZZ		Elise S, '07 MY	A131E6245S	1
03	Spring, oil pump relief valve, 2ZZ		111R, Elise R, Exige	A120E6433S	1
03a	Spring, oil pump relief valve, 1ZZ		Elise S, '07 MY	A131E6246S	1
04	Plug, oil pump relief valve, 2ZZ		111R, Elise R, Exige	A120E6434S	1
04a	Plug, oil pump relief valve, 1ZZ		Elise S, '07 MY	A131E6247F	1
05	Gasket, oil pump, 2ZZ		111R, Elise R, Exige	A120E6271S	1
05a	Gasket, oil pump, 1ZZ		Elise S, '07 MY	A131E6109S	1
06	Bolt, flange, oil pump to block, 2ZZ		111R, Elise R, Exige	A120E6272S	6
06a	Bolt, flange, oil pump to block, 1ZZ		Elise S, '07 MY	A131E6223S	6
07	Oil Filter, 2ZZ		111R, Elise R, Exige	A120E6277S	1
07a	Oil Filter, 1ZZ		Elise S, '07 MY	A131E6022S	1
08	Dipstick, 2ZZ		111R, Elise R, Exige	A120E6279S	1
08a	Dipstick, 1ZZ		Elise S, '07 MY	A131E6110S	1
09	Guide Tube, dipstick, 2ZZ		111R, Elise R, Exige	A120E6278S	1
09a	Guide Tube, dipstick, 2ZZ S/C, Exige		Exige supercharged	A128E0014F	1

ELISE

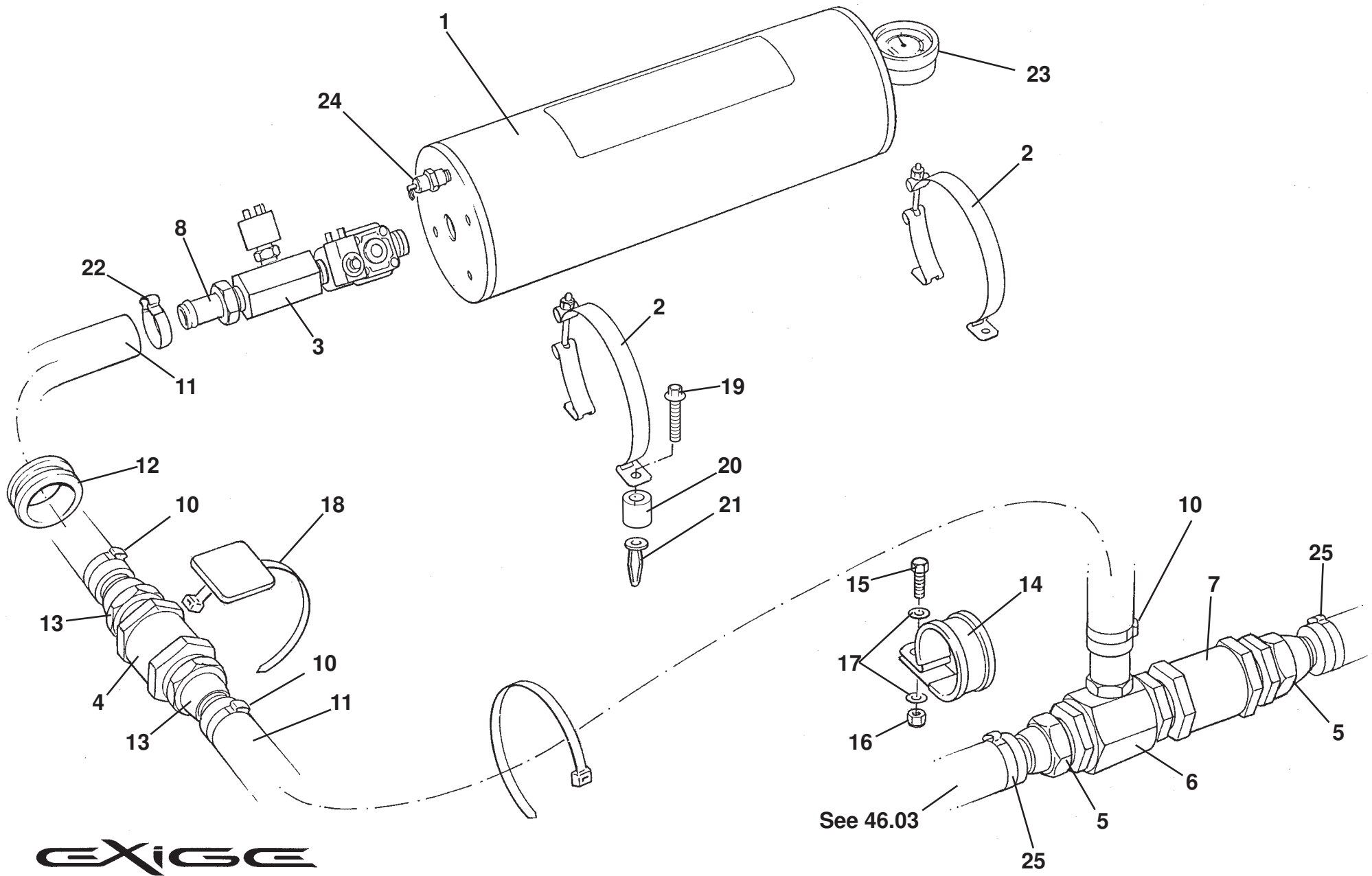
Function Code: 40.15, Page: 1

Updated 16th January 2013

Function Code 40.15 Lubrication System

<u>Dep</u>	<u>Part Description</u>	<u>Remarks</u>	<u>Option</u>	<u>Part Number</u>	<u>Qty</u>
09b	Guide Tube, dipstick, 1ZZ		Elise S, '07 MY	A131E6097S	1
09c	Guide Tube, dipstick, 2ZZ S/C, Elise		Elise SC*	A120E6515S	1
10	Bolt, flgt. hd., guide tube fixing, 2ZZ		111R, Elise R, Exige	A120E6280S	1
10a	Bolt, flgt. hd., guide tube fixing, 1ZZ		Elise S, '07 MY	A131E6178S	1
11	'O' Ring, tube to block		Common	A120E6281S	1
12	Sensor, oil pressure		Common	A120E6374S	1
13	Isolator, dipstick tube		Elise SC*	A120E0051F	1

*Also Exige fitted with approved
aftersales supercharger kit



EXIGE
40.15c

See 46.03

Updated 24th June 2011

Service Parts List



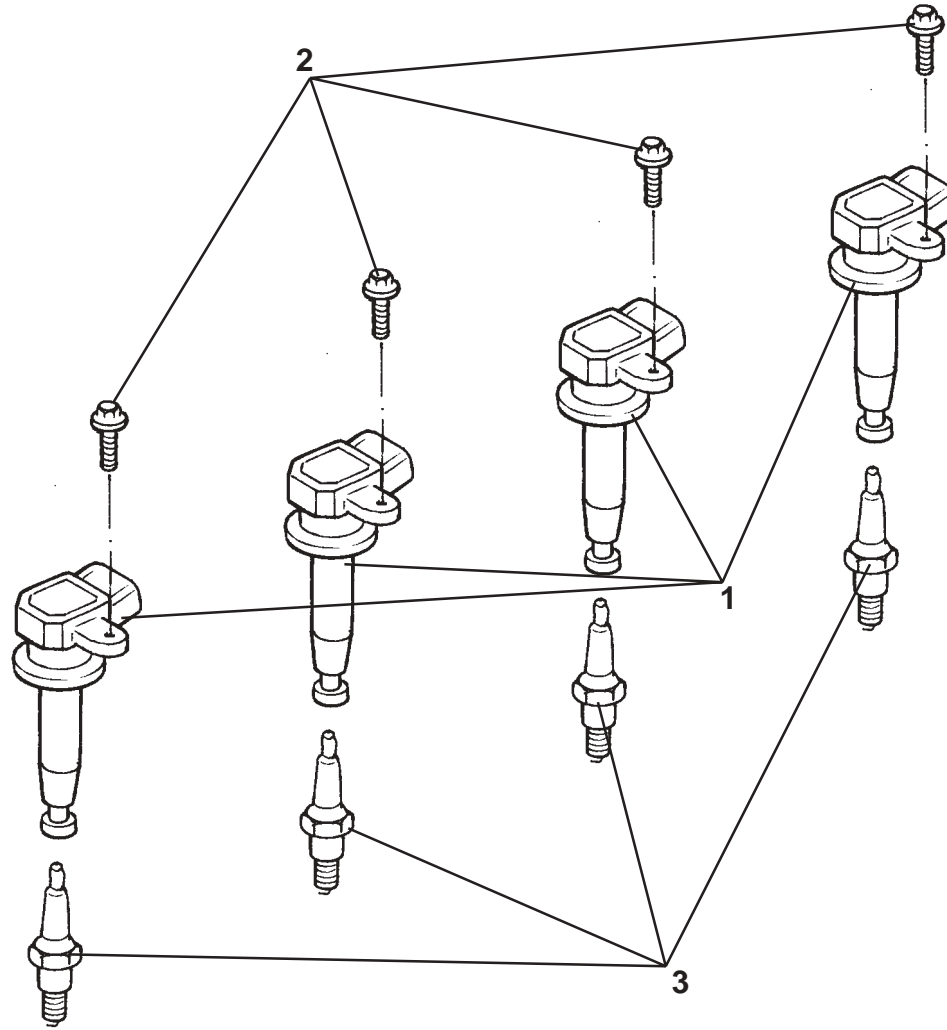
Function Code 40.15c Accusump, Hoses & Fittings

<u>Dep</u>	<u>Part Description</u>	<u>Remarks</u>	<u>Option</u>	<u>Part Number</u>	<u>Qty</u>
01	Accusump, 2QT			ALS3E6001F	1
02	Clamp, accusump mounting			ALS3E6002F	2
03	Valve Assembly, EPC, accusump			ALS3E6003J	1
04	Oil Filter, in-line, 120 micron			ALS3E6016F	1
05	Connector, accusump, 10 JIC, for 5/8" hose			ALS3E6005F	2
06	Connector, accusump 'T' piece			ALS3E6006F	1
07	Connector, accusump one-way valve			ALS3E6007F	1
08	Connector, accusump, 10 JIC, for 1/2" hose			ALS3E6008F	1
09	Connector, accusump, 1/2" NTP for 1/2" hose			ALS3E6009F	1
10	Hose Clip, oetiker	Refer to SB 2010/09 (see 46.03 for hose pt no)	A079M6132F R/B	A121W6768F	3
11	Hose, accusump, 1/2" I/D, low pressure, black	Refer to SB 2010/09		ALS3E6012F	2
12	Grommet, hose thro, body			A082H6046F	1
13	Connection, oil filter, -8 to 1/2" hose			ALS3E6017F	2
14	'P' Clip			A111W6624F	1
15	Bolt, M6 x 20, hex. hd., accusump mounting			A075W1030Z	1
16	Nyloc Nut, M6, accusump mounting			A075W3009Z	1
17	Washer, flat, M6 x 20 x 1.5, accusump mounting			A075W4015Z	5
18	Cable Tie			A075W6038Z	10



Function Code 40.15c Accusump, Hoses & Fittings

<u>Dep</u>	<u>Part Description</u>	<u>Remarks</u>	<u>Option</u>	<u>Part Number</u>	<u>Qty</u>
19	Bolt, M6 x 40, flg. hd.			A918W5217F	4
20	Nylon Spacer			A111U0368F	4
21	Jacknut, M6			A075W3031Z	4
22	Hose clip, oetiker, stepless	Refer to SB 2010/09	A079M6132F R/B	A121W6773F	1
23	Gauge, accusump			ALS3E0305F	1
24	Pressure Relief Valve, Accusump			ALS3E0162F	1
25	Hose Clip, oetiker	Refer to SB 2010/09		A117W6706F	2



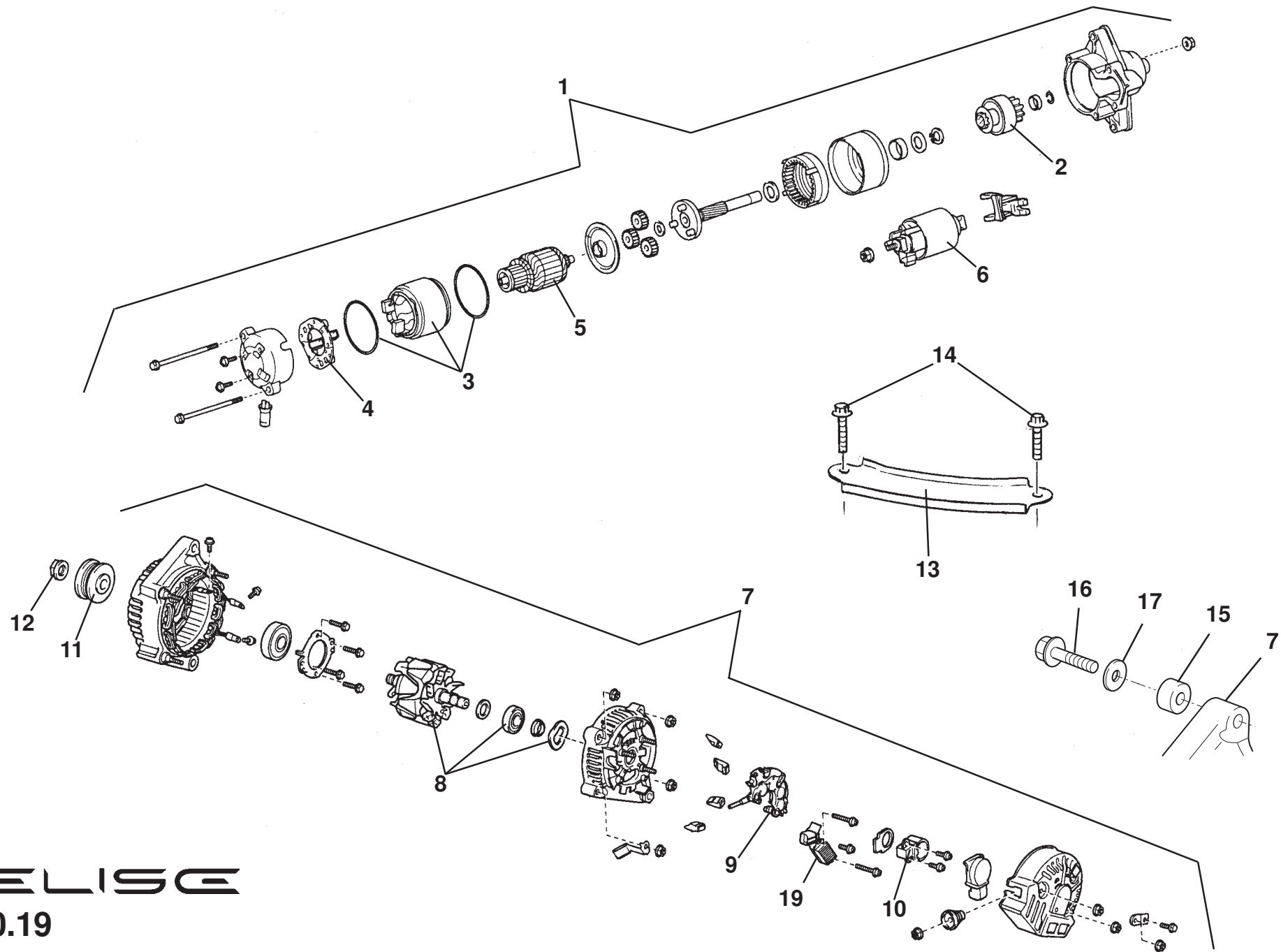
ELISE
40.17

Service Parts List **ELISE**



Function Code 40.17 Ignition System, Spark plugs & Plug Top Coils

<u>Dep</u>	<u>Part Description</u>	<u>Remarks</u>	<u>Option</u>	<u>Part Number</u>	<u>Qty</u>
01	Plug Top Coil, 2ZZ		111R, Elise R, Exige	A120E6346S	4
01a	Plug Top Coil, 1ZZ		Elise S, '07 MY	A131E6132S	4
02	Screw, flg hd., coil to head, 2ZZ		111R, Elise R, Exige	A120E6350S	4
02a	Screw, flg hd., coil to head, 1ZZ		Elise S, '07 MY	A131E6168S	4
03	Spark Plug, 2ZZ		111R, Elise R, Exige	A120E6352S	4
03a	Spark Plug, NGK PFR7G, 2ZZ S/C		Exige S, Elise SC	A128E6006F	4
03b	Spark Plug, 1ZZ		Elise S, '07 MY	A131E6133S	4



ELISE
40.19

Updated 1st August 2014

Service Parts List **ELISE**



Function Code 40.19 Alternator and Starter Motor

<u>Dep</u>	<u>Part Description</u>	<u>Remarks</u>	<u>Option</u>	<u>Part Number</u>	<u>Qty</u>
01	Starter Motor, 2ZZ		111R, Elise R, Exige	A120E6400S	1
01a	Starter Motor, 1ZZ		Elise S, '07 MY	A131E6008H	1
02	Clutch, starter motor, 2ZZ		111R, Elise R, Exige	A120E6435S	1
02a	Clutch, starter motor, 1ZZ		Elise S, '07 MY	A131E6134S	1
03	Yoke Assembly, starter motor, 2ZZ		111R, Elise R, Exige	A120E6436S	1
03a	Yoke Assembly, starter motor, 1ZZ		Elise S, '07 MY	A131E6145S	1
04	Holder Assembly, starter motor, 2ZZ		111R, Elise R, Exige	A120E6437S	1
04a	Holder Assembly, starter motor, 1ZZ		Elise S, '07 MY	A131E6146S	1
05	Armature Assembly, starter motor, 2ZZ		111R, Elise R, Exige	A120E6439S	1
05a	Armature Assembly, starter motor, 1ZZ		Elise S, '07 MY	A131E6136S	1
06	Switch Assembly, 2ZZ		111R, Elise R, Exige	A120E6438S	1
06a	Switch Assembly, 1ZZ		Elise S, '07 MY	A131E6135S	1
07	Alternator		Common	A120E6369S	1
08	Rotor Assembly, alternator		Common	A120E6381S	1
09	Holder, rectifier, alternator		Common	A120E6392S	1
10	Holder, brush, alternator		Common	A120E6405S	1
11	Pulley, alternator		Common	A120E6417S	1
12	Nut, pulley to alternator		Common	A120E6497S	1

ELISE

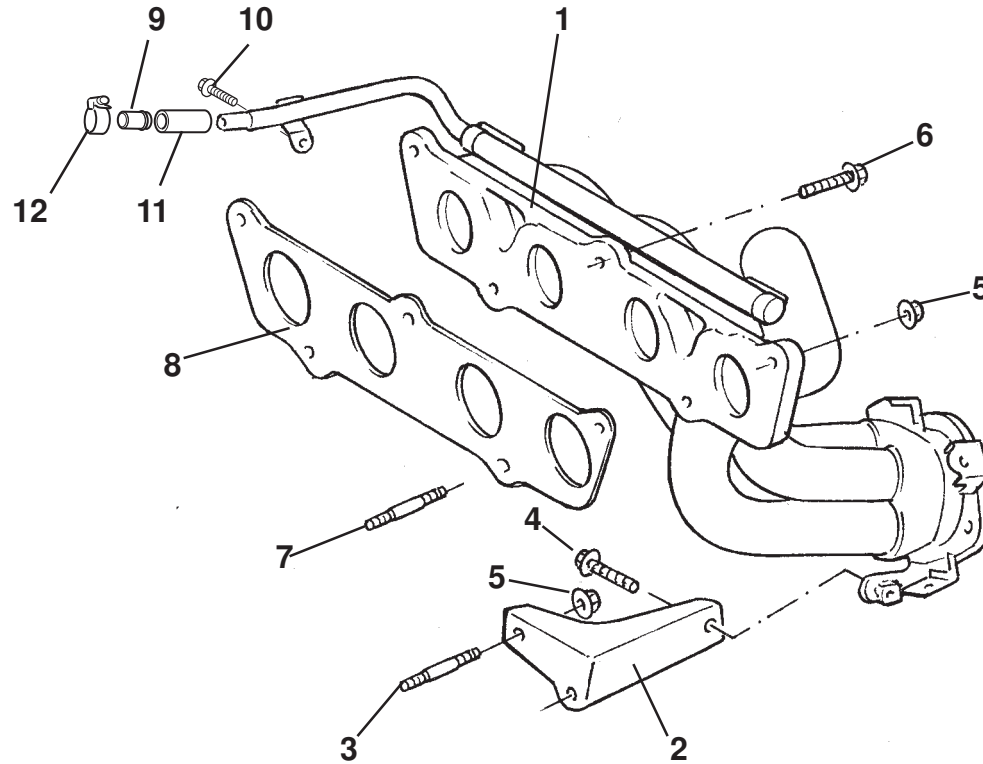
Function Code: 40.19, Page: 1

Updated 1st August 2014

Function Code 40.19 Alternator and Starter Motor

<u>Dep</u>	<u>Part Description</u>	<u>Remarks</u>	<u>Option</u>	<u>Part Number</u>	<u>Qty</u>
13	Bracket, alternator to engine		111R, Elise R, Exige	A120E6183S	1
14	Screw, bracket to alternator/engine		111R, Elise R, Exige	A120E6186S	2
15	Spacer, alternator mounting		Elise S/C*	A128E0018F	1
16	Bolt M8 x 45 hex flg, alternator mounting		Elise S/C*	A075W2040Z	1
17	Washer M8, alternator mounting		Elise S/C*	A111W4175F	1
18	Bolt, Alternator lower fixing	Not illustated		A120E6184S	1
19	Regulator Assembly			A120E6430S	1

*Also Exige fitted with approved
aftersales supercharger kit



ELISE
40.21

Updated 1st August 2014

Service Parts List **ELISE**



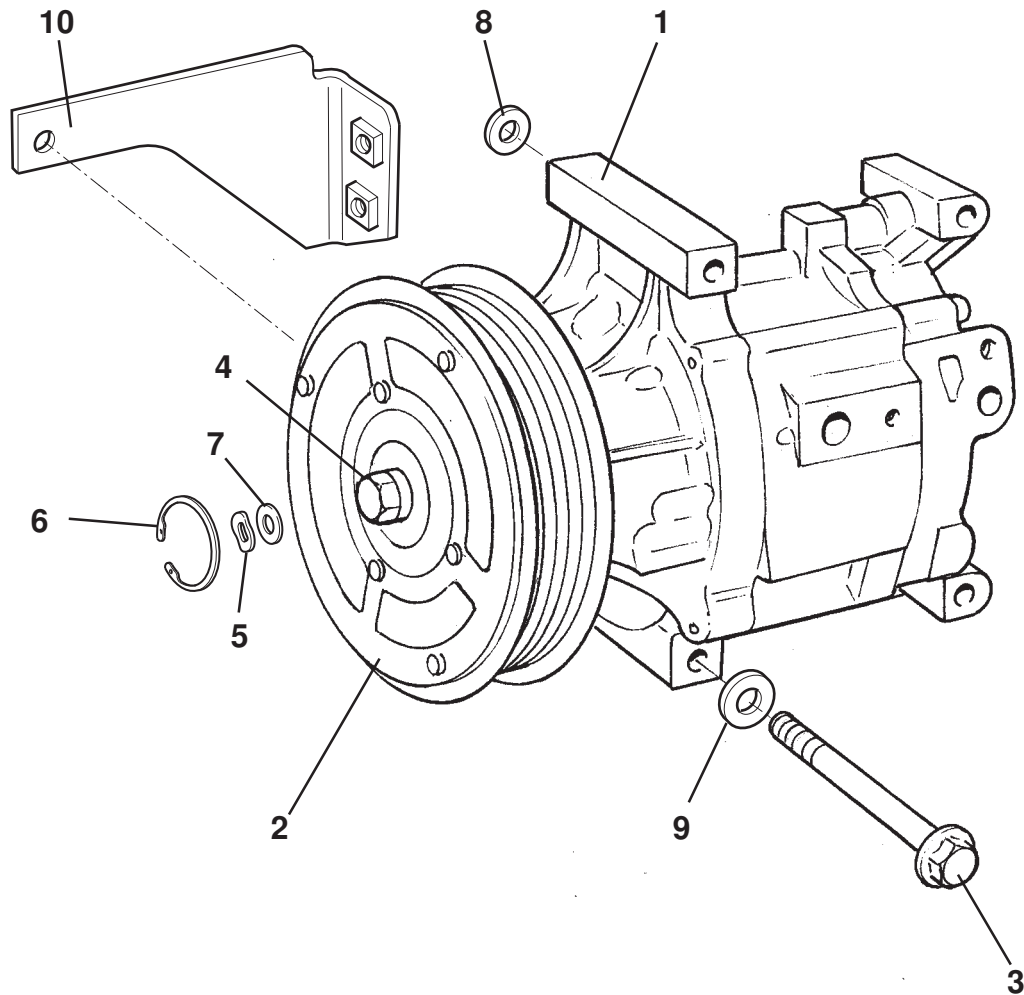
Function Code 40.21 Exhaust Manifold

<u>Dep</u>	<u>Part Description</u>	<u>Remarks</u>	<u>Option</u>	<u>Part Number</u>	<u>Qty</u>
01	Exhaust Manifold, 2ZZ		111R, Elise R, Exige	A120E6331S	1
01a	Exhaust Manifold, 1ZZ		Elise S, '07 MY	A131E6125S	1
02	Stay, exhaust manifold, 2ZZ		111R, Elise R, Exige	A120E6429S	1
02a	Stay, exhaust manifold, 1ZZ		Elise S, '07 MY	A131E6114S	1
03	Stud, stay to engine, 2ZZ		111R, Elise R, Exige	A120E6140S	2
04	Bolt, flg. hd., stay to manifold	3 on 1ZZ, 2 to block	Common	A120E6431S	1
05	Nut, flg., stay/manifold to engine, 2ZZ	5 on 1ZZ, manifold only	Common	A120E6336S	4
06	Bolt, flg. hd., manifold to head, 2ZZ		111R, Elise R, Exige	A120E6335S	3
07	Stud, manifold to head, 2ZZ		111R, Elise R, Exige	A120E6115S	2
07a	Stud, manifold to head, 1ZZ		Elise S, '07 MY	A131E6192S	5
08	Gasket, exhaust manifold, 2ZZ	Also see 40.02	111R, Elise R, Exige	A120E6343S	1
08a	Gasket, exhaust manifold, 1ZZ		Elise S, '07 MY	A131E6164S	1
09	Blanking Plug, unused air injection rail, 2ZZ		111R, Elise R, Exige	A120E0015K	1
10	Bolt, flg. Hd			A120E6337S	1
11	Hose			A120E6334S	1
12	Hose clamp			A120E6428S	1

ELISE

Function Code: 40.21, Page: 1

Updated 1st August 2014



ELISE
40.23

Updated 16th January 2013

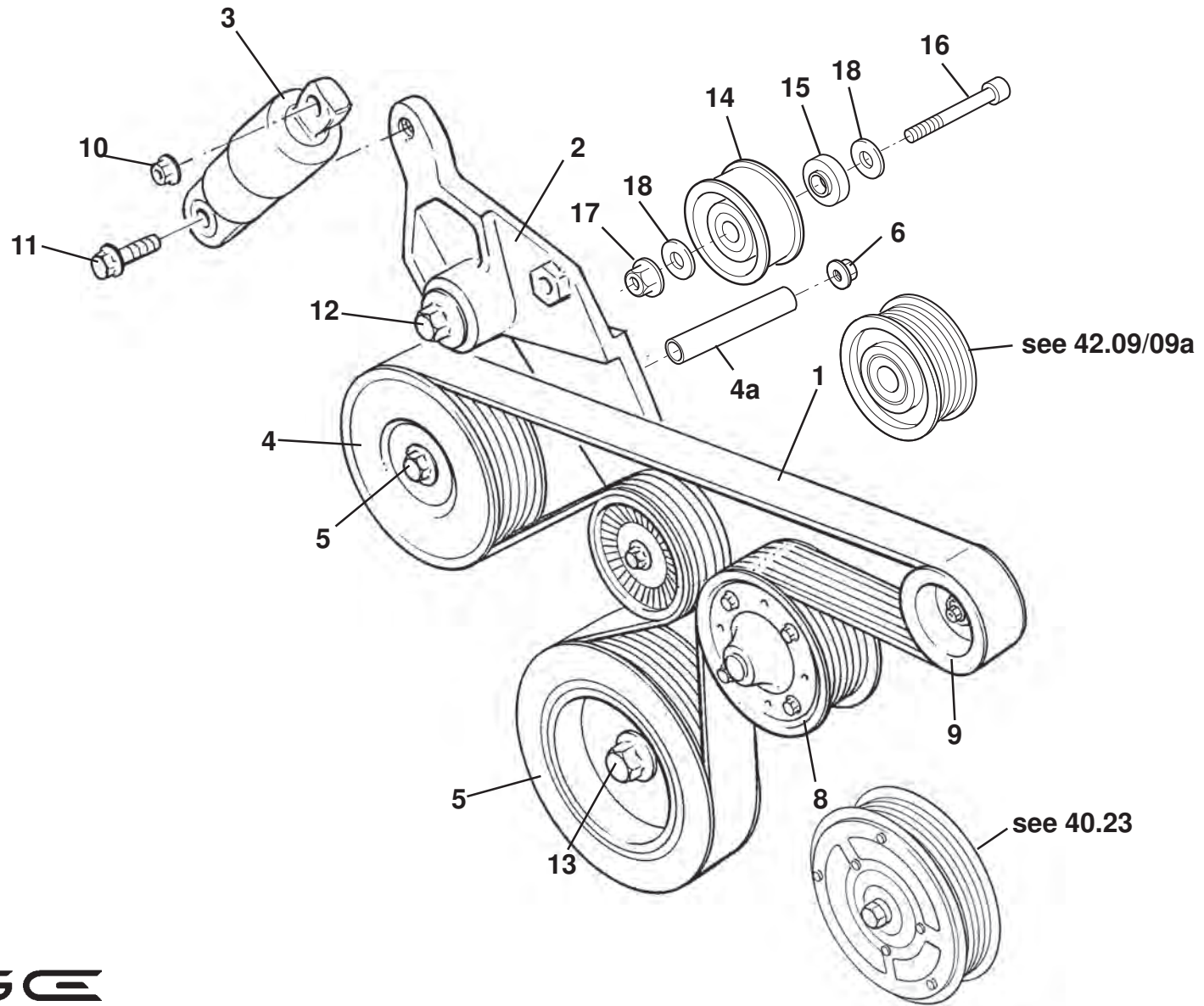
Service Parts List **ELISE**



Function Code 40.23 AC Compressor

<u>Dep</u>	<u>Part Description</u>	<u>Remarks</u>	<u>Option</u>	<u>Part Number</u>	<u>Qty</u>
01	AC Compressor	Not including clutch/pulley assembly	Common	A120E6491S	1
02	Clutch/Pulley Assembly, compressor		Common	A120E6492S	1
03	Bolt, M8, hex. flg. hd., compressor to block		Except Elise SC	A120E6477S	3
03a	Bolt, M8 x 75, hex. flg. hd., compressor to block	Replaces item 3 on S/C cars	Elise SC*	A075W2046Z	3
04	Bolt, M6 x 16, hex. flg. hex. hd., pulley to compressor		Common	A120E6484S	1
05	Washer, wavy, clutch to pulley	Not illustrated	Common	A120E6485S	1
06	Circlip, pulley to compressor	Not illustrated	Common	A120E6486S	1
07	Spacer Washer, clutch to compressor	Not illustrated	Common	A120E6493S	1
08	Spacer, compressor to block	Upper mount	Elise SC*	A120E0067F	1
09	Washer M8, compressor to block		Elise SC*	A075W4020Z	3
10	Bracket, stay to engine		Elise SC*	B120E0060F	1

*Also Exige fitted with approved aftersales supercharger kit



ELISE
41.03

Updated 6th June 2012

Service Parts List **ELISE**



Function Code 41.03 Auxiliary Drive Belts & Pulleys

<u>Dep</u>	<u>Part Description</u>	<u>Remarks</u>	<u>Option</u>	<u>Part Number</u>	<u>Qty</u>
01	Drive Belt, alternator, water pump, 2ZZ		111R, Elise R	A120E6418S	1
01a	Drive Belt, AC compressor, alternator, water pump, 2ZZ	Not illustrated	AC 111R, Elise R, Exige	A120E6416S	1
01b	Drive Belt, ancillaries + supercharger, with AC	Not illustrated	Exige production supercharged	A128E6008F	1
01c	Drive Belt, ancillaries + supercharger, without AC	Not illustrated	Exige production supercharged	A128E6007F	1
01d	Drive Belt, alternator, water pump, 1ZZ	Not illustrated	Elise S, '07 MY	A131E6016F	1
01e	Drive Belt, AC compressor, alternator, water pump, 1ZZ	Not illustrated	AC Elise S, '07 MY	A131E6014H	1
01f	Drive Belt, alternator, water pump, 2ZZ S/C without AC	Not illustrated	Elise SC*	B120E6509F	1
01g	Drive Belt, AC compressor, alternator, water pump, 2ZZ S/C	Not illustrated	Elise SC + AC*	B120E6510F	1
02	Tensioner, drive belt, 2ZZ		111R, Elise R, Exige	A120E6316S	1
02a	Tensioner, drive belt, 1ZZ		Elise S, '07 MY	A131E6128S	1
03	Spring, belt tensioner		Common	A120E6367S	1
04	Idler Assembly, drive belt		Elise/Exige na, Exige production SC	A120E6403S	1
04a	Spacer, idler pulley		Common	A120E6406S	1
05	Bolt, flg. hex. hd, pulley fixing		Common	A120E6404S	1
06	Nut, pulley fixing		Common	A120E6480S	1
07	Pulley, crankshaft to drive belt, 2ZZ		111R, Elise R, exige	A120E6198S	1

ELISE

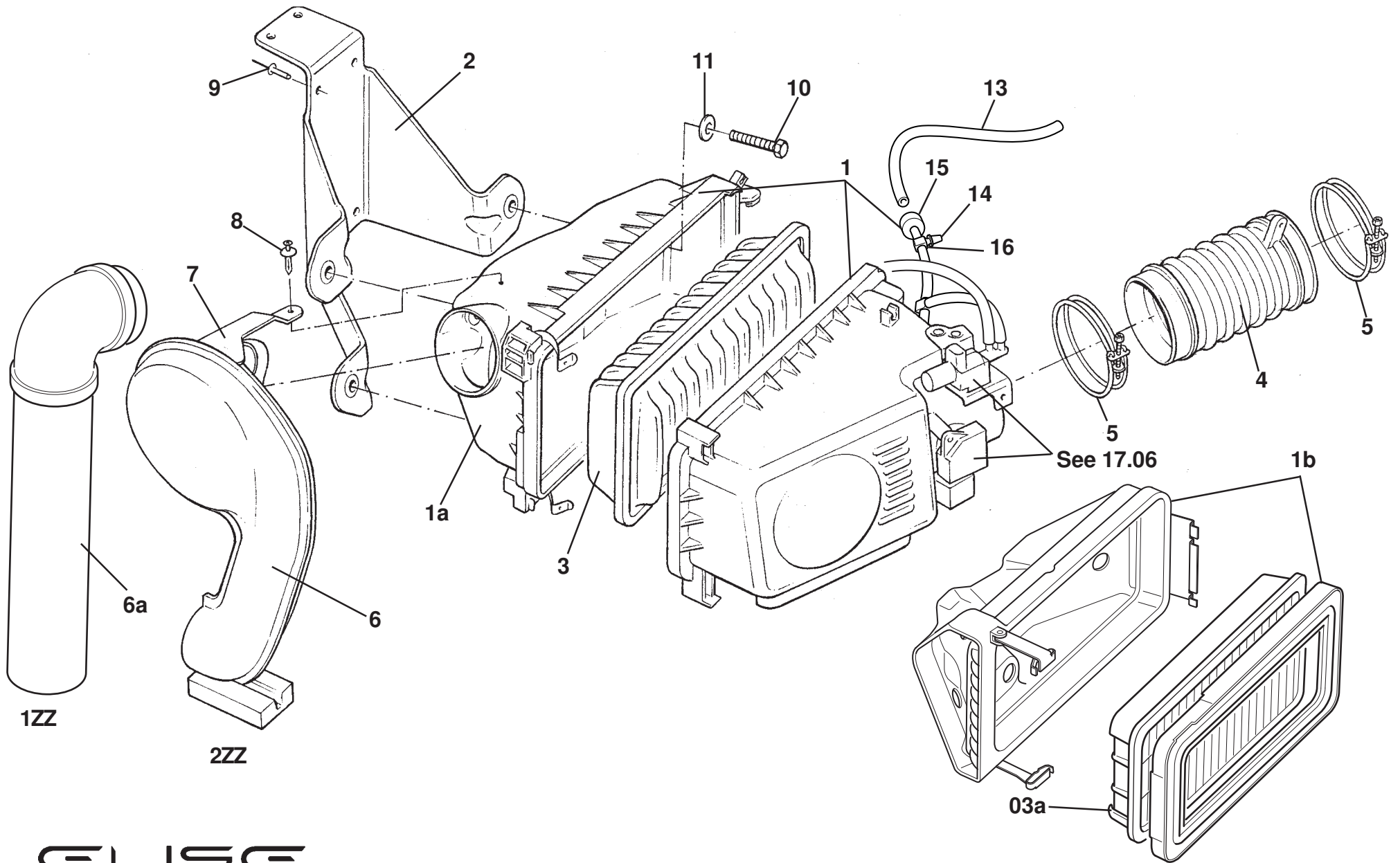
Function Code: 41.03, Page: 1

Updated 6th June 2012

Function Code 41.03 Auxiliary Drive Belts & Pulleys

<u>Dep</u>	<u>Part Description</u>	<u>Remarks</u>	<u>Option</u>	<u>Part Number</u>	<u>Qty</u>
07a	Pulley, crankshaft to drive belt, 1ZZ		Elise S, '07 MY	A131E6103S	1
08	Pulley, water pump, 2ZZ	Also see 40.13	111R, Elise R, Exige	A120E6301S	1
08a	Pulley, water pump, 1ZZ	Also see 40.13	Elise S, '07 MY	A131E6103S	1
09	Pulley, alternator	Also see 40.19	Common	A120E6417S	1
10	Flange Nut, spring to head		Common	A120E6319S	1
11	Bolt, flg. hd., spring to tensioner arm		Common	A120E6450S	1
12	Bolt, flg. hd., tensioner arm to engine		Common	A120E6317S	1
13	Bolt, captive washer, crankshaft pulley fix. 2ZZ		111R, Elise R, Exige	A120E6264S	1
13a	Bolt, captive washer, crankshaft pulley fix. 1ZZ		Elise S, '07 MY	A131E6185S	1
14	Idler Pulley, supercharger		Elise SC*, A120E0082K R/B	A120E6514S	1
15	Spacer, idler pulley, supercharger		Elise S/C*	A120E0052F	1
16	Bolt M10 x 65, cap hd, pulley fixing		Elise S/C*	A111W7144F	1
17	Nut M10, pulley fixing		Elise S/C*	A111W3151F	1
18	Washer M10, pulley fixing		Elise S/C*	B111W4163F	2

*Also Exige fitted with approved
aftersales supercharger kit



ELISE
 42.01

Service Parts List **ELISE**



Function Code 42.01 Airboxes, Trunking & Air Filters

<u>Dep</u>	<u>Part Description</u>	<u>Remarks</u>	<u>Option</u>	<u>Part Number</u>	<u>Qty</u>
01	Airbox Assembly Complete	Includes element and valves	1ZZ, 2ZZ	A120E6383S	1
01a	Airbox Sub-assembly Lower	Includes flap valve	Common	A120E6476S	1
01b	Airbox Lower + Sandwich Plate		Accessory upgrade	A127E6002F	1
02	Bracket, air cleaner mounting		Common	A120E0004F	1
03	Element, air cleaner		Common	A120E6385S	1
03a	Element, air cleaner	For use with item1b	Accessory upgrade	A127E6003F	1
03b	Element, air cleaner, sports	For use with item1	Accessory only	ALS3E6020F	1
04	Hose, airbox to throttle body, 2ZZ		111R, Elise R, Exige	A120E6386S	1
04a	Hose, airbox to throttle body, 1ZZ		Elise S, '07 MY	B131E0004F	1
05	Hose Clip, hose to throttle body, 2ZZ		111R, Elise R, Exige	A120E6388S	1
05a	Hose Clip, hose to airbox, 2ZZ		111R, Elise R, Exige	A120E6388S	1
05b	Hose Clip 60-80mm, hose to fixing, 1ZZ		Elise S, '07 MY	A075L6044F	2
06	Air Intake Snorkel Assembly, 2ZZ		111R, Elise R, Exige	B120E0003F	1
06a	Air Intake Snorkel Assembly, 1ZZ		Elise S, '07 MY	A131E0010F	1
07	Bracket, air intake snorkel mounting	Bonded to snorkel		A120E0028H	1
08	Plastic Fastener, bracket to airbox			A082W6528F	1
09	Pop Rivet, bracket to bulkhead		Common	A111W6614F	6
10	Screw, M8 x 35, hex. hd., airbox to bracket		Common	A075W1041Z	3

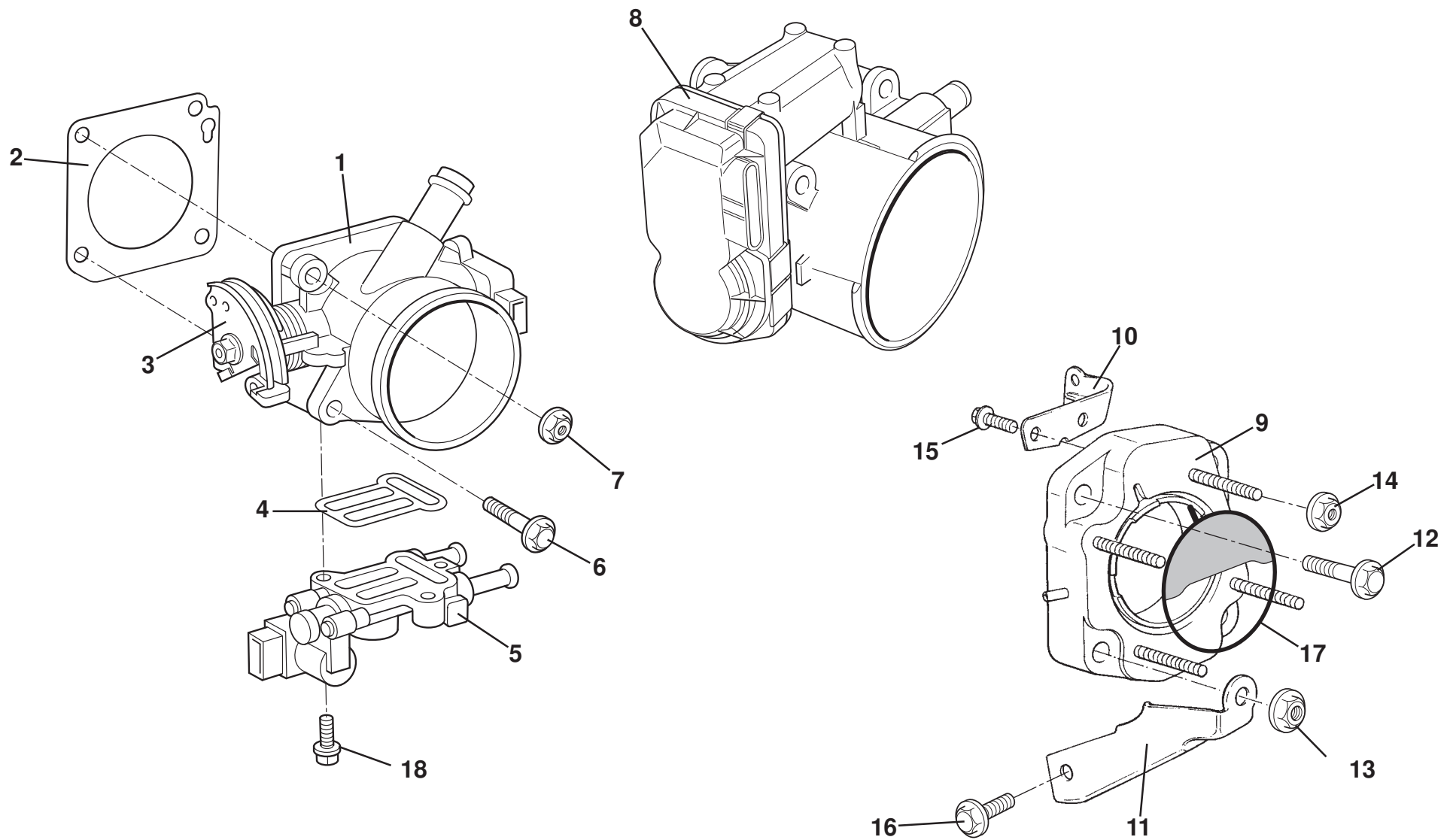
ELISE

Function Code: 42.01, Page: 1

Updated 3rd January 2017

Function Code 42.01 Airboxes, Trunking & Air Filters

<u>Dep</u>	<u>Part Description</u>	<u>Remarks</u>	<u>Option</u>	<u>Part Number</u>	<u>Qty</u>
11	Washer, flat, M8 x 20 x 1.4, airbox to bracket		Common	A082W4165F	3
13	Hose, vacuum, 245mm, valve, vacuum switching to manifold			A121E0008F	1
14	Blanking Plug, vacuum hose 'T' piece			A120W6758F	1
15	Valve One Way			A120E6444S	1
16	'T' Piece			A082J6089F	2



ELISE
42.04

Updated 1st February 2011

Service Parts List **ELISE**



Function Code 42.04 Throttle Body, Mechanism & IAC Valve

<u>Dep</u>	<u>Part Description</u>	<u>Remarks</u>	<u>Option</u>	<u>Part Number</u>	<u>Qty</u>
01	Throttle Body	Includes IAC & TPS	Prior to '06 MY	A120E6353S	1
02	Gasket, throttle body, 2ZZ		111R, Elise R, Exige	A120E6354S	1
03	Quadrant, throttle body	Replaces TMC quadrant	Prior to '06 MY	A120E0019F	1
03a	Gasket, throttle body, 1ZZ		Elise S, '07 MY	A131E6003H	1
04	Gasket, IAC		Prior to '06 MY	A120E6372S	1
05	Idle Air Control Valve (IAC)		Prior to '06 MY	A120E6377S	1
06	Screw, flg. hd, throttle body to manifold		111R, Elise R, Exige	A120E6357S	2
07	Nut, flg. hd., throttle body to manifold		111R, Elise R, Exige	A120E6355S	2
08	Throttle Body, electronic control, 2ZZ	Includes IAC & TPS	'06 MY	A120E6489S	1
08a	Throttle Body, electronic control, 1ZZ	Not illustrated	Elise S, '07 MY on	A131E6002H	1
09	Adaptor, throttle body to manifold, 1ZZ		Elise S, '07 MY on	A131E0003F	1
09a	Insulator/Adaptor, throttle body to manifold, 2ZZ		111R, Elise R, Exige	A120E6523S	1
10	Stay, inlet manifold, upper, 1ZZ		Elise S, '07 MY on	A131E0005F	1
11	Stay, inlet manifold, lower, 1ZZ		Elise S, '07 MY on	A131E6139S	1
12	Bolt, M8 x 30, flg. hd., adaptor to manifold		Elise S, '07 MY on	A116W5245F	3
13	Flange Nut, M8, adaptor/stay to manifold		Elise S, '07 MY on	A131E6235S	1
14	Flange Nut, , M6, throttle body to adaptor		Elise S, '07 MY on	A117W3180F	4
15	Bolt, M6 x 16, flg. hd., stay to adaptor		Elise S, '07 MY on	A131E6229S	2

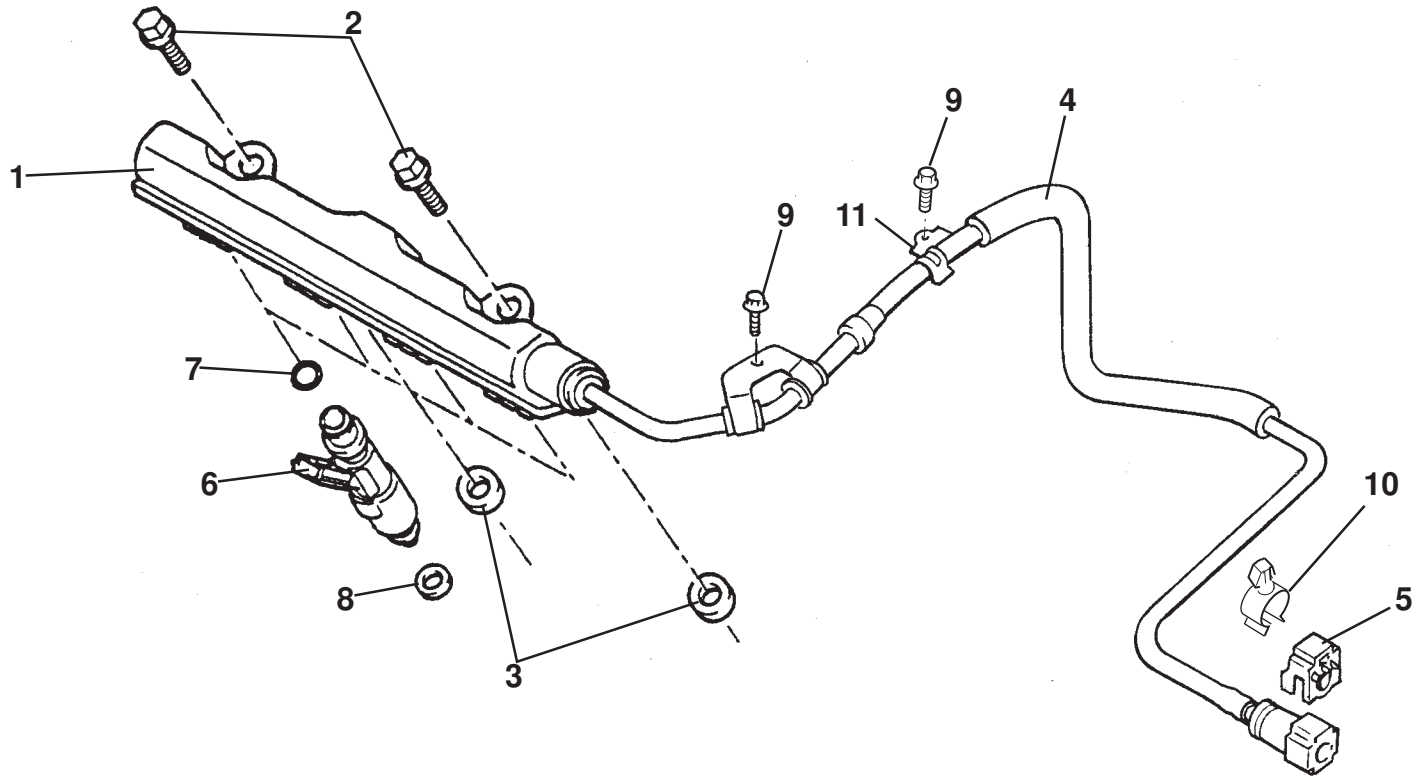
ELISE

Function Code: 42.04, Page: 1

Updated 1st February 2011

Function Code 42.04 Throttle Body, Mechanism & IAC Valve

<u>Dep</u>	<u>Part Description</u>	<u>Remarks</u>	<u>Option</u>	<u>Part Number</u>	<u>Qty</u>
16	Bolt, M8 x 30, flg. hd., stay to manifold		Elise S, '07 MY on	A131E6184S	1
17	Gasket, throttle body to adaptor		Elise S, '07 MY on	A131E6003H	1
18	Bolt, idle air control valve		Prior to '06 MY	A132E6506S	3



ELISE
42.05

Updated 1st August 2014

Service Parts List **ELISE**



Function Code 42.05 Fuel Injection System

<u>Dep</u>	<u>Part Description</u>	<u>Remarks</u>	<u>Option</u>	<u>Part Number</u>	<u>Qty</u>
01	Fuel Rail, 2ZZ		111R, Elise R, Exige	A120E6362S	1
01a	Fuel Rail, 1ZZ		Elise S, '07 MY	A131E6143S	1
02	Bolt, flg. hd., fuel rail fixing, 2ZZ		111R, Elise R, Exige	A120E6364S	2
02a	Bolt, flg. hd., fuel rail fixing, 1ZZ		Elise S, '07 MY	A131E6248S	2
03	Spacer, fuel rail to manifold, 2ZZ		111R, Elise R, Exige	A120E6363S	2
03a	Spacer, fuel rail to manifold, 1ZZ		Elise S, '07 MY	A131E6070S	2
04	Hose Assembly, fuel rail	Includes item 5	Common	A120E6365J	1
05	Double Lock Connect, fuel feed	See Service Notes: section LJ	Common	A120W6757F	1
06	Fuel Injector, 2ZZ	Includes 'O' rings, dark grey body	111R, Elise R, Exige, 240R, Exige S Euro	A120E6479S	4
06a	Fuel Injector, 1ZZ	Includes 'O' rings	Elise S, '07 MY	A131E6137S	4
06b	Fuel Injector, Exige S 240/255/260, Elise SC	Includes 'O' rings, Green body	Exige S USA, Cup 255/260, Elise SC	A129E6000F	4
07	'O' Ring, injector		Common	A120E6457S	4
08	Insulator, injector, 2ZZ		111R, Elise R, Exige	A120E6361S	4
08a	Insulator, injector, 1ZZ		Elise S, '07 MY	A131E6142S	4
09	Bolt, fuel pipe fixing, 2ZZ		111R, Elise R, Exige	A120E6359S	2
09a	Bolt, fuel pipe fixing, 1ZZ		Elise S, '07 MY	A131E6222S	1
10	Clip Pipe, fuel pipe to header bracket	For cars where fuel pipe routes over airbox		A120W6771F	1

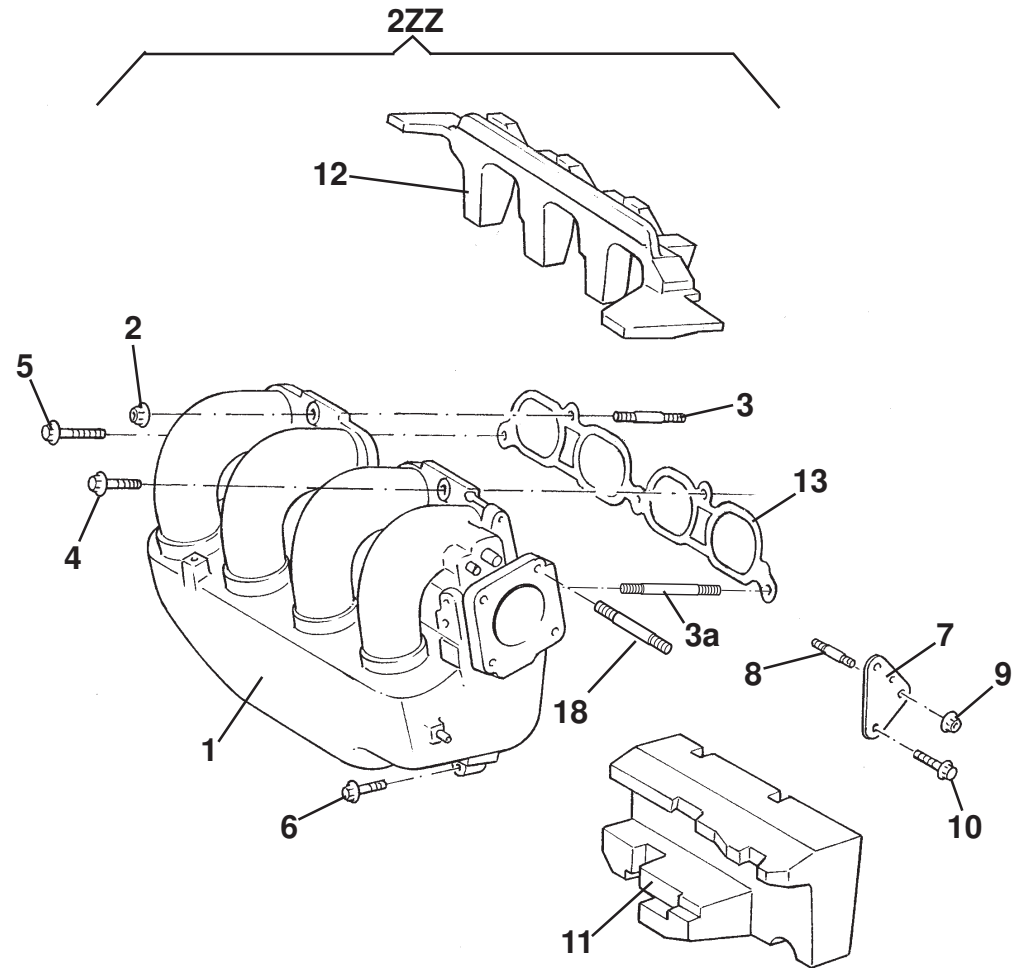
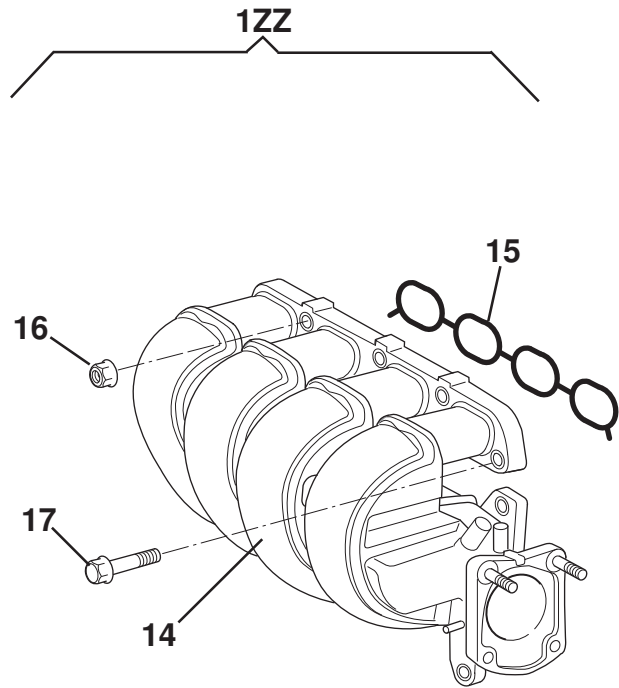
ELISE

Function Code: 42.05, Page: 1

Updated 1st August 2014

Function Code 42.05 Fuel Injection System

<u>Dep</u>	<u>Part Description</u>	<u>Remarks</u>	<u>Option</u>	<u>Part Number</u>	<u>Qty</u>
11	Clamp			A120E6368S	1



ELISE

42.07

Updated 1st August 2014

Service Parts List **ELISE**



Function Code 42.07 Inlet Manifold, Plenum & gaskets

<u>Dep</u>	<u>Part Description</u>	<u>Remarks</u>	<u>Option</u>	<u>Part Number</u>	<u>Qty</u>
01	Inlet Manifold/Plenum, alloy, 2ZZ	Throttle body, cable control	Prior to '06 MY	A120E6321S	1
01a	Inlet Manifold/Plenum, alloy, 2ZZ	Throttle body, electronic control	'06 MY	A120E6490S	1
02	Flange Nut, manifold to head		111R, Elise R, Exige	A120E6327S	2
03	Stud, manifold to head, upper, short		111R, Elise R, Exige	A120E6120S	1
03a	Stud, manifold to head lower, long		111R, Elise R, Exige	A120E6114S	1
04	Bolt, manifold to head, short		111R, Elise R, Exige	A120E6324S	2
05	Bolt, manifold to head, long		111R, Elise R, Exige	A120E6325S	1
06	Bolt, manifold to head, lower		111R, Elise R, Exige	A120E6326S	1
07	Stay, inlet manifold		111R, Elise R, Exige	A120E6339S	1
08	Stud, stay to head		111R, Elise R, Exige	A120E6329S	1
09	Nut, flg., stay to head		111R, Elise R, Exige	A120E6340S	1
10	Bolt, flg. hd., stay to manifold		111R, Elise R, Exige	A120E6040S	2
11	Insulator, manifold lower		111R, Elise R, Exige	A120E6322S	1
12	Insulator, manifold upper		111R, Elise R, Exige	A120E6323S	1
13	Gasket, inlet manifold, 2ZZ		111R, Elise R, Exige	A120E6342S	1
14	Inlet Manifold/Plenum, plastic, 1ZZ		Elise S, '07 MY	A131E6124S	1
15	Gasket, inlet manifold		Elise S, '07 MY	A131E6163S	1
16	Flange Nut, manifold to head		Elise S, '07 MY	A120E6327S	2

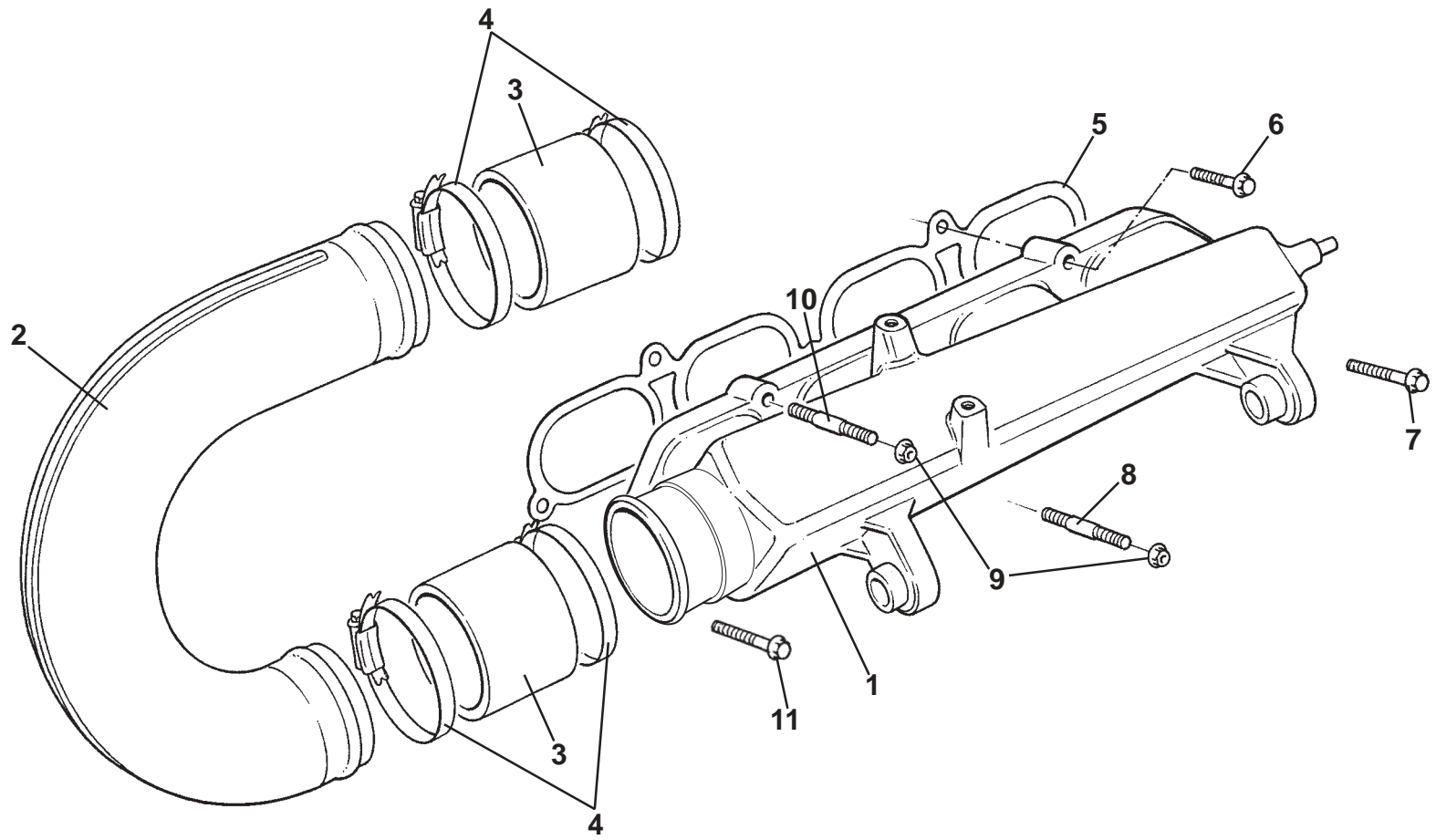
ELISE

Function Code: 42.07, Page: 1

Updated 1st August 2014

Function Code 42.07 Inlet Manifold, Plenum & gaskets

<u>Dep</u>	<u>Part Description</u>	<u>Remarks</u>	<u>Option</u>	<u>Part Number</u>	<u>Qty</u>
17	Bolt, flg. hd., manifold to head		Elise S, '07 MY	A131E6182S	5
18	Stud, throttle Inlet Manifold			A120E6328S	1



EXIGE
42.07d

Service Parts List

EXIGE



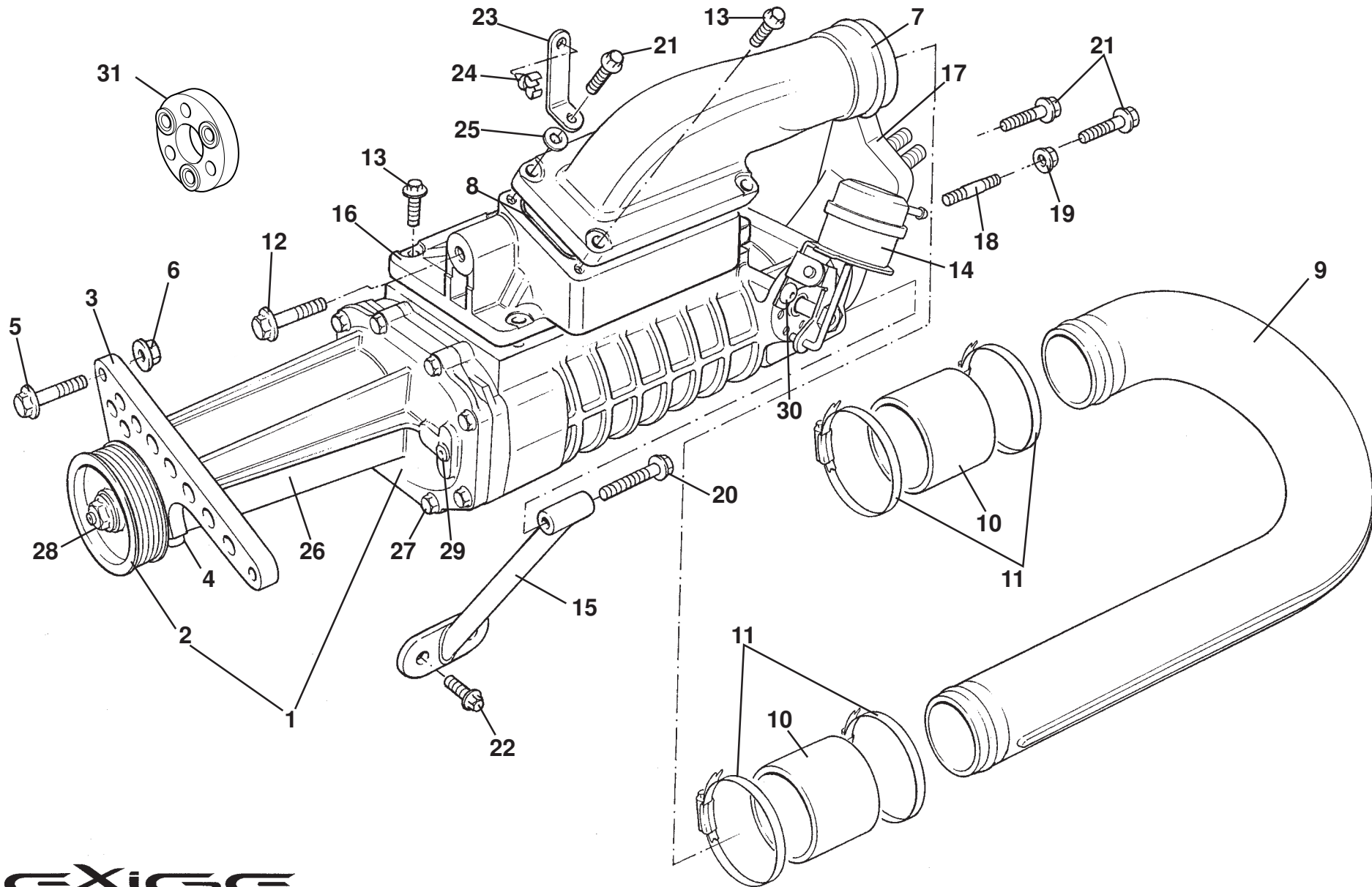
Function Code 42.07d Inlet Manifold, Supercharged Engine

<u>Dep</u>	<u>Part Description</u>	<u>Remarks</u>	<u>Option</u>	<u>Part Number</u>	<u>Qty</u>
01	Inlet Manifold			A128E0012F	1
02	Pipe, intercooler to inlet manifold			A128E0011F	1
02a	Pipe, lightweight, intercooler to inlet manifold		Optional	A128E0042F	1
03	Hose, pipe to intercooler/manifold			A128L0013F	2
04	Hose Clip, 60-80mm, hose fixing			A075L6044F	4
05	Gasket, inlet manifold			A120E6342S	1
06	Bolt, M8, flg. hex. hd., manifold to head, short			A120E6324S	1
07	Bolt, M8, flg. hd., manifold to head, long			A120E6325S	1
08	Stud, M8 x 25, lower centre fixing			A128W8056F	1
09	Nut, flange, M8, lower centre/upper left			A111W3154F	2
10	Stud, M8, manifold to head, upper left			A120E6120S	1
11	Bolt, M8 x 25, flg. hd., manifold to head			A116W5238F	1

EXIGE

Function Code: 42.07d, Page: 1

Updated 3rd February 2014



EXIGE
42.09

Updated 16th July 2012

Service Parts List



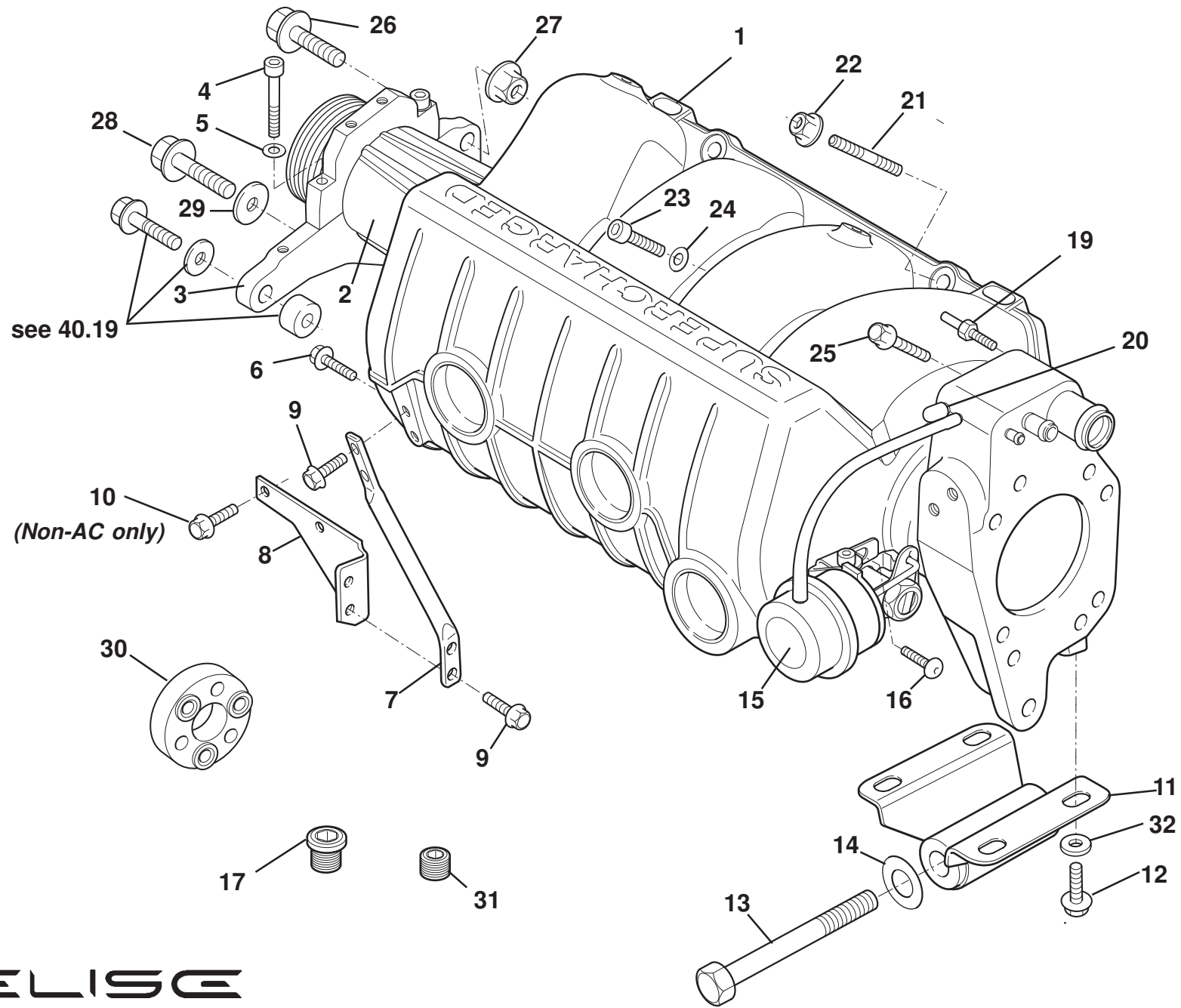
Function Code 42.09 Supercharger

<u>Dep</u>	<u>Part Description</u>	<u>Remarks</u>	<u>Option</u>	<u>Part Number</u>	<u>Qty</u>
01	Supercharger Assembly	Includes pulley		A128E0019F	1
02	Pulley, supercharger			A128E6011S	1
02a	Woodruff Key, pulley to shaft	Not illustrated		A128E6013S	1
03	Mounting Bracket, nose			A128E0017F	1
04	Clamp Bolt, M8 x 20, cap hd.			A111W7130F	1
05	Bolt, M10 x 50, flg. hex. hd., bracket mounting			A128W2218F	1
06	Nut, flange, M10, bracket mounting			A111W3151F	1
07	Outlet Manifold Port, upper			A128E0005F	1
08	'O' Ring, outlet port upper sealing			A128E6002F	1
08a	'O' Ring, outlet port lower sealing	Not illustrated		A128E6001F	1
08b	'O' Ring, inlet manifold sealing	Not illustrated		A128E6000F	1
09	Pipe, supercharger to intercooler	Cast aluminium		A128E0008F	1
09a	Pipe, lightweight, supercharger to intercooler	Formed aluminium black finish	Optional	A128E0041F	1
10	Hose, pipe to intercooler/supercharger manifold			A128L0013F	2
11	Hose Clip, 60-80mm, hose fixing			A075L6044F	4
12	Bolt, M10 x 50, flg. hex. hd., supercharger mounting			A128W2218F	2
13	Bolt, M8 x 25, flg., hex. hd.			A116W5238F	8
14	Bypass Actuator Valve, vacuum			A128E6017S	1



Function Code 42.09 Supercharger

<u>Dep</u>	<u>Part Description</u>	<u>Remarks</u>	<u>Option</u>	<u>Part Number</u>	<u>Qty</u>
14a	Bypass Actuator Orifice	Not illustrated		A028E6018S	1
15	Mounting Stay, supercharger support			A128E0021F	1
16	Outlet Manifold Port, lower			A128E0009F	1
17	Inlet Manifold, 'swan neck', supercharger			A128E0003F	1
18	Stud, M8 x 25, inlet fixing			A128W8056F	1
19	Nut, flange, M8, inlet fixing			A111W3154F	1
20	Bolt, M8 x 55 x 1.25, flg. hex. hd., inlet/stay fixing			A128W2217F	1
21	Bolt, M8 x 30 x 1.25, flg. hex. hd., inlet/outlet fix.			A116W5245F	2
22	Bolt, M8 x 25, flg.hd., stay to transmission	Replaces slave cylinder fixings		A116W5238F	2
23	Bracket, clip support	Order from Lotus Sport		CLS3L0008F	2
24	Clip, double, fuel pipe retaining, fir tree fix.			A116W6727F	2
25	Washer, flat, M8 x 20 x 2.5, bracket spacing			A079W4019F	2
26	Nose Assembly			A128E6020S	1
27	Bolt, nose to supercharger			A128E6021S	8
28	Locknut, pulley retention			A128E6012S	1
29	Plug, oil filler			A128E6015S	1
30	Bolt, bypass actuator retention			A128E6019S	2
31	Moly-gard Coupler, nose to supercharger			A128E6016S	1
32	Oil Fill Kit	Not illustrated includes oil & plug		A128E6014S	1



ELISE
42.09a

Updated 16th January 2013

Service Parts List **ELISE**



Function Code 42.09a Supercharger, Elise SC (Exige Aftersales Kit)

<u>Dep</u>	<u>Part Description</u>	<u>Remarks</u>	<u>Option</u>	<u>Part Number</u>	<u>Qty</u>
01	Supercharger Assembly	Incl. by-pass valve, pulley, fixings		A120E0041F	1
02	Nose Assembly	Includes pulley		A120E6512S	1
03	Mount, supercharger front			A120E0045F	1
04	Screw, M6 x 45, cap hd., mount clamping			A127W7230F	2
05	Washer, flat, M6 x 12, mount clamping			A075W4013Z	2
06	Bolt, nose to supercharger			A128E6021S	8
07	Stay, manifold support			B120E0059F	1
08	Bracket, stay to engine			B120E0060F	1
09	Screw, M8 x 20, flg. hd., stay to bracket & supercharger			A120W5278F	4
10	Screw, M8 x 20, flg. hd., bracket to engine	For fixings, AC cars, see 40.23	Non-AC cars	A120W5278F	2
11	Bracket, lower support			A120E0044F	1
12	Screw, M8 x 16, flg. hd., bracket to supercharger			A117W2202F	4
13	Bolt, M10 x 60, hex. hd., bracket to transmission			A116W2194F	1
14	Washer, flat, bracket to transmission			A075W4024Z	1
15	Bypass Actuator Valve, vacuum			A120E6513S	1
16	Bolt, button hd., bypass actuator retention			A128E6019S	2
17	Plug, oil filler			A128E6015S	1
18	Oil Fill Kit	Not illustrated includes oil & plug		A128E6014S	1

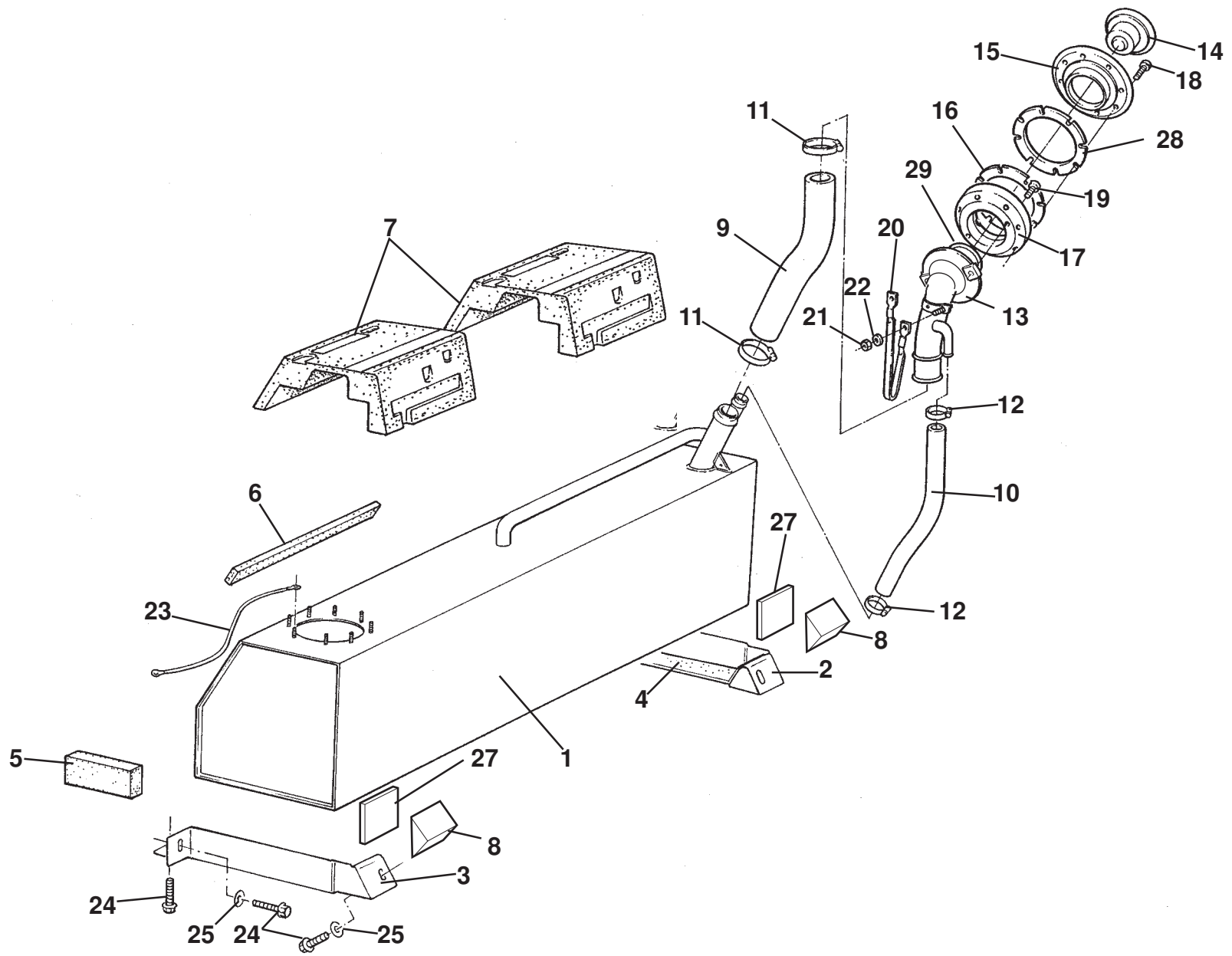
ELISE

Function Code: 42.09a, Page: 1

Updated 2nd February 2015

Function Code 42.09a Supercharger, Elise SC (Exige Aftersales Kit)

<u>Dep</u>	<u>Part Description</u>	<u>Remarks</u>	<u>Option</u>	<u>Part Number</u>	<u>Qty</u>
19	Connector, 1/8" BSP, purge port		Euro	A120E6505F	1
20	Blanking Plug, rubber, unused purge port		Euro	A120E6504F	1
21	Stud, M8 x 25, supercharger to cylinder head			A128W8056F	2
22	Nut M8, hex flg, supercharger to cylinder head			A111W3154F	2
23	Screw M8 x 30, cap hd, supercharger to cylinder head	Centre fixing		A117W7215F	1
24	Washer M8, supercharger to cylinder head			A117W4175F	1
25	Bolt M8 x 30 hex flg, supercharger to cylinder head			A116W5245F	2
26	Bolt M10 x 35, hex flg, mount to engine			A116W5247F	1
27	Nut M10, hex flg, mount to engine			A111W3151F	1
28	Bolt M10 x 60, hex flg, mount to engine			A116W2194F	1
29	Washer, Bolt M10 x 35, mount to engine			A075W4024Z	1
30	Moly-gard Coupler, nose to supercharger			A128E6016S	1
31	Blanking Plug, 1/8" BSP, S/C manifold		Federal	A127W6889F	1
32	Washer M8, bracket, lower support			A117W4175F	4



ELISE
44.01

Updated 21st November 2011

Service Parts List **ELISE**



Function Code 44.01 Fuel Tanks, Filler

<u>Dep</u>	<u>Part Description</u>	<u>Remarks</u>	<u>Option</u>	<u>Part Number</u>	<u>Qty</u>
01	Fuel Tank			A120L0004H	1
02	Bracket, fuel tank support, RH			B120L0040F	1
03	Bracket, fuel tank support, LH			B120L0041F	1
04	Isolating Strip, tank brackets			A120L0047F	2
05	Foam Support, tank sides		A120L0028F R/B	B120L0028F	4
06	Restraint Foam			A120L0053F	4
07	Foam Block, fuel tank retention, upper			B120L0044F	2
08	Rear Restraint, tank mounting			A120L0045F	2
09	Hose, fuel filler			A117L0060F	1
10	Hose, fuel breather			B117L0062F	1
11	Hose Clip, filler hose			A117W6684F	2
12	Hose Clip, breather hose		A117W6706F R/B	A079K6018F	2
13	Fuel Filler Neck			B120L0048F	1
14	Fuel Cap, including lock barrel & Keys, black body	Master keys without handle, Keys are L-code, lock set required for D-code*		C117L0025J	1
14a	Fuel Cap, less lock barrel, black body	Cap only, order with vehicle lock set, or item 14b		A138L0163F	1
14b	Lock Barrel & Keys, for the fuel cap	Master keys without handle, Keys are L-code, lock set required for D-code*		A117L6050S	1

ELISE

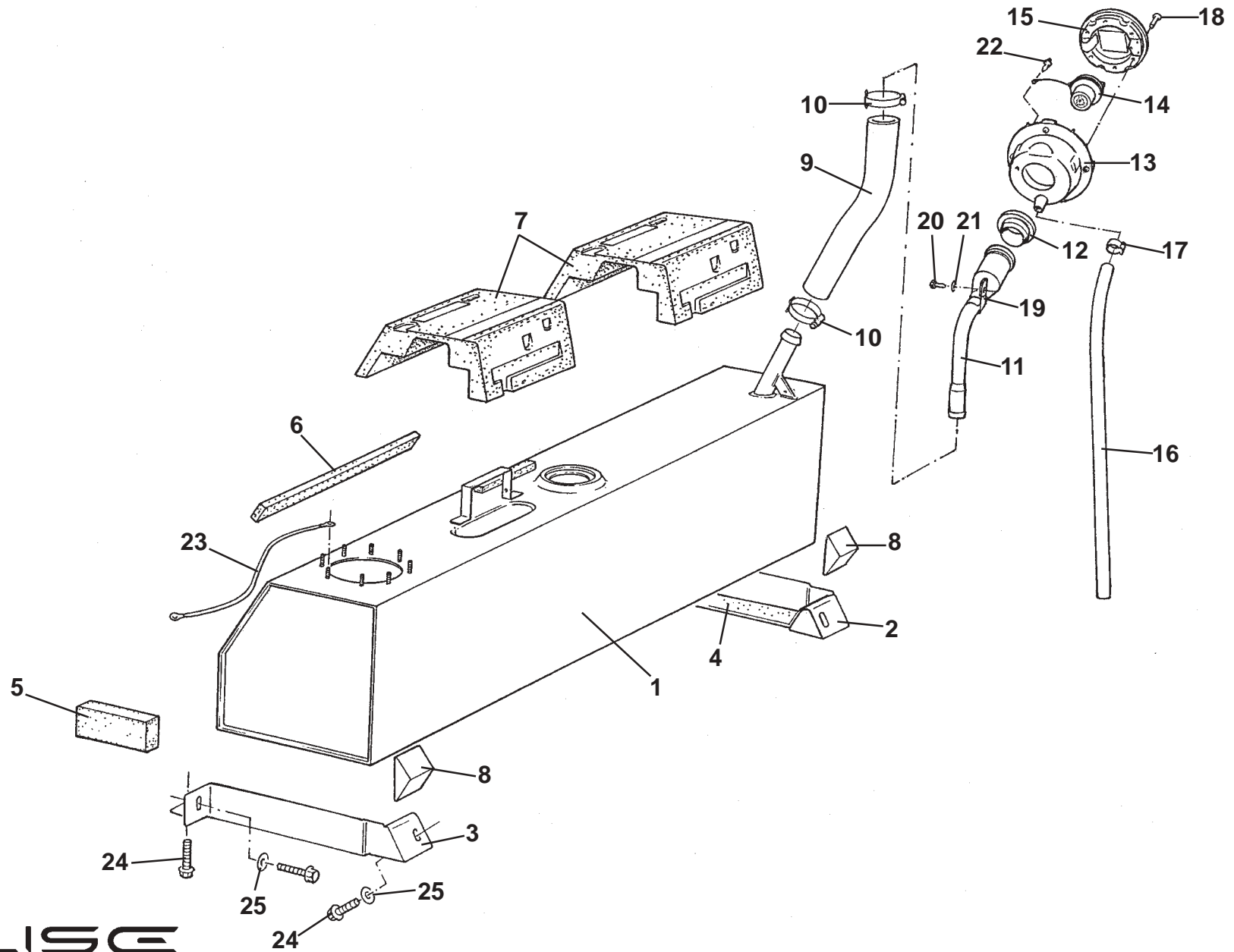
Function Code: 44.01, Page: 1

Updated 3rd March 2017

Function Code 44.01 Fuel Tanks, Filler

<u>Dep</u>	<u>Part Description</u>	<u>Remarks</u>	<u>Option</u>	<u>Part Number</u>	<u>Qty</u>
15	Finisher Ring, cap to clamshell			B117L0024F	1
15a	Finisher Ring, cap to clamshell, black		Optional	A138L0159S	1
16	Gasket, spacer ring to clamshell			A117L0027F	1
17	Spacer Ring, filler to clamshell	Includes gasket item 16		A117L0067F	1
18	Screw, M5 x 15, skt, cap hd., filler neck to clamshell			A117L6033F	8
18a	Screw, M5 x 25 csk skt hd S/S, black		Optional	A128W5004F	8
19	Screw, M5 x 10, skt. cap hd., S/S, ring to filler neck			A117L6032F	2
20	Earth Braid, filler neck			A079M4094F	1
21	Nyloc Nut, M5, braid to filler neck			A075W3008Z	2
22	Washer, flat, M5 x 10 x 0.8, S/S, braid to filler neck			A075W1039Z	2
23	Earth Lead, fuel tank		A120M0017F R/B	A120M0030H	1
24	Screw, M8 x 20, hex. flg. hd., brackets to chassis			A132W5005F	6
25	Washer, flat, M8 x 20 x 2.5, brackets to chassis			A079W4019F	4
26	Foam Pad, tank bay aperture	Bonded to access panel		A120L0056F	1
27	Support Pad, fuel tank front		A120L0058F R/B	B120L0058F	1
28	Gasket, finisher ring to clamshell			B117L0026F	1
29	'O' Ring, finisher ring			A117L6005F	1

*NOTE: For information on D & L
code keys see LSL483g



ELISE
44.01d

Service Parts List **ELISE**



Function Code 44.01d Fuel Tanks, Filler, USA/Canada

<u>Dep</u>	<u>Part Description</u>	<u>Remarks</u>	<u>Option</u>	<u>Part Number</u>	<u>Qty</u>
01	Fuel Tank, federal			A121L0020H	1
01a	Fuel Tank, federal, LEV 2	Integral FLVV valve/roll-over valve '06 MY		C121L0054H	1
02	Bracket, fuel tank support, RH			A120L0040F	1
03	Bracket, fuel tank support, LH			A120L0041F	1
04	Isolating strip, tank brackets			A120L0047F	1
05	Foam Support, tank sides	Also charcoal canister, Exige S		A120L0028F	4
06	Restraint Foam			A120L0053F	4
07	Foam Block, fuel tank retention, upper			A120L0044F	2
08	Rear Restraint, tank mounting			A120L0045F	2
09	Hose, fuel filler	Includes 1 hose clip		A121L0009H	1
10	Hose Clip, fuel filler hose	1 off with item 9, 2 off hose to tank	A121L0010H R/B	A120W6784F	3
11	Fuel Filler Neck, federal	Includes grommet, item 12		C121L0007F	1
12	Grommet, filler neck to clamshell			A121L0012H	1
13	Bowl Assembly, fuel filler			A121B0048F	1
14	Cap, fuel filler	Includes retaining strap	A121L6004F R/B	A132L6032F	1
15	Flap Assembly, fuel filler		C121B0047F R/B	B121B0087F	1
15a	Flap Assembly, fuel filler, gold	USA only, 50 off	72D limited edition	A121B0142F	1
15b	Rubber Buffer, flap to ring	Not illustrated		A121B6006S	1

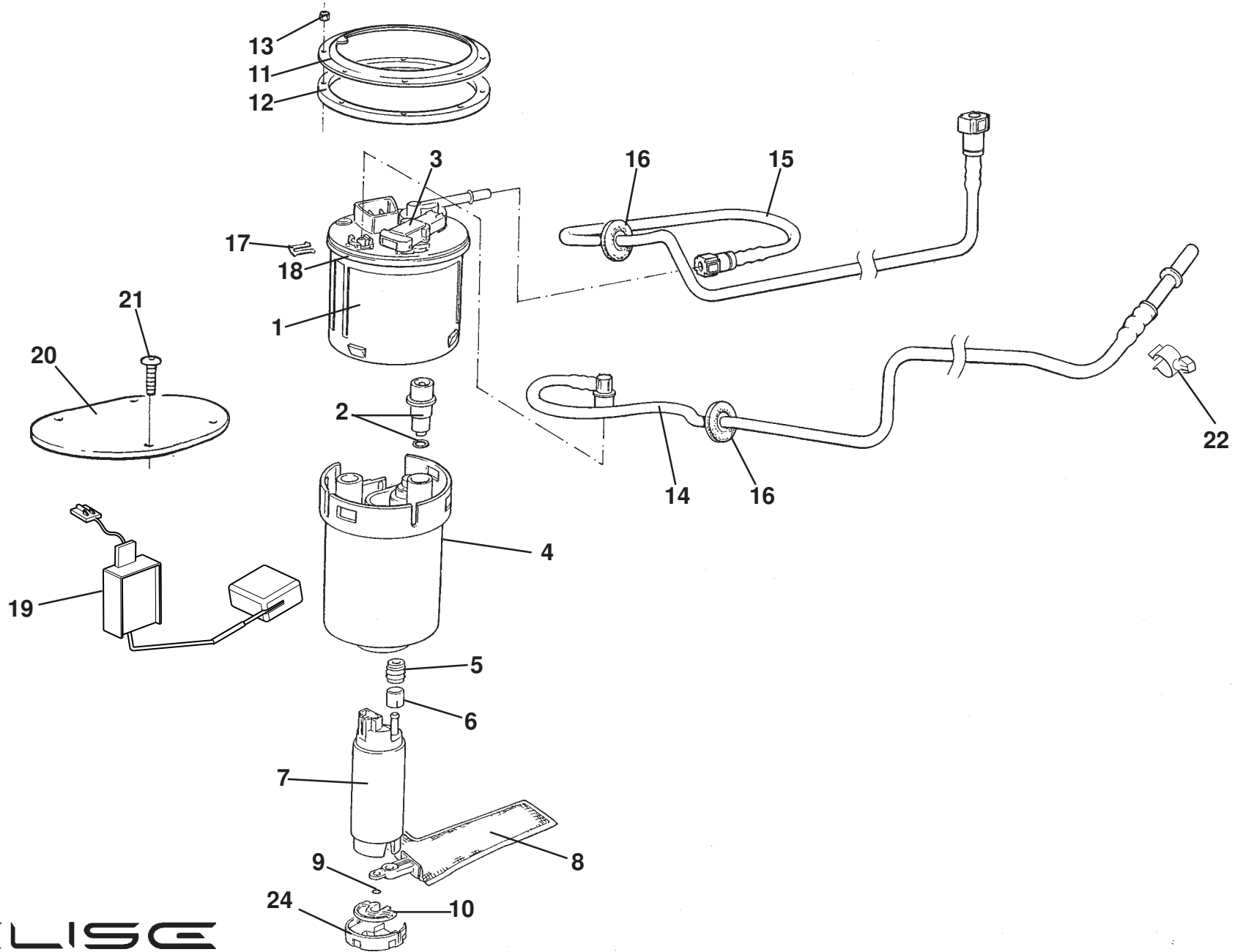
ELISE

Function Code: 44.01d, Page: 1

Updated 5th October 2011

Function Code 44.01d Fuel Tanks, Filler, USA/Canada

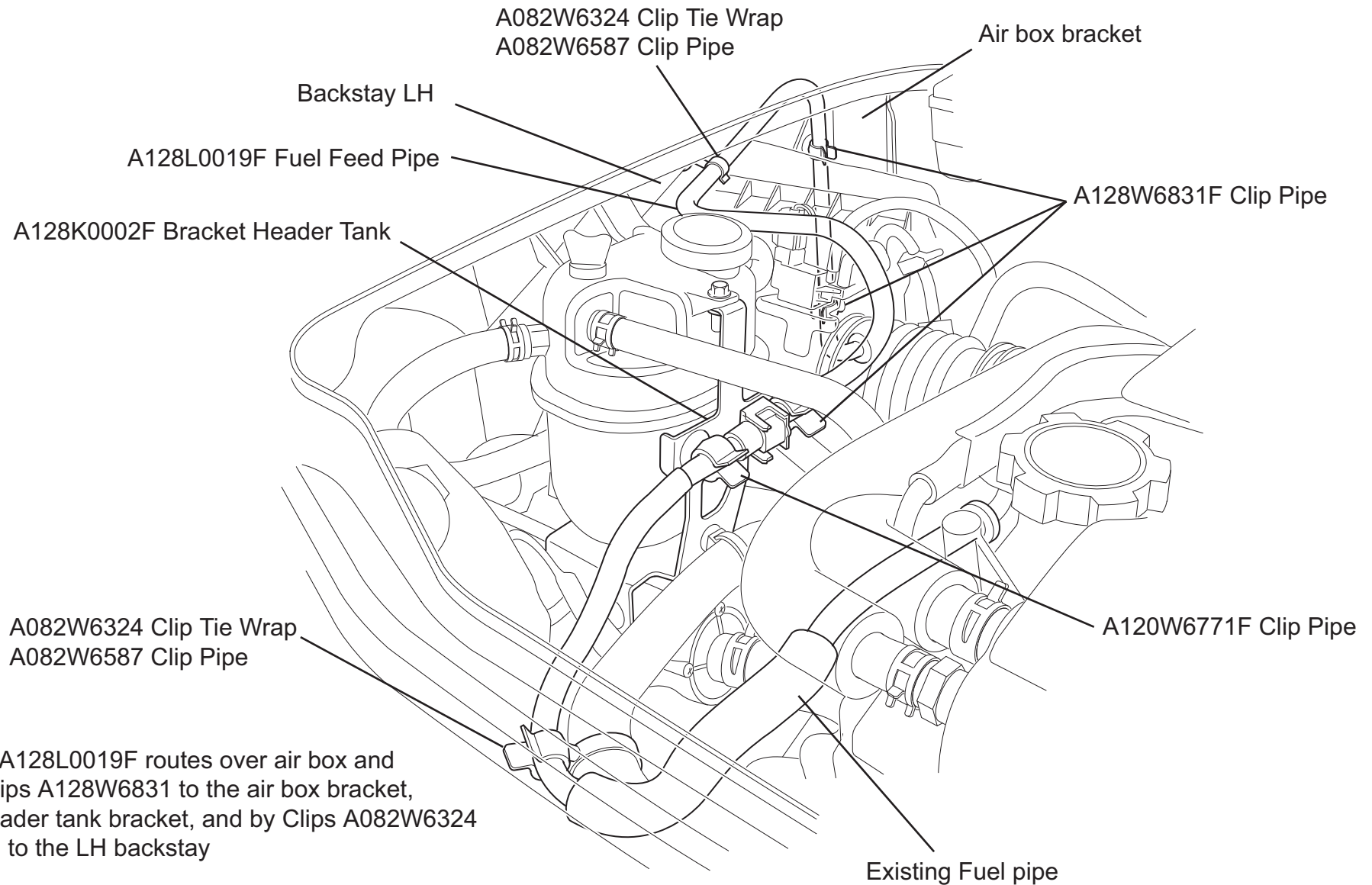
<u>Dep</u>	<u>Part Description</u>	<u>Remarks</u>	<u>Option</u>	<u>Part Number</u>	<u>Qty</u>
16	Drain Tube, fuel filler			A121B0020F	1
17	Hose Clamp, drain tube to bowl			A082L6223F	1
18	Screw, M5 x 25, csk. skt. hd. S/S, flap to bowl			A121W7214F	6
19	'P' Clamp, neck to backstay	'B' level backstay		A121L0011H	1
19a	Clip, Normaflex, neck to backstay	'C' level backstay		A121W6785F	1
20	Screw, M8 x 25, hex. hd., clamp to backstay	For clamp item 19		A111W1156F	1
20a	Bolt, M6 x 20, flg hd., clip to backstay	For clip item 19a		A117W2203F	1
21	Washer, shakeproof, M8, clamp to backstay	For clamp item 19		A075W4048Z	1
21a	Washer, flat, M6 x 25 x 1.4, S/S, clip to backstay	For clip item 19a		B075W4017Z	1
22	Plastic Fastener, cap retaining strap to bowl			A100W6479F	1
23	Earth Lead, fuel tank		A120M0017F R/B	A120M0030H	1
24	Screw, M8 x 20, hex. flg. hd., brackets to chassis			A120W5278F	6
25	Washer, flat, M8 x 20 x 2.5, brackets to chassis			A079W4019F	4



ELISE
44.03

Updated 2nd May 2017

Fuel Feed Pipe A128L0019F supplied routes over air box Fitting and required parts for cars where routing was under air box



Fitting:

Fuel Feed Pipe A128L0019F routes over air box and is attached by Clips A128W6831 to the air box bracket, bulkhead and header tank bracket, and by Clips A082W6324 and A082W6587 to the LH backstay

Existing Header Tank bracket must be replaced by A128K002F

Existing Fuel Pipe from fuel rail is twisted to fit new Fuel Feed Pipe note orientation of connection, and attached to header tank bracket by Clip A120W6771F and by Clips A082W6324 and A082W6587 to the heater return hose

Service Parts List **ELISE**



Function Code 44.03 Fuel Pump; Filter, Pipes

<u>Dep</u>	<u>Part Description</u>	<u>Remarks</u>	<u>Option</u>	<u>Part Number</u>	<u>Qty</u>
01	Pipe Plate Assembly			A120L6008S	1
02	Fuel Pressure Regulator	Includes 'O' ring		A120E6413S	1
03	Sensor, vapour pressure			A120L6014S	1
04	Filter, tank			A120L6007S	1
05	Seal, pump to filter			A120L6005S	1
06	Spacer, seal to filter			A120L6004S	1
07	Fuel Pump			A120L6002S	1
07a	Fuel Pump, Denso high flow	If upgrading from standard pump order item 10a	Exige Cup 260, Exige Club Racer	A127L6002F	1
08	Filter, suction, pump			A120L6001S	1
09	Clip, filter to pump			A120L6003S	1
10	Rubber Cushion, pump assy. Supporting			A120L6006S	1
10a	Retainer Cap, fuel pump	For high flow pump, item 07a	Exige Cup 260	A127L6001K	1
11	Clamp Ring, fuel pump			A120L0013H	1
12	Spacer Ring, fuel pump			A121L0031H	1
13	Nyloc Nut, M6, pump to tank			A120L0014H	8
14	Pipe, fuel feed, 2ZZ, 1ZZ	First use Exige S*	A120L0001F R/B	A128L0019F	1
15	Pipe, R/O valve quick-connect to tank		Euro cars	A120L0043F	1
16	Grommet, pipes through tank bay			A117L6027H	2

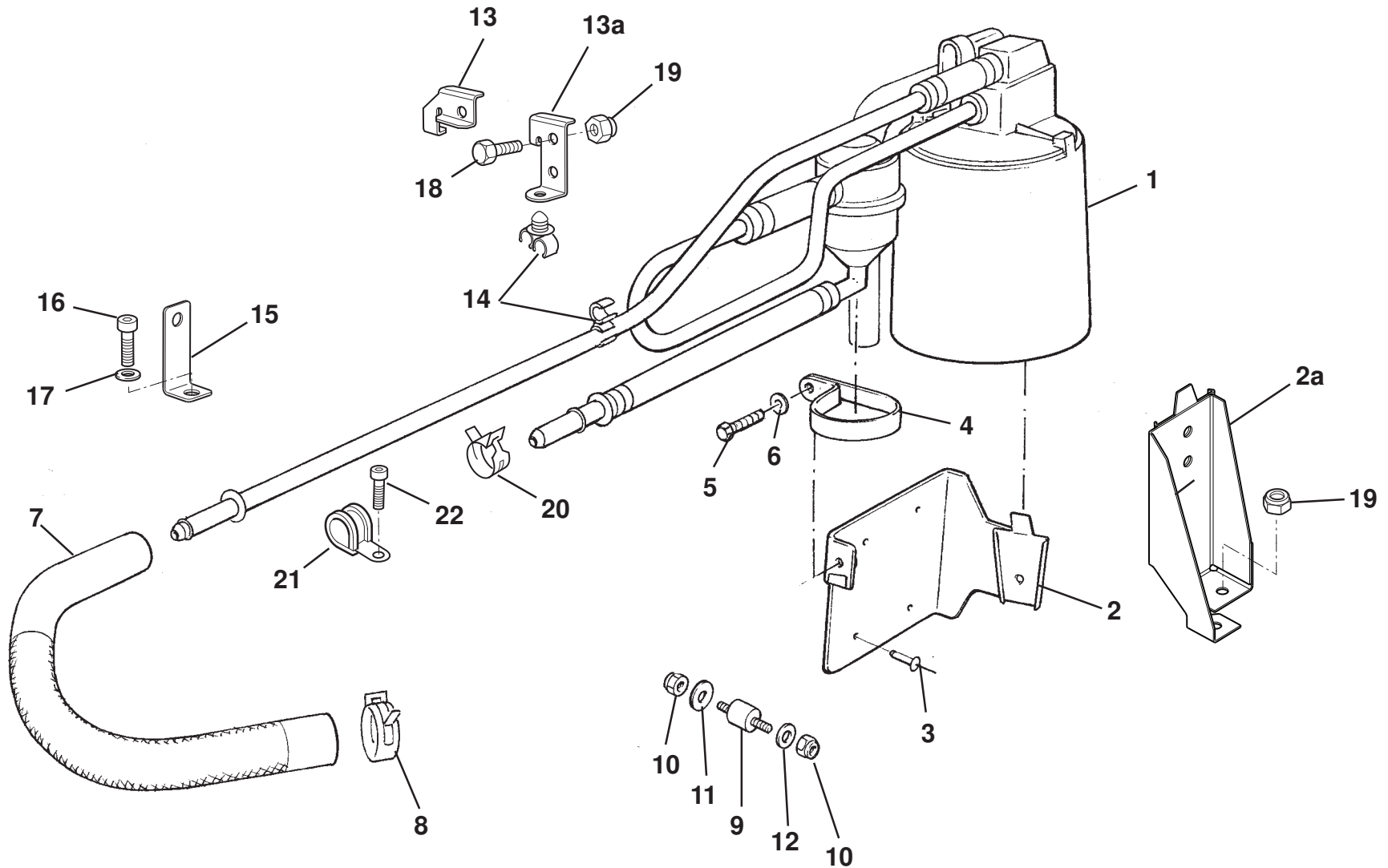
ELISE

Function Code: 44.03, Page: 1

Updated 3rd January 2017

Function Code 44.03 Fuel Pump; Filter, Pipes

<u>Dep</u>	<u>Part Description</u>	<u>Remarks</u>	<u>Option</u>	<u>Part Number</u>	<u>Qty</u>
17	Clip, pipe retaining	Also sensor retaining		A120L6012S	2
18	Gasket, pump to tank			A120L6009S	1
18a	Gasket, pump to tank, LEV 2		'06 MY	A121L0076F	1
19	Sender Unit, fuel level			A120L0020S	1
20	Access Panel, fuel pump connections			A120L0046F	1
21	Screw, panel to chassis			A111W7117F	4
22	Clip Pipe			A128W6831F	3
23	Harness Fuel Pump			A120L0076H	1
24	Cap, fuel pump module base			A120L6010S	1
		*Pipe now routes over top of airbox see LSL611 for cars that route under airbox			



ELISE
44.05

Updated 3rd March 2017

Service Parts List **ELISE**



Function Code 44.05 Charcoal Canister & Evaporative Loss System.

<u>Dep</u>	<u>Part Description</u>	<u>Remarks</u>	<u>Option</u>	<u>Part Number</u>	<u>Qty</u>
01	Charcoal Canister Assembly	Includes pipes, roll-over valve, Bulkhead mounted		E120L0032F	1
01a	Charcoal Canister Assembly	Includes pipes, roll-over valve, Chassis Mounted		A128L0001F	1
02	Bracket, canister mounting	Bulkhead mounted		B120L0050F	1
02a	Bracket, canister mounting	Chassis Mounted		A128L0006F	1
03	Pop Rivet, bracket to bulkhead	Early Bracket		A089W6297F	4
04	Clamp, roll-over valve			A120L0052F	1
05	Screw, M5 x 16, hex. hd., clamp to bracket			A075W1085F	1
05a	Screw M6 x 12 hex hd, clamp to bracket		Elise Exige S/C*	A075W1027Z	1
06	Washer, M5, shakeproof			A075W4045Z	1
07	Hose, fuel vapour feed	Also on federal system	Common	A120E6366S	1
07a	Hose, fuel vapour feed, 1ZZ		Elise S, '07 MY	A131L0002F	1
08	Hose Clip, fuel vapour hose to manifold	Also on federal system	Common	A120E6462S	1
09	Bumper, bracket to bulkhead	Noise insulation		A116L6015F	3
10	Nyloc Nut, M6 thin, bracket fixing			A907E6285F	6
11	Washer, flat, M6 x 18 x 1.0, bumper to bulkhead			B082W4018F	3
12	Washer, flat, M6 x 12 x 1.6, bumper to bracket			A100W4127F	3
13	Bracket, anti-rotation, roll over valve	Valve to RH backstay	Exige S	A128L0015F	1

ELISE

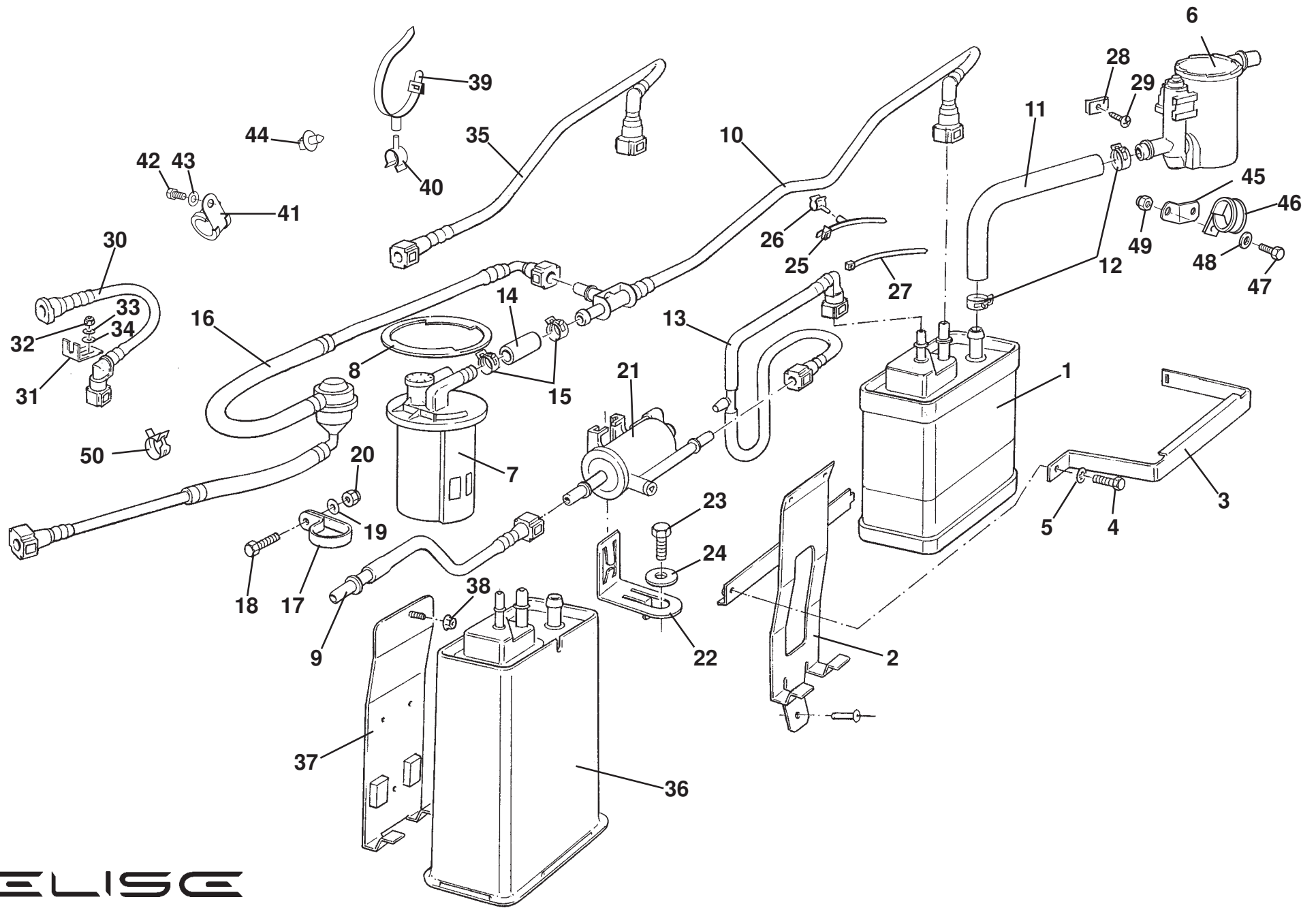
Function Code: 44.05, Page: 1

Updated 3rd March 2017

Function Code 44.05 Charcoal Canister & Evaporative Loss System.

<u>Dep</u>	<u>Part Description</u>	<u>Remarks</u>	<u>Option</u>	<u>Part Number</u>	<u>Qty</u>
13a	Bracket, anti-rotation, roll over valve		Elise Exige S/C*	A120L0059F	1
14	Clip, fuel pipe,		Elise Exige S/C*	A116W6727F	2
15	Bracket, fuel pipe	Fitted to supercharger nose bracket	Elise Exige S/C*	A128L0009F	1
16	Bolt M6 x 10 skt hd, bracket to supercharger nose bracket		Elise Exige S/C*	A111W7151F	1
17	Washer M6, bracket to supercharger nose bracket		Elise Exige S/C*	A075W4013Z	1
18	Bolt M6 x 12, bracket to backstay		Elise Exige S/C*	A075W1027Z	2
19	Nut Nyloc M6, bracket to backstay		Elise Exige S/C*	A907E6285F	3
20	Clip, purge pipe manifold		Elise Exige S/C*	A116K6017F	1
21	'P' Clip, evap. Pipe		Elise Exige S/C*	A111W6595F	2
22	Bolt M6 x 10, cilp evap pipe		Elise Exige S/C*	A111W7151F	2

*Also Exige fitted with approved
aftersales supercharger kit



ELISE
44.05c

Updated 24th January 2011

Service Parts List **ELISE**



Function Code 44.05c Charcoal Canister & Evap. Loss System, USA/Canada

<u>Dep</u>	<u>Part Description</u>	<u>Remarks</u>	<u>Option</u>	<u>Part Number</u>	<u>Qty</u>
01	Evaporative Canister, charcoal			A121L0002F	1
02	Bracket, canister mounting			A121L0003F	1
03	Bracket Clamping, canister			B121L0038F	1
04	Screw, M6 x 16, hex. hd., clamp to bracket			A075W1036Z	1
05	Washer, M6, shakeproof, clamp to bracket			A075W4046Z	1
06	Canister Close Valve			A121L0004F	1
07	Fill Level Vent Valve			A082L6229F	1
08	Plate, FLVV valve			A121L0024H	1
09	Pipe, purge valve to inlet manifold	For hose to manifold see 44.05		B121L0013F	1
09a	Pipe, purge valve to inlet manifold, S/C		Exige S, Elise SC	A128L0022F	1
10	Pipe Assembly, FLVV valve to canister			A121L0015F	1
10a	Pipe Assembly, FLVV valve to canister, LEV 2		'06 MY	A121L0058F	1
10b	Pipe Assembly, FLVV valve to canister, S/C		Exige S, Elise SC	A128L0017F	1
11	Hose, close valve to canister			B121L0006F	1
11a	Hose, close valve to canister, LEV 2		'06 MY	A121L0051F	1
12	Hose Clamp, stepless, hose, close valve to canister			A121W6774F	2
13	Pipe Assembly, canister to purge solenoid valve			A121L0036F	1
13a	Pipe Assembly, canister to purge solenoid valve, S/C	With service port	Exige S, Elise SC	A128L0018F	1

ELISE

Function Code: 44.05c, Page: 1

Updated 24th January 2011

Function Code 44.05c Charcoal Canister & Evap. Loss System, USA/Canada

Dep	Part Description	Remarks	Option	Part Number	Qty
14	Hose, FLVV to 'T' piece			B121L0021F	1
15	Hose Clamp, stepless, hose, FLVV to 'T' piece			A121W6773F	2
16	Roll-over Valve Pipes & Hoses Assembly	Includes clamp, item 17		B121L0040F	1
17	Clamp, roll-over valve to fuel tank			A120L0052F	1
18	Screw, M5 x 16, hex. hd., clamp to tank			A075W1085Z	1
19	Washer, M5, shakeproof, clamp to tank			A075W4045Z	1
20	Nyloc Nut, M5, clamp to tank			A075W3008Z	1
21	Purge Solenoid Valve			A082L6225F	1
22	Bracket, purge valve mounting			C121L0023F	1
22a	Bracket, purge valve mounting, S/C Exige		Exige S	A128L0020F	1
22b	Bracket, purge valve mounting, S/C Elise		Elise SC	A121E0017F	1
23	Screw, M6 x 16, hex. hd., bracket to manifold boss			A075W1028Z	1
23a	Screw, M6 x 10, hex. hd., bracket to supercharger		Elise SC	A075W1026Z	2
24	Washer, flat, M6 x 20 x 2.5, bracket to manifold boss			A075W4016Z	1
25	Cable Tie, FLVV pipe to filler hose			A116W6691F	1
26	Swivel Clip, FLVV pipe to filler hose			A082W6587F	1
27	Cable Tie, FLVV pipe to filler hose	Replaces items 25 & 26		A075W6038Z	1
28	Spirenut, No. 6, close valve to bracket			A075W6014Z	1
29	Screw, No. 6 x 0.25", pan hd. pozi., close valve to bracket			A121W5283F	1
30	Pipe Assembly, pump to tank, LEV 2		'06 MY	A121L0060F	1
31	Bracket, connector retaining		'06 MY	A121L0074F	1

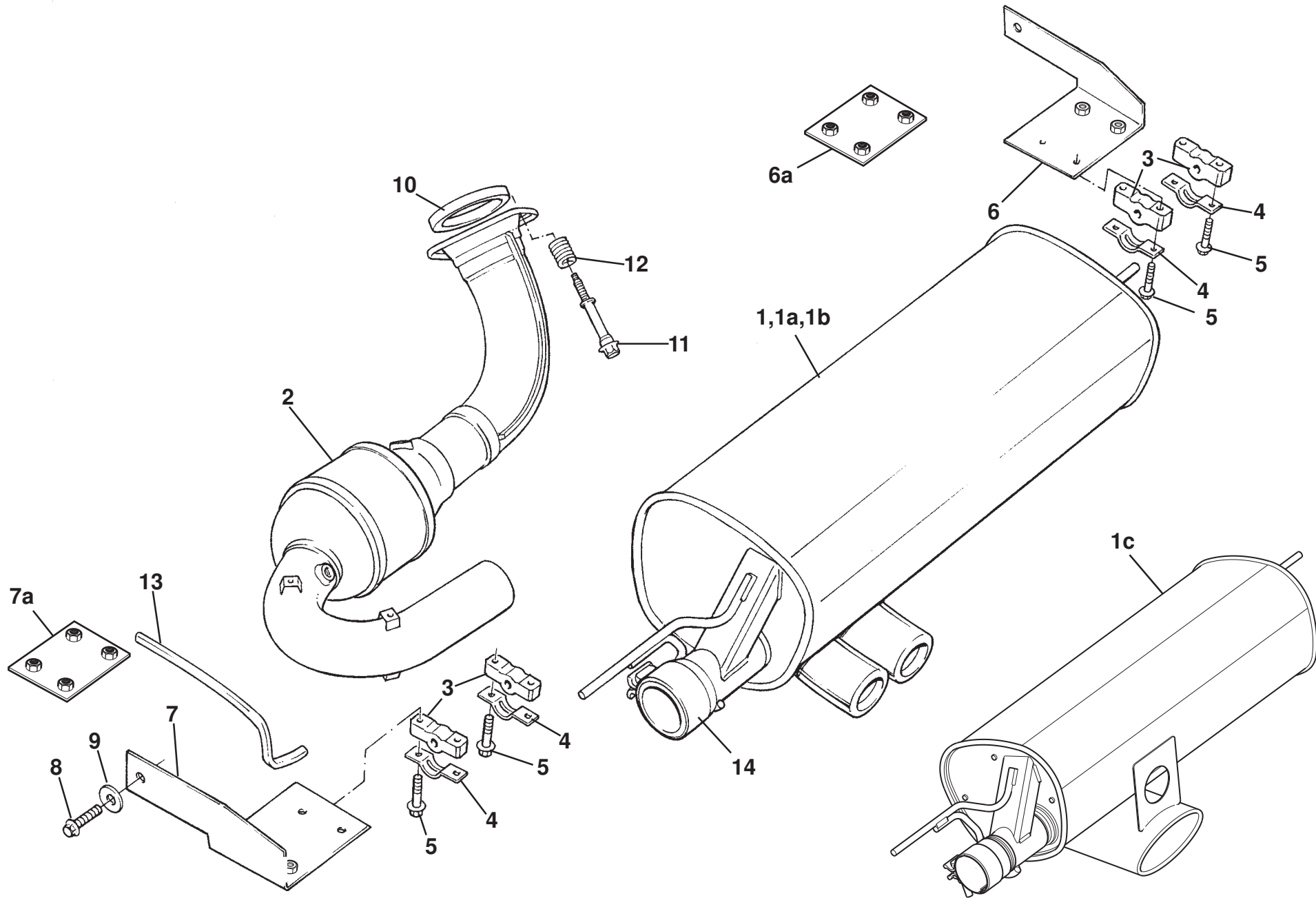
ELISE

Function Code: 44.05c, Page: 2

Updated 24th January 2011

Function Code 44.05c Charcoal Canister & Evap. Loss System, USA/Canada

<u>Dep</u>	<u>Part Description</u>	<u>Remarks</u>	<u>Option</u>	<u>Part Number</u>	<u>Qty</u>
32	Nyloc Nut, M6, bracket to tank		'06 MY	A075W3009Z	2
33	Washer, flat, M6, S/S, bracket to tank		'06 MY	A082W4133F	2
34	Washer, flat, M8, S/S, bracket to tank		'06 MY	A111W4176F	2
35	Pipe Assembly, FLVV valve to canister, LEV 2		'06 MY	A121L0058F	1
36	Evaporative Canister, charcoal, LEV 2, 1.85L		'06 MY	A121L6005F	1
37	Bracket, canister mounting, LEV 2		'06 MY	A121L0050F	1
37a	Bracket, canister mounting, LEV 2, S/C Exige & Elise		Exige S, Elise SC	A128L0021F	1
38	Nut, M6, flg., canister mounting, LEV 2		'06 MY	A117W3180F	1
39	Swivel Clip/Cable Tie			A082W6324F	1
40	Swivel Clip			A082W6587F	1
41	'P' Clip, M6			A111W6595F	2
42	Screw, M6 x 10, hex. hd., clip fixing			A075W1026Z	2
43	Washer, flat, M6 x 12, clip fixing			A075W4013Z	1
44	Clip, double, plastic			A116W6727F	1
45	Bracket, close valve mounting		Exige S, Elise SC	A128L0023F	1
46	'P' Clip, bracket to RH backstay		Exige S, Elise SC	A082W6579F	1
47	Screw, M8 x 25, hex. hd., bracket to 'P' clip		Exige S, Elise SC	A111W1156F	1
48	Washer, M8 x 16.6 x 1.4, bracket to 'P' clip		Exige S, Elise SC	A075W4020Z	1
49	Nyloc Nut, M8, bracket to 'P' clip		Exige S, Elise SC	A075W3010Z	1
50	Clip, purge pipe to manifold		Exige S, Elise SC	A116K6017F	1



ELISE
45.01

Updated 5th December 2016

Service Parts List **ELISE**



Function Code 45.01 Exhaust System

<u>Dep</u>	<u>Part Description</u>	<u>Remarks</u>	<u>Option</u>	<u>Part Number</u>	<u>Qty</u>
01	Silencer Assembly, 2ZZ, Euro	Includes clamp	Europe/ROW	C120S0003F	1
01a	Silencer Assembly, 2ZZ, Federal	Includes clamp	USA/Canada	C121S0002F	1
01b	Silencer Assembly, 1ZZ	Includes clamp	Elise S	A131S0001F	1
01c	Silencer Assembly, 2ZZ S/C	Includes clamp, single oval tailpipe	Exige S, Elise SC,	B128S0002F	1
02	Catalyst/Downpipe Assembly, 2ZZ		Elise R & Elise SC, Exige (Normally Aspirated)	B120S0002F	1
02a	Catalyst/Downpipe Assembly, 2ZZ		Exige S (Super Charged variants)	A128S0001F	1
02b	Catalyst/Downpipe Assembly, 1ZZ		Elise S	B131S0002F	1
03	Exhaust Mounting, silicon, exhaust to subframe			A111S0071F	4
04	Clip, exhaust hanger			A117S0049F	4
05	Bolt, M6 x 35, flg. hex hd.			A116W2191F	8
06	Bracket, silencer to subframe, RH*	Two hole exhaust mounting on rear subframe		A120A0110F	1
06a	Nutplate, silencer to subframe*	Rear subframes with 4 hole exhaust mounting		A120A0184F	1
07	Bracket, silencer to subframe, LH*	Two hole exhaust mounting on rear subframe		A120A0111F	1
07a	Nutplate, silencer to subframe*	Rear subframes with 4 hole exhaust mounting		A120A0184F	1
08	Screw, M6 x 12, flg. hd., bracket to subframe			A111E6007F	2

ELISE

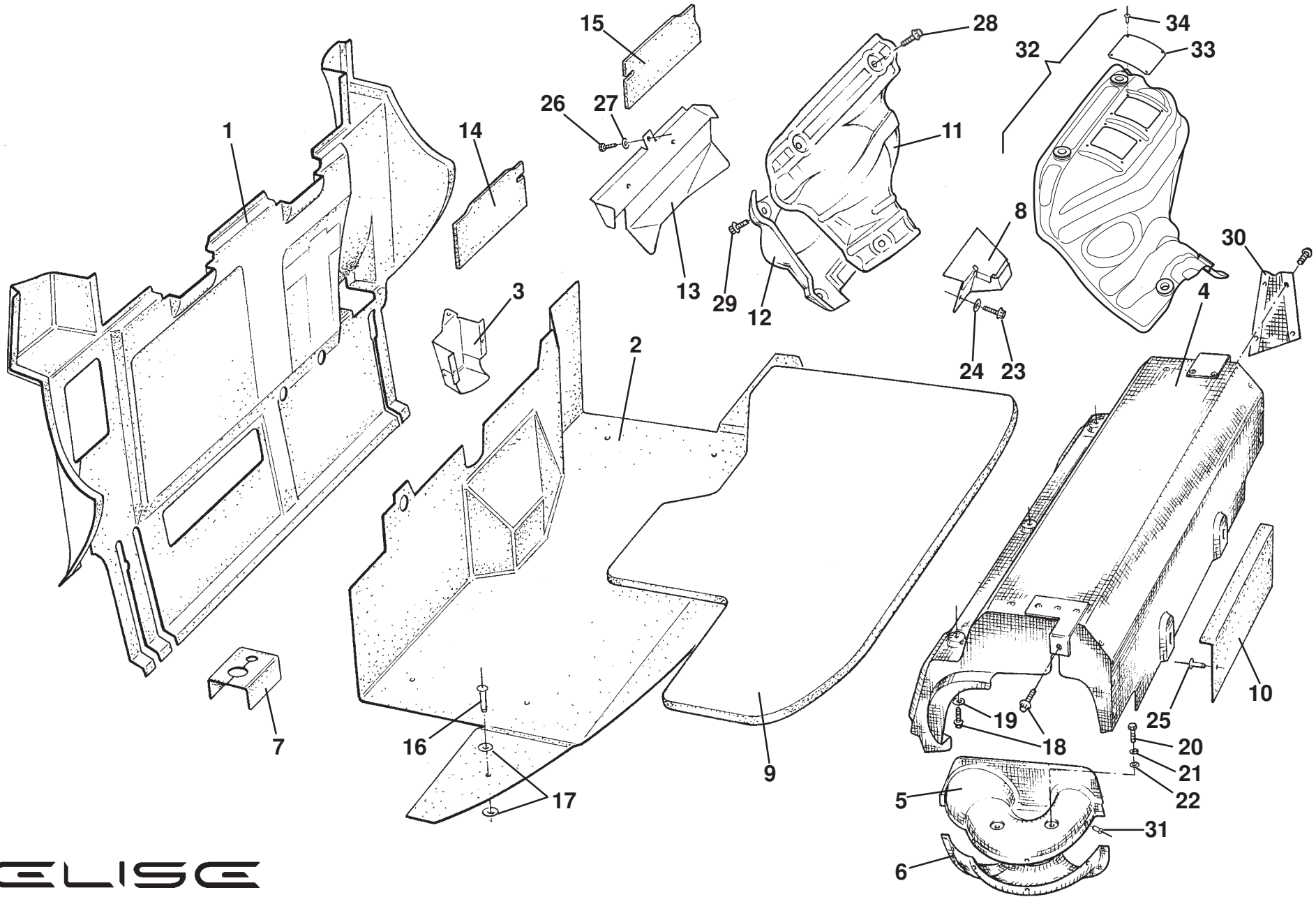
Function Code: 45.01, Page: 1

Updated 3rd January 2017

Function Code 45.01 Exhaust System

<u>Dep</u>	<u>Part Description</u>	<u>Remarks</u>	<u>Option</u>	<u>Part Number</u>	<u>Qty</u>
09	Washer, flat, M6 x 25, bracket to subframe			B075W4017Z	2
10	Gasket, downpipe to manifold, 2ZZ		Elise R & SC, Exige N/A & Exige S	A120E6407S	1
10a	Gasket, downpipe to manifold, 1ZZ		Elise S	A131E6010H	1
11	Bolt, flg. hex. hd., downpipe to manifold			A120E6409S	2
12	Spring, downpipe to manifold			A120E6408S	2
13	Edge Finisher, bracket/subframe			AX75L6020V	300mm
14	Torca Clamp, silencer to downpipe	Refer to TSB 2008/07		A120S6000S	1

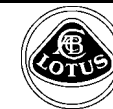
* Replacement rear subframes
now have 4 holes for exhaust
mounting



ELISE
45.05

Updated 24th January 2011

Service Parts List **ELISE**



Function Code 45.05 Heatshields

<u>Dep</u>	<u>Part Description</u>	<u>Remarks</u>	<u>Option</u>	<u>Part Number</u>	<u>Qty</u>
01	Heatshield, bulkhead			B120B0065F	1
01a	Heatshield, bulkhead, LEV 2		'06 MY	A120B0138F	1
02	Heatshield, bootbox, Elise	540mm wide diffuser support plate	Elise, prior to '07.5 MY	B120S0005F	1
02a	Heatshield, bootbox, Exige	540mm wide diffuser support plate	Exige, prior to '07.5 MY	A122S0004F	1
02b	Heatshield, bootbox, Elise	710mm wide diffuser support plate	Elise, from '07.5 MY	C120S0005F	1
02c	Heatshield, bootbox, Exige	710mm wide diffuser support plate	Exige, from '07.5 MY	B122S0004F	1
02d	Heatshield, bootbox, Elise, GCC		Gulf States only	A120S0035F	1
03	Heatshield, striker assembly	Part of striker/lift assembly	Elise, A120B0012F R/B	B120B0012F	1
04	Heatshield Assembly, muffler		E120S0024F R/B	F120S0024F	1
04a	Heatshield Assembly, muffler, TCA brace	For double shear TCA brace	Optional	A120S0034F	1
05	Heatshield, muffler 'U' bend upper			D120S0029F	1
06	Heatshield, muffler 'U' bend lower			D120S0030F	1
07	Heatshield/NVH Pad, tank bay closure		A121L0046F R/B	B117S0046F	1
08	Heatshield, rear engine mount			B120S0010F	1
09	Heatshield, boot floor insulation			B120V0009F	1
10	Heatshield, rear license plate	Fits item 13, section 10.25	Prior to '07.5 MY	A117S0041F	1

ELISE

Function Code: 45.05, Page: 1

Updated 16th January 2013

Function Code 45.05 Heatshields

<u>Dep</u>	<u>Part Description</u>	<u>Remarks</u>	<u>Option</u>	<u>Part Number</u>	<u>Qty</u>
10a	Heatshield, rear license plate, federal	Fits item 30/30a, section 10.25	Common, '07.5 MY	A121S0004F	1
11	Heatshield, exhaust manifold, upper			A120E6332S	1
12	Heatshield, exhaust manifold, lower			A120E6333S	1
13	Heatshield, tailgate latch assembly		Exige	C122S0001F	1
14	Heatshield, latchrail/bulkhead, LH	Foiled foam mat, self adhesive	Exige	A122S0005F	1
15	Heatshield, latchrail/bulkhead, RH	Foiled foam mat, self adhesive	Exige	A122S0006F	1
16	Pop Rivet, blind, bootbox heatshield fixing			A111W6614F	5
17	Washer, flat, M5 x 25, black, bootbox heatshield fixing			A082W4098F	10
18	Screw, M6, hex. flg. hd., muffler heatshield fixing			A111E6007F	6
19	Washer, flat, M6 x 25, muffler heatshield fixing			B075W4017Z	3
20	Screw, M6 x 10, hex. hd., heatshield to 'U' bend			A075W1026Z	4
21	Washer, spring, M6, heatshield to 'U' bend			A075W4035Z	4
22	Washer, flat, M6 x 25, heatshield to 'U' bend			B075W4017Z	4
23	Screw, M6 x 12, hex. flg. hd., eng. mount heatshield fixing			A111E6007F	2
24	Washer, flat, M6 x 25, engine mount heatshield fixing			A075W4017Z	2
25	Pop Rivet, license plate heatshield fixing			A089W6297F	2
26	Screw, M6 x 16, hex. hd., heatshield to latch		Exige	A075W1028Z	3
27	Washer, flat M6 x 18 x 1, heatshield to latch		Exige	B082W4018F	3
28	Bolt, manifold heatshield upper fixing			A120E6482S	4
29	Bolt, manifold heatshield lower fixing			A120E6483S	4
30	Heatshield Closure Plate, RH	Part of item 4		B120S0028H	1

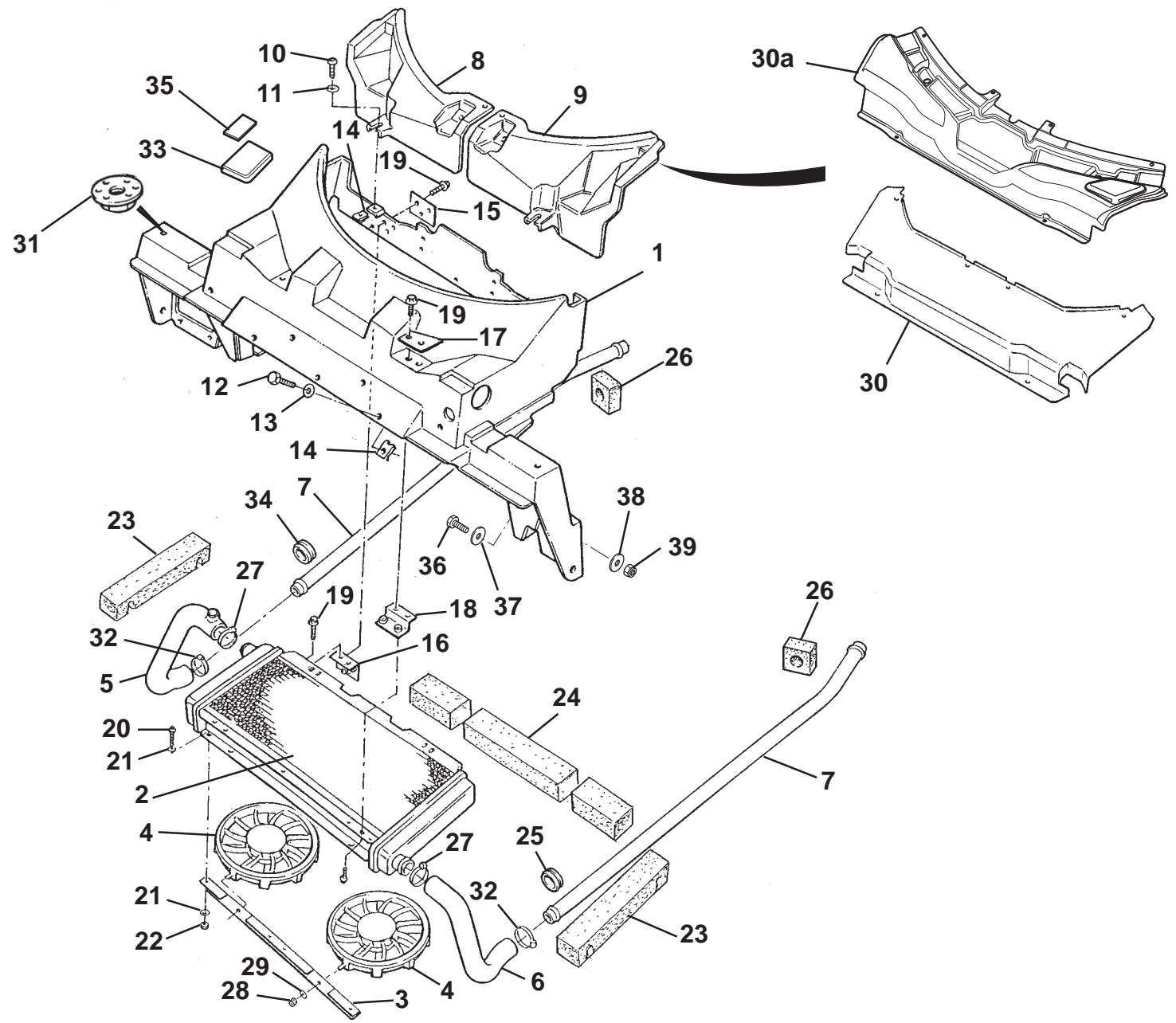
ELISE

Function Code: 45.05, Page: 2

Updated 16th January 2013

Function Code 45.05 Heatshields

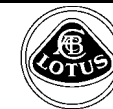
<u>Dep</u>	<u>Part Description</u>	<u>Remarks</u>	<u>Option</u>	<u>Part Number</u>	<u>Qty</u>
31	Pop Rivet, 'U' bends attaching	Secures item 5 to item 6		A120W6775F	4
32	Heatshield Assembly, exhaust manifold, 1ZZ		Elise S, '07 MY	A131S0004F	1
33	Blanking Plate, heatshield, 1ZZ		Elise S, '07 MY	A131S0003F	2
34	Pop Rivet, plates to heatshield		Elise S, '07 MY	A131W6815F	8



ELISE
46.01

Updated 1st June 2015

Service Parts List **ELISE**



Function Code 46.01 Engine Cooling System & Fan

<u>Dep</u>	<u>Part Description</u>	<u>Remarks</u>	<u>Option</u>	<u>Part Number</u>	<u>Qty</u>
01	Radiator Housing		Elise, '04-'10 MY	B120B0093F	1
01a	Radiator Housing		Exige	A122B0111F	1
01b	Radiator Housing	Also order item 33	Elise, 2011 MY	C120B0290F	1
02	Radiator			C117K0021F	1
02a	Radiator, hot climate		Gulf states	A120K0029H	1
03	Bracket, fans to radiator, heater only	See 18.03 for A/C		A117K0025F	2
04	Radiator Cooling Fan			A111M6070F	2
04a	Radiator Cooling Fan		Gulf states	A117K0022H	2
05	Hose, pipe to radiator, RH	Includes bleed valve		A117K0008F	1
06	Hose, pipe to radiator, LH			A117K0015F	1
07	Pipe, chassis water rail			A116K0018F	2
08	Shroud, radiator, RH		Elise '04-'10 MY	A120B0046F	1
09	Shroud, radiator, LH		Elise '04-'10 MY	A120B0047F	1
10	Screw, M5 x 16, skt. button hd., shroud to housing			A111W7156F	2
11	Washer, flat, M5 x 19 x 1.4, s/s, black, shroud to housing			A082W4107F	2
12	Screw, M5 x 20, skt. button hd., hsg. to crash structure			A082W7173F	6
13	Washer, flat, M5, housing to crash structure			A340W4183F	6
14	Spirenut, M5, shroud to housing/housing to crash structure			A117W6697F	8

ELISE

Function Code: 46.01, Page: 1

Updated 1st June 2015

Function Code 46.01 Engine Cooling System & Fan

<u>Dep</u>	<u>Part Description</u>	<u>Remarks</u>	<u>Option</u>	<u>Part Number</u>	<u>Qty</u>
15	Spreader Plate, rear bracket to housing			A117P0117F	2
16	Bracket, radiator to housing rear			A117K0006F	2
17	Spreader Plate, front bracket to housing			A117P0102F	2
18	Bracket, radiator to housing front			A117K0005F	2
19	Bolt, M8 x 16, flg. hd.,brackets to radiator/housing			A117W2202F	18
20	Screw, M6 x 16, hex. hd., bracket to radiator			A075W1028Z	8
21	Washer, flat, M6 x 12, bracket to radiator			A075W4013Z	16
22	Nyloc Nut, M6			A075W3009Z	8
23	Foam, condenser to housing sides	RH remove pre-cut slots	AC cars	C117B0282F	2
24	Foam, condenser to housing rear edge	Three sections		A117B0446F	1
25	Grommet, pipe through chassis front, LH			A111K6006F	1
26	Seal, pipe to chassis			A111A0033F	4
27	Hose Clip, hose to radiator			A120W6892F	2
28	Nyloc Nut, M5, fan to bracket			A075W3008Z	4
29	Washer, flat, M5 x 18 x 1.4, fan to bracket			B075W4009Z	4
30	Shroud, radiator, one piece		Exige	B122K0001K	1
30a	Shroud, radiator, one piece		Elise, 2011 MY	C120B0250F	1
31	Captive Nut, M8, big hd., housing to clamshell	Bonded to housing		A111W6592F	2
32	Hose Clip, hose to chassis pipes			A075M6145F	2
33	Cap, radiator housing	Bonded to cut-down towers	Elise, 2011 MY	A120B0396F	2
34	Grommet, pipe through chassis front, RH			A082L6159Z	1

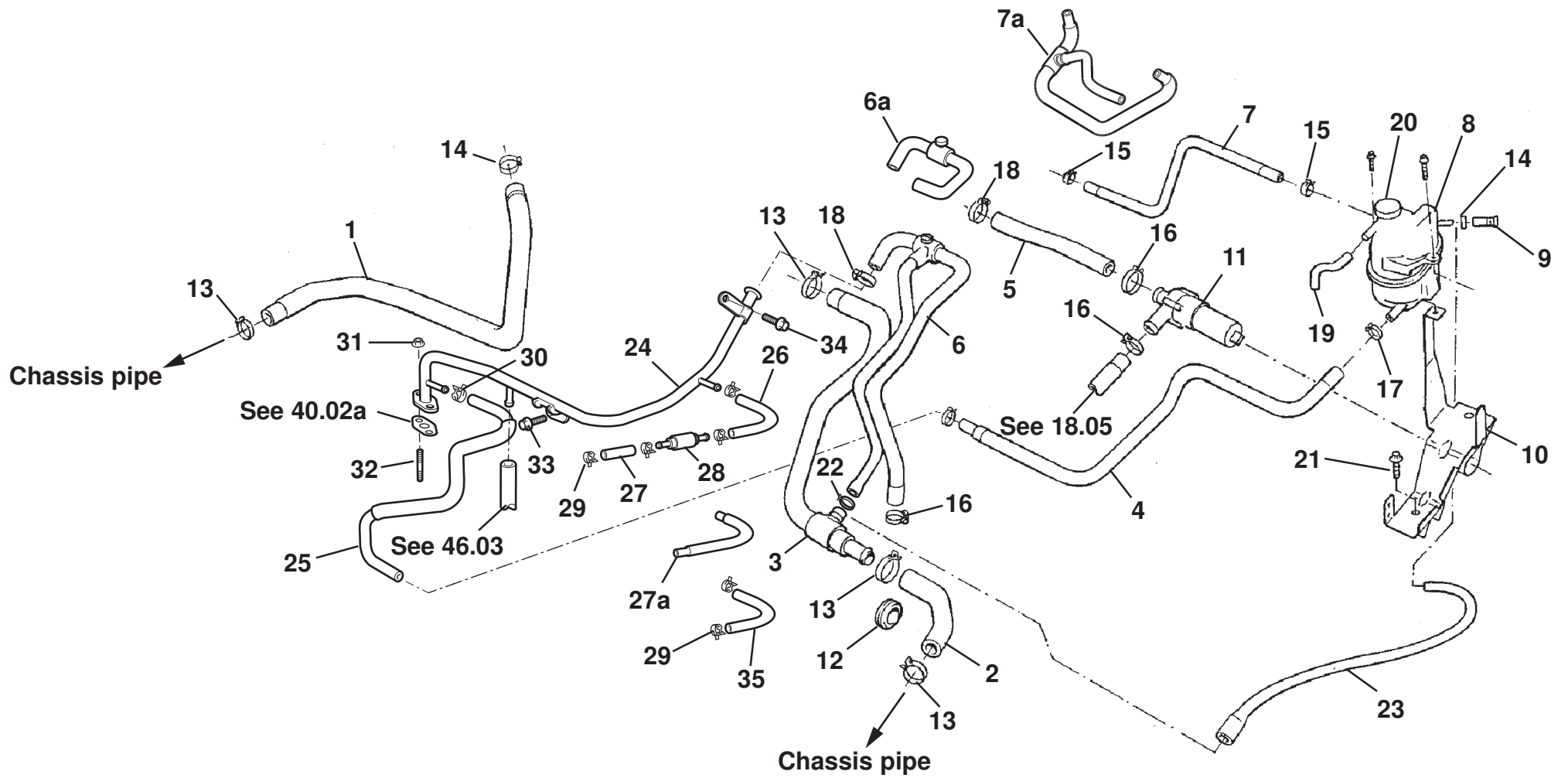
ELISE

Function Code: 46.01, Page: 2

Updated 1st June 2015

Function Code 46.01 Engine Cooling System & Fan

<u>Dep</u>	<u>Part Description</u>	<u>Remarks</u>	<u>Option</u>	<u>Part Number</u>	<u>Qty</u>
35	Pad, front clamshell mounting to rad. Housing			A117U0163F	2
36	Screw M6 x 25 hex hd, surround to crash structure			A075W1031Z	2
37	Washer Flat, 3/16 x 3/4 s/s, surround to crash structure			B075W4009Z	2
38	Washer Flat, M6 x 18 x 1, surround to crash structure			B082W4018F	2
39	Nyloc Nu,t M6, surround to crash structure			A075W3009Z	2



ELISE
46.01c

Updated 3rd March 2014

Service Parts List **ELISE**



Function Code 46.01c Engine Cooling System 2ZZ,1ZZ powertrain

<u>Dep</u>	<u>Part Description</u>	<u>Remarks</u>	<u>Option</u>	<u>Part Number</u>	<u>Qty</u>
01	Hose, engine inlet			B120K0001F	1
02	Hose, outlet to chassis pipe			B116K0016F	1
03	Hose, engine outlet			B120K0005F	1
04	Hose, header tank to water pump			A120K0007F	1
05	Hose, engine to re-circ pump, 2ZZ		111R, Elise R, Exige	B120K0002F	1
05a	Hose, engine to re-circ pump, 1ZZ		Elise S, '07 MY	A131K0002F	1
06	Hose Assembly, return pipe to engine	Also see 18.05, includes bleed	Prior to VIN: 4 1972	D120K0004F	1
06a	Hose, return pipe to engine	Use with item 23. See SB 2004/28	From VIN: 4 1972	E120K0004F	1
06b	Hose, return pipe to engine, 1ZZ		Elise S, '07 MY	A131K0001F	1
07	Hose header tank to engine			B120K0006F	1
07a	Hose header tank to engine/throttle body, 1ZZ		Elise S, '07 MY	A131K0004F	1
08	Header Tank Assembly	Includes item 19		A120K6005S	1
09	Blanking Hose, header tank de-gas vent			A120K0008F	1
10	Bracket, header tank mounting	For fuel feed pipe routing under airbox		D120K0009F	1
10a	Bracket, header tank mounting	For fuel feed pipe routing over airbox		A128K0002F	1
11	Recirculation Pump			A117K0013F	1
12	Grommet, hose through chassis rear			A082K6022F	2

ELISE

Function Code: 46.01c, Page: 1

Updated 1st May 2014

Function Code 46.01c Engine Cooling System 2ZZ,1ZZ powertrain

<u>Dep</u>	<u>Part Description</u>	<u>Remarks</u>	<u>Option</u>	<u>Part Number</u>	<u>Qty</u>
13	Hose Clamp, 40mm, hose to pipe rear			A116K6015F	4
14	Hose Clamp, 44mm, hose to engine			A116K6014F	1
15	Hose Clamp, 15.7mm, hose to engine/header tank			A120W6738F	2
16	Hose Clamp, 27mm, heater feed/return hoses			A116K6016F	3
17	Hose Clamp, 17.7mm, hose to header tank			A120W6739F	2
18	Hose Clamp, 26mm, hose to engine, 2ZZ		111R, Elise R, Exige	A120W6776F	2
18a	Hose Clamp, DN24, hose to engine, 1ZZ		Elise S, '07 MY	A131W6840F	1
19	Hose, header tank overflow	Part not available separately, part of item 08			1
20	Cap, header tank			A120E6341S	1
21	Screw, M8 x 20, hex. flg. hd., bracket to engine mount			A116W5246F	1
22	Hose Clip, 19mm, bleed hose to 'T' piece			A116E6034F	1
23	Hose, header tank bleeding	Use with item 6a	From VIN: 4 1972	A120K0022F	1
24	Pipe, coolant bypass			A120E6306S	1
25	Hose, coolant bypass			A120E6309S	1
26	Hose, coolant bypass to thermostat			A120E6307S	1
27	Hose, thermostat to throttle body, 2ZZ		111R, Elise R, Exige	A120E6308S	1
27a	Hose, thermostat to throttle body, 1ZZ		Elise S, '07 MY	B131K0003F	1
28	Throttle Body Thermostat		111R, Elise R, Exige	A120E6356S	1
29	Hose Clamp			A131E6205S	6
30	Hose Clamp, bypass pipe, hose			A120E6311S	1

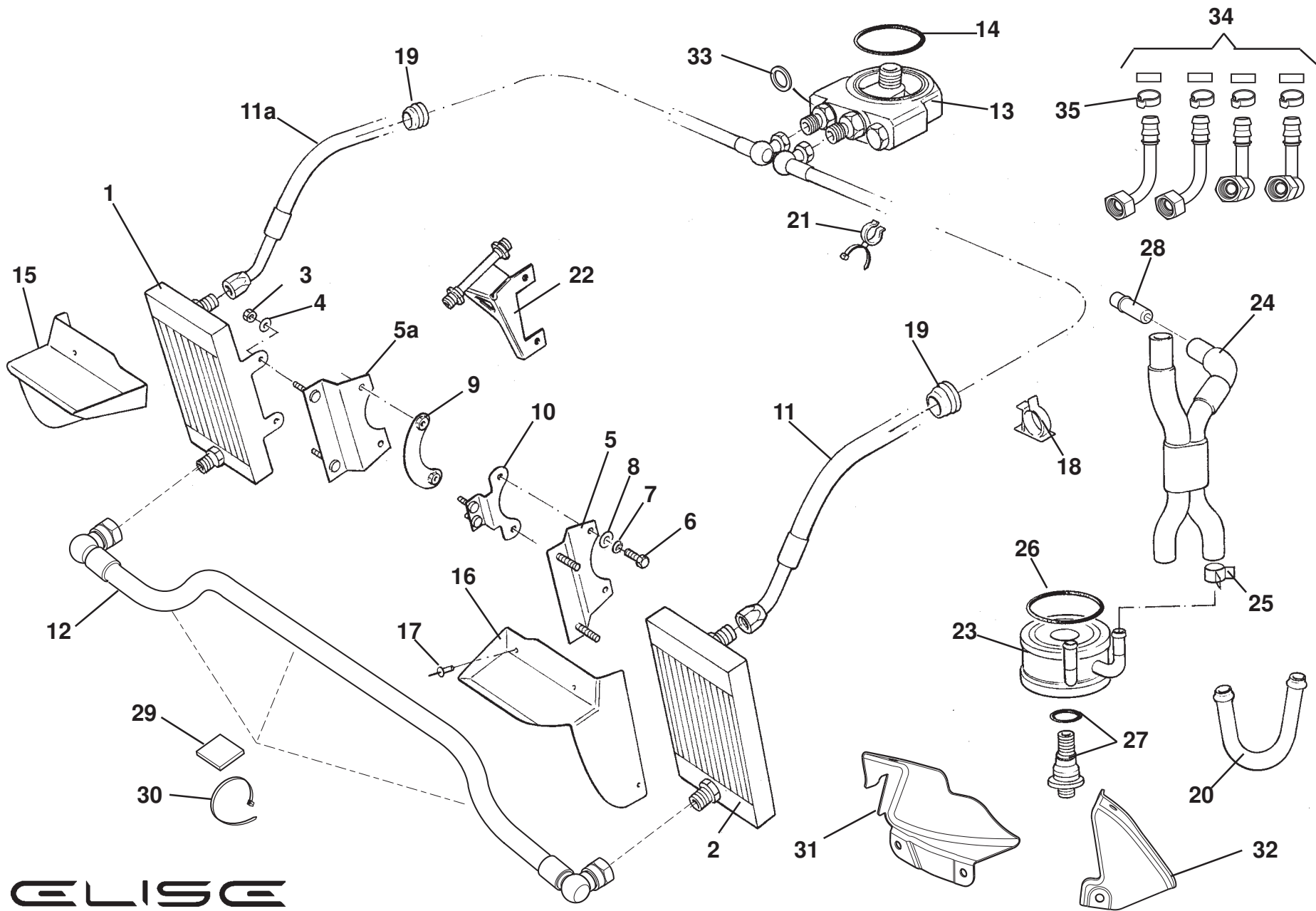
ELISE

Function Code: 46.01c, Page: 2

Updated 1st May 2014

Function Code 46.01c Engine Cooling System 2ZZ,1ZZ powertrain

<u>Dep</u>	<u>Part Description</u>	<u>Remarks</u>	<u>Option</u>	<u>Part Number</u>	<u>Qty</u>
31	Nut, bypass pipe, engine			A120E6468S	2
32	Stud, bypass pipe, engine			A132E6295S	2
33	Bolt, bypass pipe, engine			A120E6312S	1
34	Bolt, bypass pipe, engine			A120E6280S	1
35	Hose, coolant bypass, throttle to engine, 2ZZ			A120E6305S	1



ELISE
46.03

Updated 1st December 2014

Service Parts List **ELISE**



Function Code 46.03 Oil Cooler/Heat Exchanger & Pipes

<u>Dep</u>	<u>Part Description</u>	<u>Remarks</u>	<u>Option</u>	<u>Part Number</u>	<u>Qty</u>
01	Oil Cooler, RH			A120K0020F	1
02	Oil Cooler, LH			A120K0021F	1
03	Nyloc Nut, M8, cooler to bracket			A907E6284F	4
04	Washer, flat, M8 x 20.5 x 1.4, cooler to bracket			A082W4165F	4
05	Bracket, oil cooler mounting, LH	Replaces non-handed bracket	A120A0079F R/B	A120A0131F	1
05a	Bracket, oil cooler mounting, RH	Replaces non-handed bracket	A120A0079F R/B	A120A0132F	1
06	Screw, M8 x 20, hex hd., bracket to nutplate			A075W1038Z	4
07	Washer, spring, M8, bracket to nutplate			A075W4036Z	4
08	Washer, flat, M8 x 16.6 x 1.4, bracket to nutplate			A075W4020Z	4
09	Nutplate, bracket to crash structure, RH			A120K0017F	1
10	Bracket, siren mounting	Also nutplate for LH bracket		A120K0018F	1
11	Hose, oil cooler to sandwich plate, LH	Replaces common hose, cut to fit for cars fitted with accusump		A120K0067F	1
11a	Hose, oil cooler to sandwich plate, RH	Replaces common hose		A120K0068F	1
12	Hose, Transfer, oil cooler RH to oil cooler LH	45 degree connector. For pre '11MY vehicles (tie wrap to crash structure) unless E120K0012F already fitted as per Service Bulletin 2011/12		B120K0066S	1

Function Code 46.03 Oil Cooler/Heat Exchanger & Pipes

<u>Dep</u>	<u>Part Description</u>	<u>Remarks</u>	<u>Option</u>	<u>Part Number</u>	<u>Qty</u>
12a	Hose, Transfer, oil cooler RH to oil cooler LH	90 degree connector. For '11MY on cars (secured with items 29 & 30) or pre '11MY where previously fitted in conjunction with item 22a as per Service Bulletin 2011/12		A120K0082S	1
13	Sandwich Plate & Thermostat Assy.			A120K6001F	1
14	Seal, adaptor to oil filter housing			A120K6002H	1
15	Duct, oil cooler, RH		Elise, '04-'10 MY	A120B0090F	1
15a	Duct, oil cooler, RH		Exige	A122B0194F	1
15b	Duct, oil cooler, RH, Exige '10 MY	Not illustrated	Exige 2010 MY	A128B4126K	1
16	Duct, oil cooler, LH		Elise, '04-'10 MY	A120B0091F	1
16a	Duct, oil cooler, LH		Exige	A122B0195F	1
16b	Duct, oil cooler, LH, Exige '10 MY	Not illustrated	Exige 2010 MY	A128B4125K	1
17	Pop Rivet, duct to radiator housing			A089W6297F	6
18	Clip, oil cooler hose	Bonded inside sills		A120W6760F	9
19	Grommet, hose through sill front			A082H6046F	2
20	Connector, feed & return hoses		Oil cooler cars	A120E0017F	1
21	Clip, oil cooler hose to heater hose			A116W6692F	2
22	Bracket, oil cooler replacement, RH		Single oil cooler cars	B120K0024F	1
22a	Bracket, oil cooler replacement, RH	Required for '11MY or pre '11MY' with E level transfer hose, see Service Bulletin 2011/12	Single oil cooler cars	C120K0024F	1
23	Heat Exchanger, oil/water, engine mounted, ZZZ	Includes 'O' ring, item 26	Non oil cooler cars	A120E6293S	1

ELISE

Function Code: 46.03, Page: 2

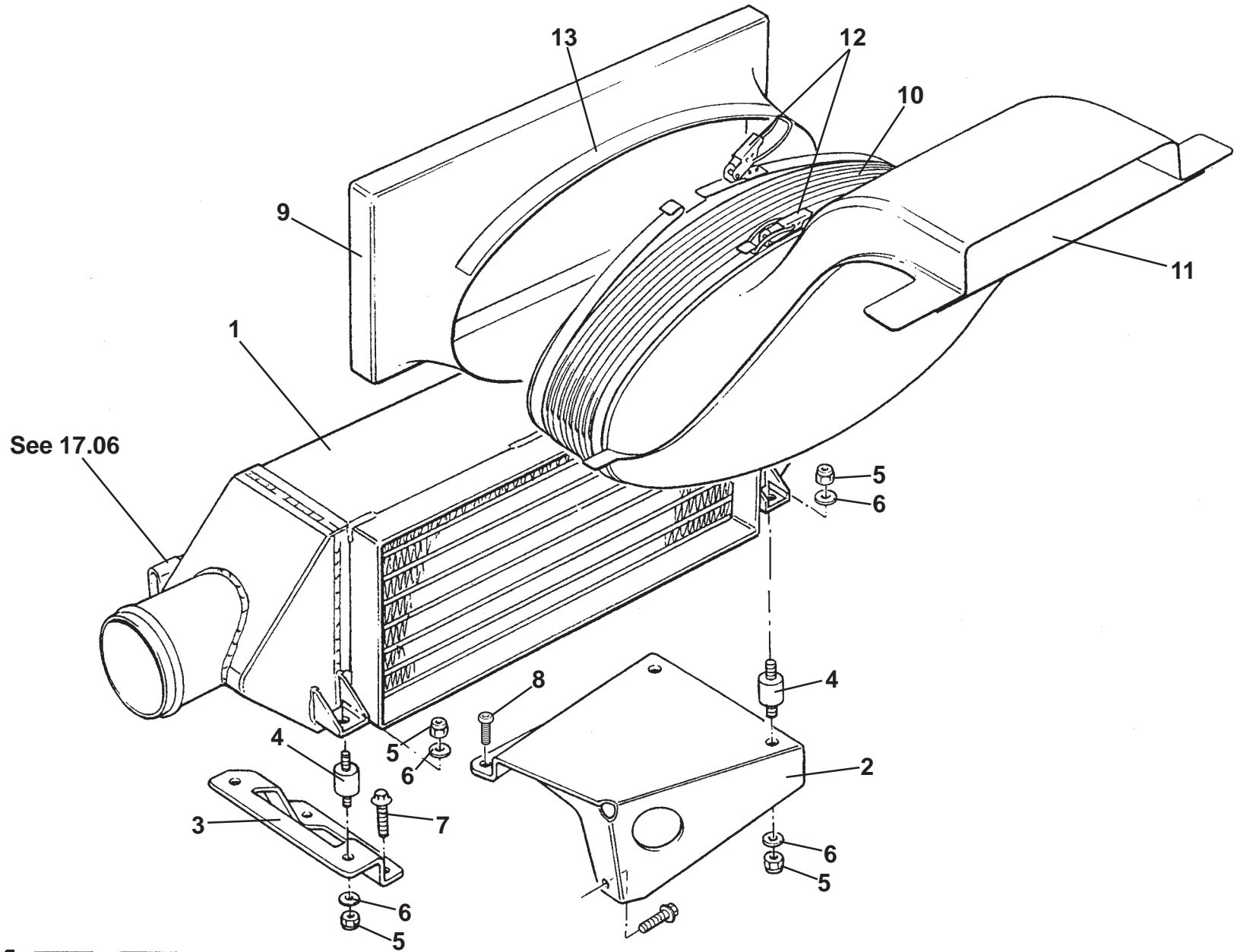
Updated 1st December 2014

Function Code 46.03 Oil Cooler/Heat Exchanger & Pipes

Dep	Part Description	Remarks	Option	Part Number	Qty
23a	Heat Exchanger, oil/water, engine mounted, 1ZZ		Elise S, '07 MY	A131E6093S	1
24	Hose Assembly, coolant feed/return		Non oil cooler cars	A120E6294S	1
24a	Hose, coolant bypass	Spigot to heat exchanger	Elise S, '07 MY	A131E6120S	1
24b	Hose, coolant bypass	Block to heat exchanger	Elise S, '07 MY	A131E6121S	1
25	Hose Clip, hose to spigots		Non oil cooler cars	A120E6295S	4
26	'O' Ring, exchanger to block		Non oil cooler cars	A120E6458S	1
27	Union, filter to exchanger, 2ZZ	Includes 'O' ring	Non oil cooler cars	A120E6292S	1
27a	Union, filter to exchanger, 1ZZ		Elise S, '07 MY	A131E6112S	1
28	Union, oil heat exchanger hose to block, 2ZZ		Non oil cooler cars	A120E6149S	1
29	Base, cable tie,hose oil cooler to crash structure			A117W6729F	3
30	Cable tie, hose oil cooler to crash structure			A075W6038Z	3
31	Deflector Oil Cooler Duct, LH		Elise 2011 MY	A120B4017F	1
31a	Deflector Oil Cooler Duct, RH		Elise 2011 MY	A120B4018F	1
32	Screen Oil Cooler Duct, LH		Elise 2011 MY	A120B4071F	1
32a	Screen Oil Cooler Duct, RH		Elise 2011 MY	A120B4072F	1
33	Bonded Seal, sandwich plate			A120K6013S	2
34	Hose End Repair Kit	See Service Bulletin 2014/01R		A120K0079S	1
35	Oetiker Clip	See Service Bulletin 2014/01R		A120W6907S	1
36	Oil Cooler Hose Repair Kit	Not illustrated, includes items 12 & 34, See Service Bulletin 2014/01R		A120K0080S	1

Function Code 46.03 Oil Cooler/Heat Exchanger & Pipes

<u>Dep</u>	<u>Part Description</u>	<u>Remarks</u>	<u>Option</u>	<u>Part Number</u>	<u>Qty</u>
36a	Oil Cooler Hose Repair Kit	Not illustrated, includes items 12a & 34, See Service Bulletin 2014/01R		A120K0084S	1



EXIGE
46.10a

2010/01

Service Parts List

EXIGE



Function Code 46.10a Intercooler & Ducting

<u>Dep</u>	<u>Part Description</u>	<u>Remarks</u>	<u>Option</u>	<u>Part Number</u>	<u>Qty</u>
01	Intercooler		Exige S	A128L0008F	1
01a	Intercooler		Cup 255/260	A127E0028F	1
02	Bracket, intercooler mounting, LH			B128L0011F	1
02a	Bracket, intercooler mounting, LH		Cup 255/260	ALS3E0171F	1
03	Bracket, intercooler mounting, RH			A128L0010F	1
03a	Bracket, intercooler mounting, RH		Cup 255/260	ALS3E0170F	1
04	Isolation Bush, cooler to brackets			A128L0012F	4
05	Nyloc Nut, bush fix.			A075W3010Z	8
06	Washer, flat, bush fix.			A111W4175F	8
07	Screw, M8 x 20, flg. hex. hd., brackets fixing			A116W5246F	3
08	Screw, M6 x 16, torx pan hd., bracket to cam cover			A117W2213F	1
09	Duct, bellows to chargecooler			A128E0022K	1
09a	Insert Strip, 762mm, duct reinforcing	Not illus., bonded to duct		A128U0012K	1
09b	Duct, bellows to chargecooler		Cup 255/260	ALS3E0175F	1
10	Sealing Bellows, intercooler to duct			A128E0023F	1
11	Duct, roof panel to bellows			A128B0011J	1
11a	Insert Strip, 748mm, duct reinforcing	Not illus., bonded to duct		A128U0013K	1
12	Retaining Clamp, bellows		A128W6806F R/B	A128W6853F	2

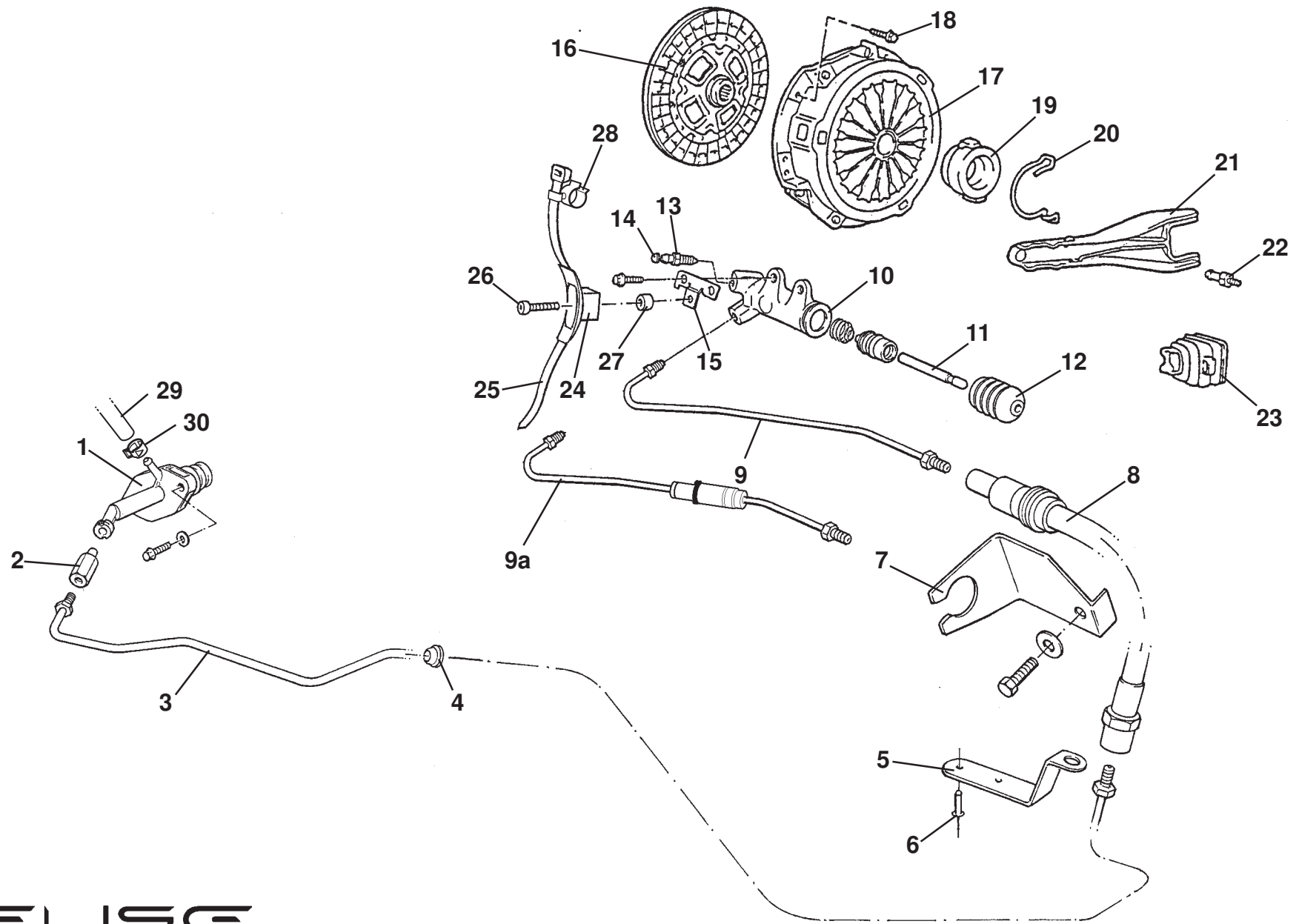
EXIGE

Function Code: 46.10a, Page: 1

Updated 3rd February 2014

Function Code 46.10a Intercooler & Ducting

<u>Dep</u>	<u>Part Description</u>	<u>Remarks</u>	<u>Option</u>	<u>Part Number</u>	<u>Qty</u>
13	Tape, double sided, bellows to ducts	In four positions		C075U6071V	As req.



ELISE
47.01

Updated 3rd February 2014

Service Parts List **ELISE**



Function Code 47.01 Clutch & Release Mechanism

<u>Dep</u>	<u>Part Description</u>	<u>Remarks</u>	<u>Option</u>	<u>Part Number</u>	<u>Qty</u>
01	Clutch Release Master Cylinder, LEV 1	For trunnion in alloy pedal	Prior to '06 MY	A120J6002S	1
01a	Clutch Release Master Cylinder, LEV 2	With clevis for steel pedal	'06 MY	A120Q0007H	1
02	Quick Connector, pipe to master cylinder		Common	A116Q6001F	1
03	Pipe, clutch, front, RHD		Common	B120Q0002F	1
03a	Pipe, clutch, front, LHD		Common	B120Q0001F	1
04	Grommet, front pipe		Common	A075U6043Z	1
05	Bracket, clutch hose to chassis		Common	A120Q0005F	1
06	Pop Rivet, bracket to chassis		Common	A111W6613F	2
07	Bracket, clutch hose to transmission		Common	A120Q0004F	1
08	Hose, pipe front to pipe rear		Common	A116Q0016F	1
09	Pipe, clutch, rear		Common	A120Q0003F	1
09a	Pipe/Restrictor Assembly, clutch, rear	If fitted (ie launch control)	Any Cup car or with output of 240 PS or above	A127Q0003F	1
10	Clutch Release Slave Cylinder		Common	A120Q6011S	1
10a	Cylinder Repair Kit, clutch release		Common	A120Q6009S	1
11	Push Rod, release slave cylinder		Common	A120Q6012S	1
12	Boot, release slave cylinder		Common	A120Q6013S	1
13	Bleed Plug, release slave cylinder		Common	A120Q6015S	1
14	Cap, bleed plug		Common	A120Q6014S	1

ELISE

Function Code: 47.01, Page: 1

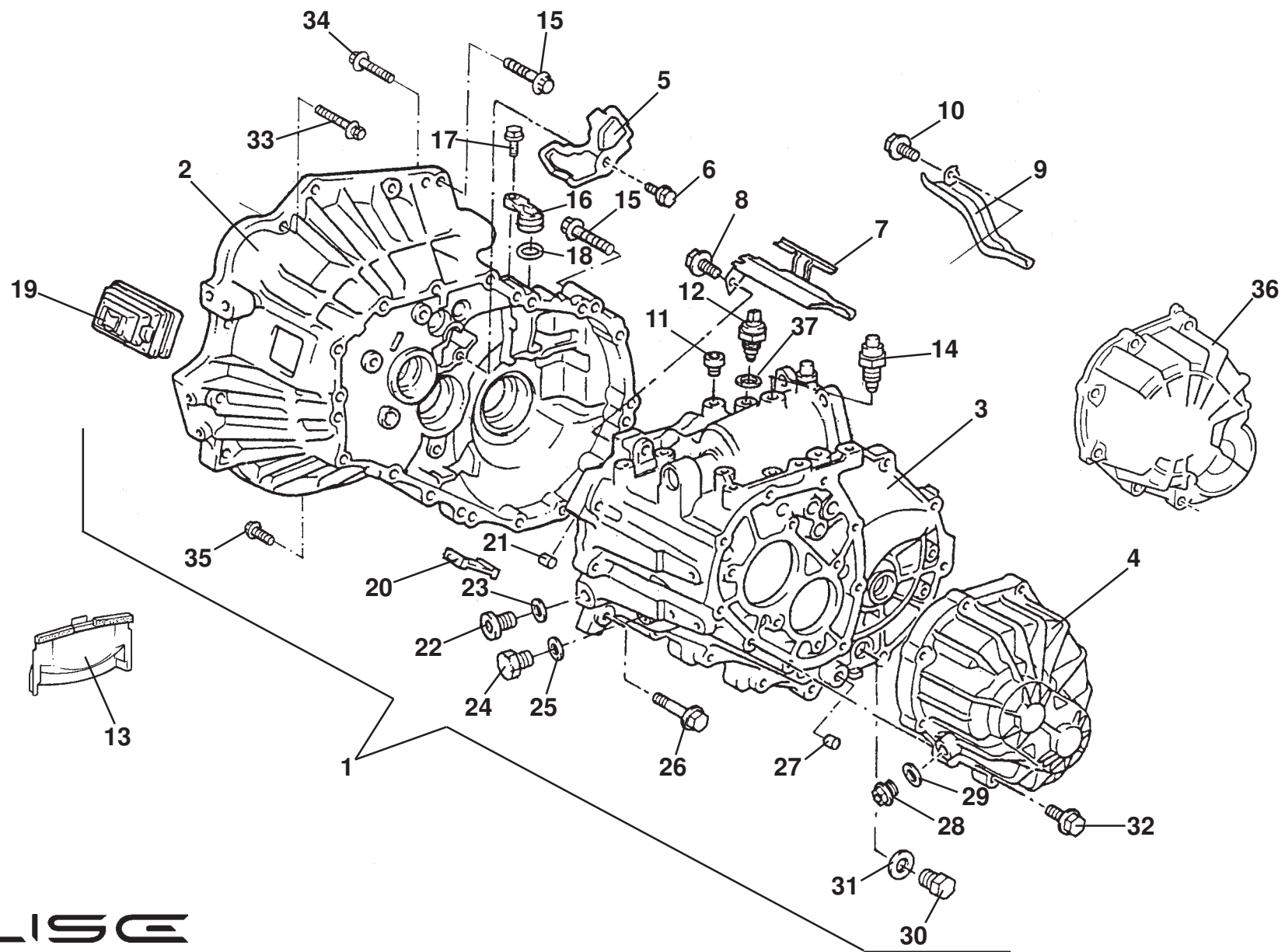
Updated 3rd February 2014

Function Code 47.01 Clutch & Release Mechanism

<u>Dep</u>	<u>Part Description</u>	<u>Remarks</u>	<u>Option</u>	<u>Part Number</u>	<u>Qty</u>
15	Bracket, release slave cylinder	Not on Exige S	111R, Elise S & R, Exige	A120Q6016S	1
16	Clutch Driven Plate, C64 six speed		111R, Elise R, Exige	A120Q6003S	1
16a	Clutch Driven Plate, C56 five speed		Elise S, '07 MY	A131Q6001S	1
16b	Clutch Driven Plate, Motorsport, C64 six speed		Any Cup car or with output of 240 PS or above	A127Q0002F	1
17	Clutch Cover Assembly, C64 six speed		111R, Elise R, Exige	A120Q6001S	1
17a	Clutch Cover Assembly, C56 five speed		Elise S, '07 MY	A131Q6000S	1
17b	Clutch Cover Assembly, Motorsport, C64 six speed		Any Cup car or with output of 240 PS or above	A127Q0001F	1
18	Bolt, hex. flg. hd., cover to flywheel		111R, Elise R, Exige	A120Q6002S	6
19	Clutch Release Bearing		Common	A120Q6007S	1
20	Spring Clip, clutch release bearing hub, C64		111R, Elise R, Exige	A120Q6008S	1
20a	Spring Clip, clutch release bearing hub, C56		Elise S, '07 MY	A131F6026S	1
21	Clutch Release Fork		Common	A120Q6006S	1
22	Support, release fork, C64 six speed		Common	A120Q6010S	1
23	Boot, clutch release fork		Common	A120Q6005S	1
24	Cradle, cable tie	Not on Exige S	111R, Elise S & R, Exige	A082W6293F	1
25	Cable Tie, 2ZZ	Not on Exige S	111R, Elise R, Exige	A082W6324F	1
25a	Cable Tie, 1ZZ		Elise S, '07 MY	A075W6038Z	1
26	Screw, M6 x 16, cap hd., black, cradle to bracket	Not on Exige S	111R, Elise S & R, Exige	A075W7017F	1
27	Spacer, nylon, cradle to bracket	Not on Exige S	111R, Elise S & R, Exige	A082W4100F	1

Function Code 47.01 Clutch & Release Mechanism

<u>Dep</u>	<u>Part Description</u>	<u>Remarks</u>	<u>Option</u>	<u>Part Number</u>	<u>Qty</u>
28	Swivel Clip, female, 2ZZ	Not on Exige S	111R, Elise R, Exige	A089W6287F	1
29	Hose, reservoir to master cylinder	Cut to fit for LHD		A120J0089S	1
30	Clip Oetiker			A124W6818F	2



ELISE

47.03

Updated 21st November 2011

Service Parts List **ELISE**



Function Code 47.03 Transmission Assembly

<u>Dep</u>	<u>Part Description</u>	<u>Remarks</u>	<u>Option</u>	<u>Part Number</u>	<u>Qty</u>
01	Transmission Assembly, C64, six speed		111R, Elise R, Exige	A120F6001S	1
01a	Transmission Assembly, LSD		Optional	A120F6261S	1
01b	Transmission Assembly, C56, 5 speed		Elise S, '07 MY	A131E6004H	1
02	Clutch Housing, C64, six speed		111R, Elise R, Exige	A120F6022S	1
02a	Clutch Housing, C56, 5 speed		Elise S, '07 MY	A131F6000S	1
03	Transmission Casing, C64, six speed		111R, Elise R, Exige	A120F6034S	1
03a	Transmission Casing, C56, 5 speed		Elise S, '07 MY	A131F6005S	1
04	Transmission End Cover, C64, six speed		111R, Elise R, Exige	A120F6048S	1
05	Receiver, transmission case		Common	A120F6028S	1
06	Bolt, receiver to casing		Common	A120F6027S	1
07	Pipe, oil receiver 1		Common	A120F6039S	1
08	Bolt, pipe to casing		Common	A120F6040S	1
09	Pipe, oil receiver 2		111R, Elise R, Exige	A120F6050S	1
09a	Pipe, oil receiver 2		Elise S, '07 MY	A131F6027S	1
10	Bolt, pipe to casing			A120F6040S	1
11	Plug, casing upper		Common	A120F6166S	1
12	Switch, reverse lamp	Includes sealing washer	Common	A120F6239S	1
13	Cover, flywheel/clutch housing, C64 6 speed		111R, Elise R, Exige	A120F6248S	1

ELISE

Function Code: 47.03, Page: 1

Updated 1st July 2014

Function Code 47.03 Transmission Assembly

<u>Dep</u>	<u>Part Description</u>	<u>Remarks</u>	<u>Option</u>	<u>Part Number</u>	<u>Qty</u>
13a	Cover, flywheel/clutch housing, C56 5 speed		Elise S, '07 MY	A131E6005H	1
14	Ball Assembly, locking			A120F6161S	1
15	Bolt, M12 x 55, flg. hd., clutch housing to engine		Common	A120F6246S	2
16	Cover, speedo drive		Common	A120F6244S	1
17	Bolt, cover to casing			A120F6245S	1
18	'O' Ring, cover to casing		Common	A120F6254S	1
19	Gaiter, clutch release arm		Common	A120Q6005S	1
20	Magnet, swarf attraction		Common	A120F6030S	1
21	Dowel, clutch housing to casing		Common	A120E6196S	1
22	Plug, casing lower		Common	A120F6166S	1
23	Sealing Washer		Common	A120F6043S	1
24	Plug			A120F6049S	1
25	Sealing Washer		Common	A120F6043S	1
26	Bolt, casing to clutch housing			A120F6031S	13
27	Dowel, casing to rear cover			A120F6046S	1
28	Plug, gearbox oil filler			A120F6049S	1
29	Sealing Washer			A120F6043S	1
30	Plug, gearbox oil drain			A120F6041S	1
31	Sealing Washer, drain plug			A120F6043S	1
32	Bolt, end cover to casing			A120F6047F	9
33	Bolt, M10 x 65, hex. hd., clutch housing to engine/starter	With wavy washer	Common	A120E6402S	2

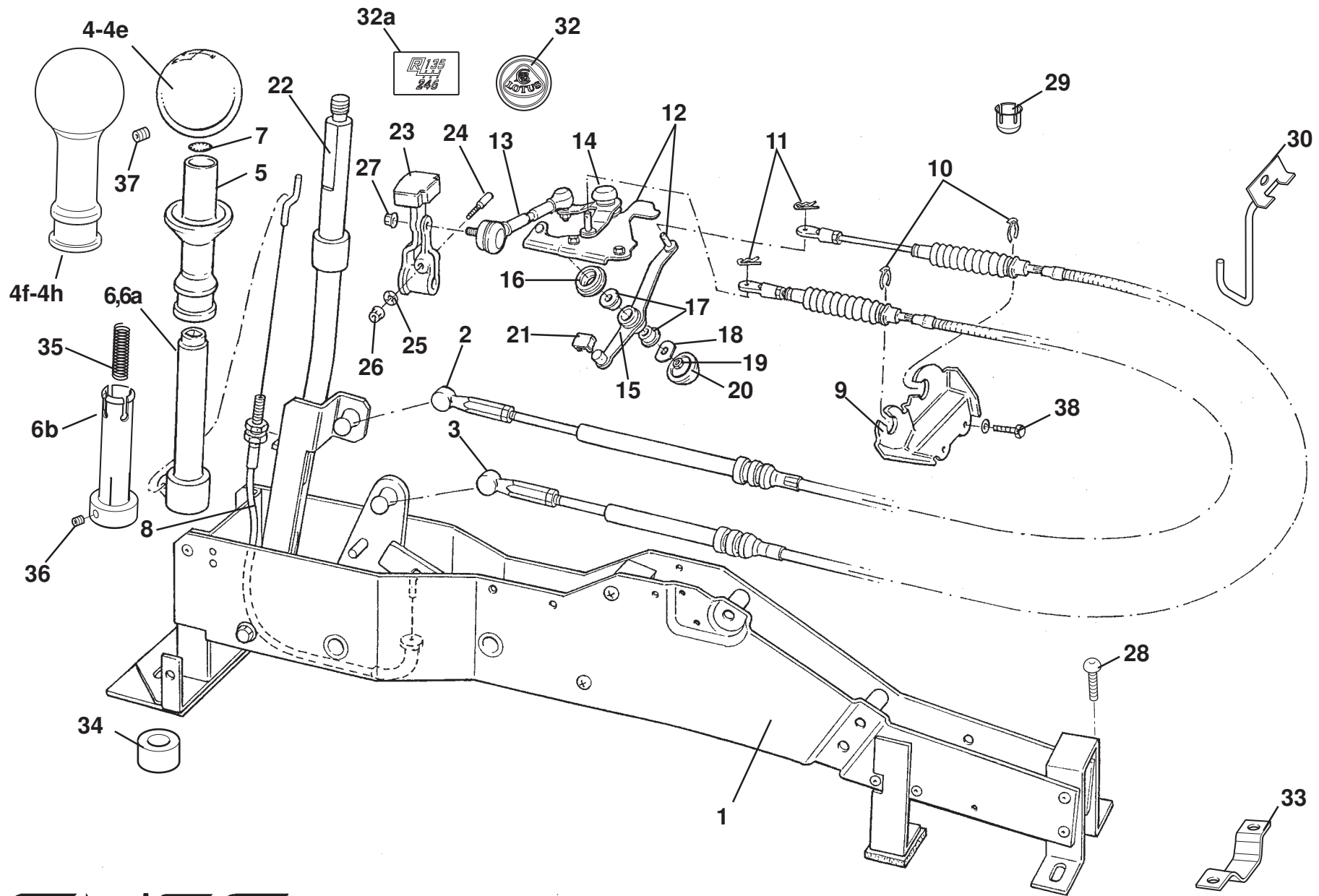
ELISE

Function Code: 47.03, Page: 2

Updated 1st July 2014

Function Code 47.03 Transmission Assembly

<u>Dep</u>	<u>Part Description</u>	<u>Remarks</u>	<u>Option</u>	<u>Part Number</u>	<u>Qty</u>
34	Bolt, M10 x 55, hex. hd., engine to clutch housing	With flat washer		A120F6247S	2
35	Bolt, M10 x 30, flg. hd., sump to clutch housing		Common	A120E6380S	2
36	Transmission End Cover, C56 5 speed		Elise S, '07 MY	A131F6004S	1
37	Sealing Washer, switch			A120F6043S	1
38	Gasket Set, transmission overhaul	Not illustrated	111R, Elise R, Exige	A120F6002S	1
39	Jointing Compound, transmission end cover	Not illustrated	Common	A120F6260S	1



ELISE
47.05

Updated 3rd January 2017

Service Parts List **ELISE**



Function Code 47.05 Gearchange Mechanism, External

<u>Dep</u>	<u>Part Description</u>	<u>Remarks</u>	<u>Option</u>	<u>Part Number</u>	<u>Qty</u>
01	Gearshift/Parking Brake Assembly, 6 speed, 2ZZ, RHD	Teleflex Morse, external lift cable, 10mm shaft thread**	D120F0004F R/B	E120F0004F	1
01a	Gearshift/Parking Brake Assembly, 6 speed, 2ZZ, LHD	Teleflex Morse, external lift cable, 10mm shaft thread**	D120F0001F R/B	E120F0001F	1
01b	Gearshift/Parking Brake Assembly, 5 speed, 1ZZ, RHD	Teleflex Morse, 10mm shaft thread**	Elise S, up to May 07	A131F0002F	1
01c	Gearshift/Parking Brake Assembly, 5 speed, 1ZZ, LHD	Teleflex Morse, 10mm shaft thread**	Elise S, up to May 07	A131F0001F	1
01d	Gearshift/Parking Brake Assembly, 6 speed, 2ZZ, RHD	Cofle, internal lift mechanism, 12mm shaft thread	From May '07 approx.	A120F0010F	1
01e	Gearshift/Parking Brake Assembly, 6 speed, 2ZZ, LHD	Cofle, internal lift mechanism, 12mm shaft thread	From May '07 approx.	B120F0011F	1
01f	Gearshift/Parking Brake Assembly, 5 speed, 1ZZ, RHD	Cofle, 12mm shaft thread	Elise S, from May '07	B131F0002F	1
01g	Gearshift/Parking Brake Assembly, 5 speed, 1ZZ, LHD	Cofle, 12mm shaft thread	Elise S, from May '07	B131F0001F	1
02	Cable, gearshift, Telflex Morse	Black	Prior to May '07 approx.	A120F0003H	1
02a	Cable, gearshift, Cofle	Blue or grey	From May '07 approx.	B120F0003S	1
03	Cable, crossgate, Telflex Morse	Black	Prior to May '07	A120F0002H	1
03a	Cable, crossgate, Cofle	Blue or grey	From May '07	B120F0002S	1
04	Gearknob, six speed, 10mm thread, round lever	Teleflex Morse, external lift cable.		C120U0012F	1
04a	Gearknob Assembly, six speed, leather, 10mm thread	Teleflex Morse, external lift cable.	Optional '06 MY	A120U0061J	1
04b	Gearknob, six speed, 12mm thread, Cofle change	Cofle, internal lift mechanism		D120U0012F	1

ELISE

Function Code: 47.05, Page: 1

Updated 3rd January 2017

Function Code 47.05 Gearchange Mechanism, External

<u>Dep</u>	<u>Part Description</u>	<u>Remarks</u>	<u>Option</u>	<u>Part Number</u>	<u>Qty</u>
04c	Gearknob, six speed, hexagonal lever, 8mm thread	Teleflex Morse, external lift cable.	A120U0012F R/B	B120U0012F	1
04d	Gearknob, six speed, carbon grey, 12mm thread	Cofle, internal lift mechanism	Exige option	A120U0146F	1
04e	Gearknob, six speed, wooden		Clark Type 25 SC	BLS3V0070F	1
04f	Gearknob, five speed, 10mm thread	Teleflex Morse	Elise S up to May 07	A131U0001F	1
04g	Gearknob, five speed, 12mm thread	Cofle, internal lift mechanism	Elise S, from May '07	B131U0001F	1
04h	Gearknob, five speed, carbon grey, 12mm thread	Cofle, internal lift mechanism	Elise Club Racer '10 MY	A120U0148F	1
04i	Gearknob Assembly (including lift tube)	Not illustrated	Gulf States	C132U0210J	1
05	Lift Tube, reverse select, round lever	From approx. Feb '05	111R, Elise R, Exige	B120U0017F	1
05a	Lift Tube, reverse select, carbon grey, round lever		Optional	A120U0147F	1
05b	Lift Tube, reverse select, hexagonal lever	Prior approx. Feb '05 *	111R, Elise R, Exige	A120U0017F	1
06	Lift Tube Adaptor, lift tube to cable, round lever	From approx. 'Feb '05	111R, Elise R, Exige	A120F6259S	1
06a	Lift Tube Adaptor, lift tube to cable, hexagonal lever	Prior approx. Feb '05 *	111R, Elise R, Exige	A120F6257S	1
06b	Lift Tube Adaptor, lift tube to mechanism	6 speed Cofle type only	Elise R, Exige	A120F6274S	1
07	Retaining Washer, lift tube to adaptor, round lever	From approx. Feb '05	111R, Elise R, Exige	B120W6770F	1
07a	Retaining Washer, lift tube to adaptor, hexagonal lever	Prior approx. Feb '05 *	111R, Elise R, Exige	A120W6770F	1
08	Cable, reverse select	For gearshift assy., 01, 01a	111R, Elise R, Exige	A120F6258S	1
09	Abutment, tranmission casing		1ZZ, 2ZZ	A120F6241S	1
10	'C' Clip, cables to abutment		Common	A082F6577S	2
11	'R' Clip, cables to levers		Common	A075W6175Z	2
12	Crank Assembly, shift & select		Common	A120F6167S	1
13	Control Shaft, select		Common	A120F6168S	1

ELISE

Function Code: 47.05, Page: 2

Updated 3rd January 2017

Function Code 47.05 Gearchange Mechanism, External

<u>Dep</u>	<u>Part Description</u>	<u>Remarks</u>	<u>Option</u>	<u>Part Number</u>	<u>Qty</u>
14	Dust Cover, crank pivot		Common	A120F6170S	1
15	Crank Assembly, shift		Common	A120F6169S	1
16	Dust Cover, crank to bracket		Common	A120F6172S	2
17	Bush, crank pivot		Common	A120F6174S	2
18	Washer Plate, crank pivot		Common	A120F6173S	1
19	Nut, crank to shaft		Common	A120F6175S	1
19a	Washer, spring, crank to shaft		Common	A120F6176S	1
20	Dust Cover, crank pivot		Common	A120F6171S	1
21	Dust Cover, crank to selector		Common	A120F6177S	1
22	Gear Lever, Teleflex Morse 6sp, 10mm shaft thread, RHD, 2ZZ	External lift cable, Service replacement, use tool item 30*	111R, Elise R, Exige	A120F0008S	1
22a	Gear Lever, Teleflex Morse 6sp, 10mm shaft thread, LHD, 2ZZ	External lift cable,, Service replacement, use tool item 30*	111R, Elise R, Exige	A120F0009S	1
22b	Gear Lever, Cofle, 6sp ,12mm shaft thread, RHD, 2ZZ	Cofle, internal lift mechanism	111R, Elise R, Exige	A120F0016S	1
22c	Gear Lever, Cofle, 6sp, 12mm shaft thread, LHD, 2ZZ	Cofle, internal lift mechanism	111R, Elise R, Exige	A120F0017S	1
22d	Gear Lever, Cofle, 5sp, 12mm shaft thread, RHD, 1ZZ		From May '07 approx.	A131F4002S	1
22e	Gear Lever, Cofle, 5sp, 12mm shaft thread, LHD, 1ZZ		From May '07 approx.	A131F4001S	1
22f	Gear Lever, Teleflex Morse 5sp,10mm shaft thread 1ZZ LHD,RHD			Not Available	
23	Lever, control shift		Common	A120F6196S	1
24	Pin, lever clamping		Common	A120F6195S	1
25	Washer, wavy, lever to nut		Common	A120F6176S	1

ELISE

Function Code: 47.05, Page: 3

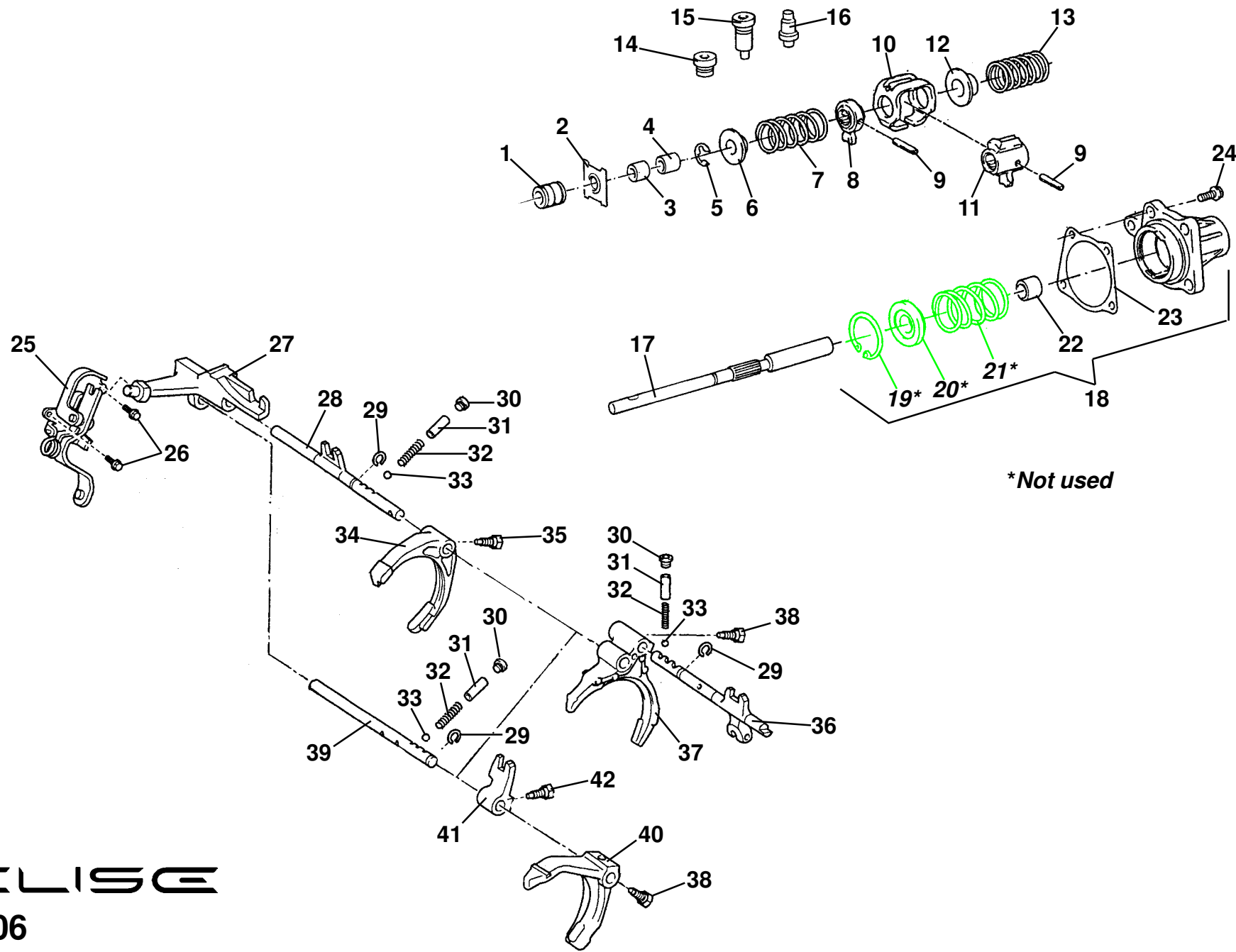
Updated 3rd January 2017

Function Code 47.05 Gearchange Mechanism, External

<u>Dep</u>	<u>Part Description</u>	<u>Remarks</u>	<u>Option</u>	<u>Part Number</u>	<u>Qty</u>
26	Nut, flange, lever clamping		Common	A120F6175S	1
27	Nut, flange, lever to control shaft balljoint		Common	A120F6194S	1
28	Screw, M8 x 20, skt. button hd., assembly rear to chassis			A075W7022Z	2
29	Select Bearing Socket			A120F6263S	1
30	Guide, gearshift cables	Bolted to transmission		A120F0005F	1
31	Tool, gear lever bush guide	Not illus. For gear lever replacement: See Service Notes section FJ		A120U0054S	1
32	Decal, Lotus logo	For item 04a	Half leather knob	LOTAC05276	1
32a	Decal, gearshift 6sp	For item 04i	Gulf States	A120U0063F	1
33	Retainer, gearchange cables	On shear panel		A116F0013F	1
34	Spacer, gearshift asm, chassis	Cofle type only		A120F0015F	1
35	Spring, gear lever lift tube	Cofle type only		A132F0191S	1
36	Grub Screw, lift tube retention	Cofle type only		A120F0028S	1
37	Knurl Point Grub Screw, M5 x 16, knob to lever	Order with knob	Common	A120W5292F	1
38	Bolt, cable abutment		1ZZ, 2ZZ	A120F6242S	1

*Replaces hexagonal lever, see Service Bulletin 2006/1R

**Teleflex Morse assembly now replaced by Cofle assembly also order Cofle gear knob & lift tube items 04b & 05



ELISE
47.06

2010/01

Service Parts List **ELISE**



Function Code 47.06 Gear Selector Mechanism, Internal

<u>Dep</u>	<u>Part Description</u>	<u>Remarks</u>	<u>Option</u>	<u>Part Number</u>	<u>Qty</u>
01	Seal, outer, shaft to casing			A120F6036S	1
02	Dust Boot, inner, shaft to casing			A120F6197S	1
03	Bush, select/shift shaft			A120F6256S	1
04	Bearing, needle roller			A120F6037S	1
05	Retainer, 'E' ring, spring seat			A120F6186S	1
06	Seat, select spring no.2			A120F6183S	1
07	Spring, select return, no. 2			A120F6185S	1
08	Lever, shift inner no.2			A120F6180S	1
09	Pin, slotted spring			A120F6184S	2
10	Plate, shift interlock			A120F6182S	1
11	Lever, shift inner no.1			A120F6179S	1
12	Seat, select spring no.1			A120F6187S	1
13	Spring, selec return no.1			A120F6191S	1
14	Plug, reverse restrict pin			A120F6201S	1
15	Ball Assembly, lock no.1			A120F6161S	1
16	Plug, transmission breather			A120F6038S	1
17	Shaft, shift & select			A120F6181S	1
18	Cover Assembly, control shaft	Incl. Items 19, 20, 21, not used		A120F6188S	1

ELISE

Function Code: 47.06, Page: 1

Updated 18th August 2011

Function Code 47.06 Gear Selector Mechanism, Internal

<u>Dep</u>	<u>Part Description</u>	<u>Remarks</u>	<u>Option</u>	<u>Part Number</u>	<u>Qty</u>
19	Snap Ring, support to case	Not used on Lotus		A120F6192S	1
20	Seat, select spring no.3	Not used on Lotus		A120F9189S	1
21	Spring, shift/select shaft	Not used on Lotus		A120F6193S	1
22	Bush, select/shift shaft			A120F6255S	1
23	Gasket, cover to case			A120F6190S	1
24	Bolt, hex. flg. hd., cover to case			A120F6159S	4
25	Reverse Shift Arm/Bracket Assembly			A120F6152S	1
26	Screw, bracket to casing			A120F6153S	2
27	Reverse Shift Fork			A120F6200S	1
28	Shaft, gear shift fork, No. 3, 5th/6th			A120F6199S	1
29	Snap ring, external, shift shafts			A120F6158S	3
30	Plug, shift detent assy.			A120F6163S	3
31	Spring Seat, shift detent			A120F6162S	3
32	Spring, shift detent			A120F6165S	3
33	Detent Ball			A120F6164S	3
34	Gear Shift Fork, No. 3, 5th/6th			A120F6202S	1
35	Screw, fork to shaft			A120F6157S	1
36	Shaft, gear shift fork, No. 1, 1st/2nd			A120F6151S	1
37	Gear Shift Fork, No. 1, 1st/2nd			A120F6154S	1
38	Bolt, hex, hd., forks to shaft			A120F6157S	2
39	Shaft, gear shift fork, No. 2, 3rd/4th			A120F6198S	1

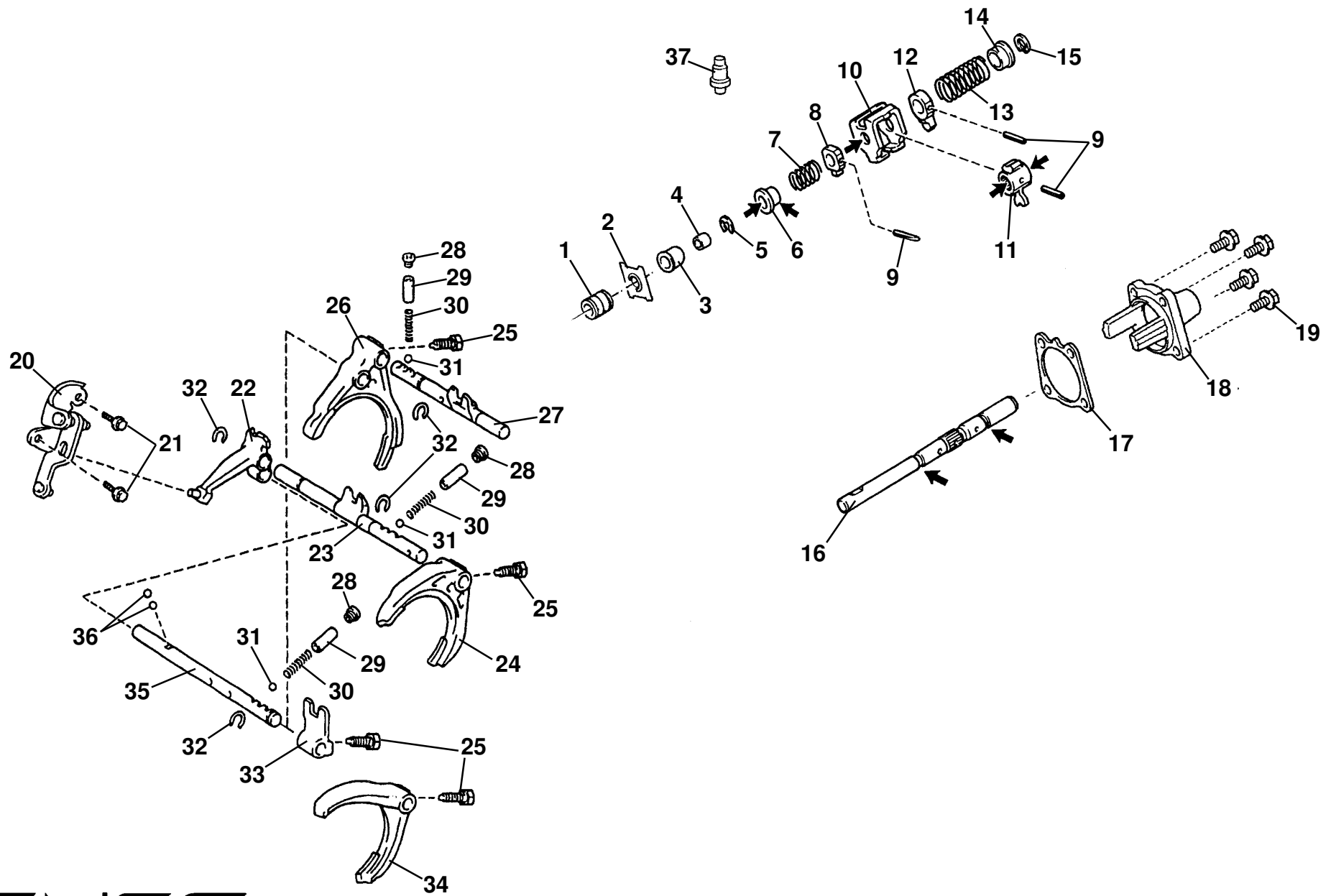
ELISE

Function Code: 47.06, Page: 2

Updated 18th August 2011

Function Code 47.06 Gear Selector Mechanism, Internal

<u>Dep</u>	<u>Part Description</u>	<u>Remarks</u>	<u>Option</u>	<u>Part Number</u>	<u>Qty</u>
40	Gear Shift Fork, No. 2, 3rd/4th			A120F6155S	1
41	Gear Shift Head, No. 1			A120F6156S	1
42	Bolt, hex, hd., head to shaft			A120F6157S	1



ELISE
47.06a

2010/01

Service Parts List **ELISE**



Function Code 47.06a Gear Selector Mechanism, Internal, 5 speed

<u>Dep</u>	<u>Part Description</u>	<u>Remarks</u>	<u>Option</u>	<u>Part Number</u>	<u>Qty</u>
01	Seal, outer shaft to casing			A120F6036S	1
02	Dust Boot, inner shaft to casing			A120F6197S	1
03	Bush, select/shift shaft			A120F6256S	1
04	Bearing, needle roller			A120F6037S	1
05	Retainer, 'E' ring, spring seat			A120F6186S	1
06	Spring Seat, select spring			A131F6036S	1
07	Spring, select return			A131F6164S	1
08	Lever, shift inner			A131F6031S	1
09	Pin, slotted spring			A120E6201S	1
10	Plate, shift interlock			A131F6034S	1
11	Lever, shift inner			A131F6030S	1
12	Lever, select inner			A131F6032S	1
13	Spring, select return			A120F6193S	1
14	Spring Seat, select spring			A131F6035S	1
15	Snap Ring			A131F6067S	1
16	Shaft, shift & select			A131F6033S	1
17	Gasket, cover to case			A120F6190S	1
18	Cover, control shaft			A131F6045S	1

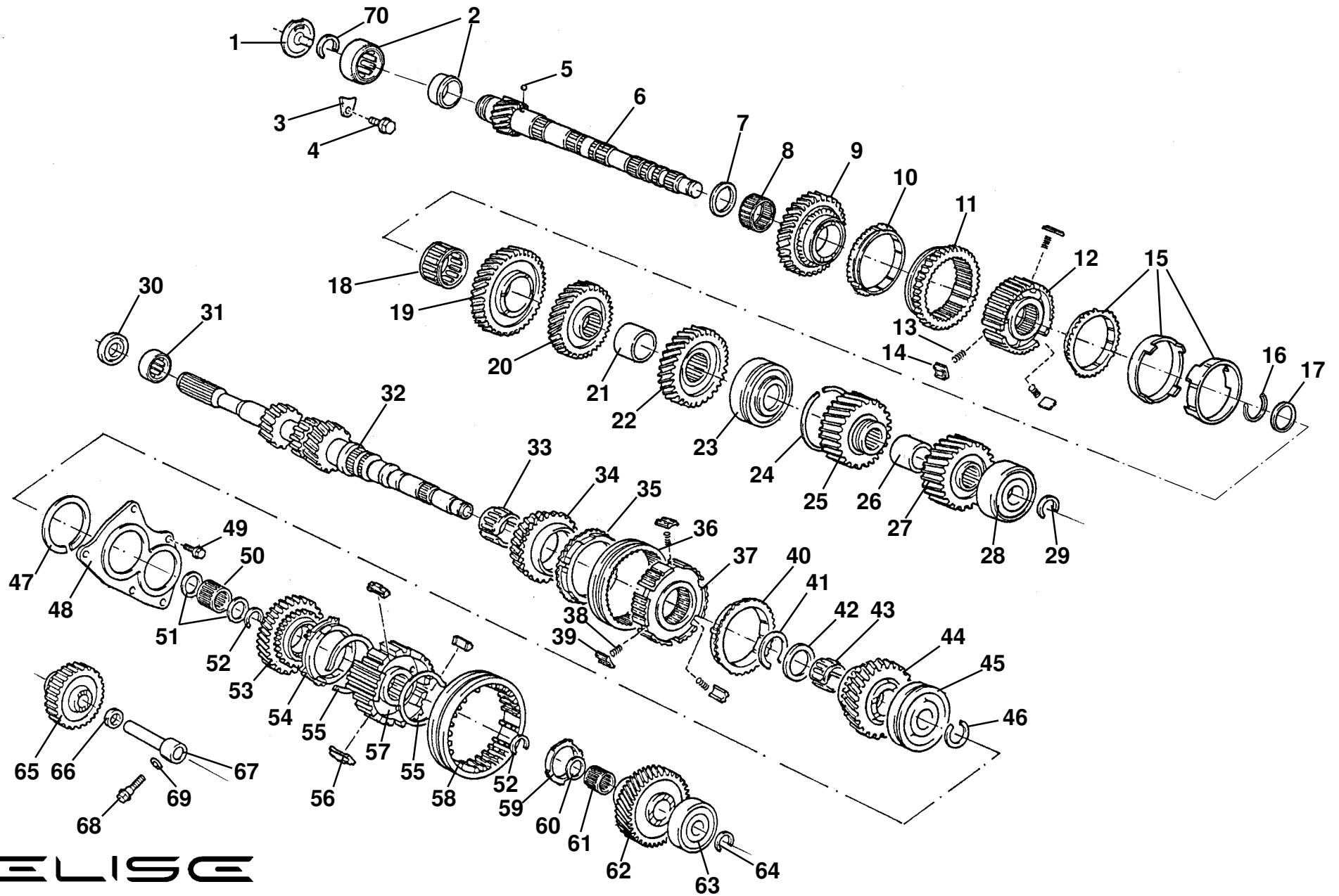
ELISE

Function Code: 47.06a, Page: 1

Updated 27th September 2012

Function Code 47.06a Gear Selector Mechanism, Internal, 5 speed

<u>Dep</u>	<u>Part Description</u>	<u>Remarks</u>	<u>Option</u>	<u>Part Number</u>	<u>Qty</u>
19	Bolt, hex, flg. hd., cover to case			A120F6159S	4
20	Reverse Shift Arm/Bracket Assembly			A131F6029S	1
21	Screw, bracket to casing			A120F6153S	2
22	Reverse Shift Fork			A131F6007S	1
23	Shaft, gear shift fork No. 3, 5th			A131F6009S	1
24	Gear shift Fork, No. 3, 5th			A131F6008S	1
25	Bolt, hex. hd., forks to shaft			A120F6157S	4
26	Gear Shift Fork, No. 1, 1st/2nd			A120F6154S	1
27	Shaft, gear shift fork, No. 1, 1st/2nd			A131F6009S	1
28	Plug, shift detent assy.			A120F6166S	3
29	Spring Seat, shift detent			A120F6162S	3
30	Spring, shift detent			A131F6063S	3
31	Detent Ball			A120F6078S	3
32	Snap Ring			A120F6158S	1
33	Gear Shift Head, No. 1			A131F6028S	1
34	Gear Shift Fork, No. 2, 3rd/4th			A120F6155S	1
35	Shaft, gear shift fork, No. 2, 3rd/4th			A120F6198S	1
36	Detent Ball			A131F6056S	2
37	Plug, tranmission breather			A120F6038S	1



ELISE
47.07

2010/01

Service Parts List **ELISE**



Function Code 47.07 Gears, Shafts & Bearings

<u>Dep</u>	<u>Part Description</u>	<u>Remarks</u>	<u>Option</u>	<u>Part Number</u>	<u>Qty</u>
01	Cover, output shaft			A120F6029S	1
02	Bearing, roller, output shaft front			A120F6007S	1
03	Plate, bearing retention			A120F6026S	1
04	Bolt, plate to casing			A120F6027S	1
05	Ball, output shaft			A120F6078S	1
06	Output Shaft			A120F6203S	1
07	Thrust Washer, 1st gear			A120F6077S	1
08	Bearing, needle roller, 1st gear			A120F6016S	1
09	1st Gear, driven			A120F6141S	1
10	Synchro Ring, 1st gear			A120F6074S	1
11	Reverse Gear, driven			A120F6071S	1
12	Synchro Hub, No. 1, 1st/2nd			A120F6072S	1
13	Spring, synchro key			A120F6076S	3
14	Synchro Key			A120F6073S	3
15	Synchro Ring Set, 2nd gear			A120F6075S	1
16	Snap Ring, hub to shaft, A, 2.50mm			A120F6082S	1
16a	Snap Ring, hub to shaft, B, 2.56mm			A120F6083S	1
16b	Snap Ring, hub to shaft, C, 2.62mm			A120F6084S	1

ELISE

Function Code: 47.07, Page: 1

2010/01

Function Code 47.07 Gears, Shafts & Bearings

<u>Dep</u>	<u>Part Description</u>	<u>Remarks</u>	<u>Option</u>	<u>Part Number</u>	<u>Qty</u>
16c	Snap Ring, hub to shaft, D, 2.68mm			A120F6085S	1
16d	Snap Ring, hub to shaft, E, 2.74mm			A120F6086S	1
16e	Snap Ring, hub to shaft, F, 2.80mm			A120F6087S	1
17	Spacer, 2nd gear bearing			A120F6014S	1
18	Bearing, needle roller, 2nd gear			A120F6013S	1
19	2nd Gear, driven			A120F6142S	1
20	3rd Gear, driven			A120F6144S	1
21	Spacer, output shaft			A120F6079S	1
22	4th Gear, driven			A120F6146S	1
23	Bearing, ball, output shaft centre			A120F6008S	1
24	Snap Ring, bearing retention			A120F6081S	1
25	5th Gear, driven			A120f6148S	1
26	Spacer, output gear			A120F6080S	1
27	6th Gear, driven			A120F6150S	1
28	Bearing, ball, output shaft rear			A120F6009S	1
29	Snap Ring, bearing to shaft, rear, B, 2.31mm			A120F6121S	1
29a	Snap Ring, bearing to shaft, rear, C, 2.37mm			A120F6122S	1
29b	Snap Ring, bearing to shaft, rear, D, 2.43mm			A120F6123S	1
29c	Snap Ring, bearing to shaft, rear, E, 2.49mm			A120F6124S	1
29d	Snap Ring, bearing to shaft, rear, F, 2.55mm			A120F6125S	1
29e	Snap Ring, bearing to shaft, rear, G, 2.61mm			A120F6126S	1

Function Code 47.07 Gears, Shafts & Bearings

<u>Dep</u>	<u>Part Description</u>	<u>Remarks</u>	<u>Option</u>	<u>Part Number</u>	<u>Qty</u>
29f	Snap Ring, bearing to shaft, rear, H, 2.67mm			A120F6127S	1
29g	Snap Ring, bearing to shaft, rear, J, 2.73mm			A120F6128S	1
29h	Snap Ring, bearing to shaft, rear, K, 2.79mm			A120F6129S	1
29i	Snap Ring, bearing to shaft, rear, L, 2.85mm			A120F6130S	1
29j	Snap Ring, bearing to shaft, rear, M, 2.91mm			A120F6131S	1
30	Oil Seal, input shaft front			A120F6023S	1
31	Bearing, roller, input shaft front			A120F6004S	1
32	Input Shaft			A120F6140S	1
33	Bearing, needle roller, 3rd gear			A120F6015S	1
34	3rd Gear			A120F6143S	1
35	Synchro Ring, 3rd gear			A120F6056S	1
36	Synchro Sleeve, No. 2, 3rd/4th			A120F6053S	1
37	Synchro Hub, No. 2, 3rd/4th			A120F6052S	1
38	Spring, synchro key, No. 2			A120F6057S	3
39	Synchro Key, No. 2			A120F6054S	3
40	Synchro Ring, 4th gear			A120F6055S	1
41	Snap Ring, hub to shaft, 0, 2.30mm			A120F6058S	1
41a	Snap Ring, hub to shaft, 1, 2.36mm			A120F6059S	1
41b	Snap Ring, hub to shaft, 2, 2.42mm			A120F6060S	1
41c	Snap Ring, hub to shaft, 3, 2.48mm			A120F6061S	1
41d	Snap Ring, hub to shaft, 4, 2.54mm			A120F6062S	1

Function Code 47.07 Gears, Shafts & Bearings

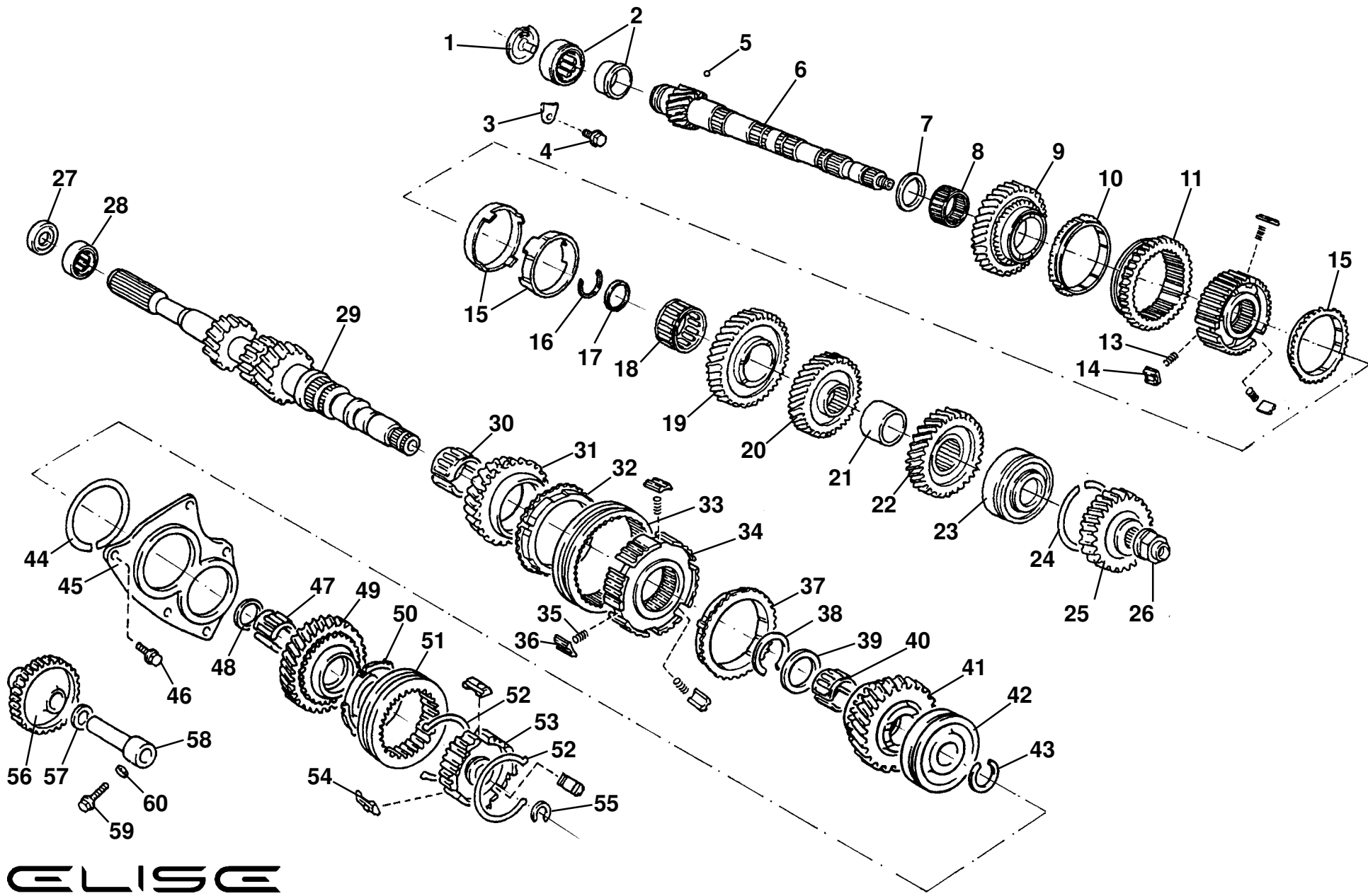
<u>Dep</u>	<u>Part Description</u>	<u>Remarks</u>	<u>Option</u>	<u>Part Number</u>	<u>Qty</u>
41e	Snap Ring, hub to shaft, 5, 2.60mm			A120F6063S	1
42	Spacer			A120F6017S	1
43	Bearing, needle roller, 4th gear			A120F6012S	1
44	4th Gear			A120F6145S	1
45	Bearing, ball, input shaft, centre			A120F6005S	1
46	Snap Ring, bearing to shaft, A, 2.29mm			A120F6064S	1
46a	Snap Ring, bearing to shaft, B, 2.35mm			A120F6065S	1
46b	Snap Ring, bearing to shaft, C, 2.41mm			A120F6066S	1
46c	Snap Ring, bearing to shaft, D, 2.47mm			A120F6067S	1
46d	Snap Ring, bearing to shaft, E, 2.53mm			A120F6068S	1
46e	Snap Ring, bearing to shaft, F, 2.59mm			A120F6069S	1
47	Snap Ring, bearing to casing			A120F6070S	1
48	Retainer, input shaft rear bearing			A120F6044S	1
49	Bolt, retainer to casing			A120F6045S	5
50	Bearing, needle roller, 5th gear			A120F6018S	1
51	Spacer, 5th gear bearing			A120F6019S	1
52	Snap Ring, hub to shaft, A, 1.75mm			A120F6100S	1
52a	Snap Ring, hub to shaft, B, 1.80mm			A120F6101S	1
52b	Snap Ring, hub to shaft, C, 1.85mm			A120F6102S	1
52c	Snap Ring, hub to shaft, D, 1.90mm			A120F6103S	1
52d	Snap Ring, hub to shaft, E, 1.95mm			A120F6104S	1

Function Code 47.07 Gears, Shafts & Bearings

<u>Dep</u>	<u>Part Description</u>	<u>Remarks</u>	<u>Option</u>	<u>Part Number</u>	<u>Qty</u>
52e	Snap Ring, hub to shaft, F, 2.00mm			A120F6105S	1
52f	Snap Ring, hub to shaft, G, 2.05mm			A120F6106S	1
52g	Snap Ring, hub to shaft, H, 2.10mm			A120F6107S	1
52h	Snap Ring, hub to shaft, J, 2.15mm			A120F6108S	1
53	5th Gear			A120F6147S	1
54	Synchro Ring, 5th gear			A120F6093S	1
55	Spring, synchro key			A120F6095S	3
56	Synchro Key			A120F6097S	3
57	Synchro Hub, no. 3, 5th/6th			A120F6096S	1
58	Synchro Sleeve			A120F6098S	1
59	Synchro Ring, 6th gear			A120F6094S	1
60	Spacer, bearing, 6th gear			A120F6021S	1
61	Bearing, needle roller, 6th gear			A120F6020S	1
62	6th gear			A120F6149S	1
63	Bearing, ball, input shaft, rear			A120F6006S	1
64	Snap Ring, bearing to shaft rear, A, 1.70mm			A120F6109S	1
64a	Snap Ring, bearing to shaft rear, B, 1.75mm			A120F6110S	1
64b	Snap Ring, bearing to shaft rear, C, 1.80mm			A120F6111S	1
64c	Snap Ring, bearing to shaft rear, D, 1.85mm			A120F6112S	1
64d	Snap Ring, bearing to shaft rear, E, 1.90mm			A120F6113S	1
64e	Snap Ring, bearing to shaft rear, F, 1.95mm			A120F6114S	1

Function Code 47.07 Gears, Shafts & Bearings

<u>Dep</u>	<u>Part Description</u>	<u>Remarks</u>	<u>Option</u>	<u>Part Number</u>	<u>Qty</u>
64f	Snap Ring, bearing to shaft rear, G, 2.00mm			A120F6115S	1
64g	Snap Ring, bearing to shaft rear, H, 2.05mm			A120F6116S	1
64h	Snap Ring, bearing to shaft rear, J, 2.10mm			A120F6117S	1
64i	Snap Ring, bearing to shaft rear, K, 2.15mm			A120F6118S	1
64j	Snap Ring, bearing to shaft rear, L, 2.20mm			A120F6119S	1
64k	Snap Ring, bearing to shaft rear, M, 2.25mm			A120F6120S	1
65	Reverse Idler Gear			A120F6088S	1
66	Thrust Washer, reverse idler			A120F6090S	1
67	Shaft, reverse idler			A120F6089S	1
68	Bolt, reverse idler retention			A120F6091S	1
69	Gasket, bolt to casing			A120F6092S	1
70	Snap Ring, output shaft front, 1.95mm			A120F6134S	1
70a	Snap Ring, output shaft front, 2.00mm			A120F6135S	1
70b	Snap Ring, output shaft front, 2.05mm			A120F6136S	1
70c	Snap Ring, output shaft front, 2.10mm			A120F6137S	1
70d	Snap Ring, output shaft front, 2.15mm			A120F6138S	1
70e	Snap Ring, output shaft front, 2.20mm			A120F6139S	1



ELISE
47.07a

2010/01

Service Parts List **ELISE**



Function Code 47.07a Gears, Shafts & Bearings, 5 speed

<u>Dep</u>	<u>Part Description</u>	<u>Remarks</u>	<u>Option</u>	<u>Part Number</u>	<u>Qty</u>
01	Cover, output shaft			A120F6029S	1
02	Bearing, roller, output shaft front			A120F6007S	1
03	Plate, bearing retention			A120F6026S	1
04	Bolt, plate to casing			A120F6027S	1
05	Ball, output shaft			A120F6078S	1
06	Output Shaft			A131F6011S	1
07	Thrust Washer, 1st gear			A120F6077S	1
08	Bearing, needle roller, 1st gear			A120F6016S	1
09	1st Gear, driven			A120F6141S	1
10	Synchro Ring, 1st gear			A120F6074S	1
11	Reverse Gear, driven			A120F6071S	1
12	Synchro Ring Hub, No. 1, 1st/2nd			A131F6013S	1
13	Spring, synchro key, No. 1, 1st/2nd			A120F6076S	3
14	Synchro Key, No. 1, 1st/2nd			A131F6040S	3
15	Synchro Ring Set, 2nd gear			A120F6075S	1
16	Snap Ring, hub to shaft, A, 2.50mm			A120F6082S	1
16a	Snap Ring, hub to shaft, B, 2.56mm			A120F6083S	1
16b	Snap Ring, hub to shaft, C, 2.62mm			A120F6084S	1

ELISE

Function Code: 47.07a, Page: 1

Updated 27th September 2012

Function Code 47.07a Gears, Shafts & Bearings, 5 speed

<u>Dep</u>	<u>Part Description</u>	<u>Remarks</u>	<u>Option</u>	<u>Part Number</u>	<u>Qty</u>
16c	Snap Ring, hub to shaft, D, 2.68mm			A120F6085S	1
16d	Snap Ring, hub to shaft, E, 2.74mm			A120F6086S	1
16e	Snap Ring, hub to shaft, F, 2.80mm			A120F6087S	1
17	Spacer, 2nd gear bearing			A120F6014S	1
18	Bearing, needle roller, 2nd gear			A120F6013S	1
19	2nd Gear, driven			A131F6012S	1
20	3rd Gear, driven			A131F6019S	1
21	Spacer, output shaft			A120F6079S	1
22	4th Gear, driven			A131F6018S	1
23	Bearing, ball, output shaft centre			A120F6008S	1
24	Snap Ring, bearing retention			A120F6081S	1
25	5th Gear, driven			A131F6020S	1
26	Locknut, gear to shaft			A131F6196S	1
27	Oil Seal, input shaft front			A120F6023S	1
28	Bearing, roller, input shaft front			A120F6004S	1
29	Input shaft			A131F6010S	1
30	Bearing, needle roller, 3rd gear			A120F6015S	1
31	3rd Gear			A131F6001S	1
32	Synchro Ring, 3rd gear			A120F6056S	1
33	Synchro sleeve, No. 2, 3rd/4th			A120F6053S	1
34	Synchro Hub, No. 2, 3rd/4th			A120F6052S	1

ELISE

Function Code: 47.07a, Page: 2

Updated 27th September 2012

Function Code 47.07a Gears, Shafts & Bearings, 5 speed

<u>Dep</u>	<u>Part Description</u>	<u>Remarks</u>	<u>Option</u>	<u>Part Number</u>	<u>Qty</u>
35	Spring, synchro key, No. 2, 3rd/4th			A120F6043S	1
36	Synchro Key, No. 2, 3rd/4th			A131F6041S	1
37	Synchro Ring, 4th gear			A120F6055S	1
38	Snap ring, hub to shaft, 0, 2.30mm			A120F6058S	1
38a	Snap ring, hub to shaft, 0, 2.36mm			A120F6059S	1
38b	Snap ring, hub to shaft, 0, 2.42mm			A120F6060S	1
38c	Snap ring, hub to shaft, 0, 2.48mm			A120F6061S	1
38d	Snap ring, hub to shaft, 0, 2.54mm			A120F6062S	1
38e	Snap ring, hub to shaft, 0, 2.60mm			A120F6063S	1
39	Spacer			A120F6017S	1
40	Bearing, needle roller, 4th gear			A120F6012S	1
41	4th Gear			A131F6002S	1
42	Bearing, input shaft centre			A131F6023S	1
43	Snap Ring, bearing to shaft, A, 2.29mm			A120F6064S	1
43a	Snap Ring, bearing to shaft, B, 2.35mm			A120F6065S	1
43b	Snap Ring, bearing to shaft, C, 2.41mm			A120F6066S	1
43c	Snap Ring, bearing to shaft, D, 2.47mm			A120F6067S	1
43d	Snap Ring, bearing to shaft, E, 2.53mm			A120F6068S	1
43e	Snap Ring, bearing to shaft, F, 2.59mm			A120F6069S	1
44	Snap Ring, bearing to casing			A120F6070S	1
45	Retainer, input shaft rear bearing			A120F6044S	1

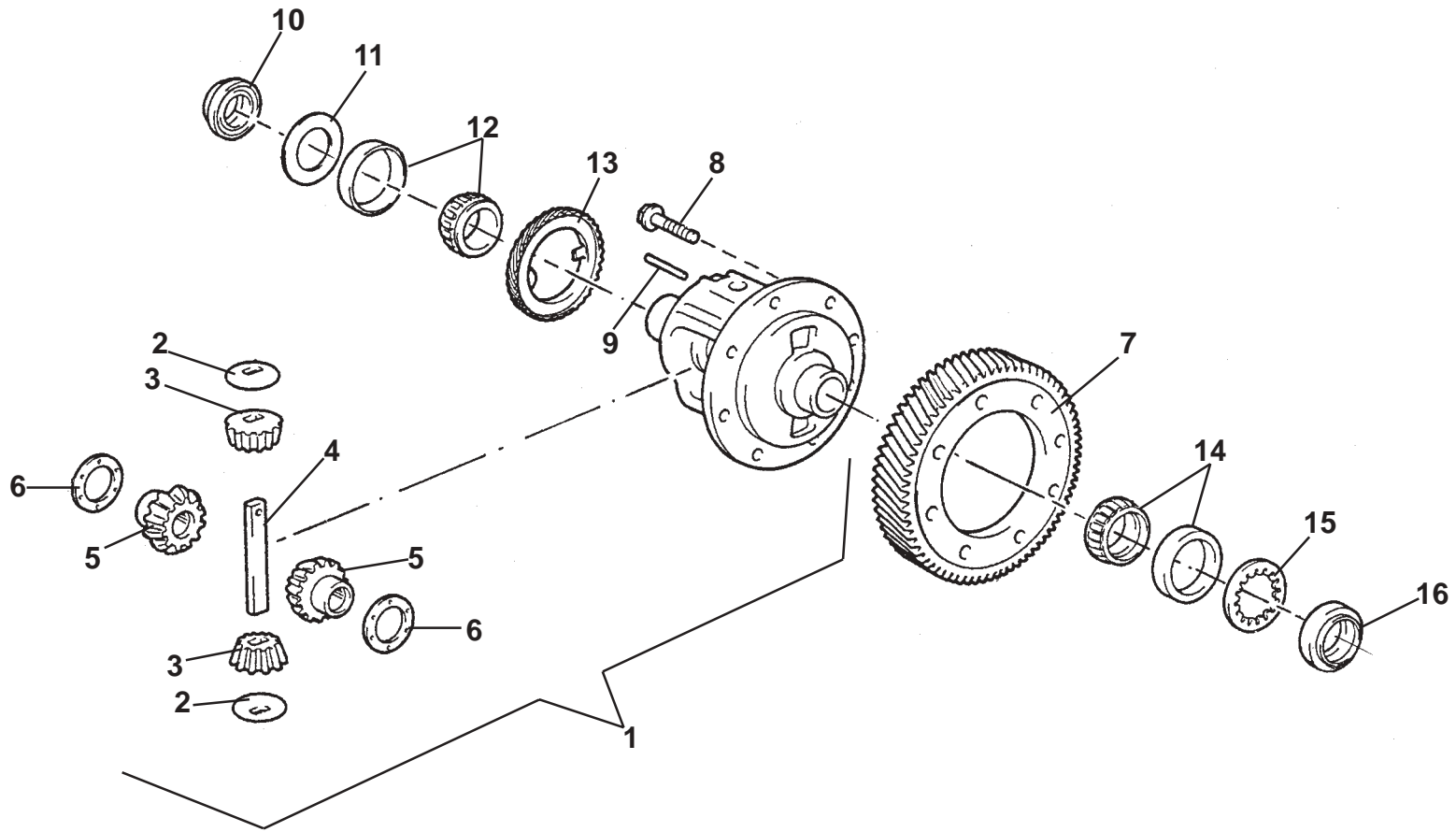
ELISE

Function Code: 47.07a, Page: 3

Updated 27th September 2012

Function Code 47.07a Gears, Shafts & Bearings, 5 speed

<u>Dep</u>	<u>Part Description</u>	<u>Remarks</u>	<u>Option</u>	<u>Part Number</u>	<u>Qty</u>
46	Bolt, retainer to casing			A120F6045S	1
47	Bearing, needle roller, 5th gear			A131F6024S	1
48	Spacer, 5th gear bearing			A131F6069S	1
49	5th Gear			A131F6003S	1
50	Synchro Ring, 5th gear			A131F6014S	1
51	Synchro Sleeve,			A131F6043S	1
52	Spring, synchro key, No. 3, 5th			A120F6095S	2
53	Synchro Hub, No 3, 5th			A131F6015S	1
54	Synchro Key, No. 3, 5th			A131F6044S	3
55	Snap Ring, gears to shaft			A120F6121S	1
55a	Snap Ring, gears to shaft			A120F6122S	1
55b	Snap Ring, gears to shaft			A120F6123S	1
55c	Snap Ring, gears to shaft			A120F6124S	1
55d	Snap Ring, gears to shaft			A120F6125S	1
56	Reverse Idler Gear			A120F6088S	1
57	Thrust washer, reverse idler			A120F6090S	1
58	Shaft, reverse idler			A1206089SF	1
59	Bolt, reverse idler retention			A120F6091S	1
60	Gasket, bolt to casing			A120F6092S	1



ELISE

47.11

2010/01

Function Code 47.11 Final Drive & Bearings

<u>Dep</u>	<u>Part Description</u>	<u>Remarks</u>	<u>Option</u>	<u>Part Number</u>	<u>Qty</u>
01	Differential Assembly	Includes items 2 to 6 + casing	Common	A120F6205S	1
01a	Differential Assembly, limited slip, torsen		Optional, C64 six speed	A120F6262S	1
01b	Differential Assembly, limited slip, plate type	Lotus Sport	Optional, C64 six speed	ALS3F6000F	1
02	Thrust Washer, planet gear		Common	A120F6209S	2
03	Pinion Gear, planet		Common	A120F6206S	2
04	Pinion Shaft		Common	A120F6208S	1
05	Pinion Gear, sun		Common	A120F6207S	2
06	Thrust Washer, sun gear, 0.95mm		Common	A120F6213S	1
06a	Thrust Washer, sun gear, 1.00mm		Common	A120F6210S	2
06b	Thrust Washer, sun gear, 1.05mm		Common	A120F6214S	1
06c	Thrust Washer, sun gear, 1.10mm		Common	A120F6211S	1
06d	Thrust Washer, sun gear, 1.15mm		Common	A120F6215S	1
06e	Thrust Washer, sun gear, 1.20mm		Common	A120F6212S	1
07	Final Drive Gear, C64 six speed		111R, Elise R, Exige	A120F6204S	1
07a	Final Drive gear, C56, five speed		Elise S, '07 MY	A131F6022S	1
08	Bolt, gear to casing		Common	A120F6217S	8
09	Pin, gear to casing		Common	A120F6216S	1
10	Oil Seal, output, RH		Common	A120F6024S	1
11	Spacer, bearing to housing		Common	A120F6218S	1
12	Bearing, taper roller, RH		Common	A120F6011S	1
13	Speedometer Drive Gear		Common	A120F6240S	1

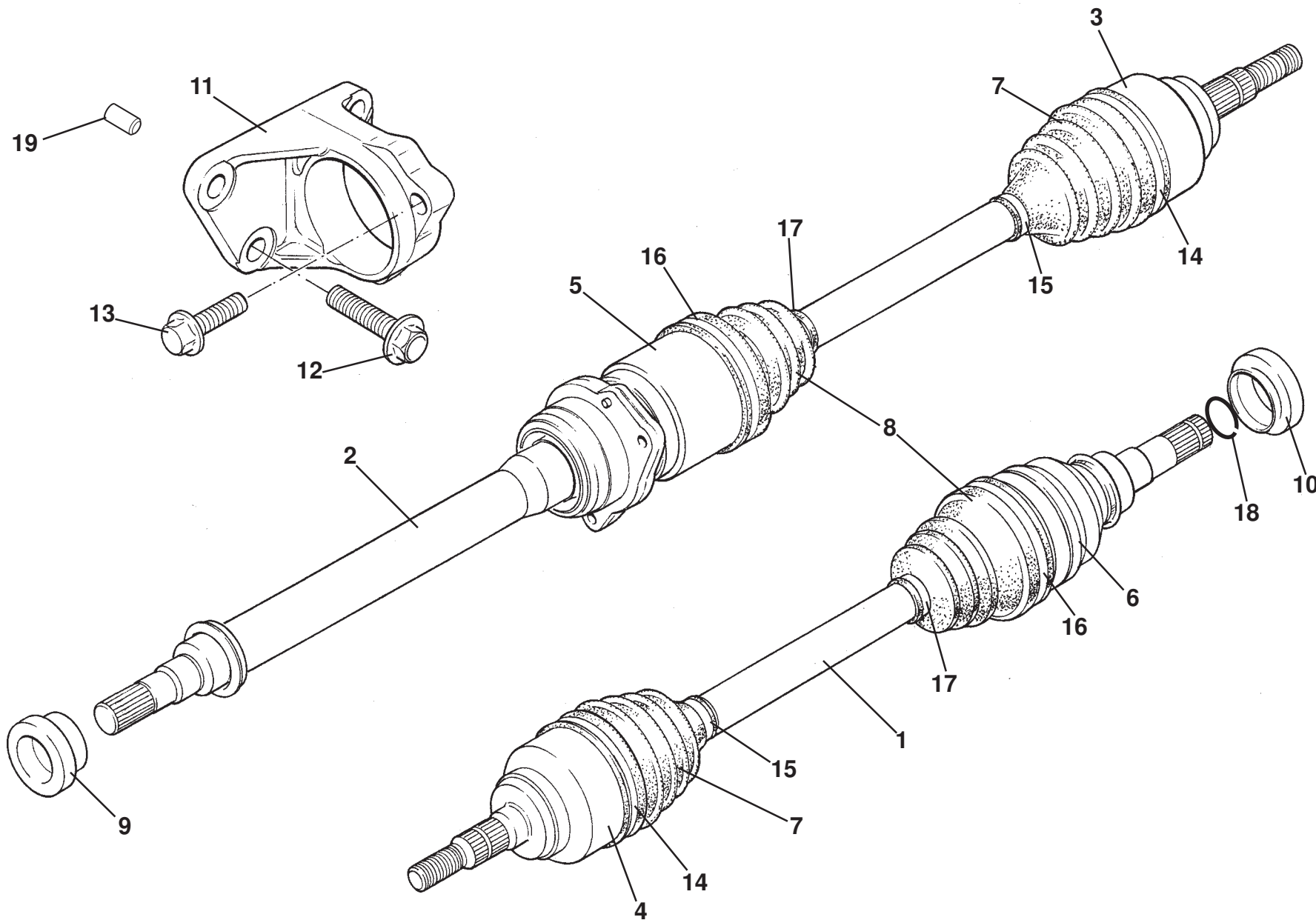
ELISE

Function Code: 47.11, Page: 1

2010/01

Function Code 47.11 Final Drive & Bearings

<u>Dep</u>	<u>Part Description</u>	<u>Remarks</u>	<u>Option</u>	<u>Part Number</u>	<u>Qty</u>
14	Bearing, taper roller, LH		Common	A120F6010S	1
15	Shim, bearing to housing, AA, 2.10mm		Common	A120F6219S	1
15a	Shim, bearing to housing, BB, 2.15mm		Common	A120F6220S	1
15b	Shim, bearing to housing, CC, 2.20mm		Common	A120F6221S	1
15c	Shim, bearing to housing, DD, 2.25mm		Common	A120F6222S	1
15d	Shim, bearing to housing, EE, 2.30mm		Common	A120F6223S	1
15e	Shim, bearing to housing, FF, 2.35mm		Common	A120F6224S	1
15f	Shim, bearing to housing, GG, 2.40mm		Common	A120F6225S	1
15g	Shim, bearing to housing, HH, 2.45mm		Common	A120F6226S	1
15jh	Shim, bearing to housing, JJ, 2.50mm		Common	A120F6227S	1
15i	Shim, bearing to housing, KK, 2.55mm		Common	A120F6228S	1
15j	Shim, bearing to housing, LL, 2.60mm		Common	A120F6229S	1
15k	Shim, bearing to housing, MM, 2.65mm		Common	A120F6230S	1
15l	Shim, bearing to housing, NN, 2.70mm		Common	A120F6231S	1
15m	Shim, bearing to housing, PP, 2.75mm		Common	A120F6232S	1
15n	Shim, bearing to housing, QQ, 2.80mm		Common	A120F6233S	1
15o	Shim, bearing to housing, RR, 2.85mm		Common	A120F6234S	1
15p	Shim, bearing to housing, SS, 2.90mm		Common	A120F6235S	1
15q	Shim, bearing to housing, TT, 2.95mm		Common	A120F6236S	1
15r	Shim, bearing to housing, UU, 3.00mm		Common	A120F6237S	1
16	Oil Seal, ouput, LH		Common	A120F6035S	1



ELISE
47.15

Updated 16th January 2013

Service Parts List **ELISE**



Function Code 47.15 Driveshafts & Seals

<u>Dep</u>	<u>Part Description</u>	<u>Remarks</u>	<u>Option</u>	<u>Part Number</u>	<u>Qty</u>
01	Drive Shaft Assembly, LH			A120D0019F	1
02	Drive Shaft Assembly, RH			A120D0018F	1
03	CV Joint & Shaft Assy., outboard, RH			A120D0017S	1
04	CV Joint & Shaft Assy., outboard, LH			A120D0020S	1
05	CV Joint Assy., inboard, RH			A120D0021S	1
06	CV Joint Assy., inboard, LH			A120D0022S	1
07	Gaiter Kit, outboard CV joint			A120D6002S	2
08	Gaiter Kit, inboard CV joint			A120D6003S	2
09	Oil Seal, output, RH			A120F6024S	1
10	Oil Seal, output, LH			A120F6035S	1
11	Bracket, driveshaft bearing		Common	A120E6410S	1
12	Bolt, M10 x 32, flg. hd., bracket to engine		Common	A120E6412S	3
13	Bolt, flg. hd., shaft assy. to bracket			A120E6411S	2
14	Clip, outboard gaiter, large			A120D6004S	2
15	Clip, outboard gaiter, small			A120D6005S	2
16	Clip, inboard gaiter, large			A120D6006S	2
17	Clip, inboard gaiter, small			A120D6007S	2
18	Circlip, shaft to transmission			A120F6264S	1

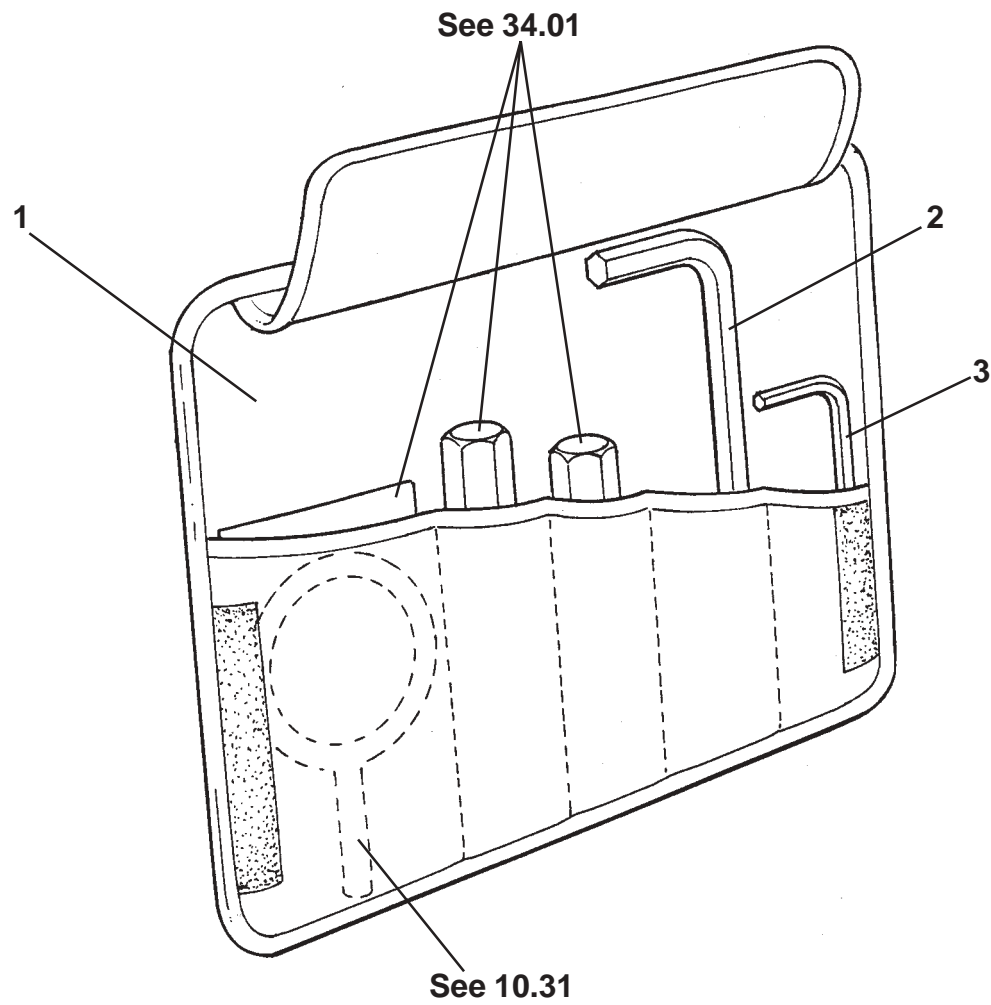
ELISE

Function Code: 47.15, Page: 1

Updated 16th January 2013

Function Code 47.15 Driveshafts & Seals

<u>Dep</u>	<u>Part Description</u>	<u>Remarks</u>	<u>Option</u>	<u>Part Number</u>	<u>Qty</u>
19	Dowel Pin, 14mm x 6mm O/D, bracket to engine		111R, Elise R, Exige	A120E6141S	2



ELISE

60.01

2010/01

Service Parts List **ELISE**



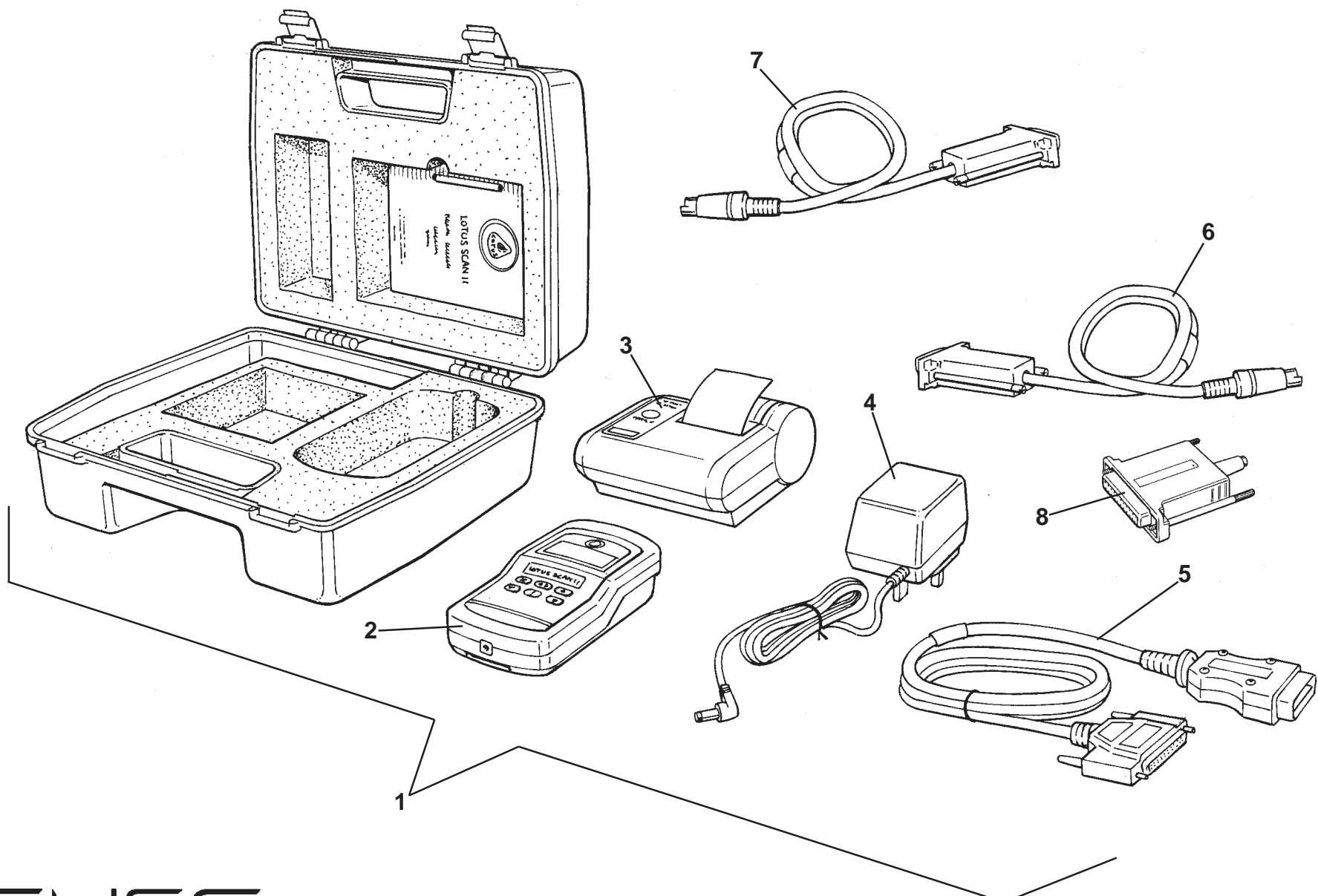
Function Code 60.01 Tool Kit

<u>Dep</u>	<u>Part Description</u>	<u>Remarks</u>	<u>Option</u>	<u>Part Number</u>	<u>Qty</u>
01	Tool Kit	Includes items: 2,3, towing eye & wheel bolt adaptor		A117T0009S	1
02	Allen Key, M5 x 160			A117T6001H	1
03	Allen Key, M3 x 63			A117T6002H	1
04	Tool, torx screw fixing (M6 & M8)	Not illustrated	Hardtop	B116V6001F	1
05	Hex Ball Driver, 4mm	Not illustrated	2011MY	A120T6005F	1

ELISE

Function Code: 60.01, Page: 1

Updated 5th October 2011



ELISE
60.01a

Service Parts List **ELISE**



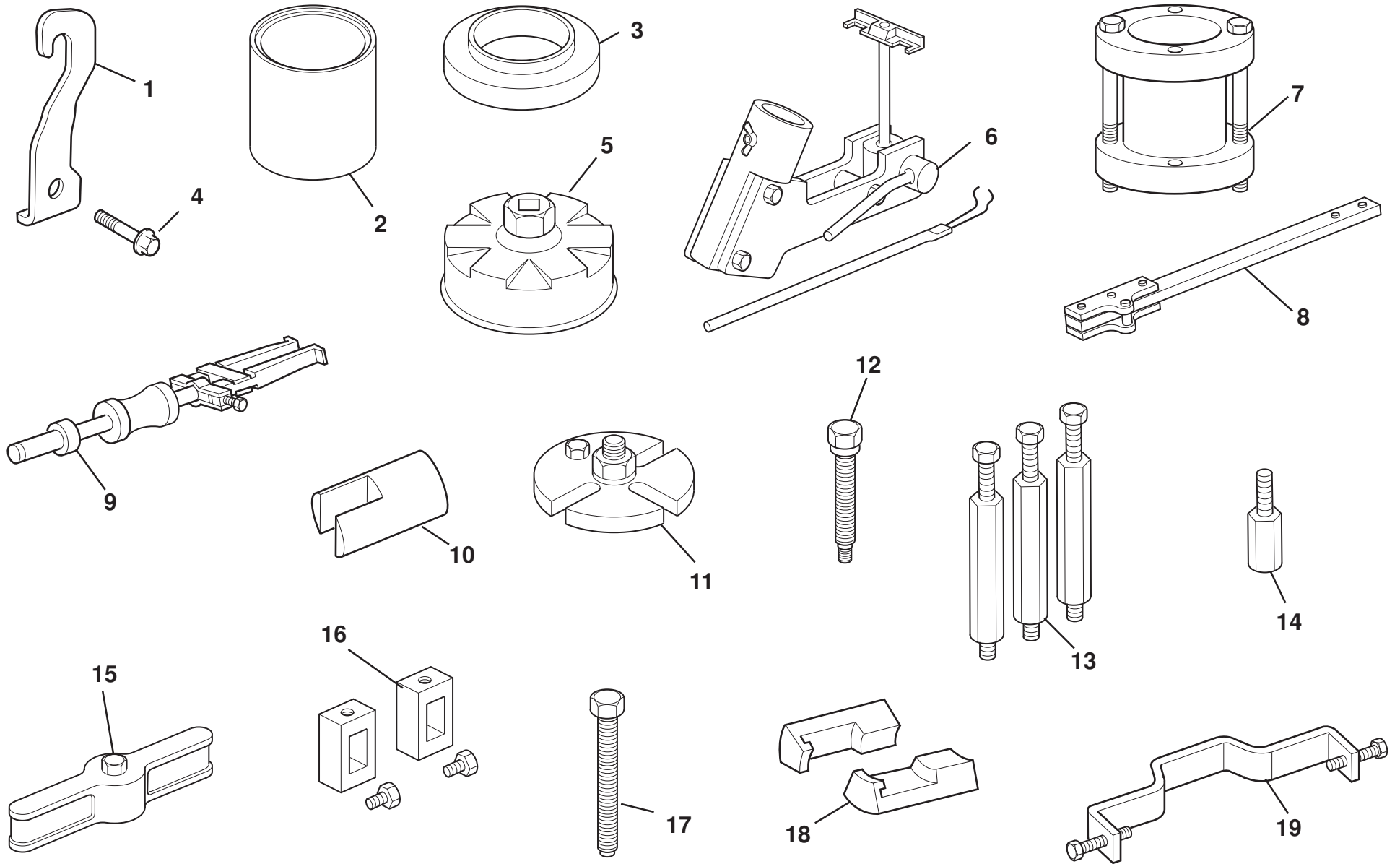
Function Code 60.01a Diagnostic Equipment

<u>Dep</u>	<u>Part Description</u>	<u>Remarks</u>	<u>Option</u>	<u>Part Number</u>	<u>Qty</u>
01	Lotus Scan III Kit			T000T1467F	1
02	Lotus Scan III, scanner tool			T000T1426F	1
03	Printer			T000T1419F	1
04	Transformer, printer or scanner power supply	Adaptor lead R/B item 8		T000T1427F	1
05	Lead, scanner to car, blue			T000T1457F	1
06	Lead, scanner to printer			T000T1429F	1
07	Lead, scanner to PC			T000T1430F	1
08	Adaptor, transformer to scanner			T000T1436F	1
09	Plug Adaptor, Euro, transformer	Not illus., UK to European plug		T000T1421F	1
10	Scan III update CD, '06 all territories	Not illustrated	'06 MY	T000T1470F	1
11	Techcentre Evora Installation Disc	All models except Europa	'08 MY	T000T1510F	1
12	Kit, Vehicle Communication Device	Not illus. Incl. leads (yellow, 2x USB) and case	'08 MY	T000T1472F	1
13	Lead, T4e Programming Lead, green	Not illustrated, for Techcentre	'04 MY-'07MY	T000T1522F	1
14	Lead, T4e Programming Lead, yellow	Not illustrated, for Techcentre	'08 MY	T000T1497F	1
15	Lead, Vehicle Communication Device (VCD) to PC	Not illustrated, for Techcentre		T000T1537F	1

ELISE

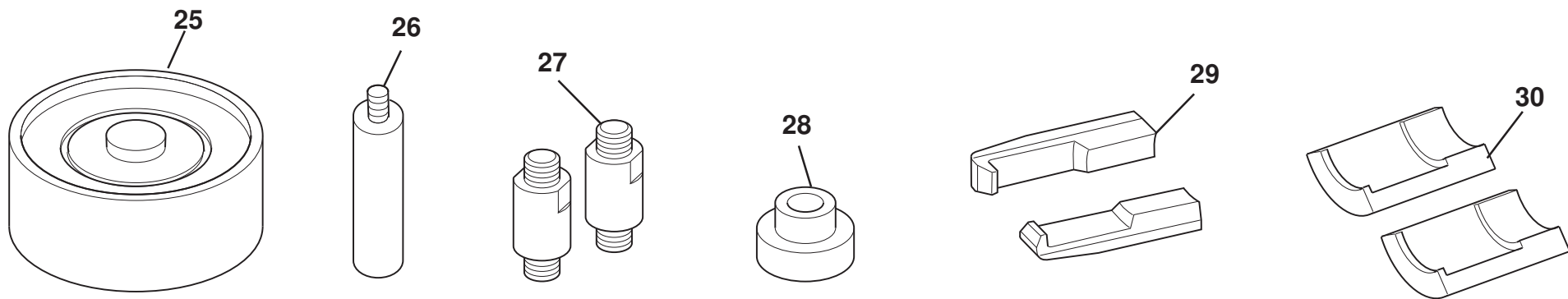
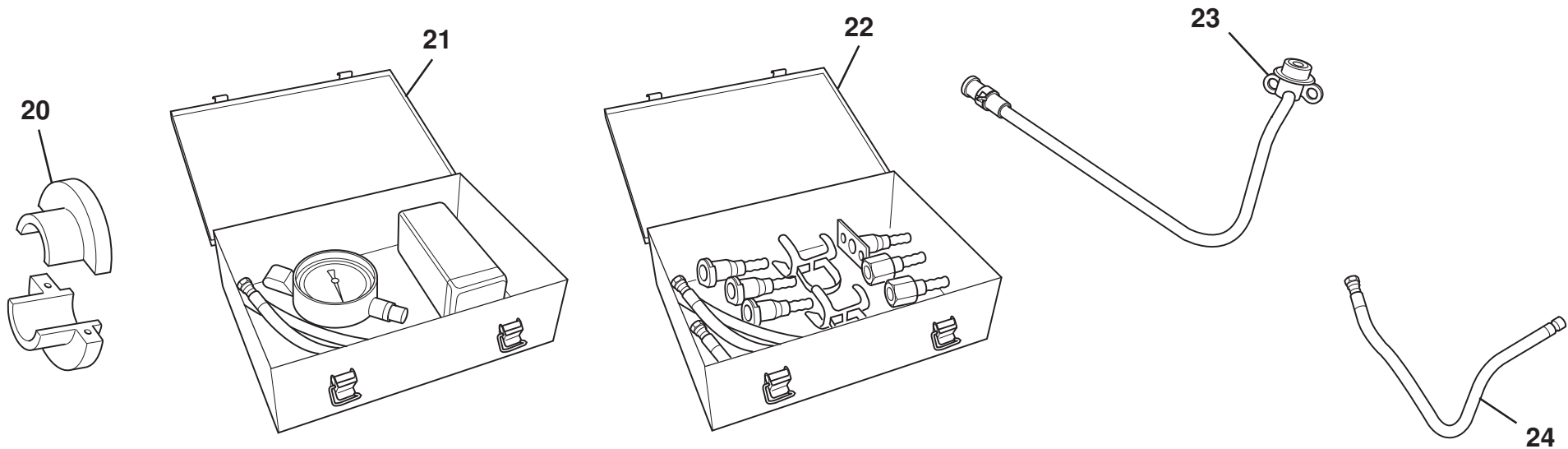
Function Code: 60.01a, Page: 1

Updated 4th April 2013



ELISE
 60.02 page 1

Updated 1st July 2014



ELISE

60.02 page 2

Updated 1st July 2014

Service Parts List **ELISE**



Function Code 60.02 Special Tools

<u>Dep</u>	<u>Part Description</u>	<u>Remarks</u>	<u>Option</u>	<u>Part Number</u>	<u>Qty</u>
01	Hanger, engine			T000T1437S	2
02	Press Tool, driveshaft			T000T1438F	1
03	Press Tool, driveshaft bearing			T000T1439F	1
04	Bolt, engine hanger			T000T1440S	2
05	Oil Filter Wrench			T000T1441F	1
06	Valve Clearance Adjuster Set			T000T1442F	1
07	Crank Pulley Holding Tool			T000T1443F	1
08	Companion Flange Holding Tool			T000T1444F	1
09	Oil Seal Puller, transmission			T000T1445F	1
10	Differential Pre-load Adaptor			T000T1446F	1
11	Upper Plate, 5th/6th gear			T000T1447/1	1
12	Bolt, 5th/6th gear puller			T000T1447/2	1
13	Arm, 5th/6th gear puller			T000T1447/3	3
14	Adaptor, 5th/6th gear puller			T000T1447/4	1
15	5th/6th Synchro Puller Hanger			T000T1448/1	1
16	5th/6th Synchro Puller Side Arm			T000T1448/2	2
17	5th/6th Synchro Puller Bolt			T000T1448/3	1
18	5th/6th Synchro Puller Claw			T000T1448/4	2

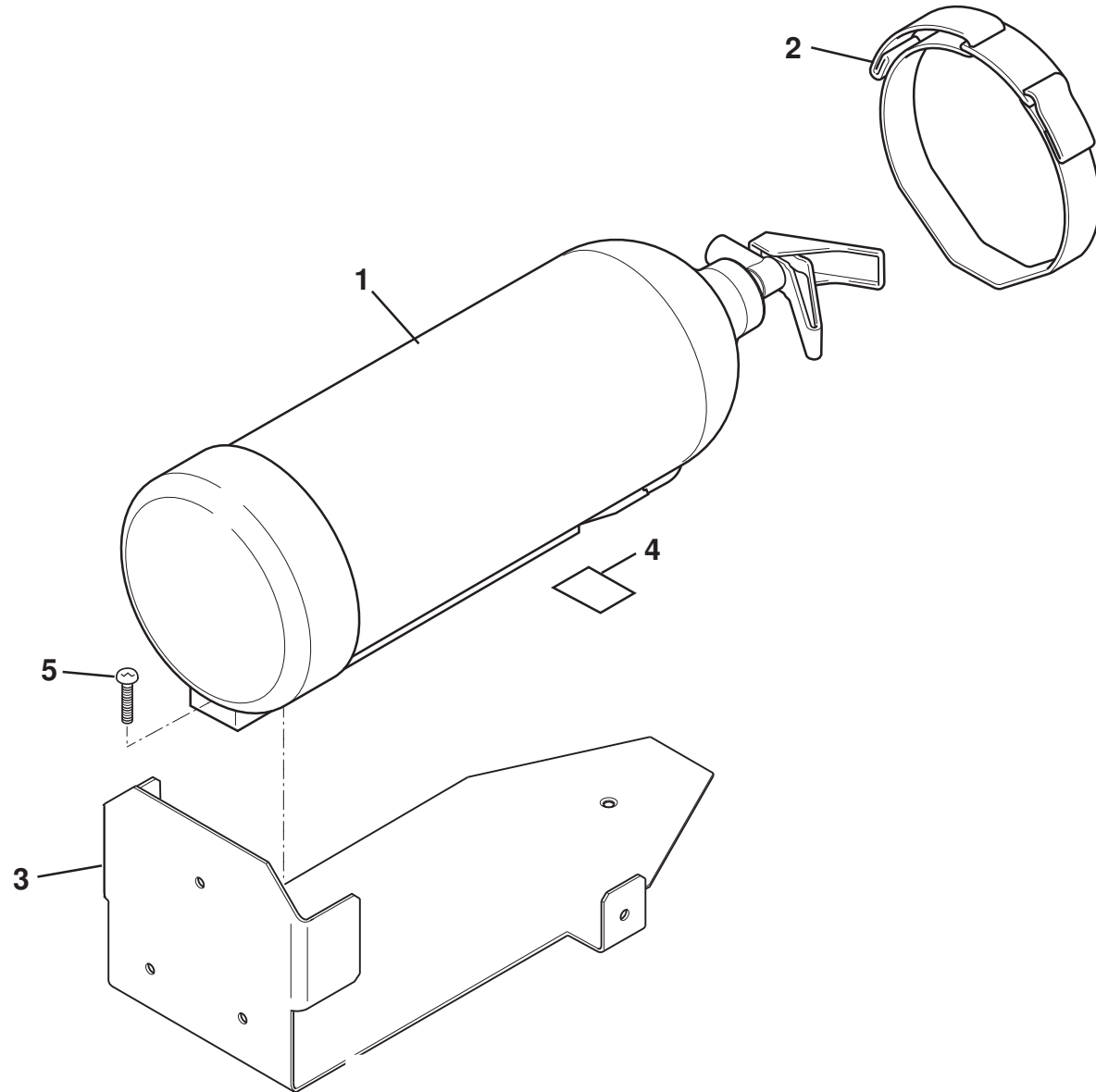
ELISE

Function Code: 60.02, Page: 1

Updated 1st July 2014

Function Code 60.02 Special Tools

<u>Dep</u>	<u>Part Description</u>	<u>Remarks</u>	<u>Option</u>	<u>Part Number</u>	<u>Qty</u>
19	5th/6th Synchro Puller Holder			T000T1448/5	1
20	Fuel Pipe Release Tool			T000T1450F	1
21	Fuel Gauge Kit			T000T1451F	1
22	Fuel Measure Set			T000T1452F	1
23	Fuel Tube Connector			T000T1453F	1
24	Fuel Tank Connector			T000T1454F	1
25	Driveshaft Seal Tool, LH			T000T1459F	1
26	Handle, driveshaft seal tool			T000T1460F	1
27	Arm, transmision puller kit			T000T1462F	1
28	Attachment, transmision puller kit			T000T1463F	1
29	Claw, transmision puller kit			T000T1464F	1
30	Adaptor, transmision puller kit			T000T1465F	1
31	Tool Board	Not illustrated		T000T1455F	1



ELISE
60.03

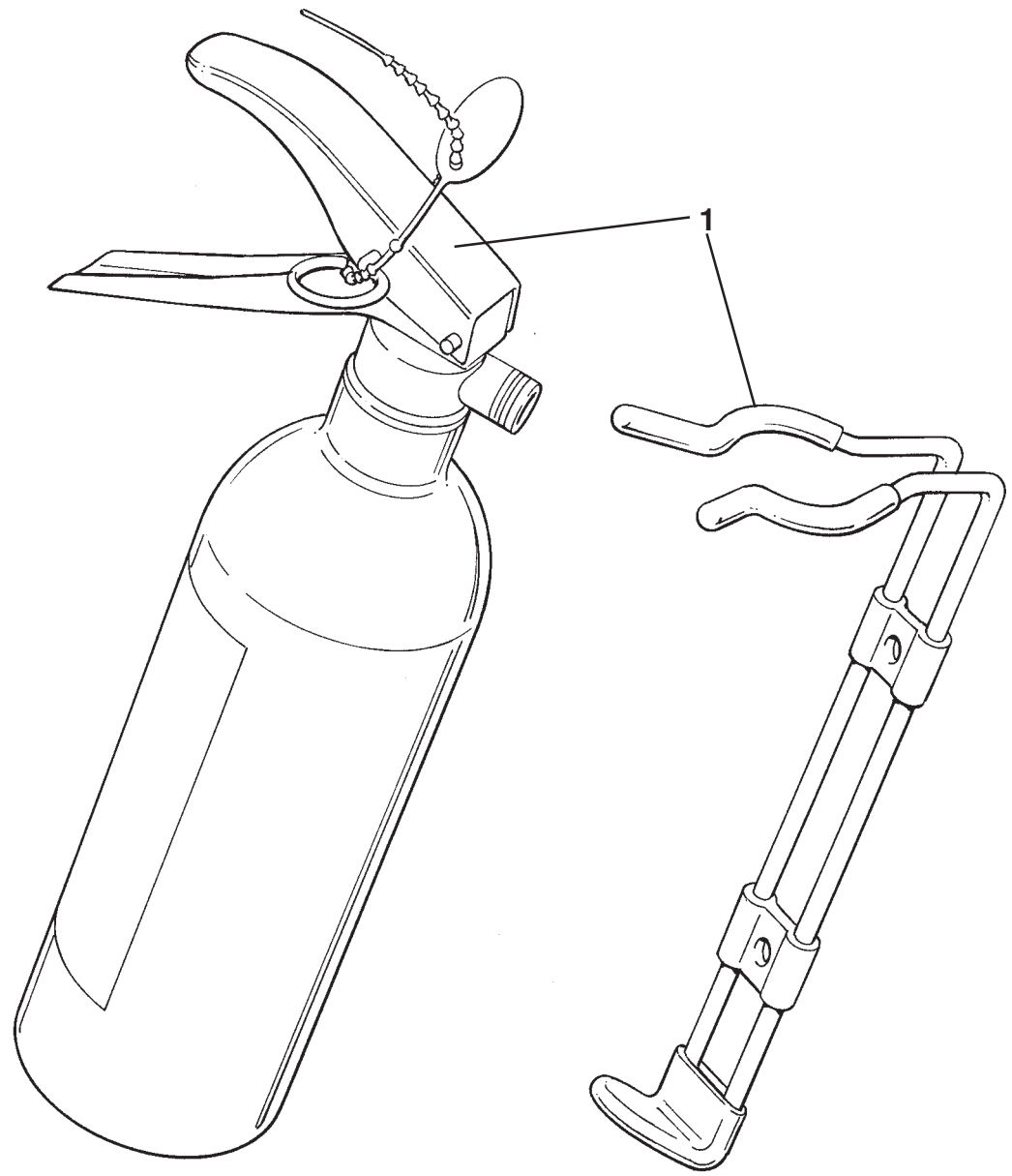
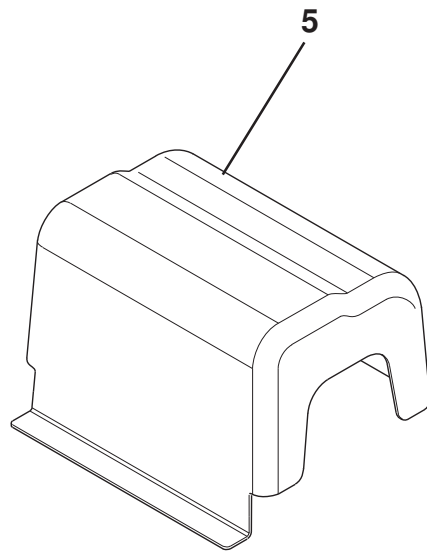
Updated 24th January 2011

Service Parts List **ELISE**



Function Code 60.03 Fire Extinguisher, Gulf States

<u>Dep</u>	<u>Part Description</u>	<u>Remarks</u>	<u>Option</u>	<u>Part Number</u>	<u>Qty</u>
01	Fire Extinguisher, 2 kg, GCC			A120T6000F	1
02	Strap Assembly, fire extinguisher retention			A120U0135F	1
03	Bracket, extinguisher mounting			A120B0245F	1
04	Seal Strip 24 x 75			A036B6221F	2
05	Screw M5 x 16, extinguisher to bracket			A116W5281F	2



EXIGE
60.03x

Updated 11th September 2010

Service Parts List

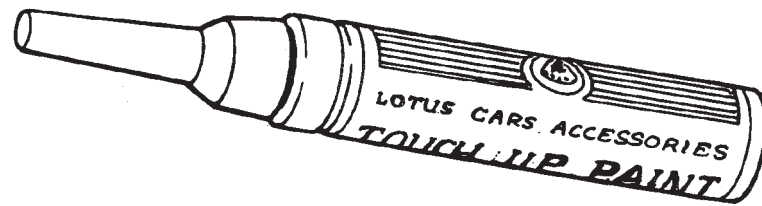
EXIGE



Function Code 60.03x Fire Extinguisher Kit, Exige

<u>Dep</u>	<u>Part Description</u>	<u>Remarks</u>	<u>Option</u>	<u>Part Number</u>	<u>Qty</u>
01	Fire Extinguisher Kit		Optional	A111T0002S	1
02	Fixing screw, M6 x 20 pozi.	Not illustrated	Optional	A100W5147F	2
03	Rivnut, M6 flat hd.	Not illustrated	Optional	A111T6621F	2
04	Fire Extinguisher, electric	First use Exige Cup 260	Optional	A128B6002F	1
05	Cover, fire extinguisher	Exige Cup 260	Optional	A128U0016K	1

EXIGE



ELISE

80.20a

Service Parts List **ELISE**



Function Code 80.20a Touch-in Paint Pencil Range

<u>Dep</u>	<u>Part Description</u>	<u>Remarks</u>	<u>Option</u>	<u>Part Number</u>	<u>Qty</u>
04	B04, British Racing Green, mono			D082B6146F	1
21	C21 Classic Green			A120B6097S	1
25	B25 Chrome Orange			A082B6338F	1
25a	C25 Chrome Orange			A120B6085S	1
75	B75, Motorsport Green			A120B6086S	1
83	B83, Lightning Yellow Pearlescent			A082B6384F	1
84	B84, Lava Orange Pearlescent			A082B6385F	1
86	B86, Racing Green Metallic			A082B6388F	1
93	B93, Starlight Black Metallic			A082B6402F	1
94	B94, Ardent Red			A082B6400F	1
97	B97, Atlantic Blue Metallic			A082B6407F	1
98	B98, Storm Titanium			A082B6408F	1
100	B100, Magnetic Blue			A082B6410F	1
101	B101, Electric Green Metallic			A082B6411F	1
102	B102, Aubergine Metallic			A082B6412F	1
104	B104, Blue Mica			A082B6414F	1
105	B105, Nightfall Blue			A082B6415F	1
106	B106, Saffron Yellow			A082B6416F	1

ELISE

Function Code: 80.20a, Page: 1

Updated 3rd June 2016

Function Code 80.20a Touch-in Paint Pencil Range

<u>Dep</u>	<u>Part Description</u>	<u>Remarks</u>	<u>Option</u>	<u>Part Number</u>	<u>Qty</u>
107	B107, Glacier Blue			A082B6417F	1
108	B108, Graphite Grey			A082B6418F	1
109	B109, Krypton Green			A082B6419F	1
110	B110, Polar Blue			A120B6040S	1
111	B111, Motorsport Black			A120B6045S	1
112	B112, Motorsport Yellow			A120B6046S	1
113	B113, Aspen White			A120B6028S	1
114	B114, Solar Yellow			A120B6029S	1
115	B115, Arctic Silver			A120B6030S	1
116	B116, Autumn Gold			A120B6031S	1
117	B117, Canyon Red			A120B6032S	1
118	B118, Chilli Red			A120B6033S	1
119	B119, Racing Green			A120B6034S	1
120	B120, Laser Blue			A120B6035S	1
121	B121, Storm Titanium			A120B6036S	1
122	B122, Graphite Grey			A120B6037S	1
123	B123, Phantom Black			A120B6038S	1
124	C124, Sky Blue			A129B6089S	1
127	B127, Prism Green			A120B6047S	1
128	B128, Moonstone			A120B6048S	1
129	B129, Ice White			A120B6049S	1

ELISE

Function Code: 80.20a, Page: 2

Updated 3rd June 2016

Function Code 80.20a Touch-in Paint Pencil Range

<u>Dep</u>	<u>Part Description</u>	<u>Remarks</u>	<u>Option</u>	<u>Part Number</u>	<u>Qty</u>
130	B130, Arctic Silver			A120B6050S	1
131	B131, Persian Blue			A120B6044S	1
132	B132, Isotope			A120B6051S	1
133	B133, Liquid Blue			A120B6052S	1
134	B134, Candy red			A120B6053S	1
135	B135, Burnt Orange			A120B6054S	1
137	B137, Carbon Grey			A120B6062S	1
138	B138, Aquamarine			A120B6063S	1
139	B139, Lotus Quartz			A120B6034S	1
149	C149, Velvet Red			A120B6087S	1
151	C151, Sienna Brown			A120B6088S	1
162	C162, Zest Yellow			A120B6093S	1
168	C168, Formula Red			A120B6094S	1
169	C169, Daytona Blue			A120B6095S	1
173	C173, Toxic Green			A120B6096S	1
181	C181 Elise Grey				1
183	C183 Solid Red				1
184	C184 Metallic White				1
185	C185 Metallic Grey				1
186	C186 Metallic Black				1
187	C187 Metallic Yellow				1

ELISE

Function Code: 80.20a, Page: 3

Updated 3rd June 2016

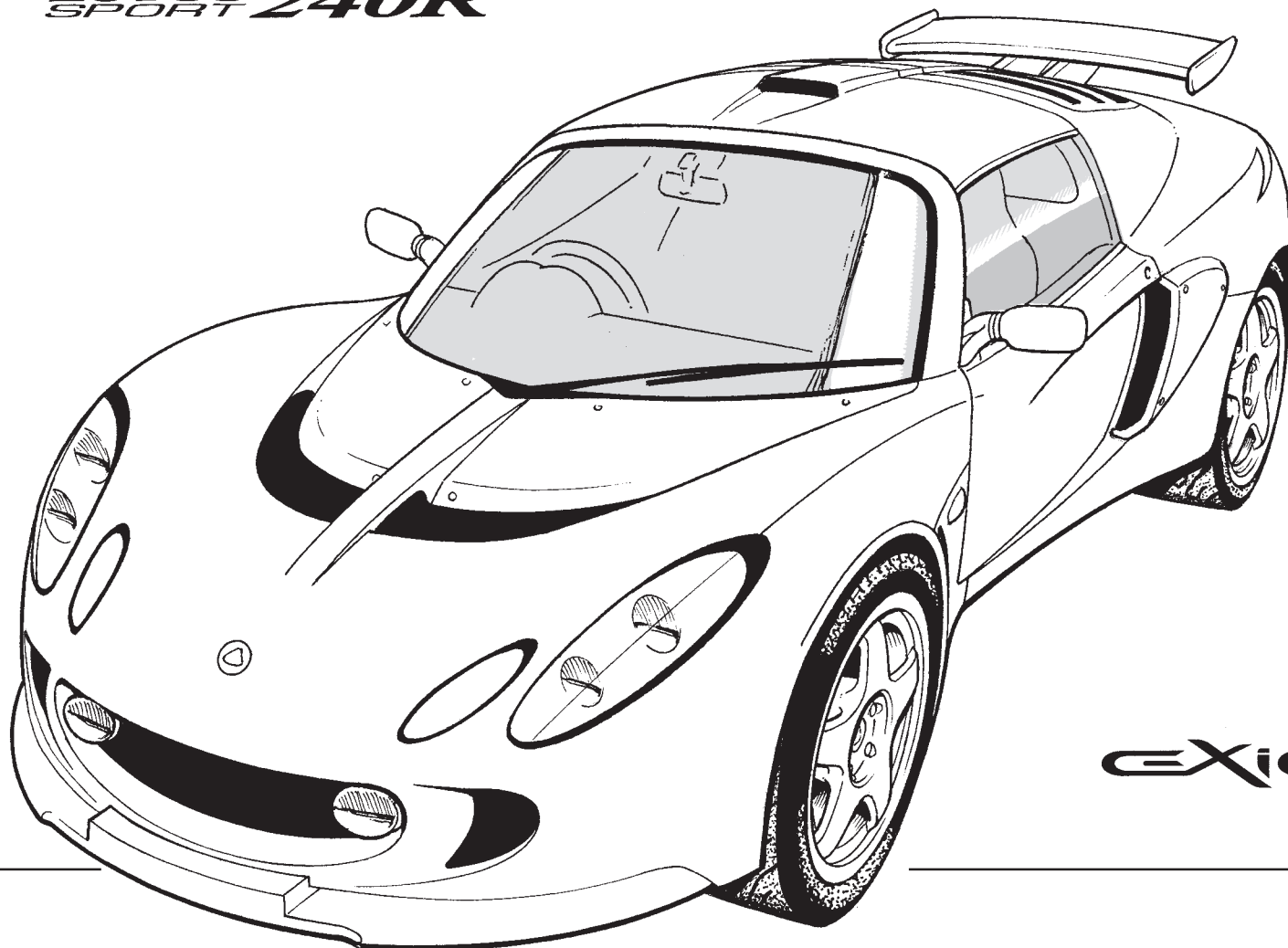
Function Code 80.20a Touch-in Paint Pencil Range

<u>Dep</u>	<u>Part Description</u>	<u>Remarks</u>	<u>Option</u>	<u>Part Number</u>	<u>Qty</u>
188	C188 Metallic Orange				1
189	C189 Metallic Blue				1
190	C190 Metallic Silver				1
191	C191 Racing Green				1
201	C201 Metallic White				1
202	C202 Metallic Blue				1
203	C203 Metallic Racing Green				1
205	C205 Metallic Orange				1
206	C206 Solid Yellow				1



EXIGE SERVICE PARTS LIST SUPPLEMENT

**LOTUS
SPORT 240R**



EXIGE

Technical Publications, Lotus Cars Limited, Hethel, Norwich, Norfolk, NR14 8EZ. England.

Telephone 01953 608000 www.lotuscars.com

© Lotus Cars Ltd. 2005

Part Number A120T0325/05/03

Updated 9th June 2011

LOTUS SPORT 240R Contents

10.00 Body

10.11x Tailgate & Release Mechanism, Exige

12.00 Exterior Fittings

12.03 Grilles & Louvres

12.05 Decals, Badges & Protective Film

13.00 Seats & Seat Belts

13.02 Seat Assemblies, Lumbar Support

15.00 Interior Trim

15.13 Front Door Trims

15.19 Centre Tunnel Trim, Gear Lever Gaiters/Shrouds

17.00 Electrical

17.01 Harnesses, Leads

17.03 Horn, Inertia Switch, Fuses & Relays

17.06 Engine Management & Sensors

19.00 Labels

19.01 Labels, Certificates, Literature etc.

30.00 Chassis

30.02 Seat Belt Mounting Frame, Stays

31.00 Suspension

31.01 Front Suspension, Incl. Hubs

31.03 Rear Suspension, Incl. Hubs

33.00 Brakes

33.01 Brake Discs & Calipers

33.03 Master Cylinder, Servo, ABS Controller, Pipes & Hoses

34.00 Wheels & Tyres

34.01 Wheels, Tyres & Valves

40.00 Engine

40.01a Engine Mounts

40.07c Camshafts, Tappets, Cam Cover, Breather, 240R

40.15 Lubrication system

40.15c Accusump, Hoses & Fittings

40.17 Ignition System, Spark Plugs

40.19 Alternator and Starter Motor

41.00 Belts and Pulleys

41.03 Auxiliary Drive Belts & Pulleys

42.00 Induction Systems

42.01 Airboxes, Trunking & Air Filters

42.05 Fuel Injection System

42.07d Inlet Manifolds, Plenum & Gaskets

42.09 Supercharger

44.00 Fuel System

44.01 Fuel Tanks, Filler

44.05 Charcoal Canister & Evaporative Loss system

45.00 Exhaust

45.01 Exhaust system

46.00 Cooling

46.01 Engine Cooling System & Fan

46.10a Intercooler & Ducting

47.00 Transmission

47.01 Clutch & Release Mechanism

 *Illustrated sections*

Service Parts List Supplement

LOTUS SPORT 240R



<u>Func. Code</u>	<u>Part Description</u>	<u>Remarks</u>	<u>Option</u>	<u>Part Number</u>	<u>Qty</u>
10.11x	Strut, tailgate supporting	replaced by 13a and 15a on 10.11x		ALS3B0026F	2
10.11x	Bracket, strut to clamshell, RH	replaced by 13a and 15a on 10.11x		ALS3B0024F	1
10.11x	Bracket, strut to clamshell, LH	replaced by 13a and 15a on 10.11x		ALS3B0025F	1
10.11x	Bracket, strut to tailgate	replaced by 13a and 15a on 10.11x		ALS3B0023F	2
10.11x	Weatherseal, engine bay to tailgate			A089W6055F	1
12.03	Grille, roof scoop			ALS3B0022F	1
12.05	Decal, 240R, large, black, rear			ALS3U0006F	1
12.05	Decal, 240R, large, silver, rear			ALS3U0008F	1
12.05	Decal, 240R, small, black, sides			ALS3U0007F	2
12.05	Decal, 240R, small, silver, sides			ALS3U0009F	2
12.05	Decal, Exige, black, rear			ALS3U0010F	1
12.05	Blanking Patch, black, 12mm	Unused holes for canister bracket		A111V0206K	3
12.05	Pop Rivet, build plate fixing			A075W6065Z	4
12.05	Badge, union flag			A132U0995S	1
13.02	Sports Seat, driver, RHD		Black/yellow	ALS3V0032F	1
13.02	Sports Seat, driver, LHD		Black/yellow	ALS3V0033F	1
13.02	Sports Seat, passenger, RHD		Black/yellow	ALS3V0034F	1
13.02	Sports Seat, passenger, LHD		Black/yellow	ALS3V0035F	1
15.13	Door Trim Assembly, RH		Black/yellow	ALS3V0030F	1
15.13	Door Trim Assembly, LH		Black/yellow	ALS3V0031F	1

Service Parts List Supplement

LOTUS SPORT 240R



<u>Func. Code</u>	<u>Part Description</u>	<u>Remarks</u>	<u>Option</u>	<u>Part Number</u>	<u>Qty</u>
15.19	Cover, gear lever/parking brake, RHD		Black/yellow	ALS3V0036F	1
15.19	Cover, gear lever/parking brake, LHD		Black/yellow	ALS3V0037F	1
17.01	Engine harness			ALS3M0011K	1
17.01	Harness, accusump			ALS3M0006K	1
17.01	Clip, harness to inlet manifold			A089W6296S	2
17.01	Grommet, accusump harness			X036B6010Z	1
17.01	Grommet, accusump harness			X036B6167Z	1
17.03	Mounting Plate, ECM/electrical components			ALS3M0015K	1
17.03	Bolt, M6 x 30, hex. hd., fuse holder to bracket			A075W1032Z	1
17.03	Washer, flat, M6 x 15 x 1.5, fuse holder to bracket			A075W4015Z	2
17.03	Nut, M6, fuse holder to bracket			A075W3020Z	1
17.03	Nyloc Nut, M6, fuse holder to bracket			A907E6285F	1
17.06	ECM T4, Exige Cup (supercharged) & 240R	Manual throttle	'04MY/'05MY	ALS3M0014J	1
17.06	ECM T4E, Cup 240	Electric throttle	'06 MY	BLS3M0016K	1
17.06	T Map Sensor			ALS3E6035F	1
17.06	Bolt, M6 x 16, sensor mounting			ALS3E6067F	1
19.01	Label, warning, accusump fitment, English			ALS3U0002F	1
19.01	Label, warning, accusump fitment, French			ALS3U0003F	1
19.01	Label, warning, accusump fitment, German			ALS3U0004F	1
19.01	Label, warning, accusump fitment, Italian			ALS3U0005F	

LOTUS
SPORT 240R

Page: 2

Updated 14th December 2011

Service Parts List Supplement

LOTUS SPORT 240R



<u>Func. Code</u>	<u>Part Description</u>	<u>Remarks</u>	<u>Option</u>	<u>Part Number</u>	<u>Qty</u>
30.02	Seat Belt Mounting Frame, T45			A122A0046F	1
30.02	Backstay, frame, LH, T45	Silver finish		A122A0049F	1
30.02	Backstay, frame, RH, T45	Silver finish		A122A0050F	1
31.01	Damper, front, LH	Ohlins spring / Damper with Res.		CLS3C6001J	1
31.01	Damper, front, RH	Ohlins spring / Damper with Res.		CLS3C6002J	1
31.01	Anti Roll Bar, sport, adjustable			A111C0134S	1
31.01	Mounting Clamp, nylon, A/R bar			B111C0052F	2
31.01	Bush, A/R bar mount to chassis			A111C0060F	2
31.01	Bolt, M5 x 45, cap hd., clamp fixing			A082W2106F	2
31.01	Washer, flat, M5 x 10 x 1.0, clamp fixing			A075W4011Z	2
31.01	Nyloc Nut, M5, clamp fixing			A100W3113F	2
31.01	Pivot Bolt, M10 x 45, hex. hd., front lower wishbone			A075W2065F	2
31.03	Damper, rear, LH	Ohlins spring / Damper with Res.		BLS3D6005J	1
31.03	Damper, rear, RH	Ohlins spring / Damper with Res.		BLS3D6006J	1
33.01	Brake Pads, front			A111J0150S	1
33.01	Brake Pads, rear			A111J0151S	1
33.01	Brake Hose Kit, braided			A340J6000S	1
33.01	Brake Fluid			A340J6001S	1
33.01	Brake Caliper, front, LH			ALS2J0009F	1
33.01	Brake Caliper, front, RH			ALS2J0010F	1

Service Parts List Supplement

LOTUS SPORT 240R



Func. Code	Part Description	Remarks	Option	Part Number	Qty
33.01	Brake Caliper, rear, LH			ALS2J0011F	1
33.01	Brake Caliper, rear, RH			ALS2J0012F	1
34.01	Road Wheel, front, five spoke, HP silver, 7.0 x 16			A127G0003F	2
34.01	Road Wheel, front, five spoke, black, 7.0 x 16			A127G0001F	2
34.01	Road Wheel, rear, five spoke, HP silver, 8.0 x 17			A127G0004F	2
34.01	Road Wheel, rear, five spoke, black, 8.0 x 17			A127G0002F	2
34.01	Tyre, front, 195/50 R16, Yokohama A048			A122G0013L	2
34.01	Tyre, rear, 225/45 R17, Yokohama A048			A117G0131L	2
34.01	Wheel Centre Cover, Lotus logo			ALS3G6013F	4
40.01a	Engine Mount, modified			A132G6011F	1
40.07d	Camshaft, Tappets, Cam Cover, Breather, 240R	See separate illustrated section			
40.15	Dipstick Tube			A128E6006F	1
40.15c	Accusump, Hoses & Fittings				
40.17	Spark Plug	See separate illustrated section		ALS3E6015F	4
40.19	Bolt, M8 x 45, flg. hex. hd., alternator mounting			ALS3E6066F	1
40.19	Spacer, 13.5mm, alternator mounting			ALS3E0065F	1
41.03	Drive Belt, supercharger		Non A/C	ALS3E6021F	1
41.03	Pulley, non AC			A120E6403S	1
41.03	Mounting Bracket, pulley, non AC			BLS3E0064F	1
41.03	Setscrew, M8 x 16, hex. hd., bracket to block, non AC			A075W1036Z	3

Service Parts List Supplement

LOTUS SPORT 240R



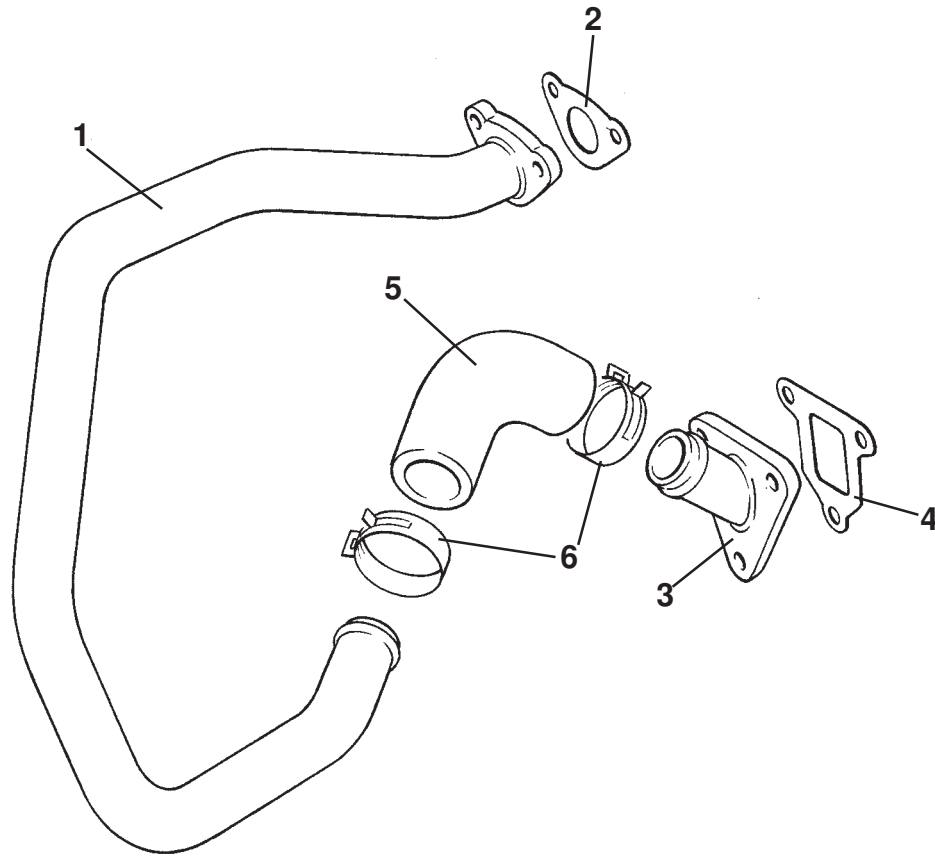
Func. Code	Part Description	Remarks	Option	Part Number	Qty
41.03	Bolt, flg. hd., pulley fix., non AC			A120E6407S	1
41.03	Nut, pulley fix., non AC			A120E6480S	1
42.01	Sports Air Filter			ALS3E6020F	1
42.05	Injector			ALS3E6039F	1
42.05	Injector Mounting Kit			ALS3E6040F	1
42.05	Hose, fuel			ALS3L0001F	1
42.05	Cable Tie, hose retaining			A082W6324F	2
42.05	Clip, hose retaining			A082W6587F	2
42.05	Clip, double, fuel pipe retaining			ALS3L6007F	2
42.05	Clip, fuel pipe retaining, female			A082W6337F	6
42.05	Clip, fuel pipe retaining			A116K6020F	1
42.05	Clip, fuel pipe retaining			A116L6050F	2
42.07d	Inlet Manifold	See separate illustrated section			
42.09	Supercharger	See separate illustrated section			
43.03	Vacuum Hose			A116M0040F	1
43.03	'T' Piece, 8mm to 8mm to 4mm			ALS3L6002F	1
43.03	Clip, hose attachment, 14mm			A116K6017F	8
44.01	Finisher Ring, fuel filler, black			A138L0158S	1
45.01	Sports Exhaust			LOTAC05450	1
45.01	Catalyst			ALS3S0001F	1

Service Parts List Supplement

LOTUS SPORT 240R



<u>Func. Code</u>	<u>Part Description</u>	<u>Remarks</u>	<u>Option</u>	<u>Part Number</u>	<u>Qty</u>
45.05	Bracket, charcoal canister mounting			BLS3L0003F	1
45.05	Hose, extension, charcoal canister, 6.3mm ID			ALS3L6004F	1
45.05	Hose, extension, charcoal canister, 8.0mm ID			ALS3L6005F	1
45.05	Connection, evap. canister hose to pipe			ALS3L6006F	1
45.05	Bolt, M6 x 30, hex. hd., roll over valve fixing			A075W1032Z	1
45.05	Washer, flat, M6 x 15 x 1.5, roll over valve fixing			A075W4015Z	1
45.05	Nyloc Nut, M6, roll over valve fixing			A075W3009Z	1
46.01	Blanking Cap, coolant rail			ALS3K6001F	2
46.01	Clip, swivel, hose retention			A082W6587F	1
46.01	Cable Tie, hose retention			A082W6324F	1
46.10a	Intercooler & Ducting	See separate illustrated section			
47.01	Clutch Cover			ALS3Q6000F	1
47.01	Clutch Plate	Motorsport clutch		A127Q0002F	1



LOTUS
SPORT 240R

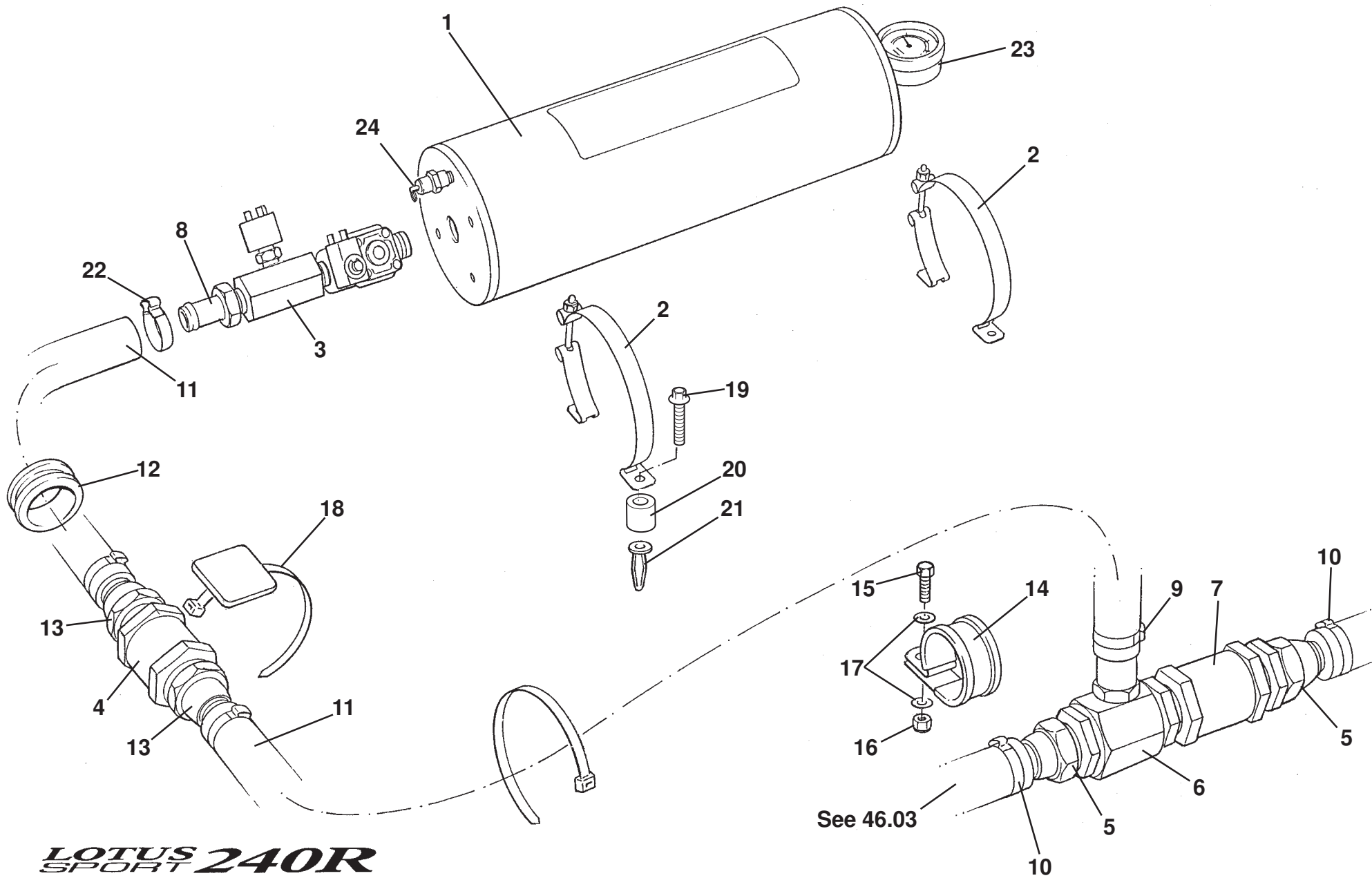
40.07d

Service Parts List *LOTUS SPORT 240R*



Function Code 40.07d Cam Cover, Breather Pipes/Hoses, Supercharged Engine

<u>Dep</u>	<u>Part Description</u>	<u>Remarks</u>	<u>Option</u>	<u>Part Number</u>	<u>Qty</u>
01	Breather Vent Tube			BLS3E0055F	1
02	Gasket, vent tube to cam cover			A120E6167S	1
03	Breather Mounting Spigot			CLS3E0056F	1
04	Gasket, mounting to block			A120E6171S	1
05	Hose, No.3, crankcase ventilation	Cut to fit		A120E6170S	1
06	Clip, breather hose, retaining			A120E6177S	2



LOTUS 240R

40.15c

Service Parts List *LOTUS SPORT 240R*

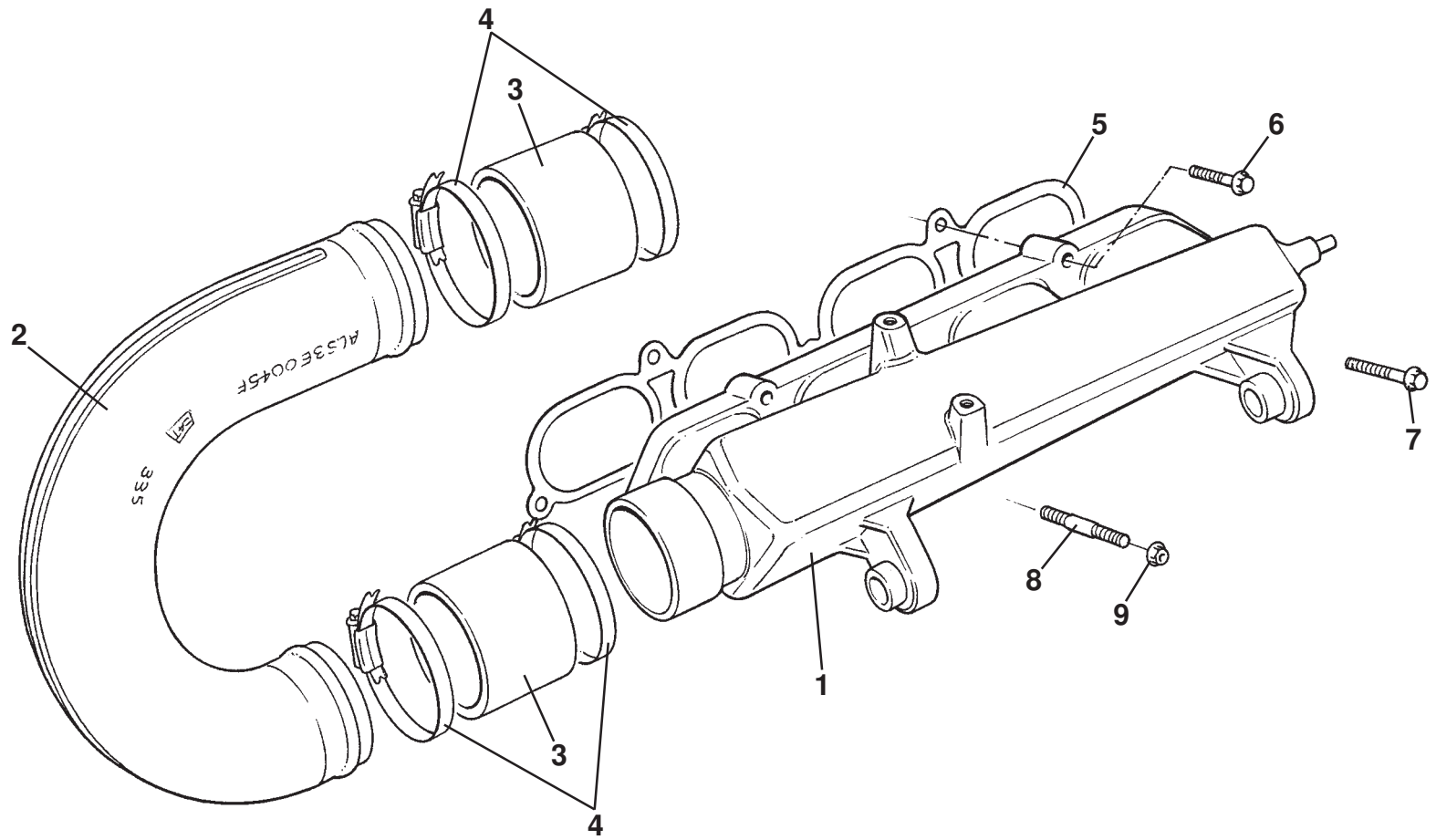


Function Code 40.15c Accusump, Hoses & Fittings

<u>Dep</u>	<u>Part Description</u>	<u>Remarks</u>	<u>Option</u>	<u>Part Number</u>	<u>Qty</u>
01	Accusump, 2QT			ALS3E6001F	1
02	Clamp, accusump mounting			ALS3E6002F	2
03	Valve Assembly, EPC, accusump			ALS3E6003J	1
04	Oil Filter, in-line, 120 micron			ALS3E6016F	1
05	Connector, accusump, 10 JIC, for 5/8" hose			ALS3E6005F	2
06	Connector, accusump 'T' piece			ALS3E6006F	1
07	Connector, accusump one-way valve			ALS3E6007F	1
08	Connector, accusump, 10 JIC, for 1/2" hose			ALS3E6008F	1
09	Connector, accusump, 1/2" NTP for 1/2" hose			ALS3E6009F	1
10	Hose Clip, oetiker	Refer to SB 2010/09 (see 46.03 for hose pt. no)		A117W6706F	2
11	Hose, accusump, 1/2" I/D, low pressure, black	Refer to SB 2010/09		ALS3E6012F	2
12	Grommet, hose thro, body			A082H6046F	1
13	Connection, oil filter, -8 to 1/2" hose			ALS3E6017F	2
14	'P' Clip			A111W6624F	1
15	Bolt, M6 x 20, hex. hd., accusump mounting			A075W1030Z	1
16	Nyloc Nut, M6, accusump mounting			A075W3009Z	1
17	Washer, flat, M6 x 20 x 1.5, accusump mounting			A075W4015Z	5
18	Cable Tie			A075W6038Z	10

Function Code 40.15c Accusump, Hoses & Fittings

<u>Dep</u>	<u>Part Description</u>	<u>Remarks</u>	<u>Option</u>	<u>Part Number</u>	<u>Qty</u>
19	Bolt, M6 x 40, flg. hd.			A918W5217F	4
20	Nylon Spacer			A111U0368F	4
21	Jacknut, M6			A075W3031Z	4
22	Hose Clip, oetiker, stepless			A121W6768F	4
23	Guage			ALS3E0305F	1
24	Pressure Relief Valve, Accusump			ALS3E0162F	1



LOTUS 240R
SPORT

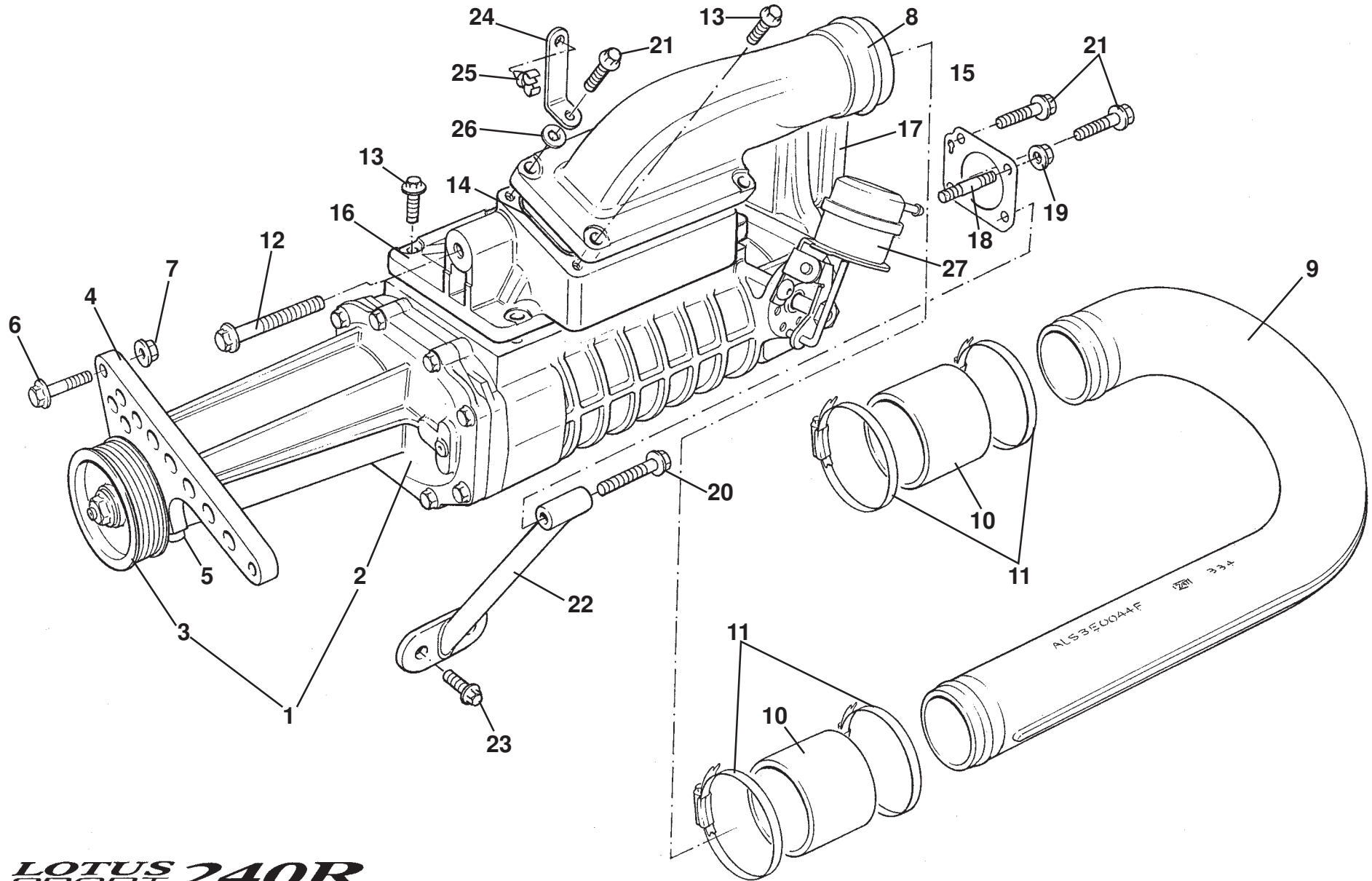
42.07d

Service Parts List *LOTUS SPORT 240R*



Function Code 42.07d Inlet Manifold, Supercharged Engine

<u>Dep</u>	<u>Part Description</u>	<u>Remarks</u>	<u>Option</u>	<u>Part Number</u>	<u>Qty</u>
01	Inlet Manifold			DLS3E0032J	1
02	Pipe, intercooler to inlet manifold			ALS3E6045F	1
03	Hose, pipe to intercooler/manifold			BLS3E6043F	2
04	Hose Clamp, 2.5" ID x 60mm, hose fixing			ALS3E6060F	4
05	Gasket, inlet manifold			A120E6342S	1
06	Bolt, M8 x 30 x 1.25, flg. hex. hd.,			ALS3E6062F	3
07	Bolt, M8 x 40 x 1.25, flg. hex. hd. lower RH fixing	Also retains intercooler bracket		A120E6325S	1
08	Stud, M8, lower centre fixing			B111E6081S	1
09	Nut, flange, M8, lower centre fixing			A120E6327S	1



LOTUS 240R
SPORT

42.09

Service Parts List *LOTUS SPORT 240R*

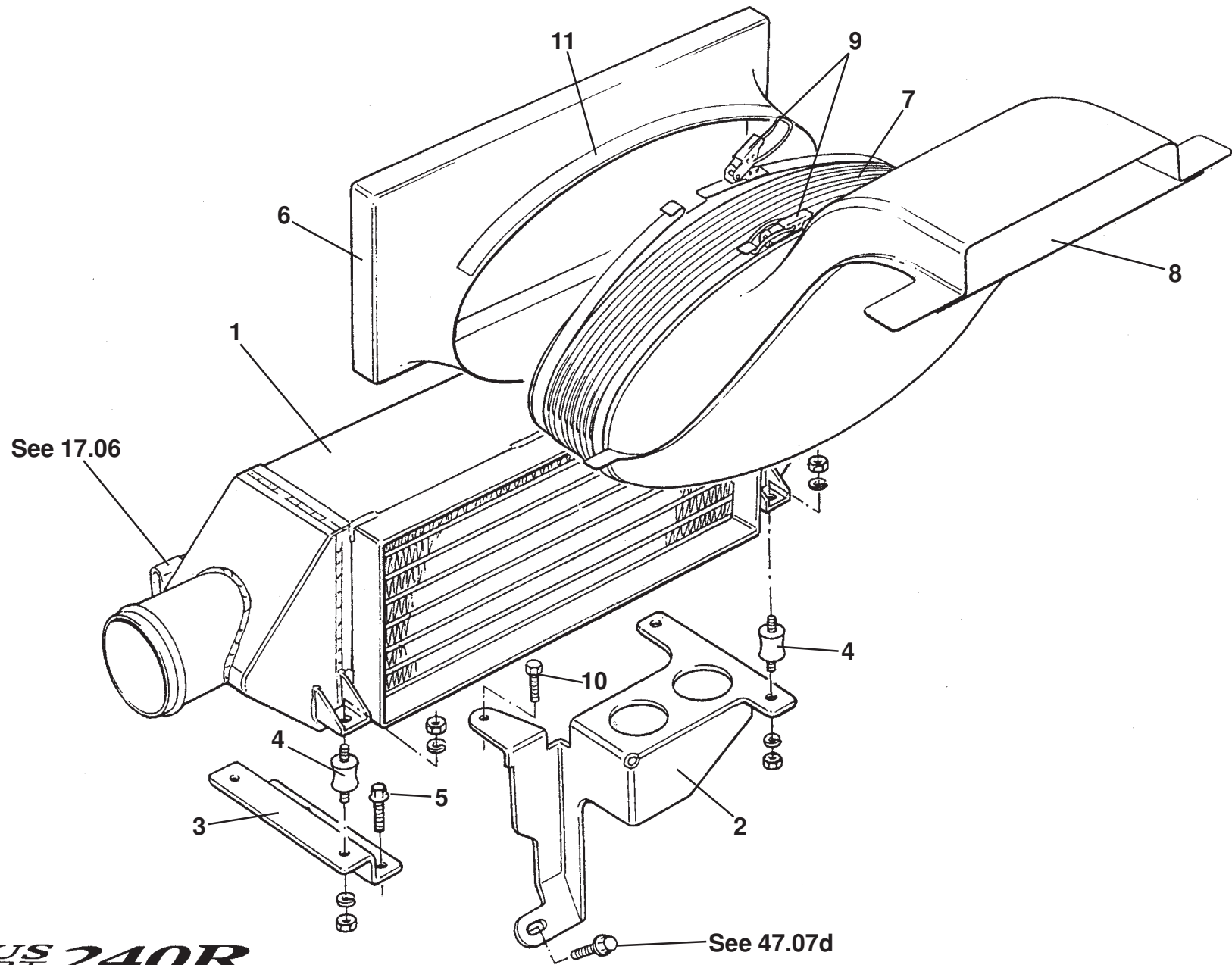


Function Code 42.09 Supercharger

<u>Dep</u>	<u>Part Description</u>	<u>Remarks</u>	<u>Option</u>	<u>Part Number</u>	<u>Qty</u>
01	Supercharger/pulley Assembly			BLS3E6042J	1
02	Supercharger			BLS3E6019F	1
03	Pulley, supercharger			ALS3E0041F	1
04	Mounting Bracket, nose			BLS3E0037F	1
04a	Spacer, 7mm, nose mounting	Not illustrated		ALS3E0063F	1
05	Clamp Bolt, M8 x 20, cap hd.			A111W7130F	1
06	Bolt, M10 x 40, flg. hex. hd., bracket mounting			ALS3E6070F	2
07	Nut, M10			A111W3151F	1
08	Outlet Manifold Port, upper			ALS3E0029F	1
09	Pipe, supercharger to intercooler			ALS3E0044F	1
10	Hose, pipe to intercooler/manifold			BLS3E6043F	2
11	Hose Clamp, 2.5" ID x 60mm, hose fixing			ALS3E6060F	4
12	Bolt, M10 x 50, flg. hex. hd., supercharger mounting			ALS3E6061F	2
13	Bolt, M8 x 25, flg., hex. hd.			A120E6324S	8
14	'O' Ring, manifold sealing	Upper, lower & inlet		ALS3E6069F	3
15	Gasket, throttle body			A120E6354S	1
16	Outlet Manifold Port, lower			ALS3E0028F	1
17	Inlet Manifold, supercharger			BLS3E0031J	1

Function Code 42.09 Supercharger

<u>Dep</u>	<u>Part Description</u>	<u>Remarks</u>	<u>Option</u>	<u>Part Number</u>	<u>Qty</u>
18	Stud, M8, throttle body fixing			B111E6081S	1
19	Nut, flange, M8, throttle body fixing			A120E6327S	1
20	Bolt, M8 x 55 x 1.25, flg. hex. hd., throttle body fixing			ALS3E6072F	1
21	Bolt, M8 x 30 x 1.25, flg. hex. hd., manifold/throttle fix.			ALS3E6062F	2
22	Mounting Stay, supercharger support			BLS3E0068F	1
23	Bolt, M8 x 25, flg.hd., stay to transmission	Replaces slave cylinder fixings		A120E6327S	2
24	Bracket, supercharger support			CLS3L0008F	2
25	Clip, double, fuel pipe retaining, fir tree fix.			A116W6727F	2
26	Washer, flat, M8 x 20 x 2.5, bracket spacing			A079W4019F	2
27	Actuator Valve, vacuum			BLS3E6058F	1



LOTUS 240R
SPORT

46.10a

Service Parts List *LOTUS SPORT 240R*



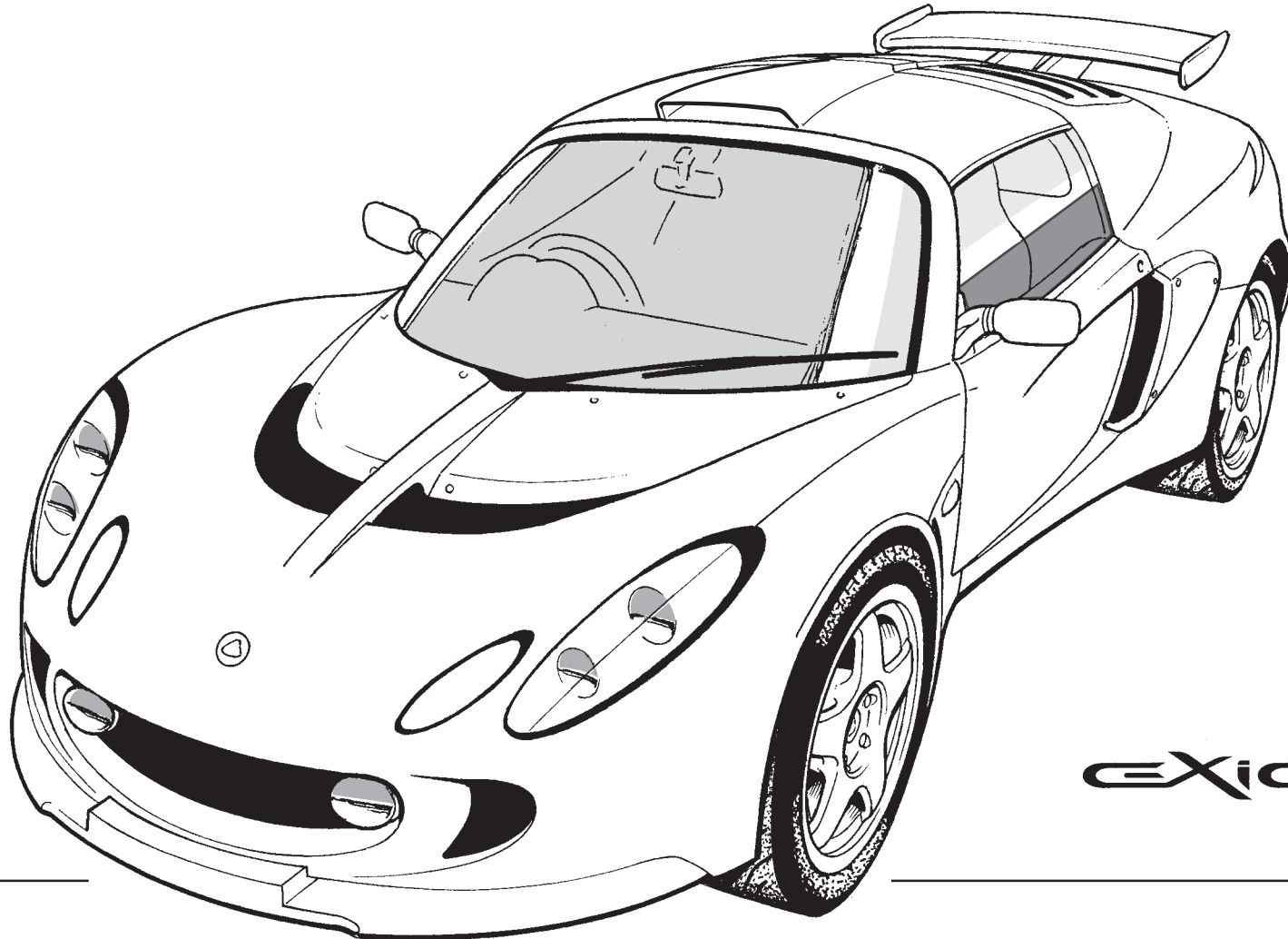
Function Code 46.10a Intercooler & Ducting

<u>Dep</u>	<u>Part Description</u>	<u>Remarks</u>	<u>Option</u>	<u>Part Number</u>	<u>Qty</u>
01	Intercooler			BLS3E0046F	1
02	Bracket, intercooler mounting, LH			CLS3E0048F	1
03	Bracket, intercooler mounting, RH			BLS3E0047F	1
04	Isolation Bush	Includes nuts & washers		ALS3E6059F	4
05	Bolt, M8 x 25, flg. hex. hd., bracket fixing			A120E6324S	2
06	Duct, bellows to intercooler			ALS3E0053F	1
07	Sealing Bellows, intercooler to duct			ALS3E0049F	1
08	Duct, roof panel to bellows			ALS3E0052F	1
09	Retaining Clamp, bellows			BLS3E0050F	2
10	Bolt, M6, hex.hd., bracket fix.			ALS3E6067F	1
11	Tape, double sided, bellows to ducts	In four positions		C075U6071V	As req.



EXIGE SERVICE PARTS LIST SUPPLEMENT

Exige Cup 255 + British GT Special Edition



EXIGE

Technical Publications, Lotus Cars Limited, Hethel, Norwich, Norfolk, NR14 8EZ. England.

Telephone 01953 608000 www.lotuscars.com

© Lotus Cars Ltd. 2007

Part Number A120T0325/07/02

Updated 9th June 2011

Exige Cup 255 + British GT Special Edition

Contents

12.00 Exterior Fittings

12.04x Roof Panel, Seals & Fittings, Exige

12.05x Decals, Badges & Protective Film

17.00 Electrical

17.06 Engine Management & Sensors

33.00 Brakes

33.01 Brake Discs & Calipers

42.00 Induction Systems

42.01 Airboxes, Trunking & Air Filters

42.05 Fuel Injection System

44.00 Fuel System

44.03 Fuel Pump, Filters, Pipes

46.00 Cooling

46.10a Intercooler & Ducting

Service Parts List Supplement *Exige Cup 255 + British GT Special Edition*



<u>Func. Code</u>	<u>Part Description</u>	<u>Remarks</u>	<u>Option</u>	<u>Part Number</u>	<u>Qty</u>
12.04x	Roof Panel, enlarged roof duct		Cup 255, painted	ALS3B0129F	1
12.05x	Decal, sill, RH, race suppliers GT3		GT Special Edition	ALS3U0030F	1
12.05x	Decal, sill, LH, race suppliers GT3		GT Special Edition	ALS3U0031F	1
12.05x	Decal, Lotus Sport Cadena, RH		GT Special Edition	ALS3U0032F	1
12.05x	Decal, Lotus Sport Cadena, LH		GT Special Edition	ALS3U0033F	1
12.05x	Decal, British GT, number ID	Contact Aftersales	GT Special Edition	ALS3U0034F	2
12.05x	Decal, British GT, rear clamshell, union jack 2006 GT3		GT Special Edition	ALS3U0035F	1
12.05x	Decal, windscreen, 'Lotus Sport'		GT Special Edition	ALS3U0021F	1
12.05x	Badge, union jack, rear clamshell		Cup 255	A132U0995S	1
12.05x	Decal, Cup 255, rear, black		Cup 255	ALS3U0036F	1
12.05x	Decal, Cup 255, rear, yellow/silver		Cup 255	ALS3U0037F	1
17.06	Electronic Control Module (ECM), Cup 255 S/C	Euro road car	Cup 255	ALS3M0240F	1
17.06	Electronic Control Module (ECM), Cup 255 S/C	Federal track car	Cup 255	ALS3M0239F	1
33.01	Upated Brake Kit		GT Special Edition	DLS3J0040F	1
33.01	Brake Pad Set, front, Pagid RS14		GT Special Edition	ALS3J0048F	1
33.01	Bolt Kit		GT Special Edition	ALS3J0049F	2
33.01	Banjo, female adaptor		GT Special Edition	ALS3J0050F	2
33.01	Banjo Bolt, single, to suit caliper		GT Special Edition	ALS3J0051F	4
33.01	Washer, banjo sealing		GT Special Edition	ALS3J0052F	1
33.01	Caliper, front, RH		GT Special Edition	ALS3J0095F	1
33.01	Caliper, front, LH		GT Special Edition		1

Service Parts List Supplement *Exige Cup 255 + British GT Special Edition*



<u>Func. Code</u>	<u>Part Description</u>	<u>Remarks</u>	<u>Option</u>	<u>Part Number</u>	<u>Qty</u>
33.01	Bell, disc to hub		GT Special Edition	BLS3J0097F	2
33.01	Bracket, front caliper mounting		GT Special Edition	ALS3J0098F	2
33.01	Bolt, caliper to bracket		GT Special Edition	ALS3J0099F	4
33.01	Bolt, caliper to hub carrier		GT Special Edition	ALS30111FJ	4
33.01	Disc, front, cross drilled, RH		GT Special Edition	ALS3J0100F	1
33.01	Disc, front, cross drilled, LH		GT Special Edition	ALS3J0101F	1
42.01	Airbox, lower, NA upgrade kit		Cup 255	ALS3E0157F	1
42.01	Air Filter, NA upgrade kit		Cup 255	ALS3E0158F	1
42.05	Fuel Injector		Cup 255	A129E6000F	4
44.03	Fuel Pump, high flow		Cup 255	ALS3L0041F	1
44.03	Retainer Cap, high flow pump		Cup 255	BLS3L0040F	1
46.10a	Intercooler, increased cooling		Cup 255	ALS3E0169F	1
46.10a	Bracket, intercooler mounting, LH		Cup 255	ALS3E0170F	1
46.10a	Bracket, intercooler mounting, RH		Cup 255	ALS3E0171F	1
46.10a	Duct, bellows to intercooler		Cup 255	ALS3E0175F	1